



US00D662816S

(12) **United States Design Patent**  
**Notarianni**

(10) **Patent No.:** **US D662,816 S**

(45) **Date of Patent:** **\*\* Jul. 3, 2012**

(54) **TRIGGER SPRAYER**

(75) Inventor: **George L. Notarianni**, Farmington Hills, MI (US)

(73) Assignee: **Tolco Corporation**, Toledo, OH (US)

(\*\*) Term: **14 Years**

(21) Appl. No.: **29/373,568**

(22) Filed: **Apr. 28, 2011**

(51) **LOC (9) Cl.** ..... **09-07**

(52) **U.S. Cl.** ..... **D9/448**

(58) **Field of Classification Search** ..... D9/692,  
D9/685, 682, 669, 667, 631, 451, 450, 448,  
D9/434, 432, 430, 414; D23/226, 225; 239/526,  
239/492, 333, 112; 222/402.15, 402.13,  
222/383.1, 334, 331, 321.8, 182  
See application file for complete search history.

(56) **References Cited**

**U.S. PATENT DOCUMENTS**

D373,312 S \* 9/1996 Lin ..... D9/448  
D417,151 S 11/1999 Spengler

D428,811 S 8/2000 Spengler  
D447,415 S 9/2001 Spengler  
D451,388 S 12/2001 Spengler  
D475,294 S \* 6/2003 Foster et al. .... D9/448  
D546,683 S \* 7/2007 Yang ..... D9/448  
D550,079 S \* 9/2007 Yang ..... D9/448

\* cited by examiner

*Primary Examiner* — Susan Bennett Hattan

(74) *Attorney, Agent, or Firm* — Emch, Schaffer, Schaub & Porcello, Co. L.P.A.

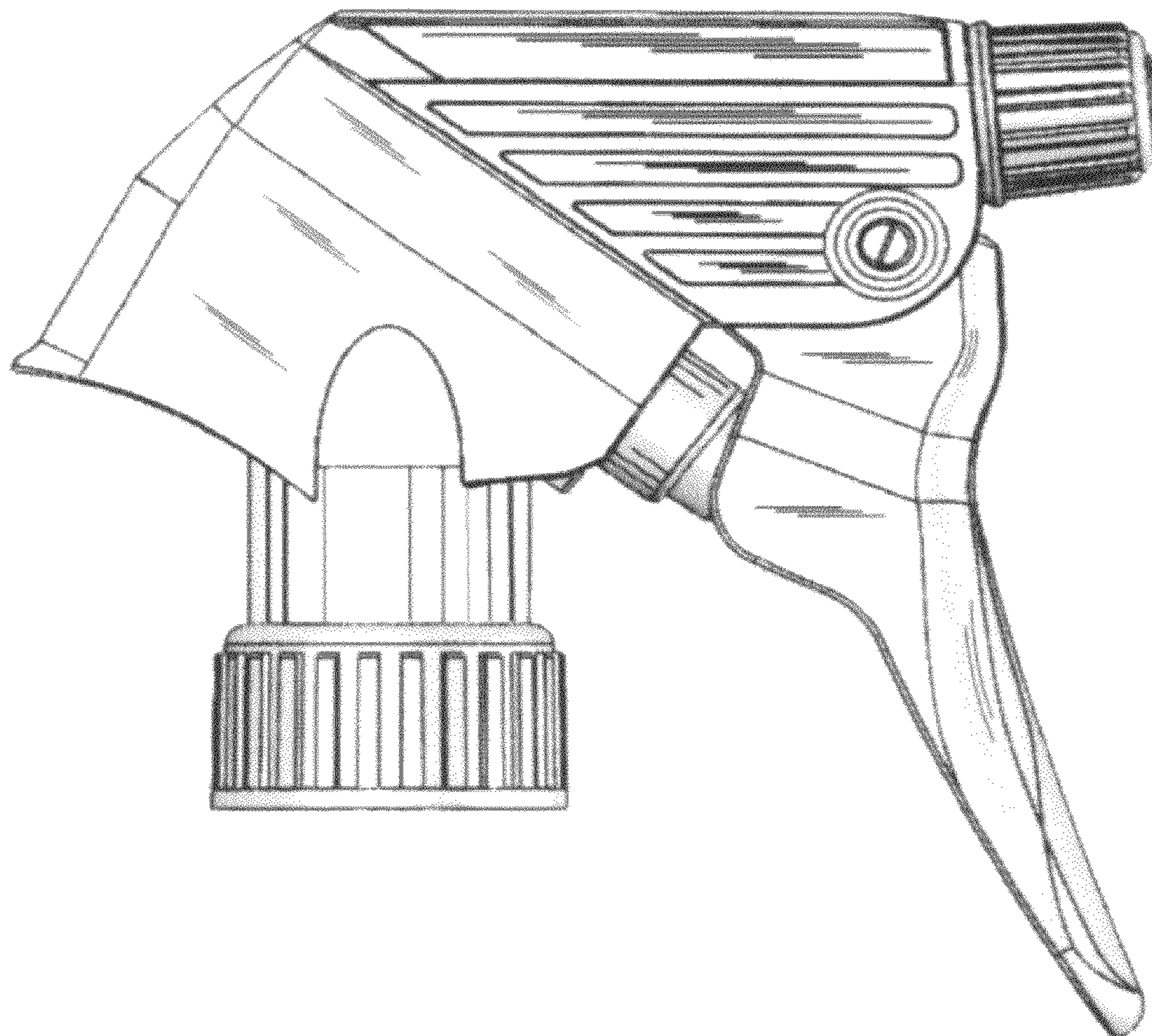
(57) **CLAIM**

An ornamental design for a trigger sprayer, as shown and described.

**DESCRIPTION**

FIG. 1 is a right side elevation view of the present design, the left side being a mirror image of the right side;  
FIG. 2 is a rear elevation view;  
FIG. 3 is a front elevation view;  
FIG. 4 is a top elevation view; and,  
FIG. 5 is a bottom elevation view.

**1 Claim, 2 Drawing Sheets**





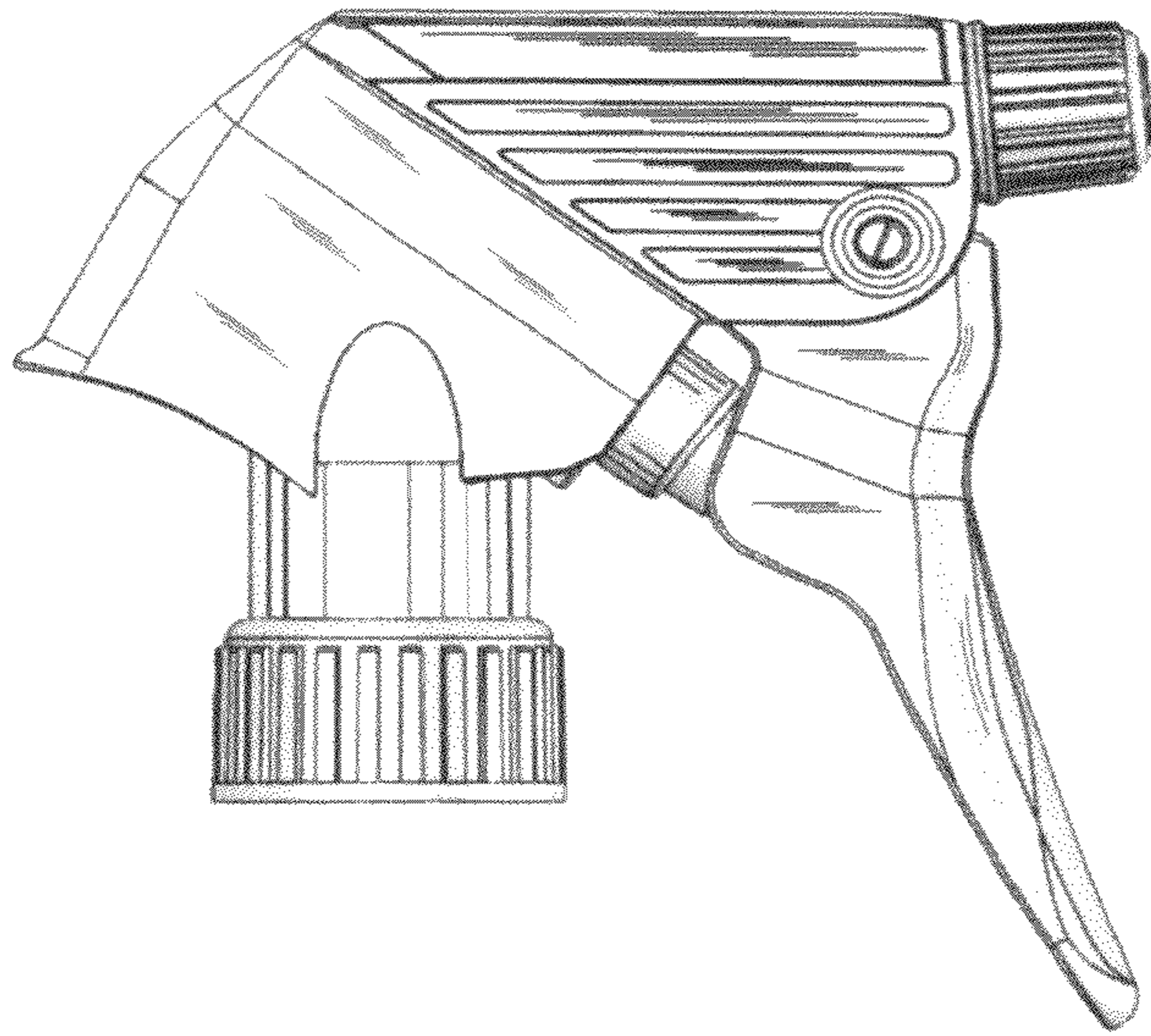


FIG. 1

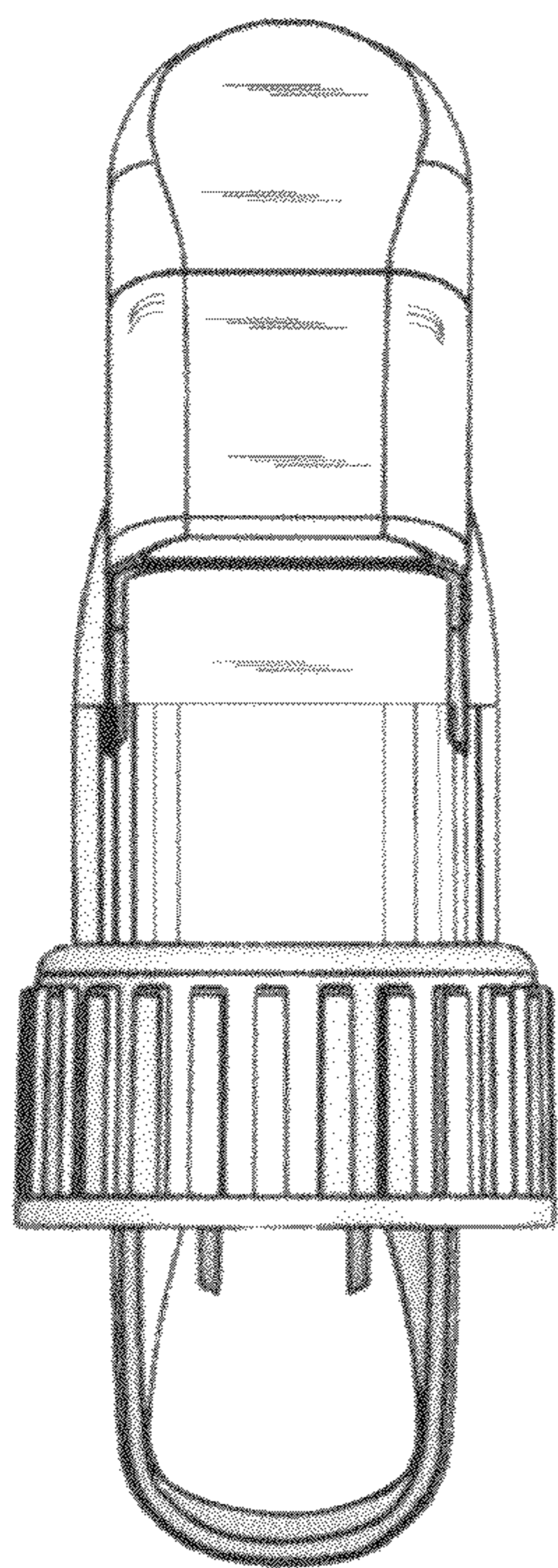


FIG. 2

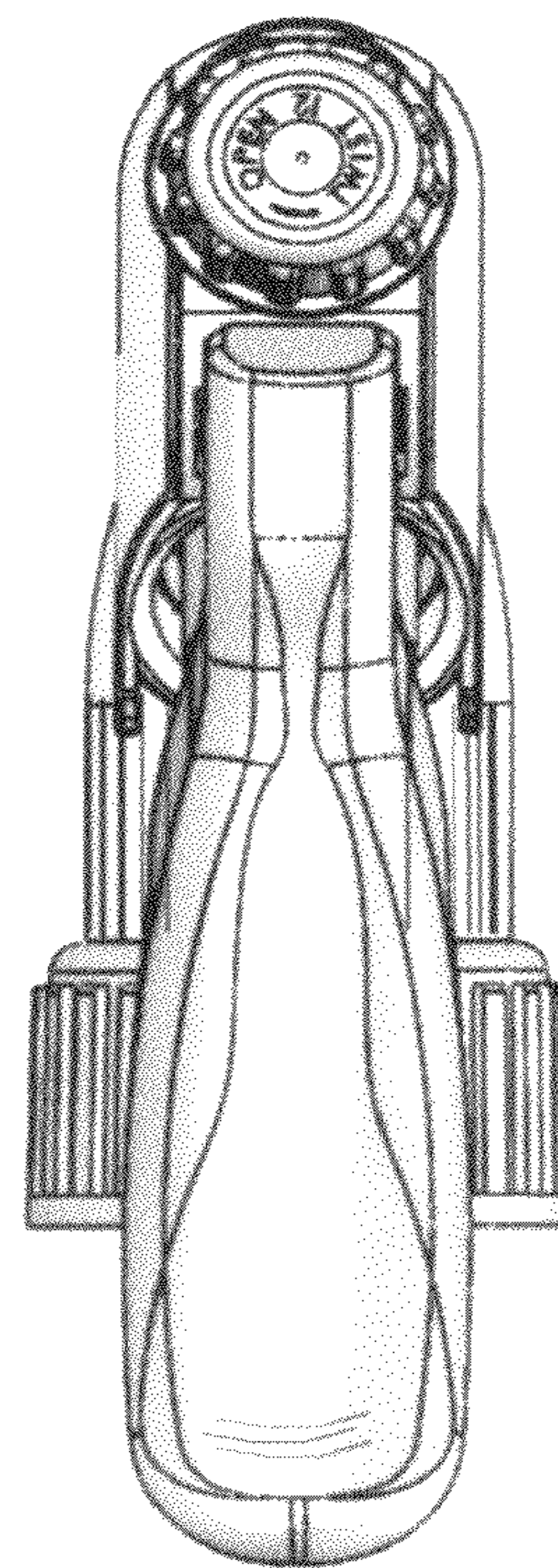


FIG. 3



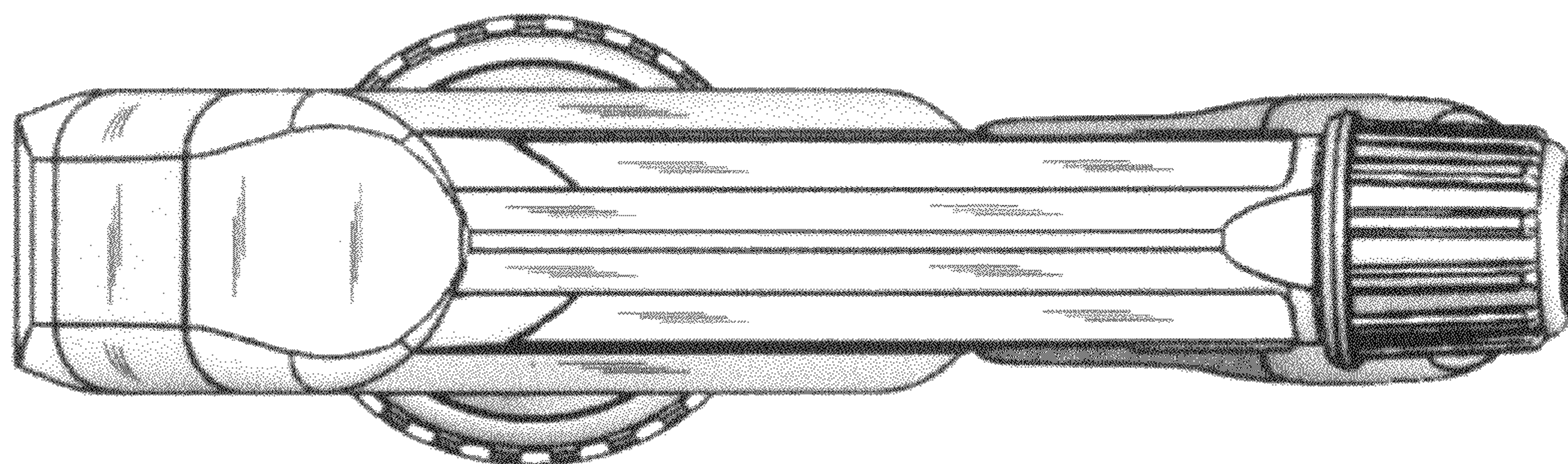


FIG. 4

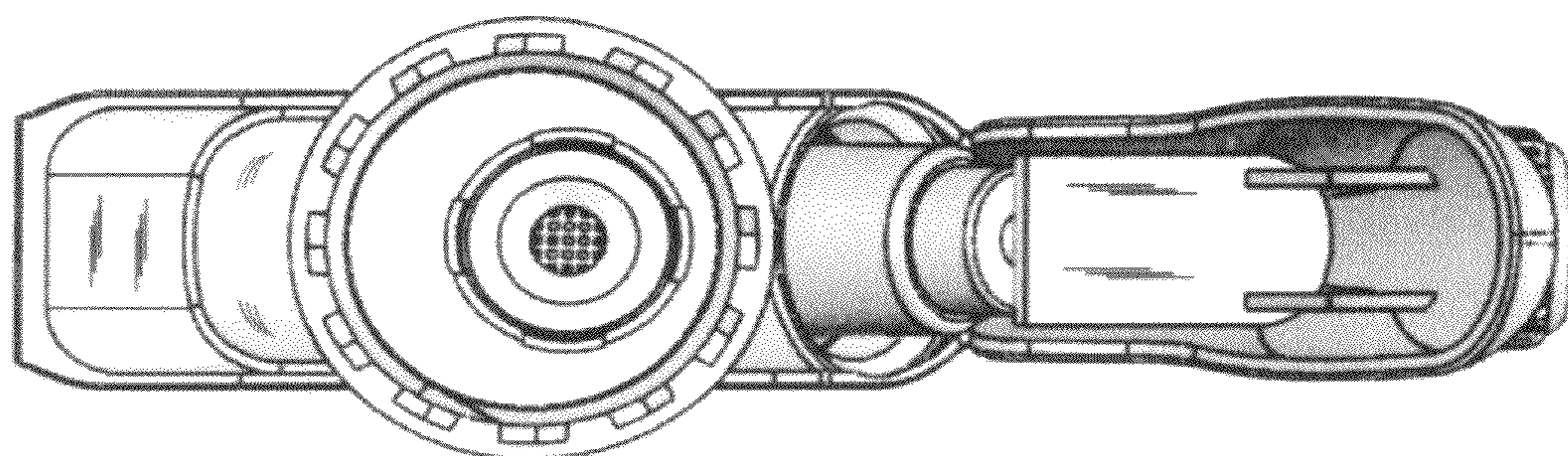


FIG. 5