

US00D662815S

(12) **United States Design Patent**
Methe et al.

(10) **Patent No.:** **US D662,815 S**
(45) **Date of Patent:** **** Jul. 3, 2012**

(54) **DISPLAY PACKAGE**

(75) Inventors: **Jean Mary Methe**, Bethel, CT (US);
Brice Daniel Westring, Bethel, CT
(US); **Arseni Valerevich Radomyselski**,
Ridgefield, CT (US); **Terry Lee**
Hamilton, Danbury, CT (US); **Michael**
J. Zuraw, Bethel, CT (US)

(73) Assignee: **The Gillette Company**, Boston, MA
(US)

(**) Term: **14 Years**

(21) Appl. No.: **29/407,101**

(22) Filed: **Nov. 22, 2011**

Related U.S. Application Data

(62) Division of application No. 29/362,960, filed on Jun. 2,
2010, now Pat. No. Des. 651,509.

(51) **LOC (9) Cl.** **09-07**

(52) **U.S. Cl.** **D9/434; D9/457**

(58) **Field of Classification Search** D9/682,
D9/600, 457, 454, 441, 434, 432, 430, 415,
D9/414, 418, 704, 552, 551, 669, 750; D11/95;
D5/56; D20/40, 36, 28, 27, 26, 22, 11; D14/492,
D14/489, 486; 715/976, 840, 764, 715; 229/923,
229/922, 87.19, 116.5, 116.1, 100; 220/694,
220/376

See application file for complete search history.

(56) **References Cited**

U.S. PATENT DOCUMENTS

D146,109	S	*	12/1946	Jones	D20/11
D543,992	S	*	6/2007	Vigesaa	D14/487
D550,689	S	*	9/2007	Vigesaa	D14/487
D596,195	S	*	7/2009	Wall et al.	D14/489
D606,092	S	*	12/2009	Danton	D14/489
D641,621	S	*	7/2011	Kusumi et al.	D9/432
D643,071	S	*	8/2011	Fiero	D20/27
D648,804	S	*	11/2011	Coulter	D20/11

* cited by examiner

Primary Examiner — Susan Bennett Hattan

(74) *Attorney, Agent, or Firm* — Vladimir Vitenberg

(57) **CLAIM**

The ornamental design for a display package, as shown and described.

DESCRIPTION

FIG. 1 is a perspective view of a display package, showing our new ornamental design;

FIG. 2 is a front view thereof;

FIG. 3 is a back view thereof;

FIG. 4 is a left-side view thereof;

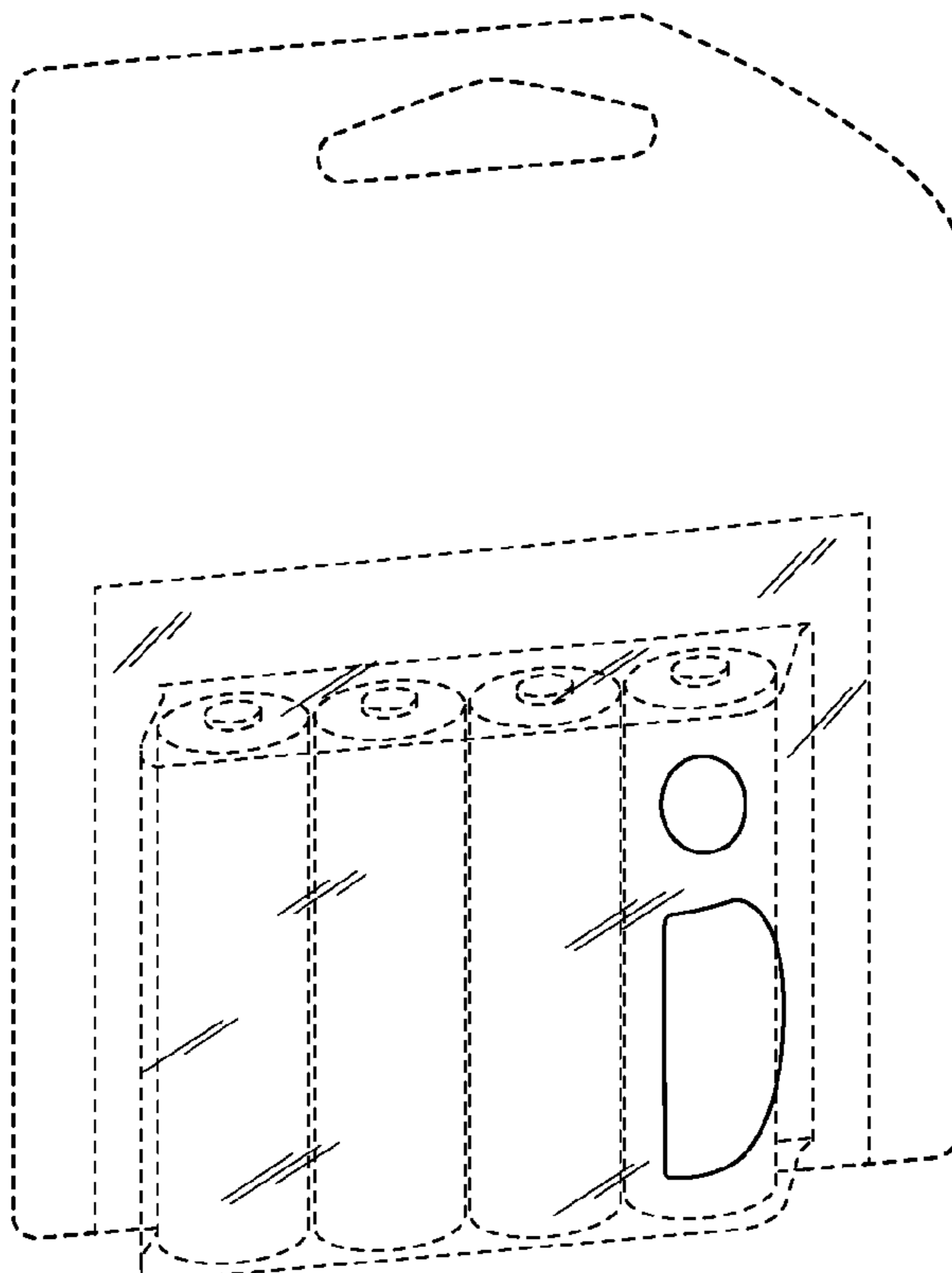
FIG. 5 is a right-side view thereof;

FIG. 6 is a top view thereof; and,

FIG. 7 is a bottom view thereof.

The dashed/dotted and broken lines depict environmental subject matter only and form no part of the claimed design.

1 Claim, 2 Drawing Sheets



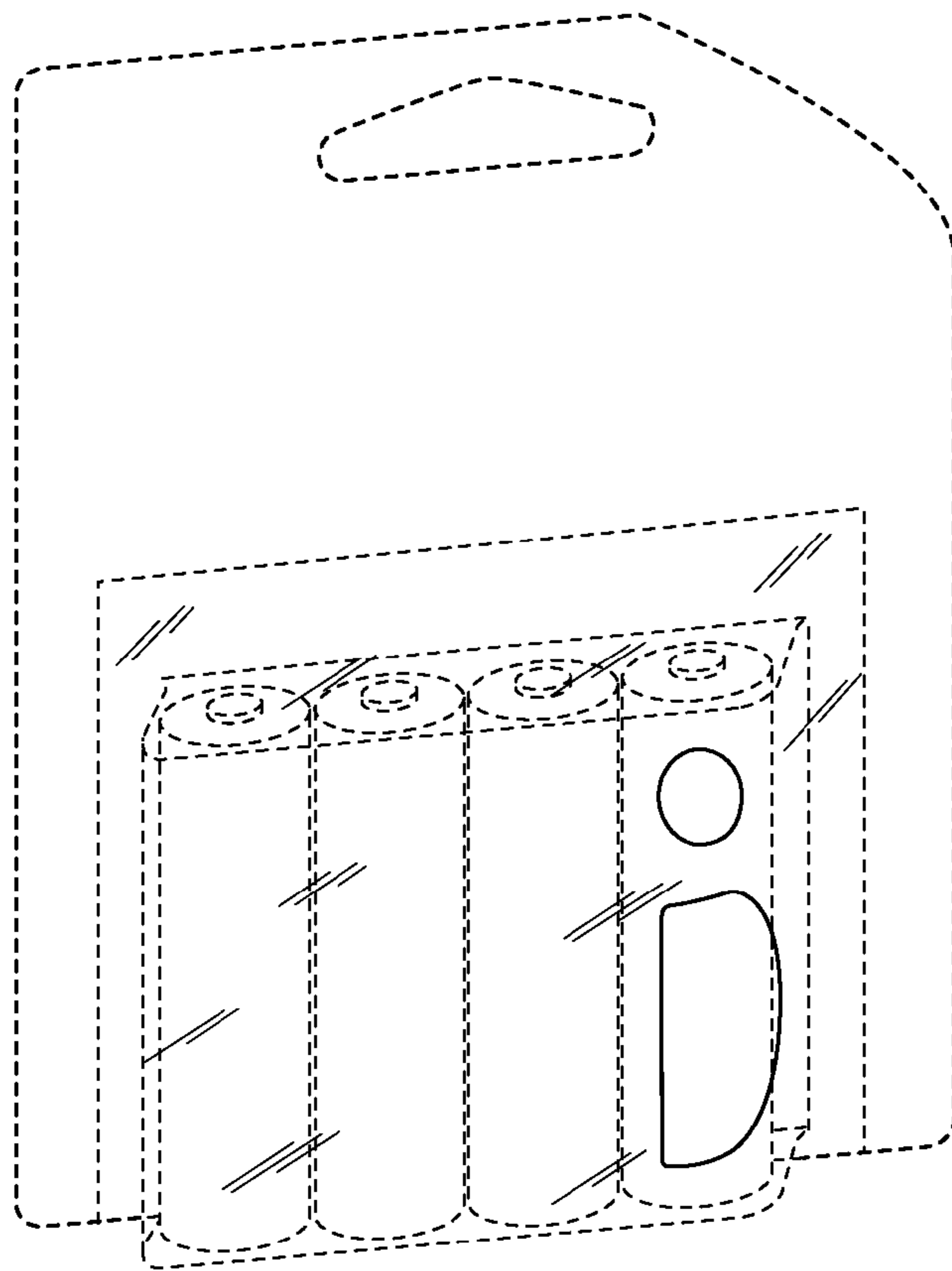


Fig. 1

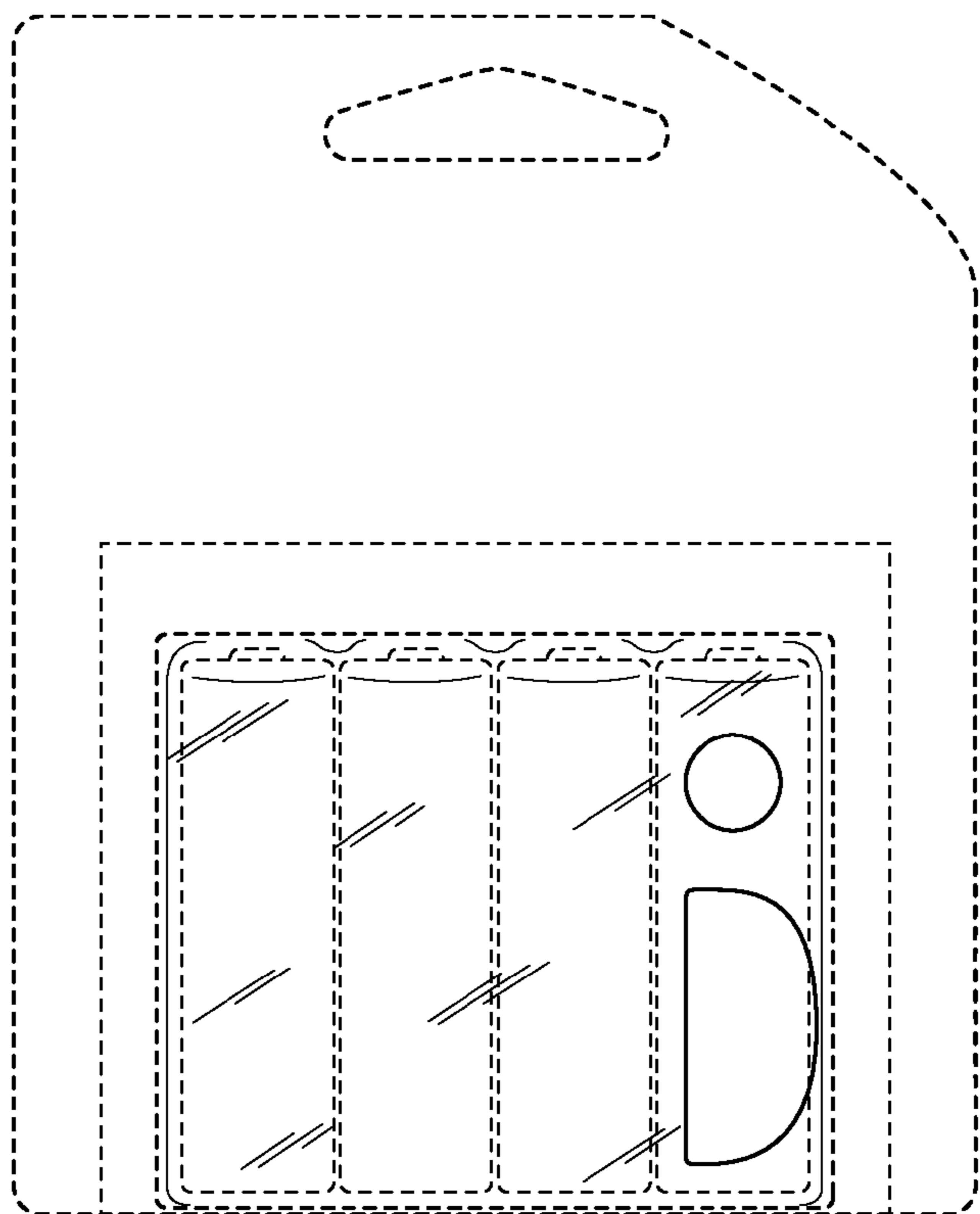


Fig. 2

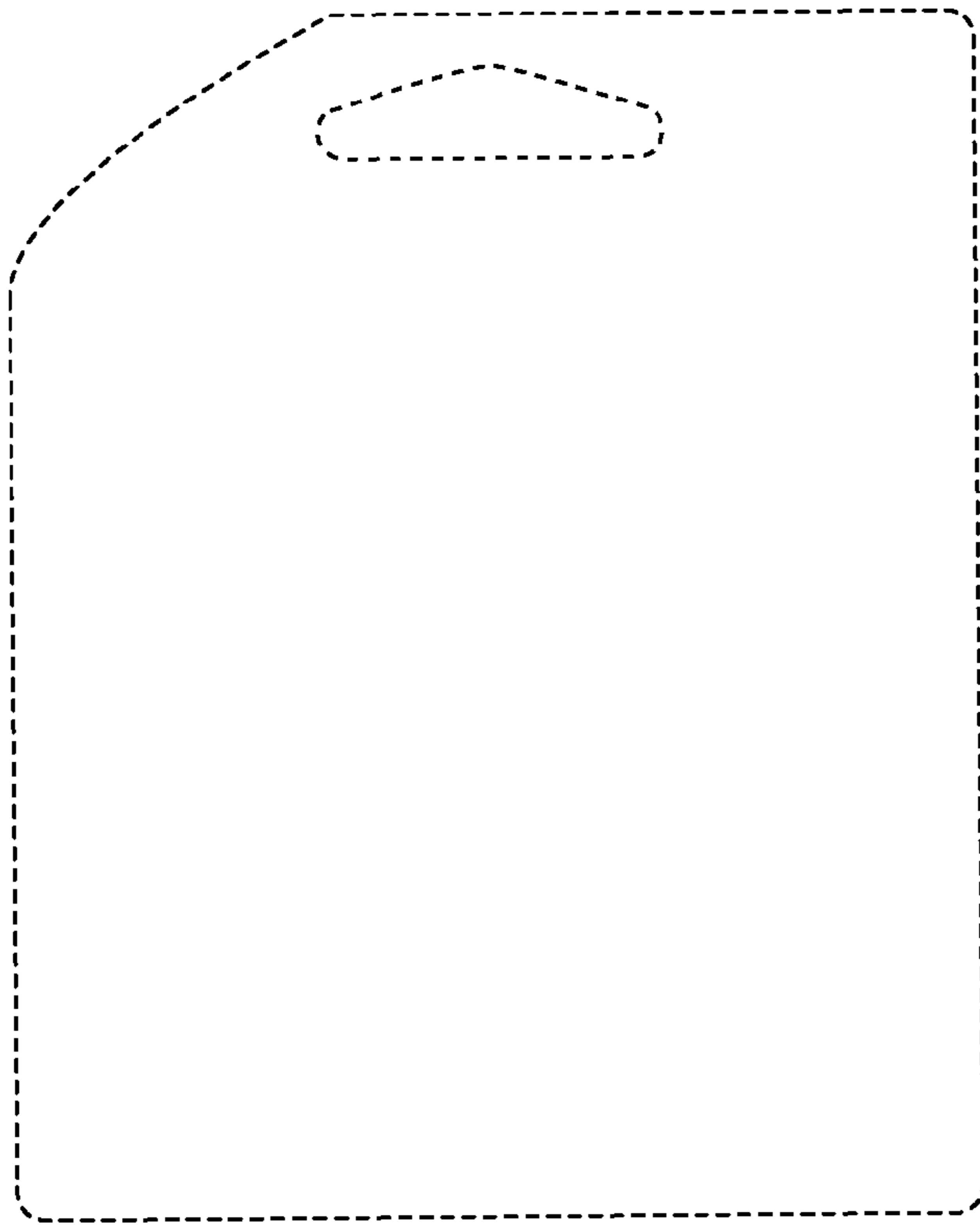


Fig. 3



Fig. 4



Fig. 5

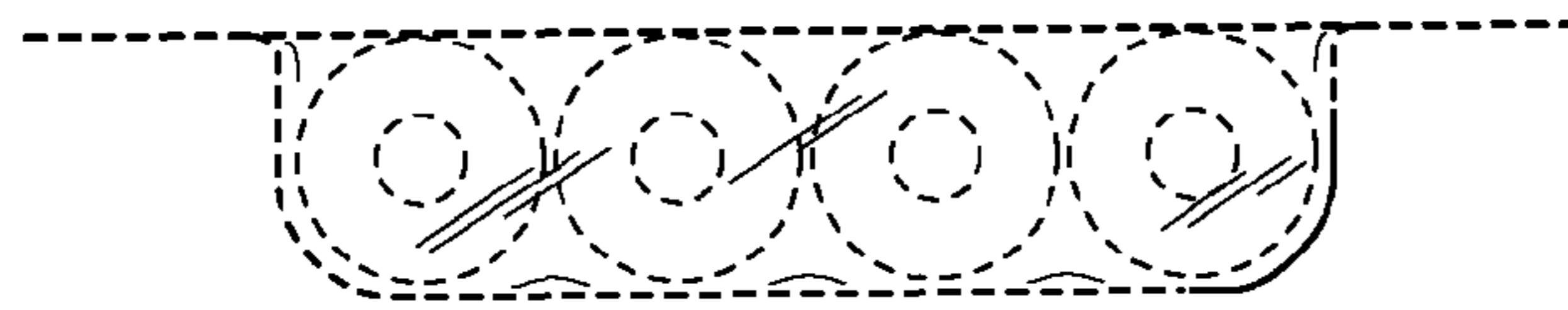


Fig. 6

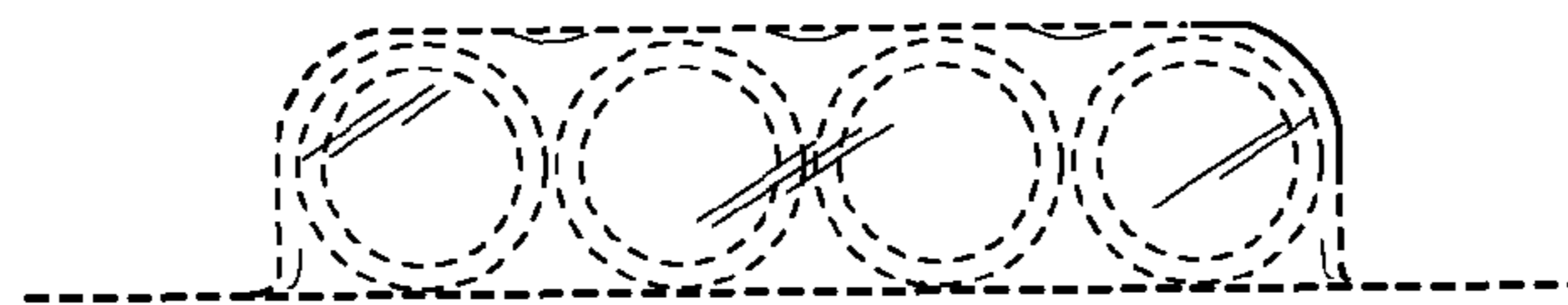


Fig. 7