

US00D662813S

(12) **United States Design Patent**
Czarny et al.

(10) **Patent No.:** **US D662,813 S**
(45) **Date of Patent:** **** Jul. 3, 2012**

(54) **PACKAGING FOR FOOD PRODUCT**

(75) Inventors: **Jeffrey Anthony Czarny**, Schaumburg, IL (US); **Benjamin M. Cichowski**, Naperville, IL (US)

(73) Assignee: **Sara Lee Corporation**, Downers Grove, IL (US)

(**) Term: **14 Years**

(21) Appl. No.: **29/409,413**

(22) Filed: **Dec. 22, 2011**

(51) **LOC (9) Cl.** **09-03**

(52) **U.S. Cl.** **D9/425; D9/710; D9/761**

(58) **Field of Classification Search** D9/414, D9/415, 416, 418, 424, 425, 430, 432, 707, D9/761; 206/528, 531; 220/9.1, 9.4, 890

See application file for complete search history.

(56) **References Cited**

U.S. PATENT DOCUMENTS

3,615,711	A	10/1971	Markus et al.	
3,929,699	A	12/1975	Bernholz	
D253,515	S *	11/1979	Meierhoefer	D9/415
4,720,410	A	1/1988	Lundquist et al.	
4,786,513	A	11/1988	Monforton et al.	
4,861,957	A	8/1989	Welles	
4,911,938	A	3/1990	Fisher et al.	
4,961,944	A	10/1990	Matoba et al.	
5,002,782	A	3/1991	Oberle	
5,039,001	A	8/1991	Kinigakis et al.	
5,345,069	A	9/1994	Grindrod	
5,376,392	A	12/1994	Ikegami et al.	
5,573,693	A	11/1996	Lorence et al.	
5,622,432	A	4/1997	Zicker	
6,003,114	A	12/1999	Bachmat	
6,021,624	A	2/2000	Richison et al.	
6,060,096	A	5/2000	Hanson et al.	
6,100,513	A	8/2000	Jackson et al.	
6,380,524	B1	4/2002	Keller	
6,396,036	B1	5/2002	Hanson	
6,485,177	B2	11/2002	Bell	
D472,805	S *	4/2003	Jowett	D9/428
D473,138	S *	4/2003	Jowett	D9/425
D473,139	S *	4/2003	Jowett	D9/425

D479,127	S *	9/2003	Jowett	D9/425
D479,128	S *	9/2003	Jowett	D9/425
D485,942	S *	1/2004	McLeish	D28/8.1
6,726,364	B2	4/2004	Perell et al.	
6,803,113	B2	10/2004	Porter et al.	
6,818,873	B2	11/2004	Savage et al.	

(Continued)

OTHER PUBLICATIONS

U.S. Appl. No. 12/943,769, filed Nov. 10, 2010, Cichowski, Benjamin M. et al.

(Continued)

Primary Examiner — Thomas Johannes

(74) *Attorney, Agent, or Firm* — Foley & Lardner LLP

(57) **CLAIM**

We claim the ornamental design for packaging for food product, as shown and described.

DESCRIPTION

FIG. 1 is a top perspective view of a first embodiment of packaging for food product, showing our new design;

FIG. 2 is a bottom view thereof;

FIG. 3 is a top view thereof;

FIG. 4 is a front view thereof;

FIG. 5 is a rear view thereof;

FIG. 6 is a right side view thereof;

FIG. 7 is a left side view thereof;

FIG. 8 is a top perspective view of the claimed design shown in FIGS. 1-7 but without the food included as unclaimed environment;

FIG. 9 is a top perspective view of a second embodiment of packaging for food product, showing our new design;

FIG. 10 is a bottom view thereof;

FIG. 11 is a top view thereof;

FIG. 12 is a front view thereof;

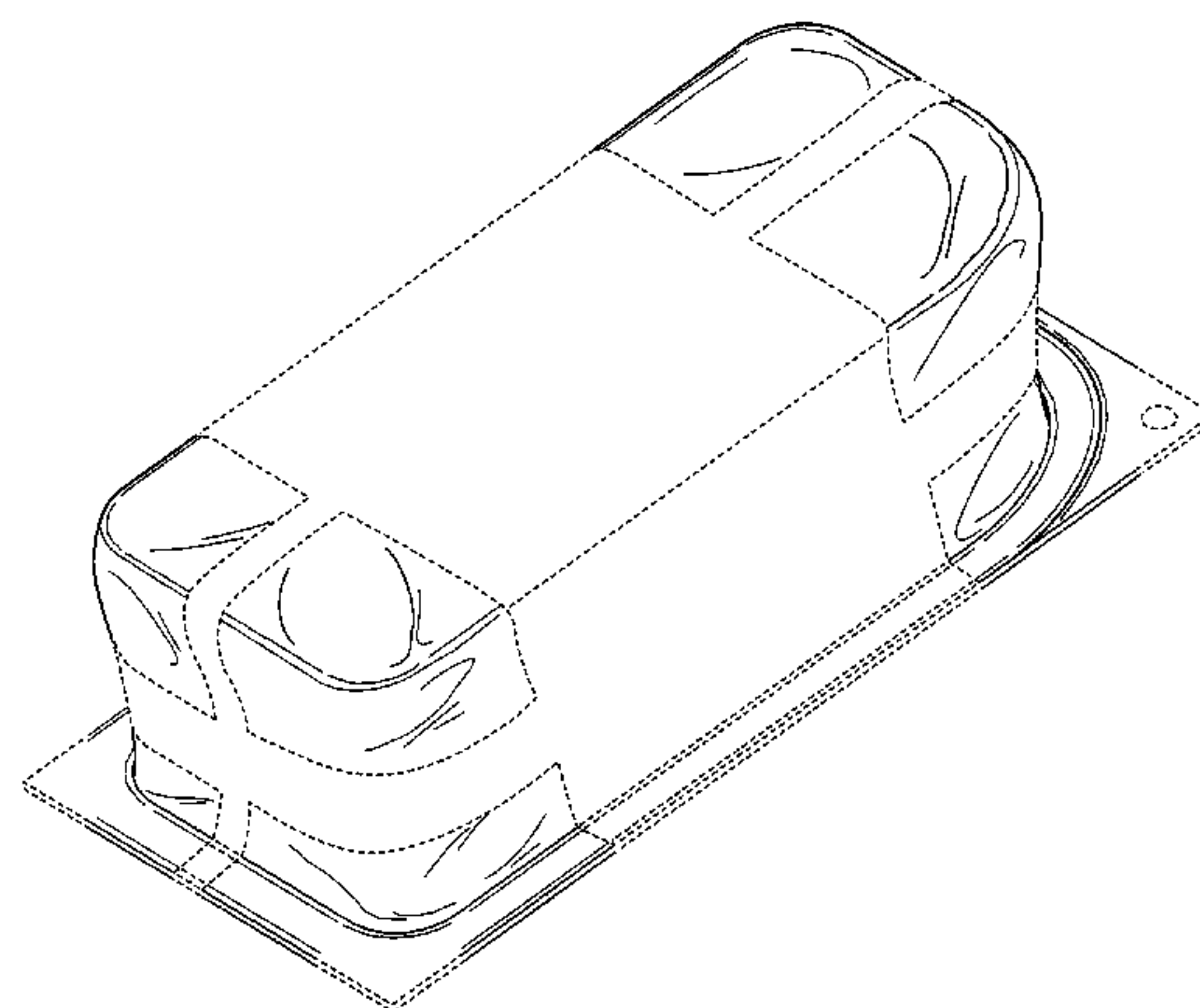
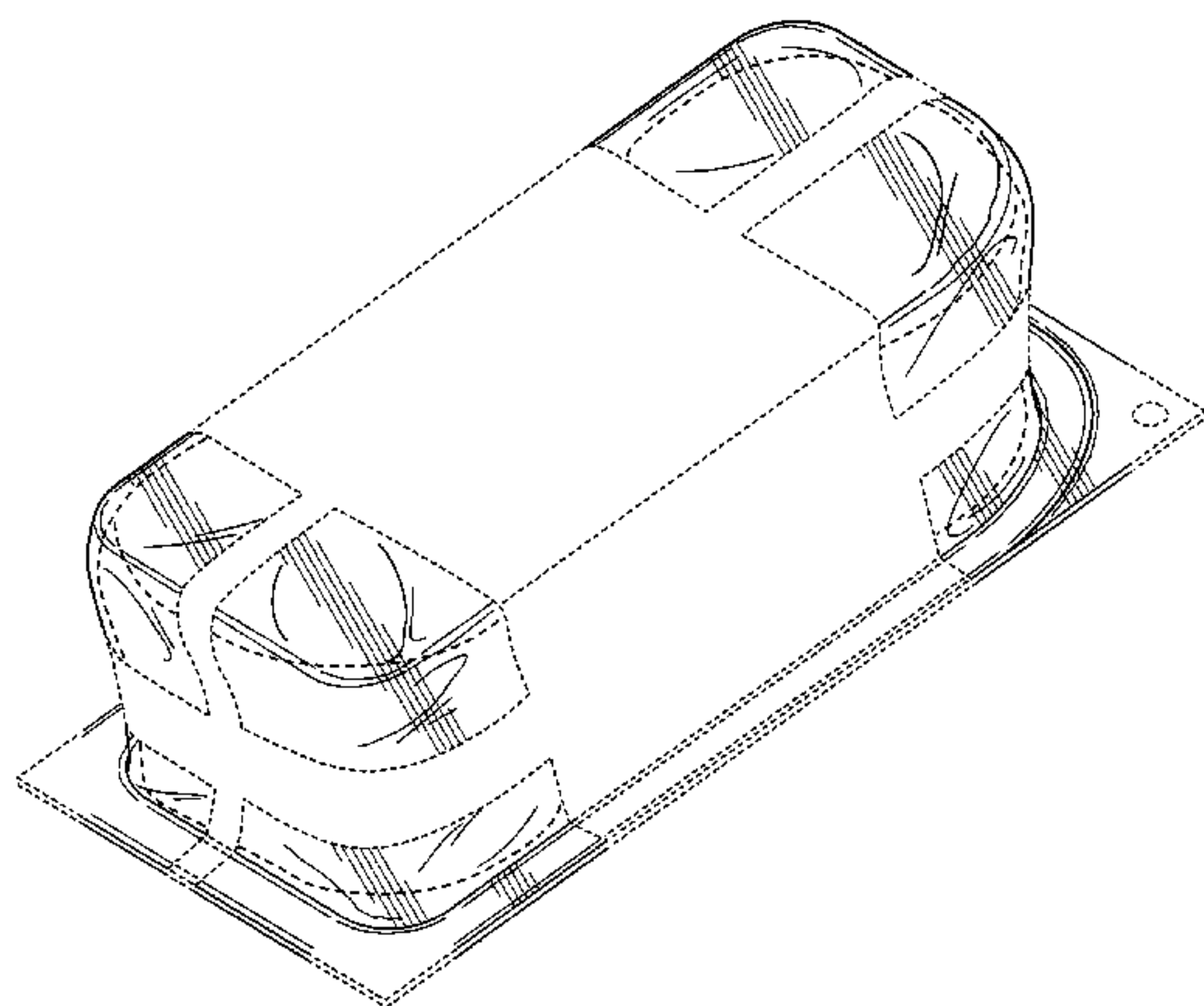
FIG. 13 is a rear view thereof;

FIG. 14 is a right side view thereof; and,

FIG. 15 is a left side view thereof.

The broken line portion of the figure drawings is included to show unclaimed subject matter only and forms no part of the claimed design. FIGS. 1, and, 3 through 7, show food as unclaimed internal environment in a typical usage condition.

1 Claim, 11 Drawing Sheets



US D662,813 S

Page 2

U.S. PATENT DOCUMENTS

7,014,363 B2 3/2006 Hanson
D537,201 S * 2/2007 McLeish et al. D28/8.1
D564,899 S * 3/2008 Hardy D9/715
7,381,453 B2 6/2008 Okhai
D584,141 S * 1/2009 Smith et al. D9/425
D639,182 S * 6/2011 Nixon D9/707
D640,934 S * 7/2011 Nixon D9/707
D649,710 S * 11/2011 Mehdizadeh D28/8.1
D655,154 S * 3/2012 Amos et al. D9/425

2004/0023000 A1 2/2004 Young et al.
2004/0252921 A1 12/2004 Winiarski et al.
2005/0255200 A1 11/2005 Takahagi et al.

OTHER PUBLICATIONS

U.S. Appl. No. 61/453,875, filed Mar. 17, 2011, Cichowski, Benjamin M. et al.
U.S. Appl. No. 61/460,750, filed Feb. 24, 2011, Cichowski, Benjamin M. et al.

* cited by examiner

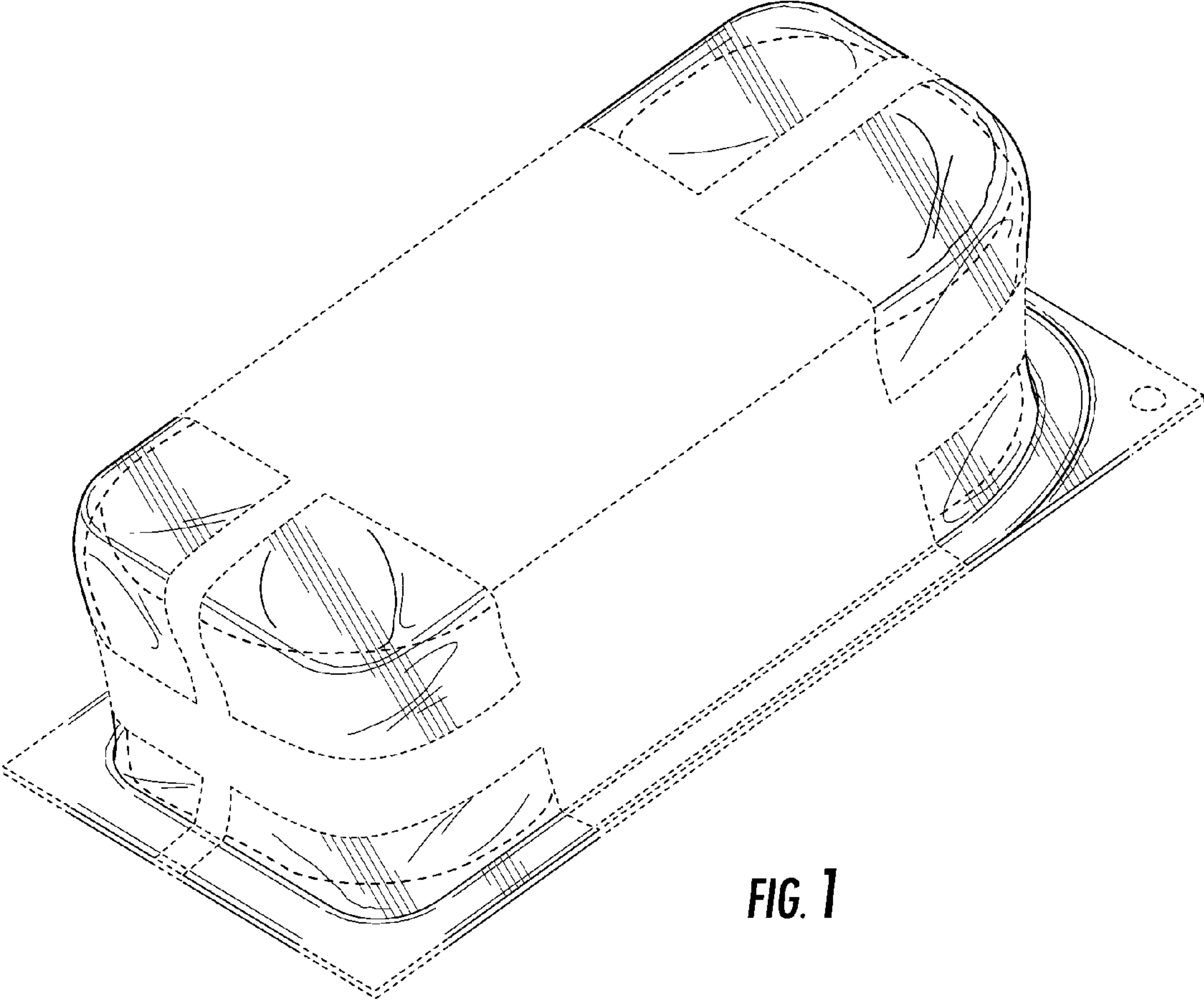


FIG. 1

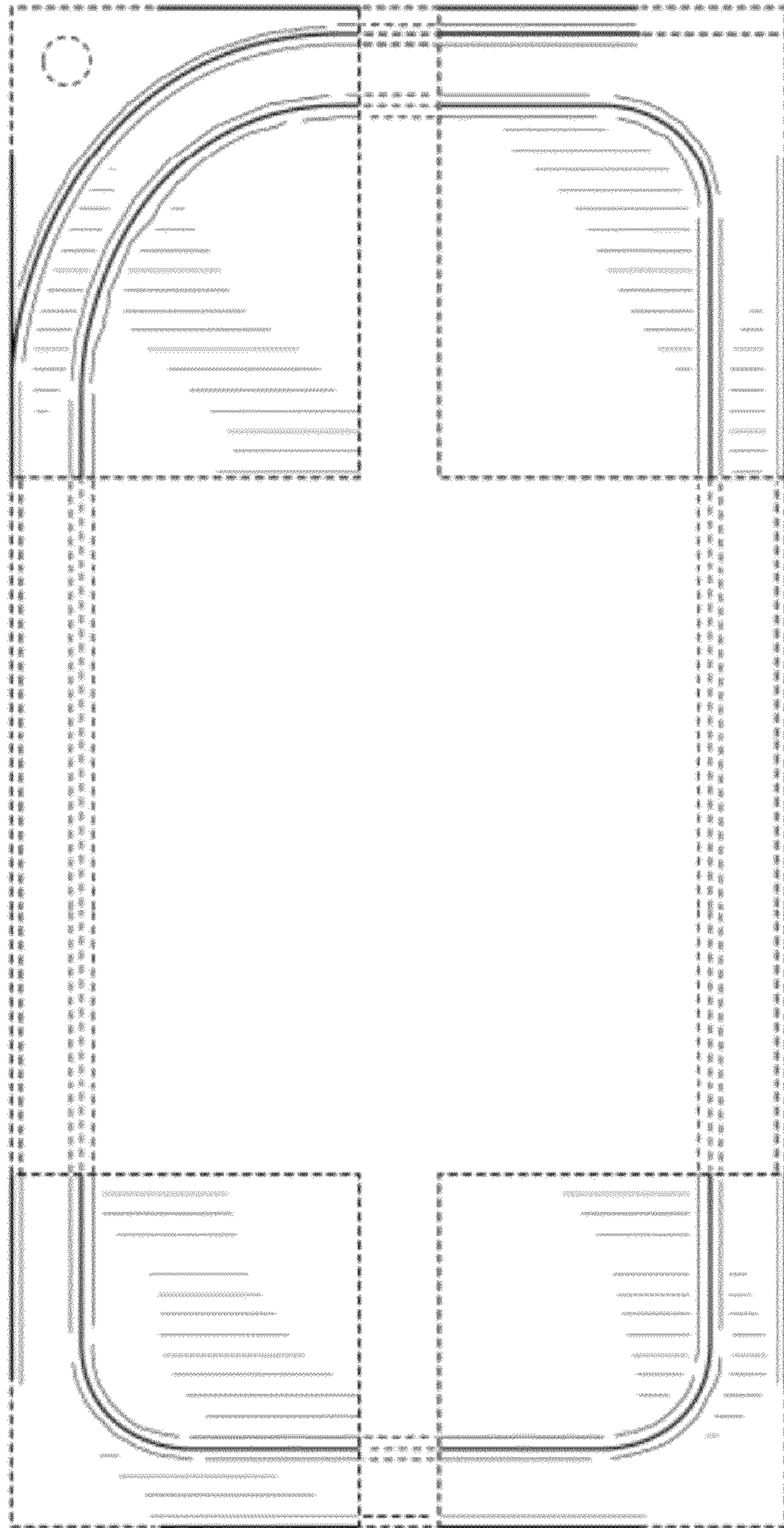


FIG. 2

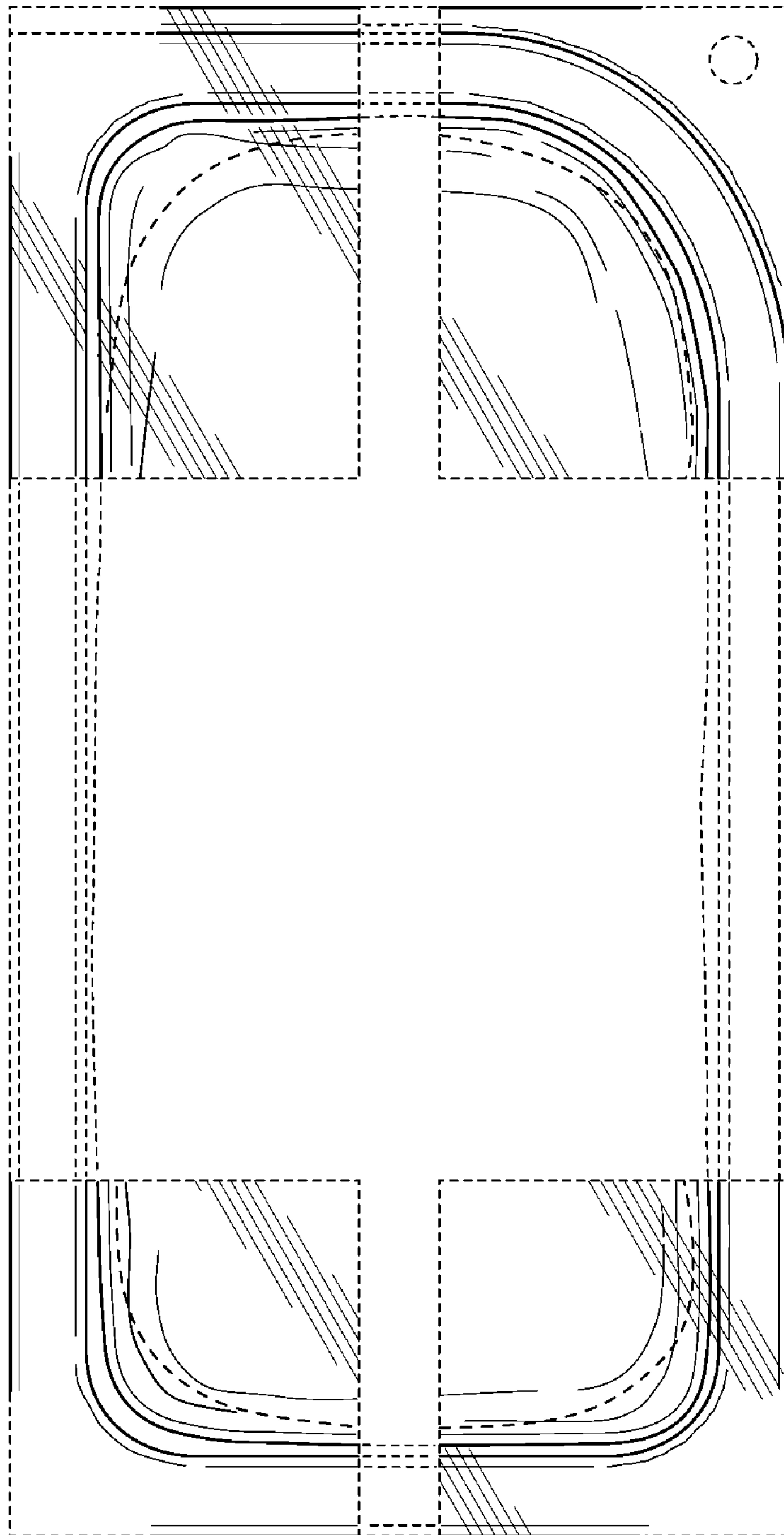


FIG. 3

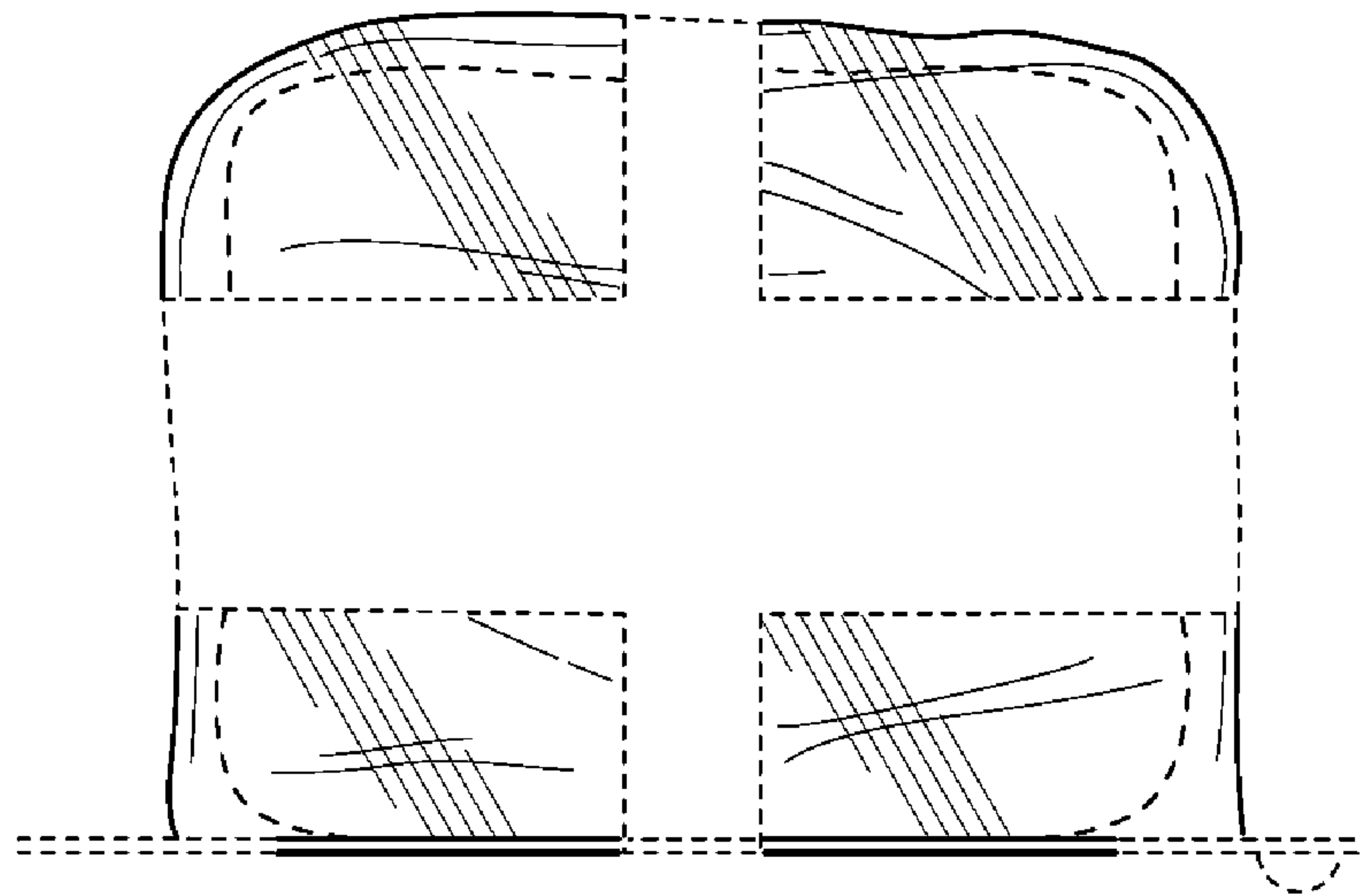


FIG. 4

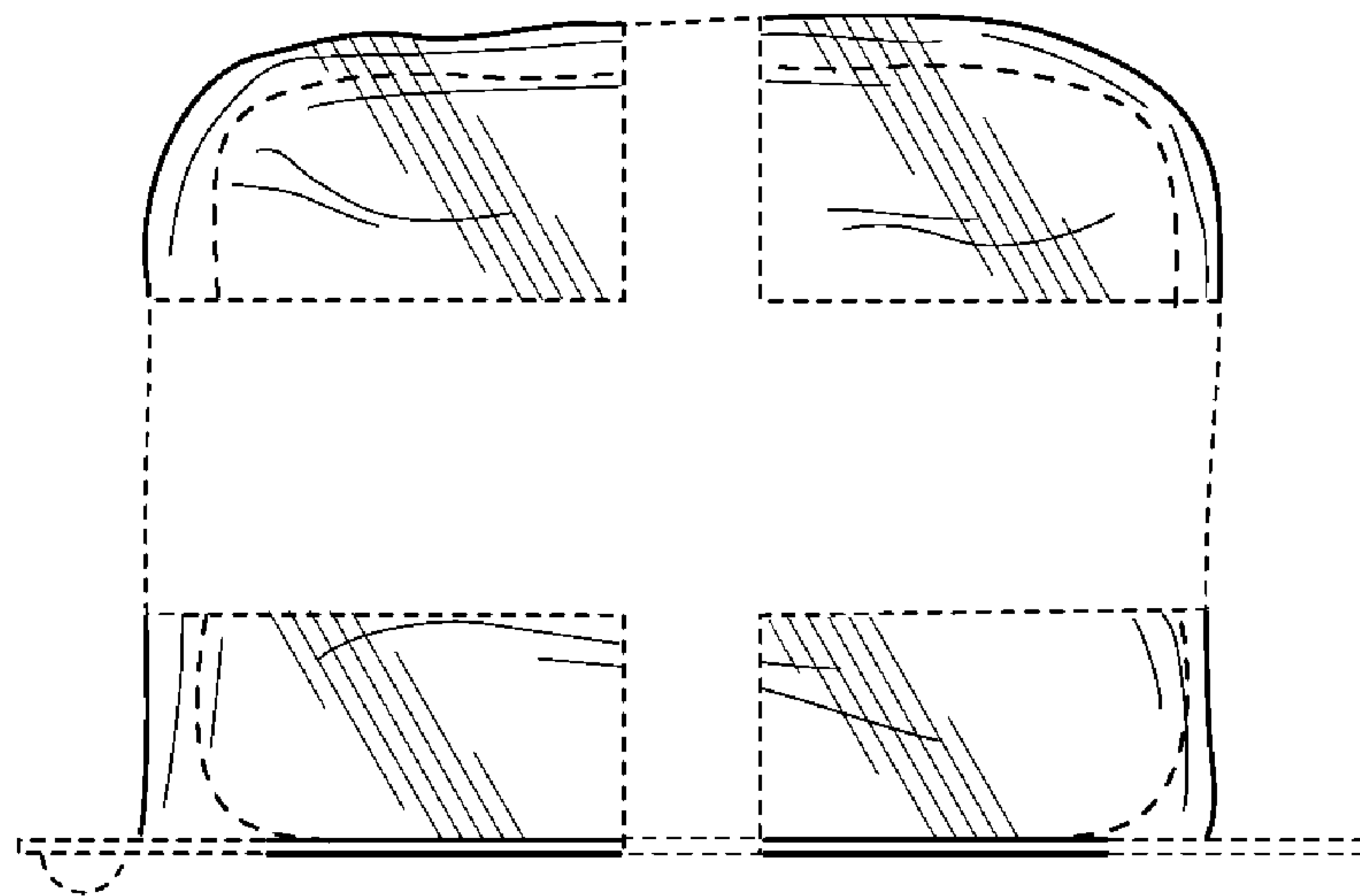


FIG. 5

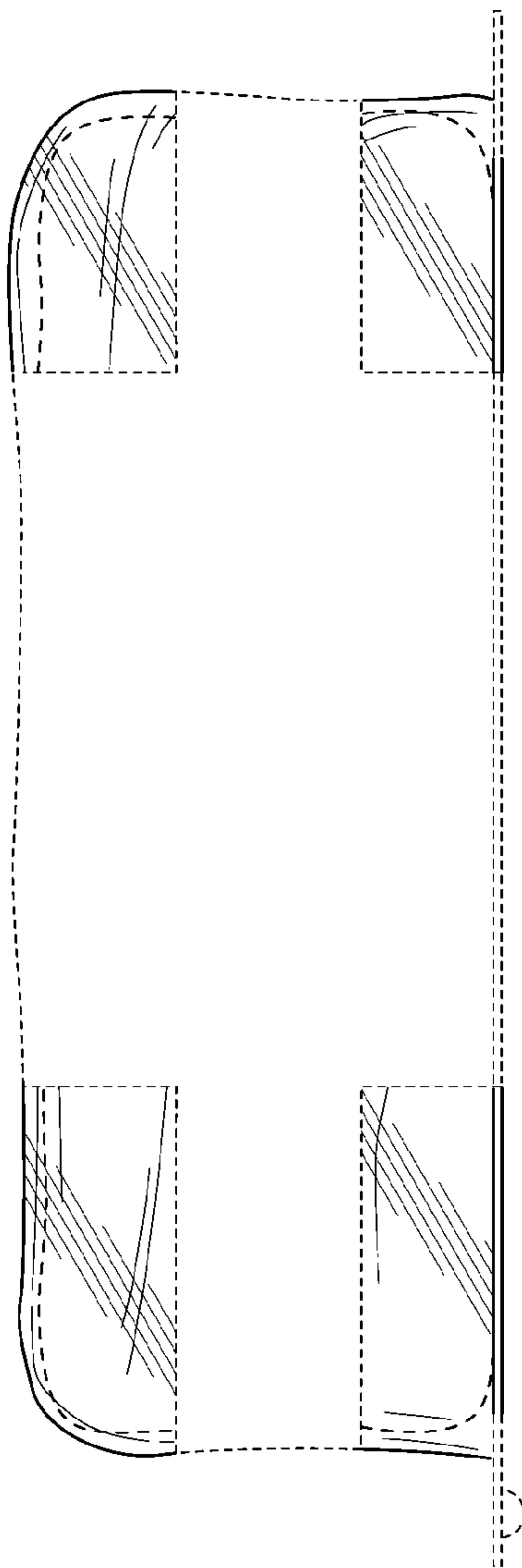


FIG. 6

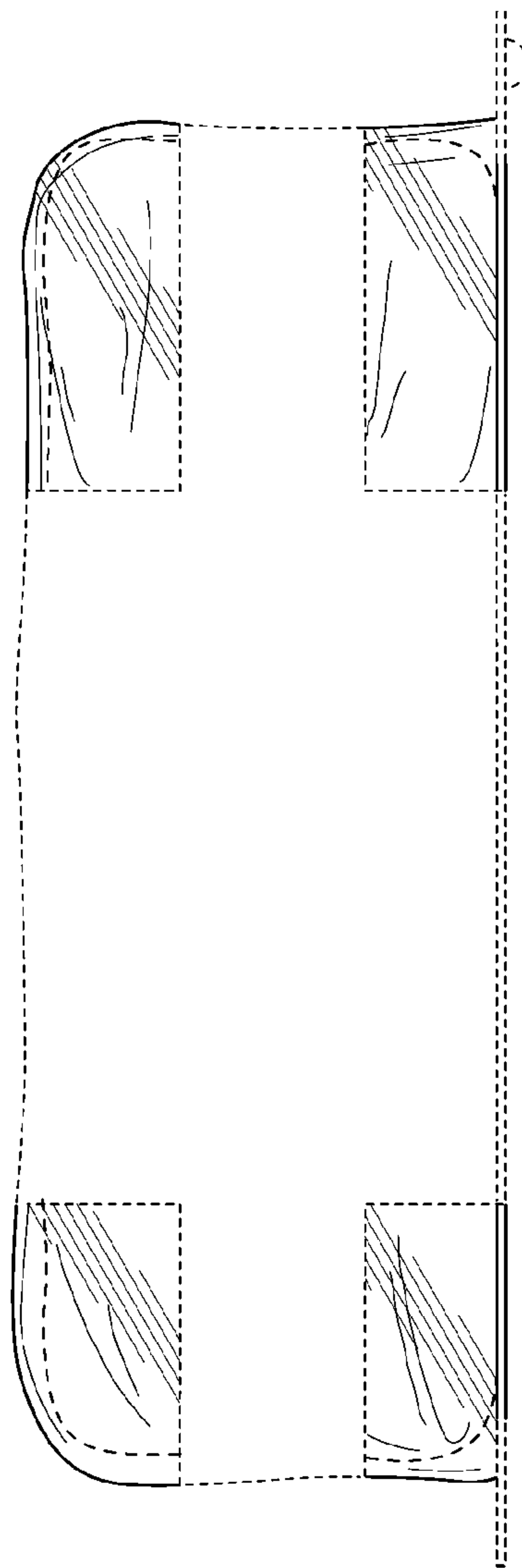
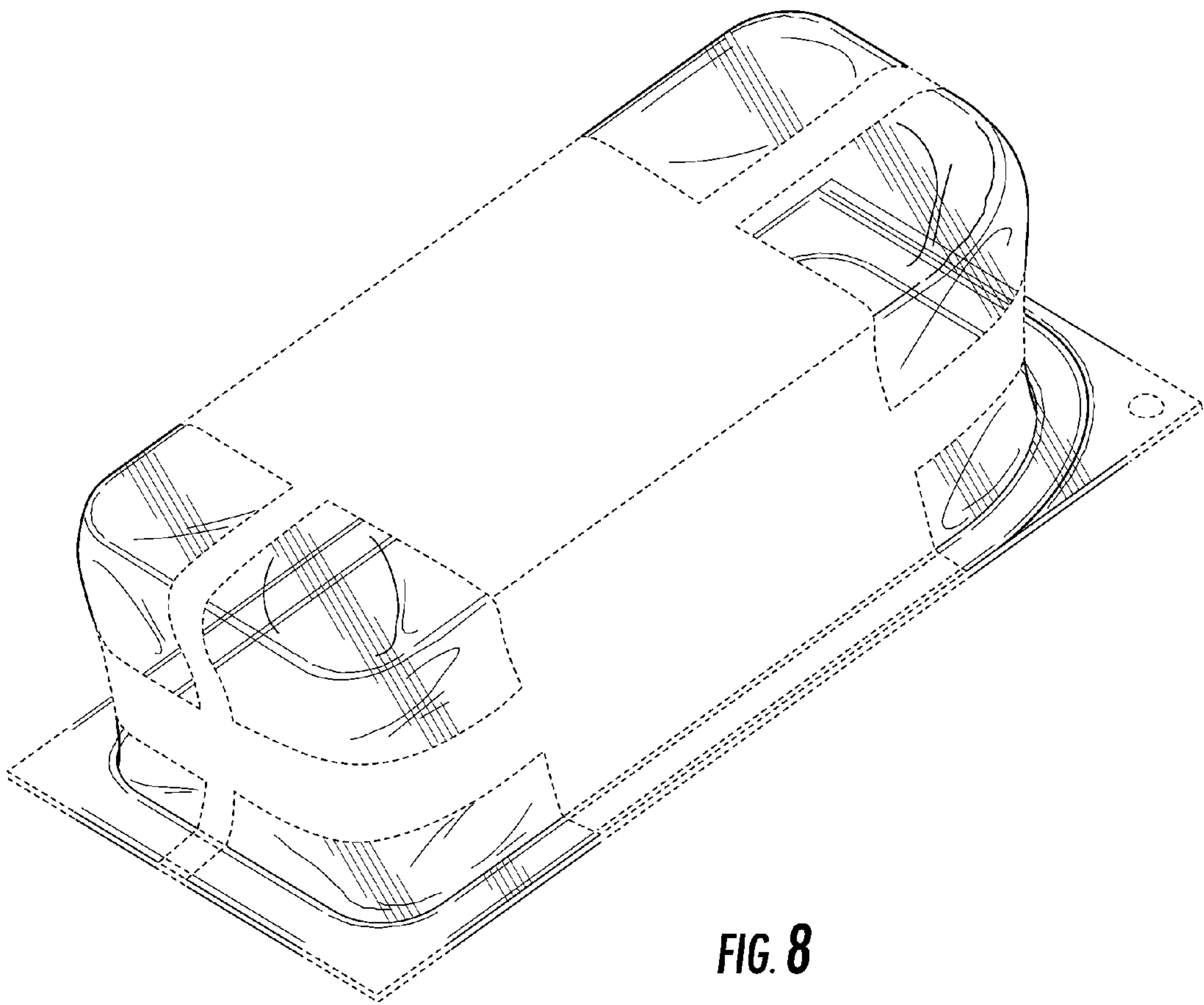


FIG. 7



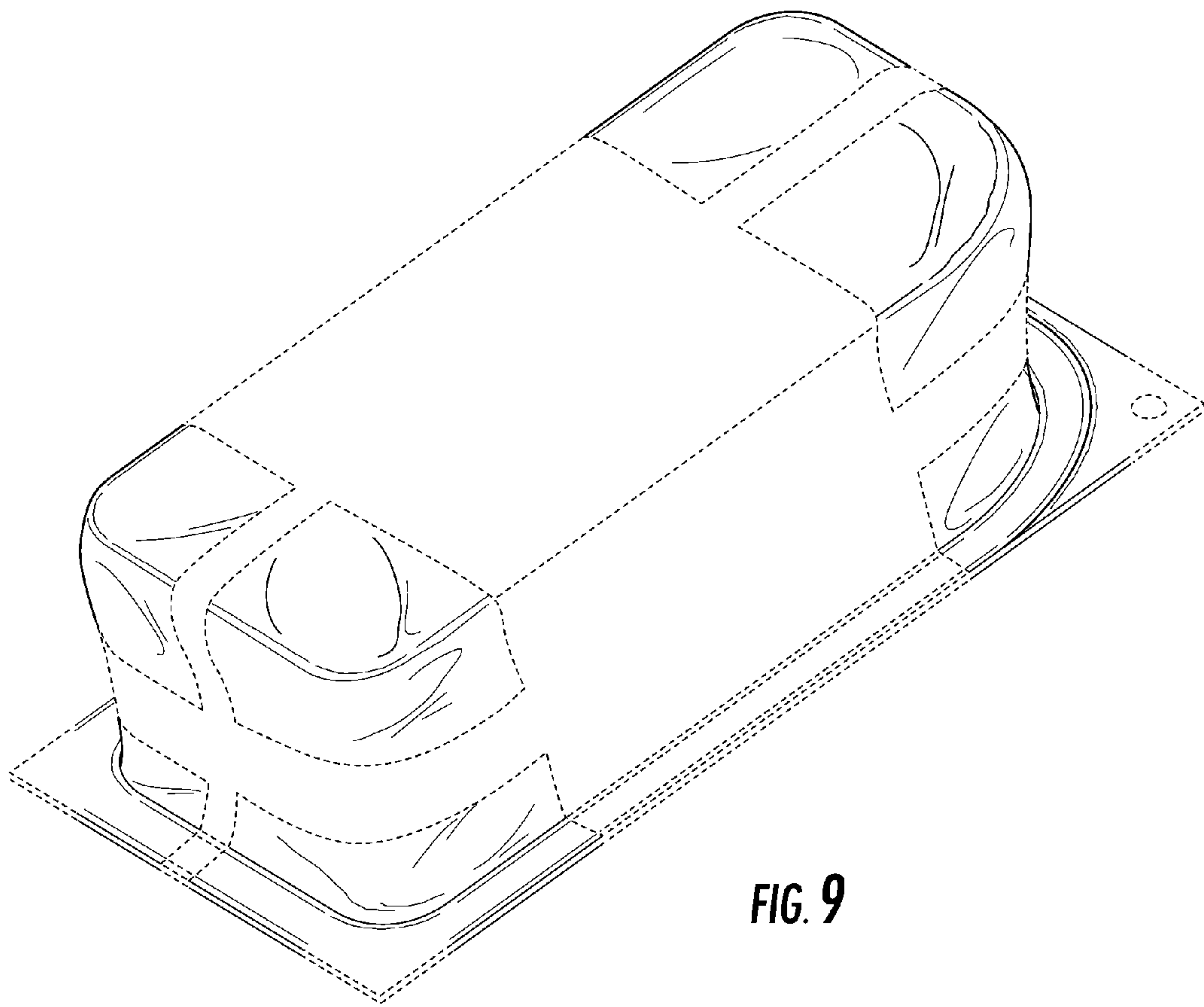


FIG. 9

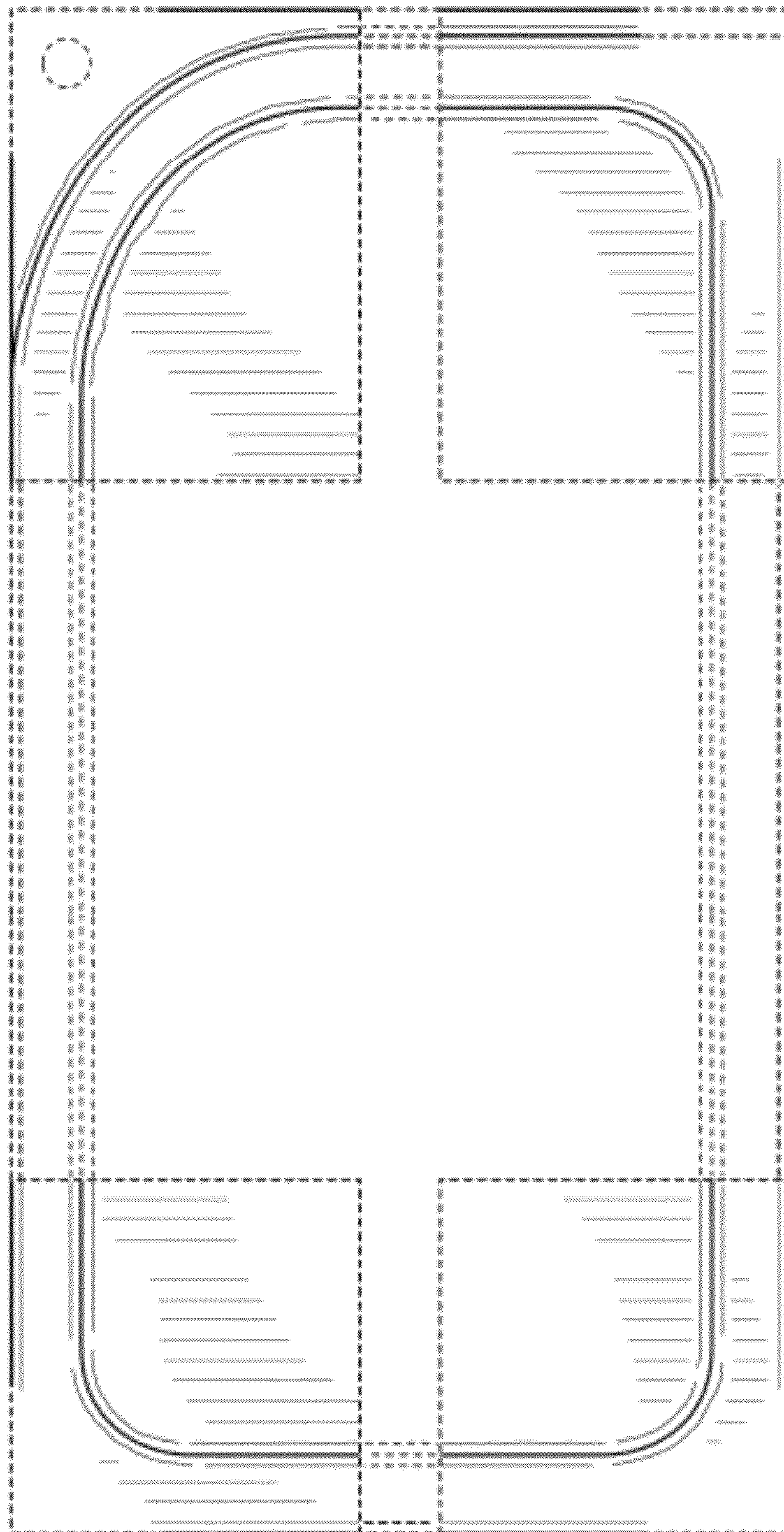


FIG. 10

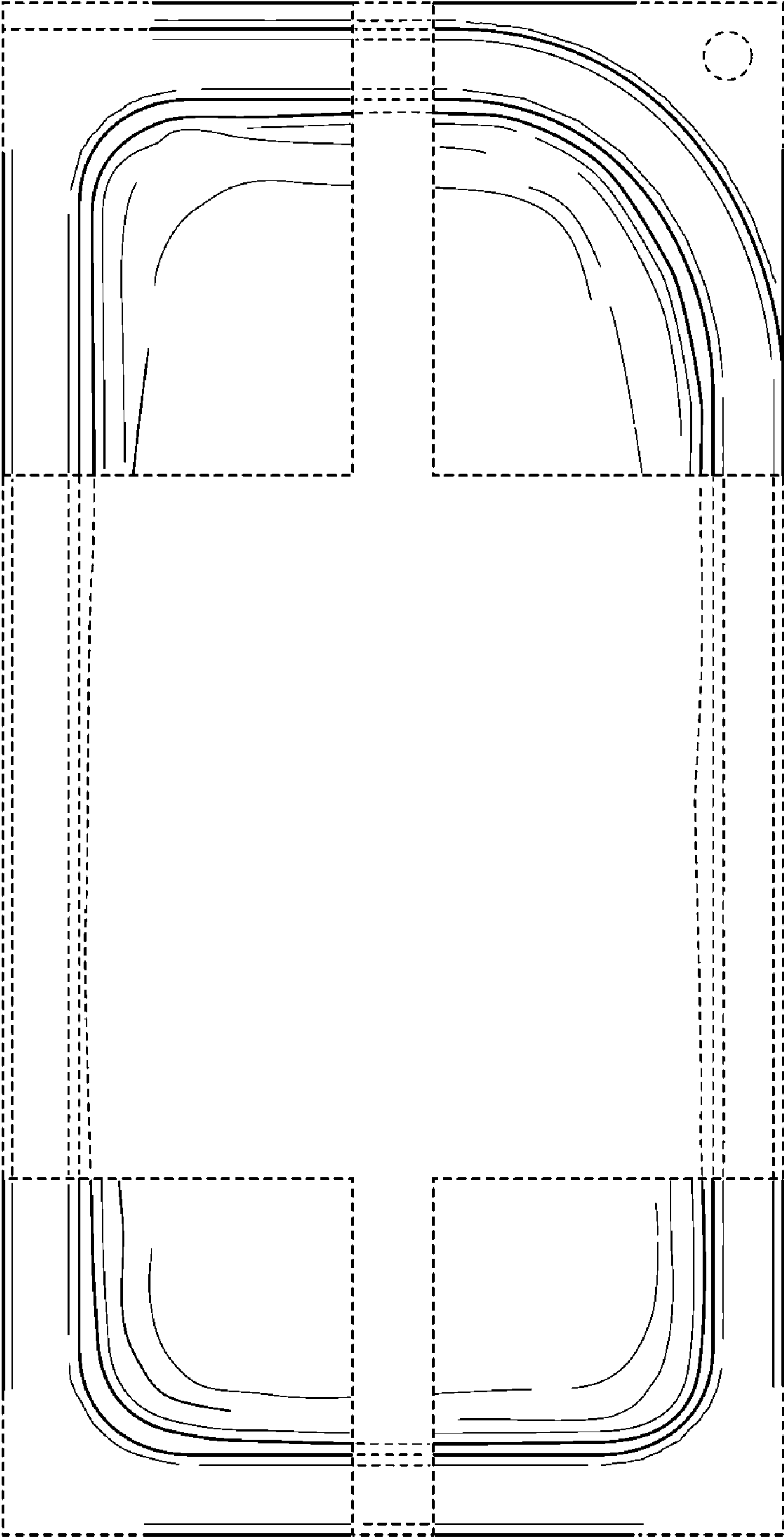


FIG. 11

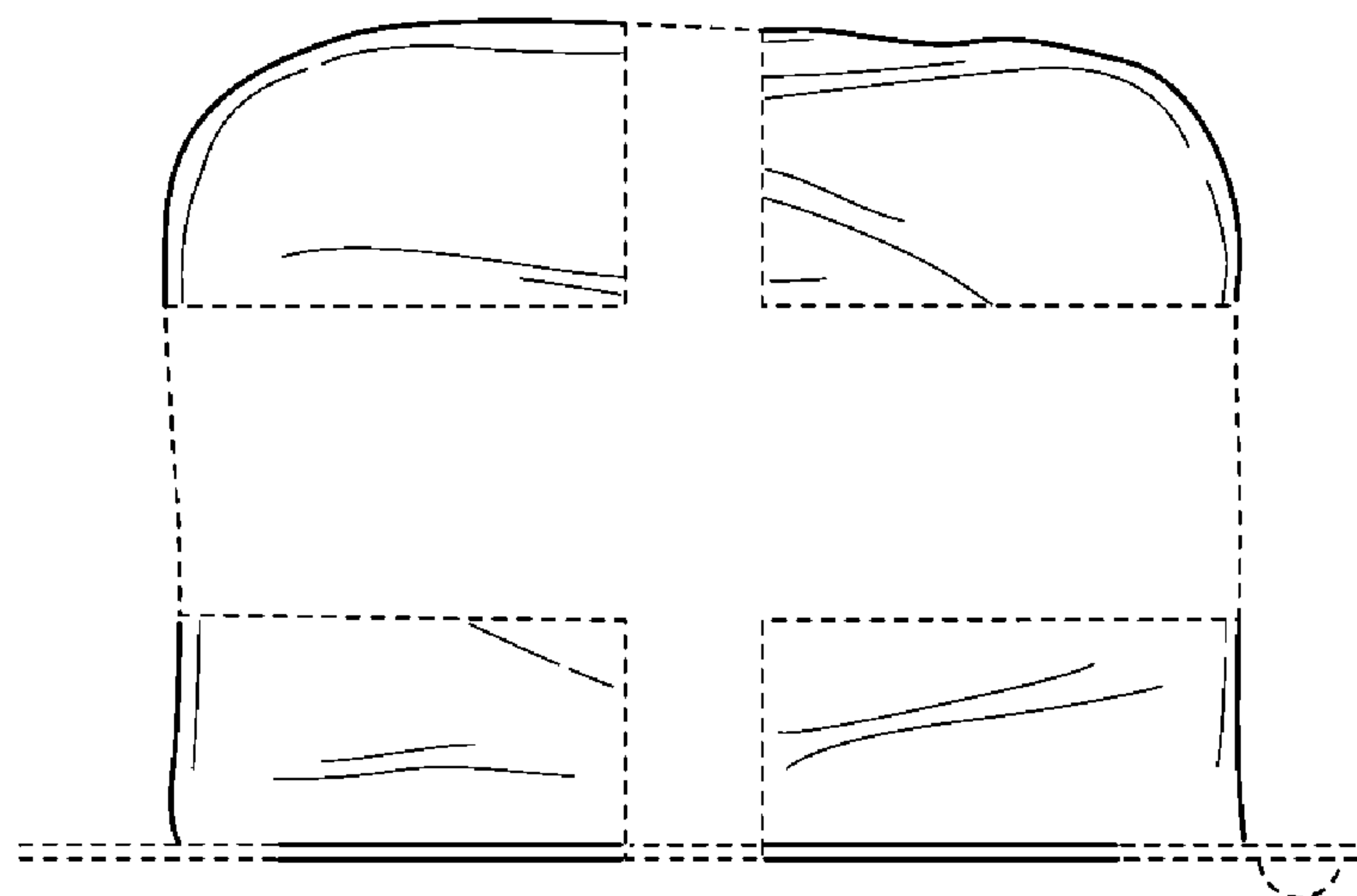


FIG. 12

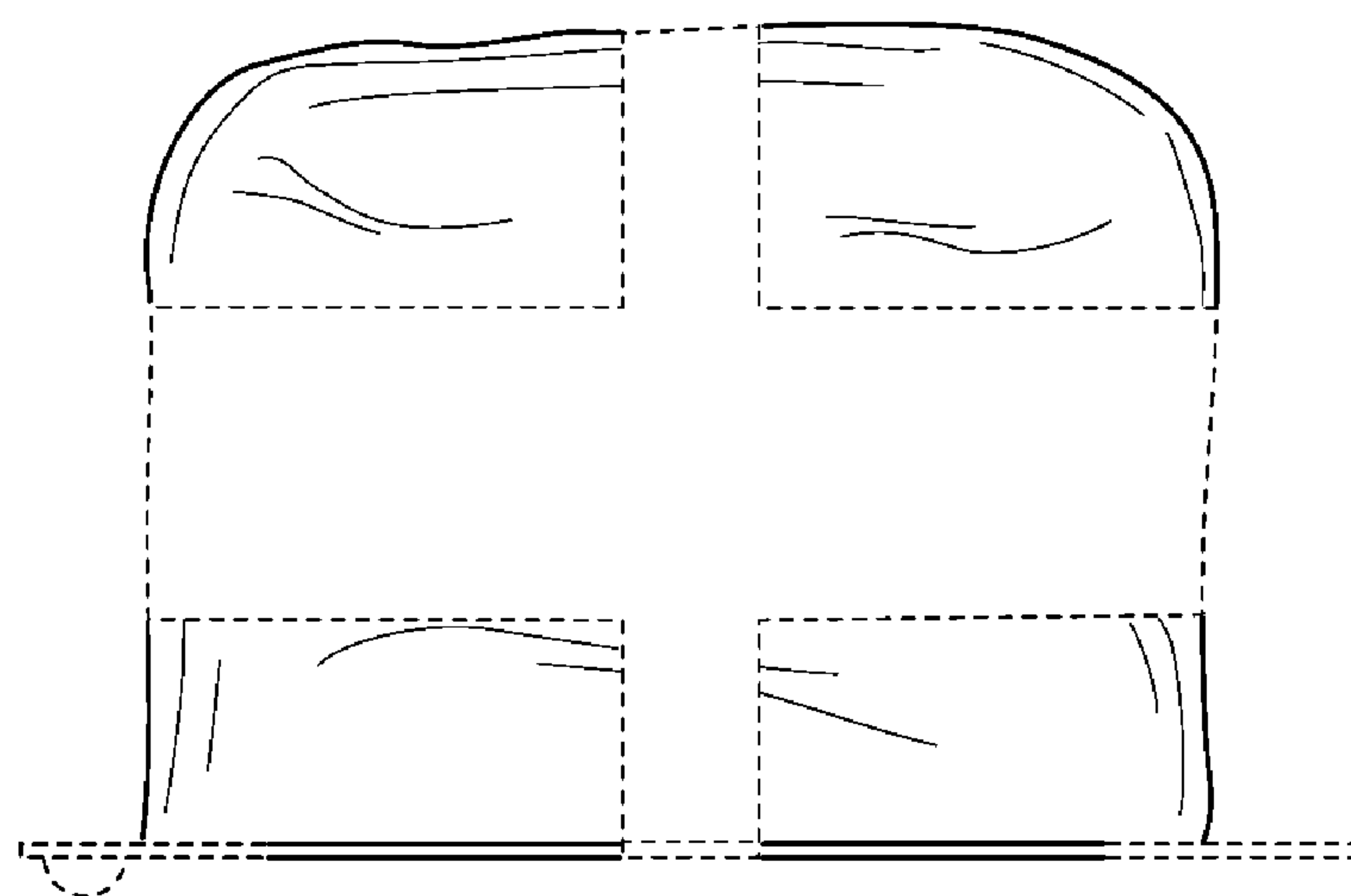


FIG. 13

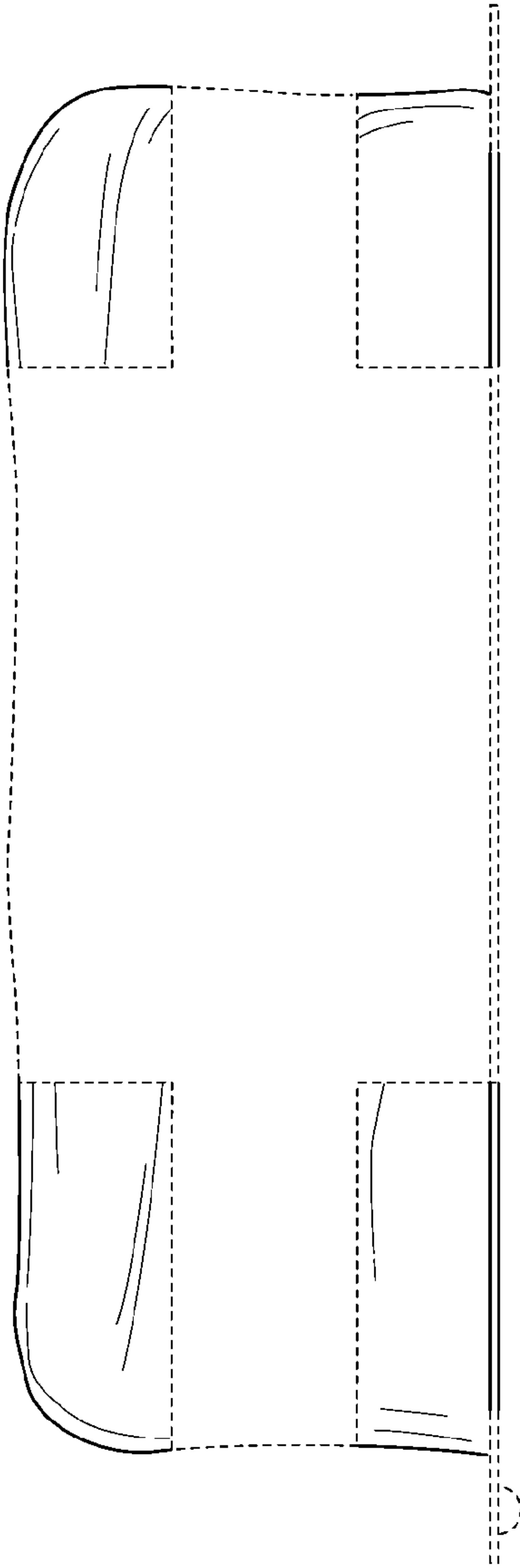


FIG. 14

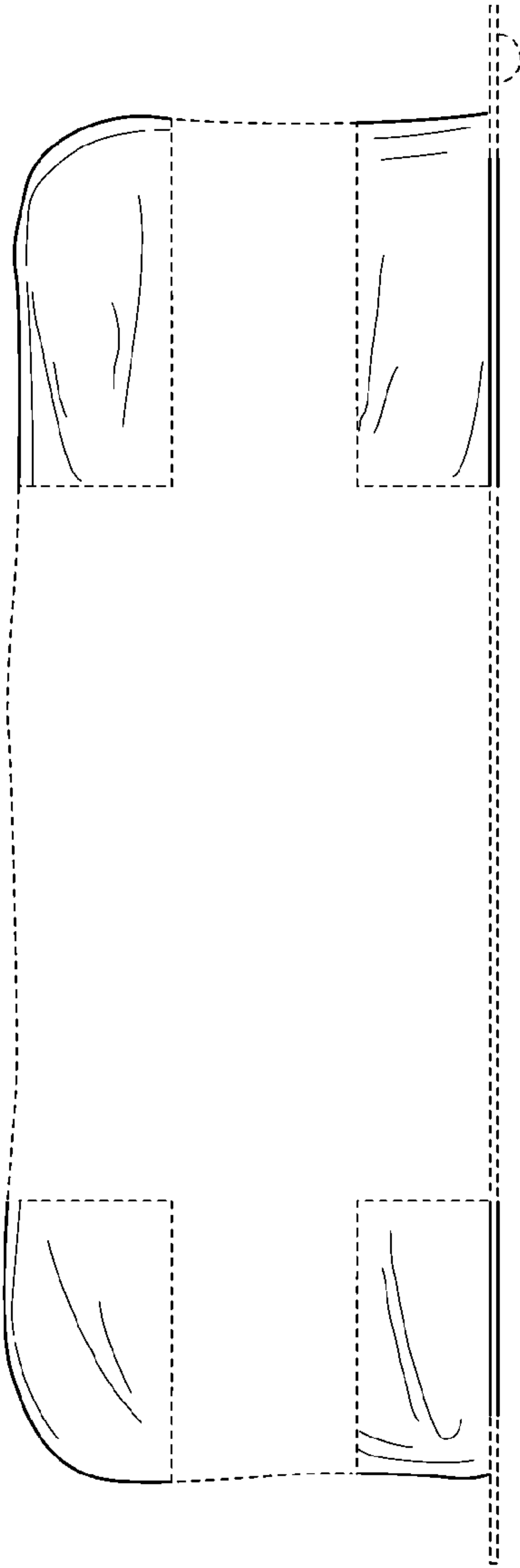


FIG. 15