



US00D662812S

(12) **United States Design Patent**
Kurita et al.

(10) **Patent No.:** **US D662,812 S**
(45) **Date of Patent:** **** Jul. 3, 2012**

(54) **PACKAGE**

(75) Inventors: **Atsushi Kurita**, Kanagawaken (JP);
Shinji Yamaguchi, Kanagawaken (JP);
Masahiro Takamoto, Kanagawaken (JP)

(73) Assignee: **JVC Kenwood Corporation**, Yokohama (JP)

(**) Term: **14 Years**

(21) Appl. No.: **29/397,396**

(22) Filed: **Jul. 15, 2011**

(30) **Foreign Application Priority Data**

Jan. 17, 2011 (JP) D2011-000817

(51) **LOC (9) Cl.** **09-03**

(52) **U.S. Cl.** **D9/415**

(58) **Field of Classification Search** D9/715,
D9/718, 721, 722, 737, 414, 415, 418, 419,
D9/420, 423, 424, 434, 436, 499; D3/201,
D3/205, 273, 274, 276, 282, 292, 294; 206/213,
206/216, 223, 581, 5, 6, 278-282, 288, 292,
206/294, 316.1, 723, 349-383, 457, 461-471,
206/472, 473, 475, 775-783, 562-565, 806,
206/822

See application file for complete search history.

(56) **References Cited**

U.S. PATENT DOCUMENTS

D156,107	S	*	11/1949	Horton, Jr.	D3/276
3,837,476	A	*	9/1974	Schwartz	206/45.24
3,990,170	A	*	11/1976	Griffis	42/89
4,449,629	A	*	5/1984	Barrieau	206/765
D282,718	S	*	2/1986	Fireman	D9/722
D313,753	S	*	1/1991	Nagasaka	D9/415
D382,115	S	*	8/1997	Chang	D3/282
D386,966	S	*	12/1997	Seelig	D9/415
D436,531	S	*	1/2001	Holmes et al.	D9/418
D481,940	S	*	11/2003	O'Toole et al.	D9/415
D561,601	S	*	2/2008	MacKinnon	D9/624
2007/0114149	A1	*	5/2007	Chang	206/372
2009/0120812	A1	*	5/2009	Chao et al.	206/5

FOREIGN PATENT DOCUMENTS

EM	000127394-0004	*	4/2004
EM	000649470-0005	*	11/2008
EM	001618794-0001	*	10/2009
EM	001722133-0001	*	6/2010
EM	001796459-0011	*	1/2011
JP	4-97049	U	8/1992
WO	D014154-001	*	9/1989
WO	D066133-001	*	5/2005

* cited by examiner

Primary Examiner — Catherine Tuttle

(74) *Attorney, Agent, or Firm* — The Nath Law Group;
Jerald L. Meyer; Gregory G. Bennett

(57) **CLAIM**

The ornamental design for a package, as shown and described.

DESCRIPTION

FIG. 1 is a perspective view of a package wherein the oblique surface shading is intended to show that whole portion of the article including inner portion is transparent;

FIG. 2 is a front view thereof;

FIG. 3 is a rear view thereof;

FIG. 4 is a left side view thereof;

FIG. 5 is a right side view thereof;

FIG. 6 is a top plan view thereof;

FIG. 7 is a bottom view thereof;

FIG. 8 is a cross-sectional view taken along line 8-8 of FIG. 2 and wherein all but the sectioned portions are omitted;

FIG. 9 is a referential front perspective view thereof with its front cover opened to show the surface configuration of the claimed portion without transparency for configuration clarification purposes; and,

FIG. 10 is a referential perspective view to show the surface configuration of the solid line portion as if it were opaque for configuration clarification purposes.

The broken lines are included for the purpose of illustrating the visible, interior portions of the package that for no part of the claimed design.

1 Claim, 8 Drawing Sheets

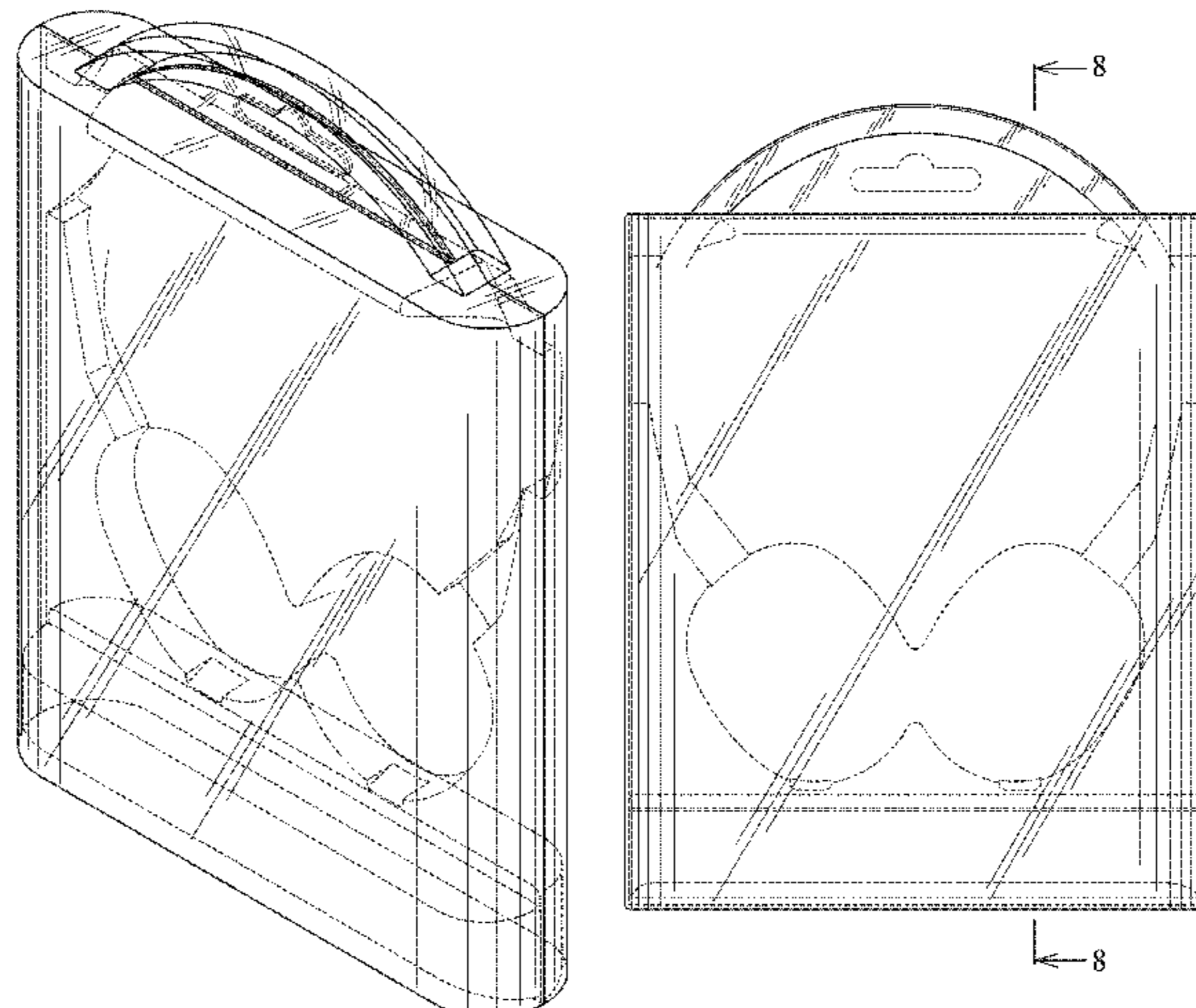


Fig. 1

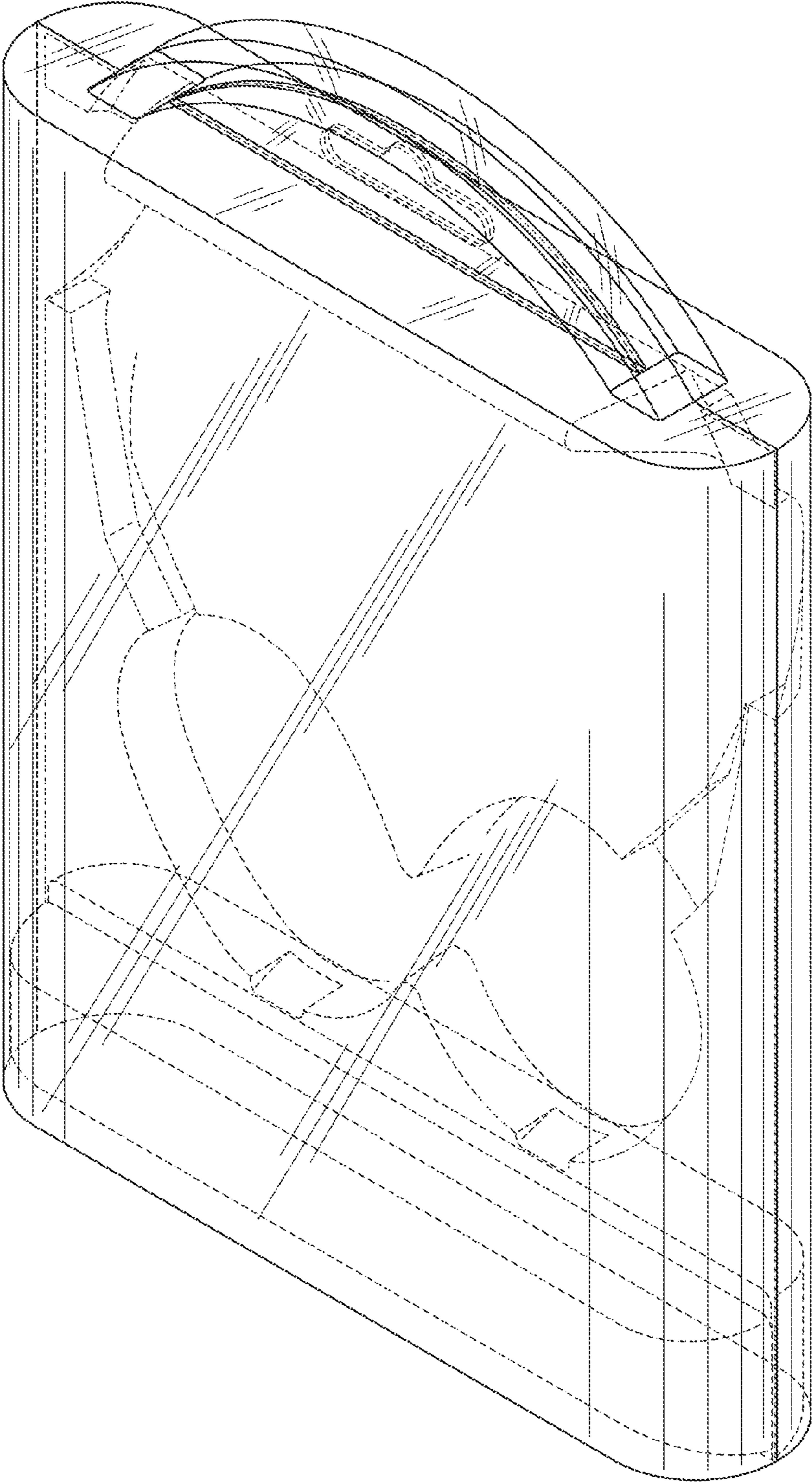


Fig.2

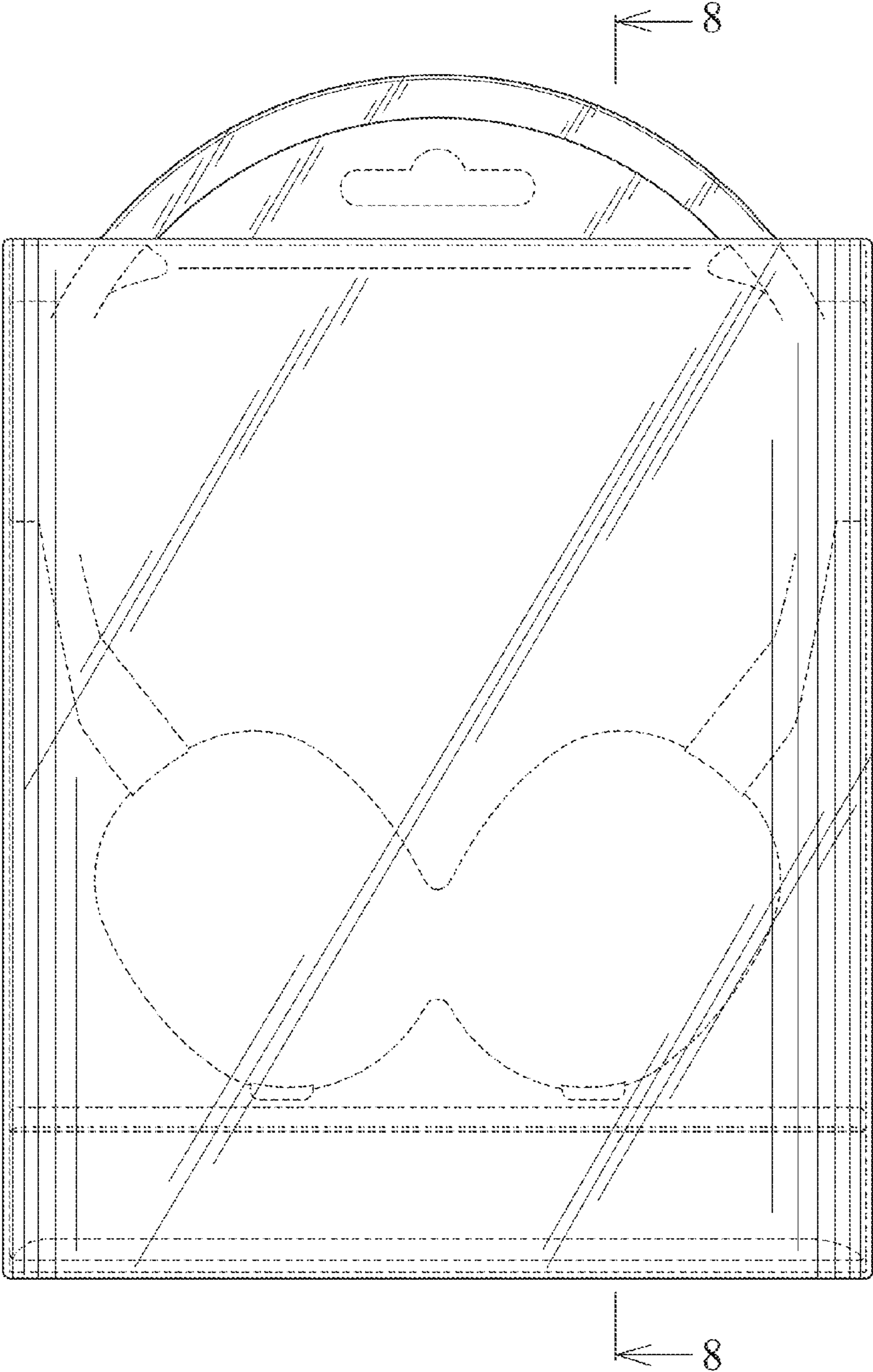


Fig.3

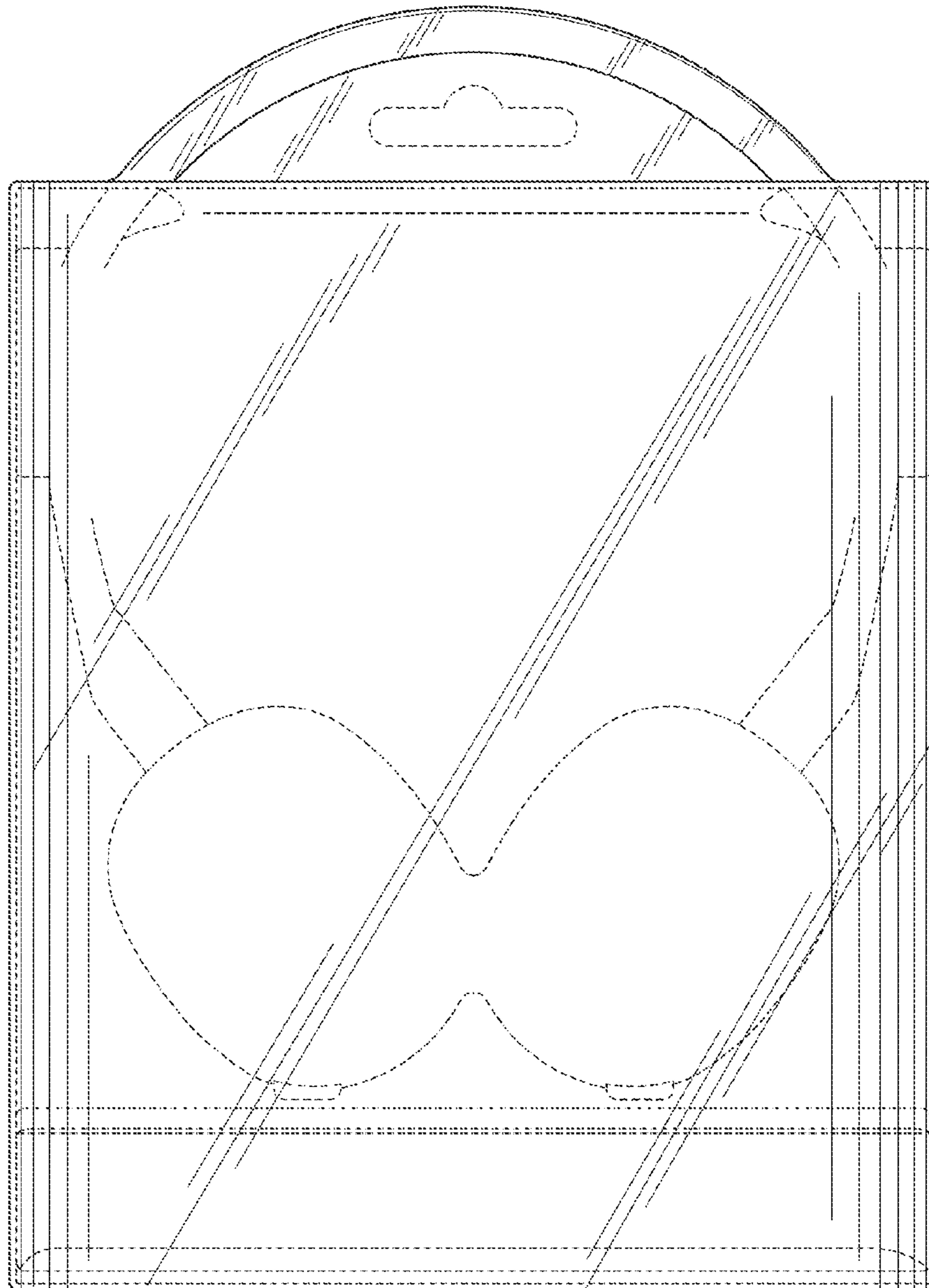


Fig.4

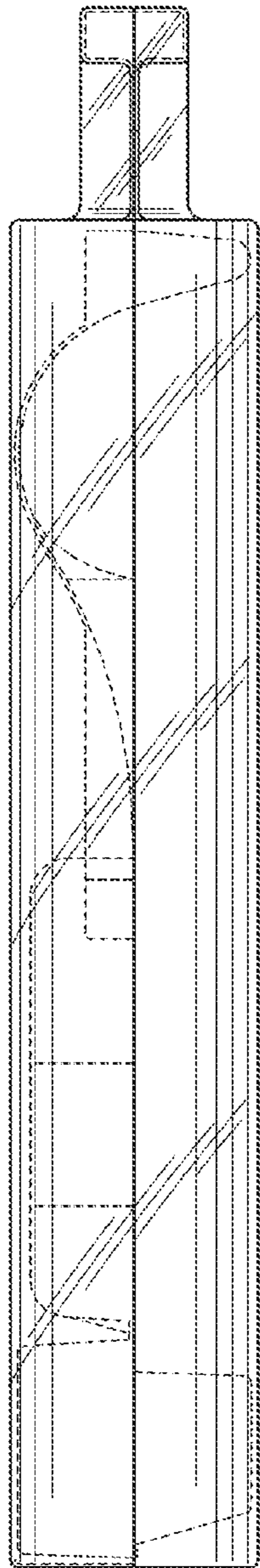


Fig.5

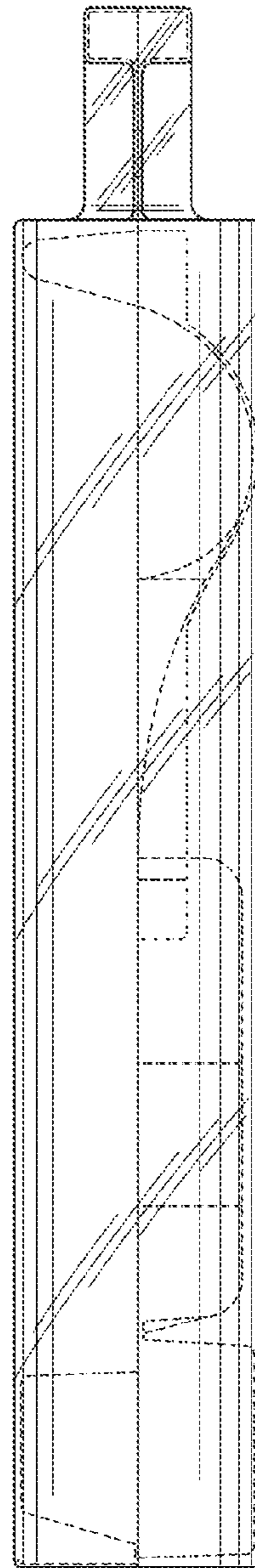


Fig.6

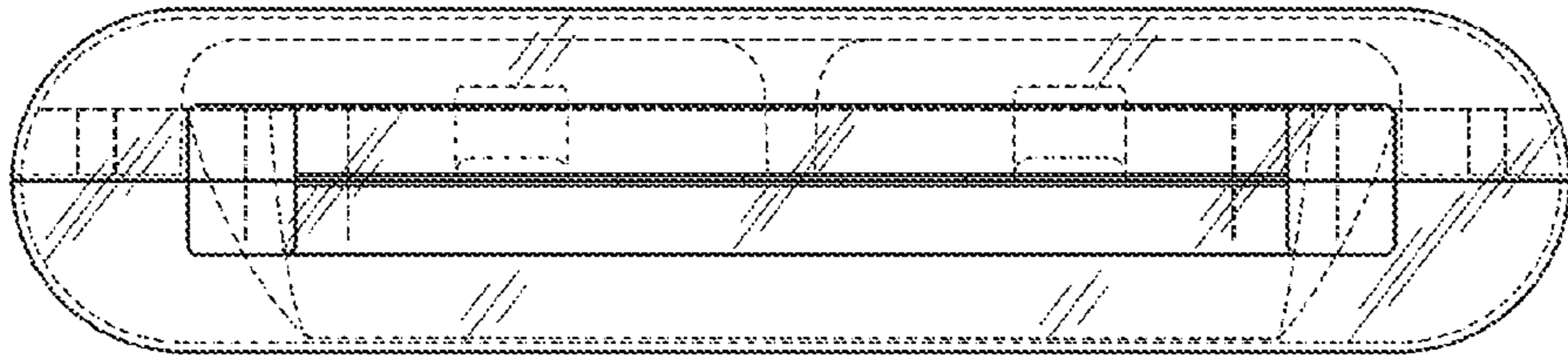


Fig.7

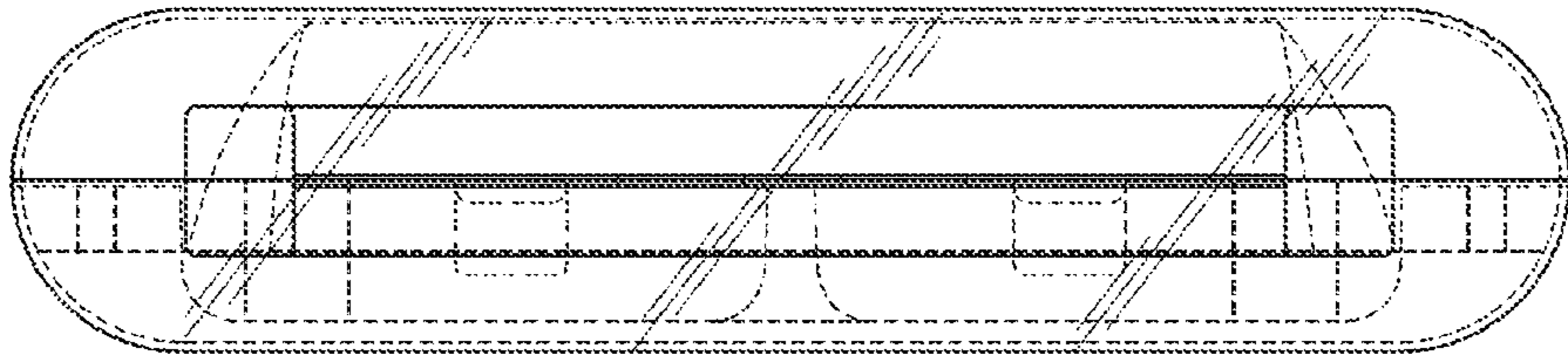


Fig.8

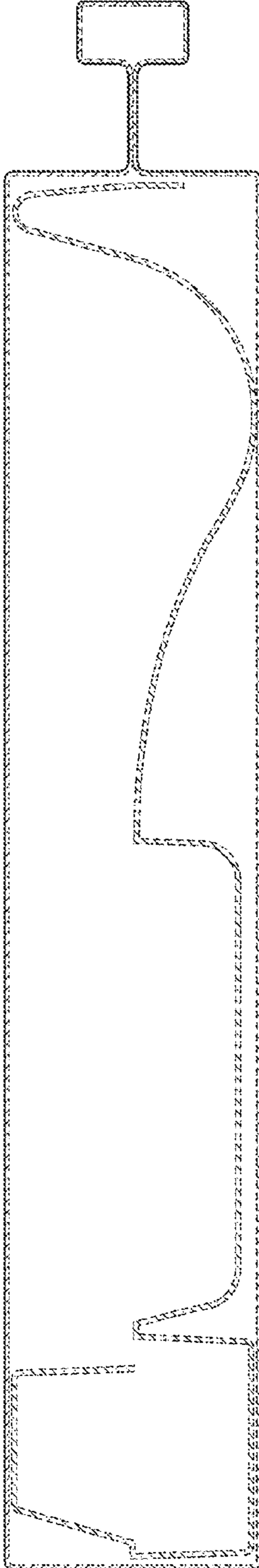


Fig.9

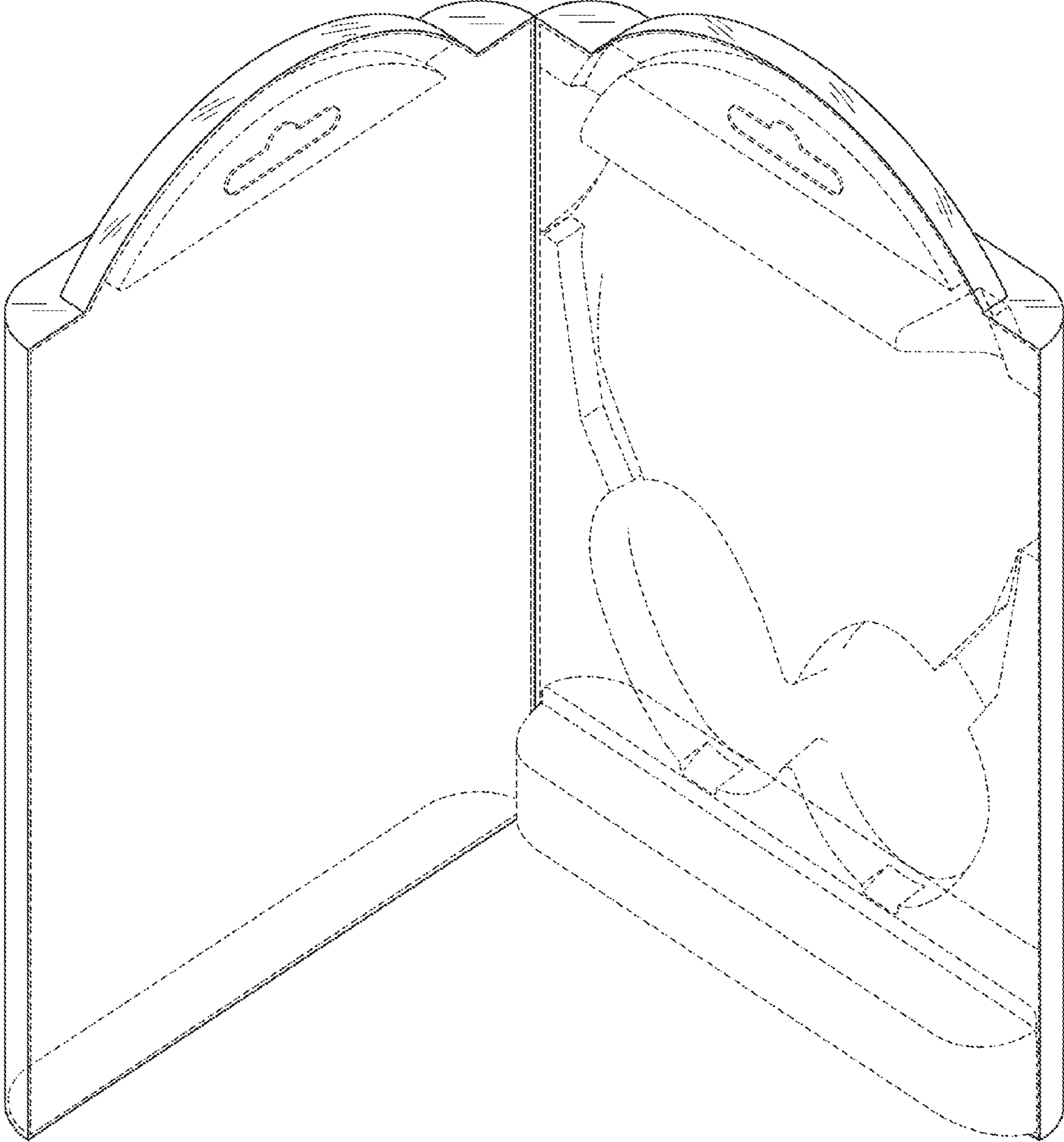


Fig. 10

