



US00D662811S

(12) **United States Design Patent**
Marcinkowski

(10) **Patent No.:** **US D662,811 S**

(45) **Date of Patent:** **** Jul. 3, 2012**

(54) **RAZOR PACKAGE**

(75) Inventor: **Stanley Michael Marcinkowski**,
Peabody, MA (US)

(73) Assignee: **The Gillette Company**, Boston, MA
(US)

(**) Term: **14 Years**

(21) Appl. No.: **29/376,014**

(22) Filed: **Sep. 30, 2010**

(51) **LOC (9) Cl.** **09-03**

(52) **U.S. Cl.** **D9/415**

(58) **Field of Classification Search** D9/715,
D9/718, 721, 722, 748, 749, 414, 415, 416,
D9/418; 206/208, 228, 349-383, 461-471,
206/581, 722-728, 457, 459.5, 775-783,
206/806, 822, 823

See application file for complete search history.

(56) **References Cited**

U.S. PATENT DOCUMENTS

D195,788 S *	7/1963	Muscatiello	D9/748
D352,236 S *	11/1994	Althaus	D9/748
D405,628 S *	2/1999	Terrana et al.	D6/472
D442,857 S *	5/2001	Feehan, Jr.	D9/415
D470,047 S *	2/2003	Lee et al.	D9/415
D480,638 S *	10/2003	Lee	D9/415
D496,265 S *	9/2004	Dossett et al.	D9/415
D509,727 S *	9/2005	Suckle et al.	D9/415
D509,730 S *	9/2005	Bernard	D9/420
D511,105 S *	11/2005	Dominesey et al.	D9/748
D511,452 S *	11/2005	Dibnah et al.	D9/415
D524,542 S *	7/2006	Hardy	D3/309
D593,853 S *	6/2009	Sorrentino et al.	D9/415
D603,254 S *	11/2009	Hogenbirk	D9/425

D606,392 S *	12/2009	Prevost	D9/415
D627,217 S *	11/2010	Marcinkowski et al.	D9/415
2010/0294684 A1 *	11/2010	Greene et al.	206/354

FOREIGN PATENT DOCUMENTS

EM	000292081-0001	*	4/2005
EM	000642814-0001	*	2/2007
WO	D049455-001	*	12/1999
WO	D060622-002	*	8/2002

* cited by examiner

Primary Examiner — Catherine Tuttle

(74) *Attorney, Agent, or Firm* — Joanne N. Pappas; Kevin C. Johnson; Steven W. Miller

(57) **CLAIM**

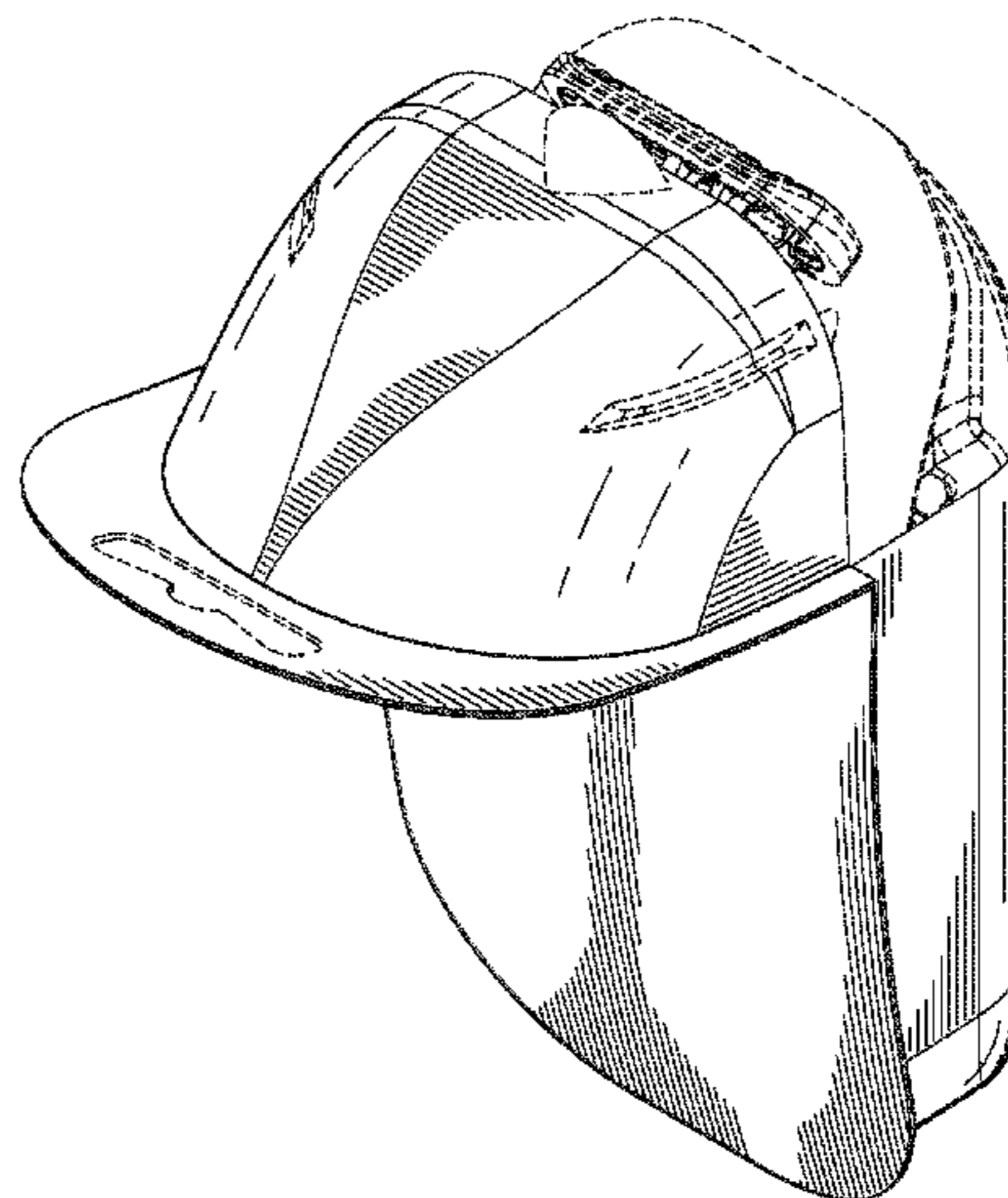
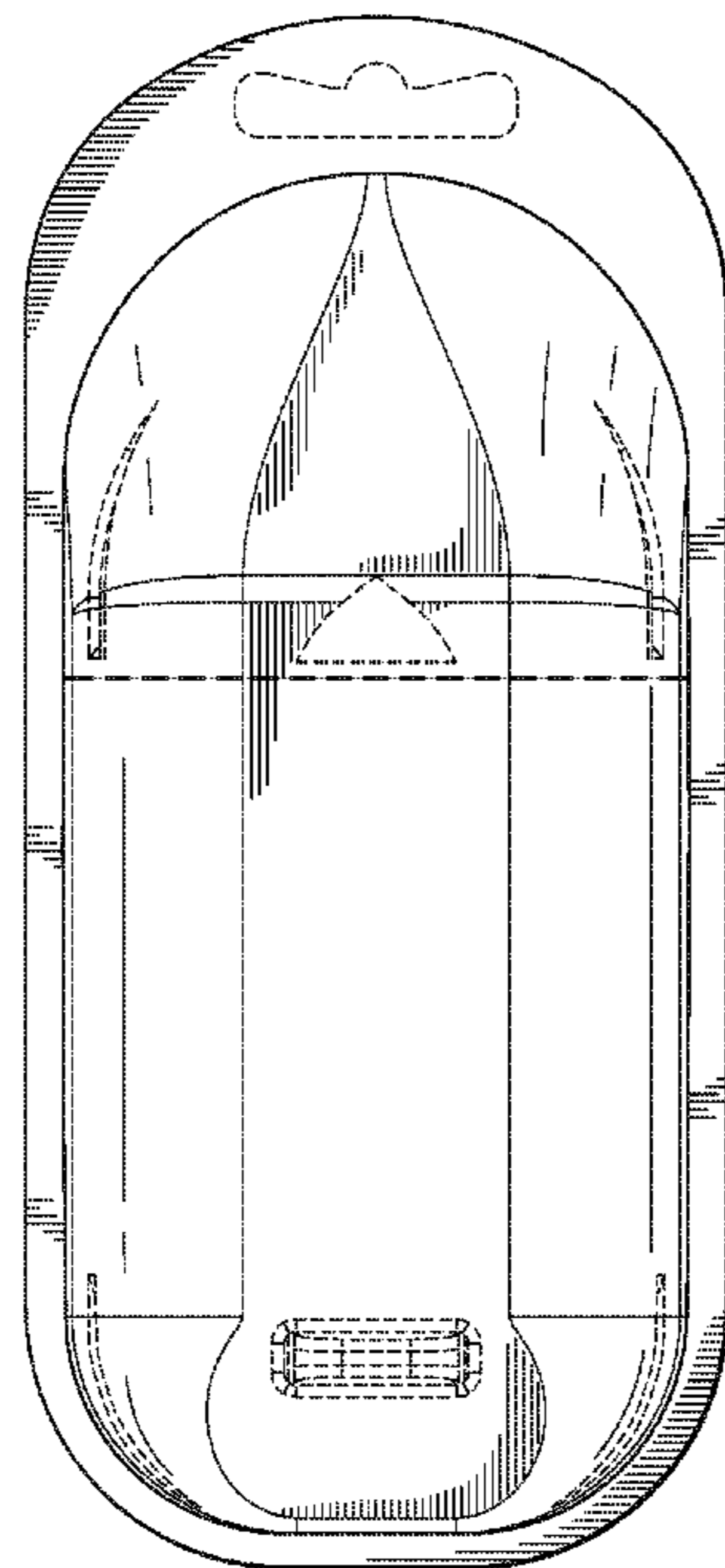
The ornamental design for a razor package, as shown and described.

DESCRIPTION

FIG. 1 is a perspective view of a razor package showing my new design in a closed position;
FIG. 2 is a front view thereof;
FIG. 3 is a back view thereof;
FIG. 4 is a right view thereof;
FIG. 5 is a left view thereof;
FIG. 6 is a top view thereof;
FIG. 7 is a bottom view thereof;
FIG. 8 is a perspective view showing the package of FIG. 1 in an open position;
FIG. 9 is a side view thereof; and,
FIG. 10 is a top view thereof.

The heavy horizontal dashed line illustrates the perforation line forming part of the claim. The remainder of the dashed lines are included for the purpose of illustrating portions of the razor package that form no part of the claimed design.

1 Claim, 9 Drawing Sheets



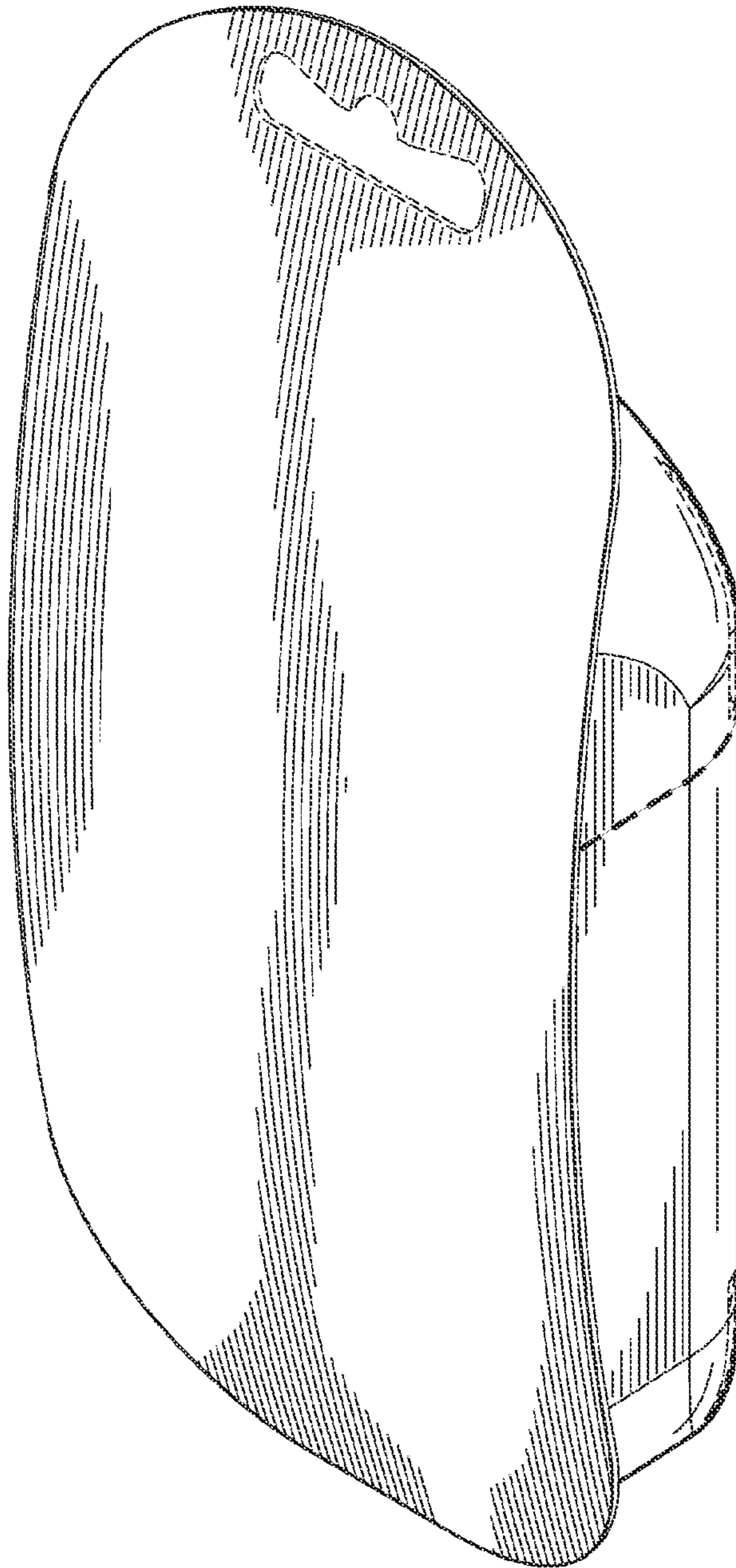


FIG. 1

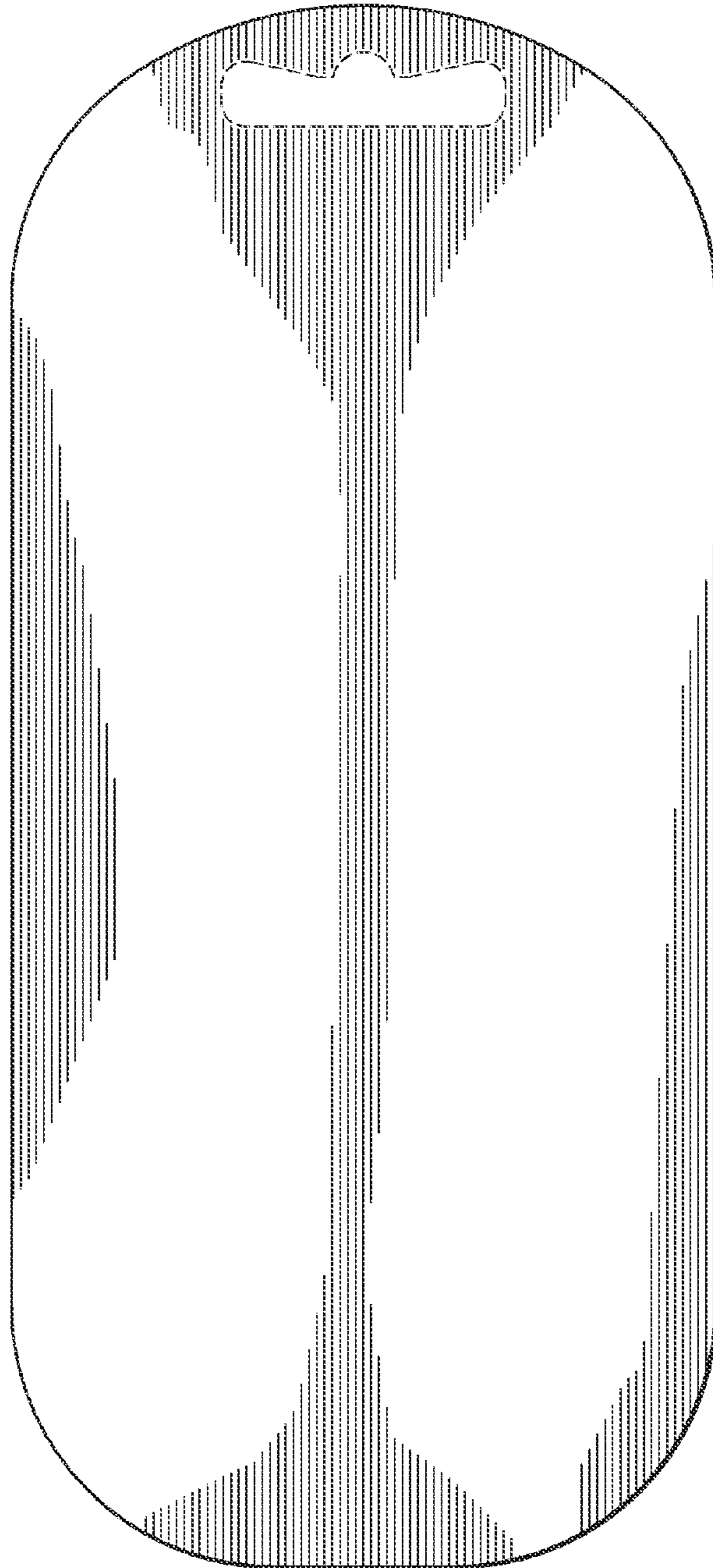


FIG. 2

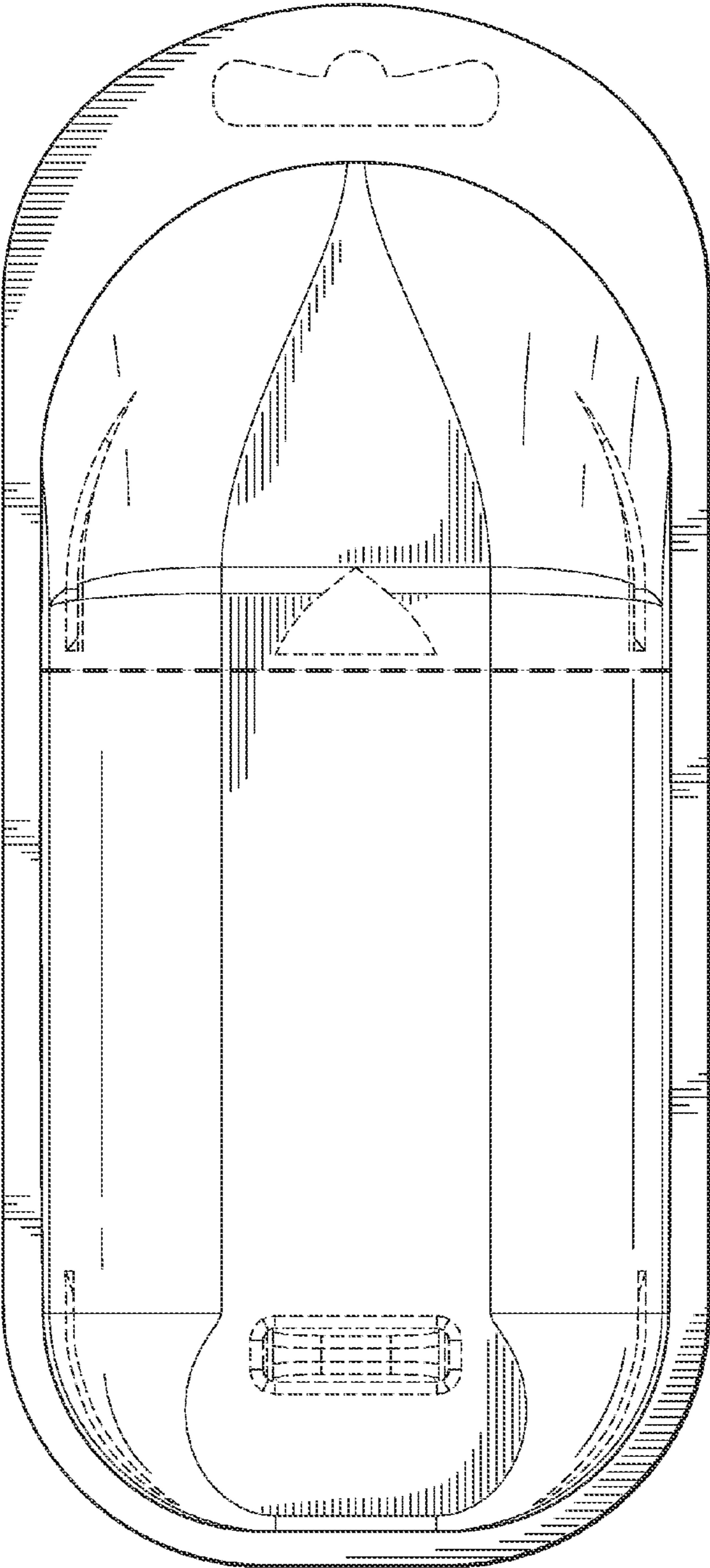


FIG. 3

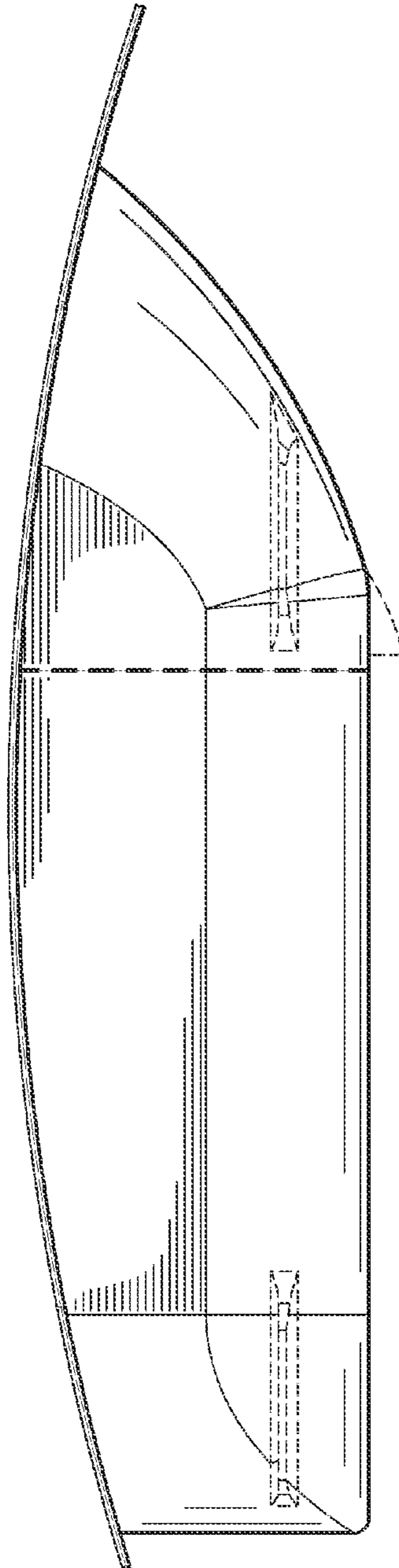


FIG. 4

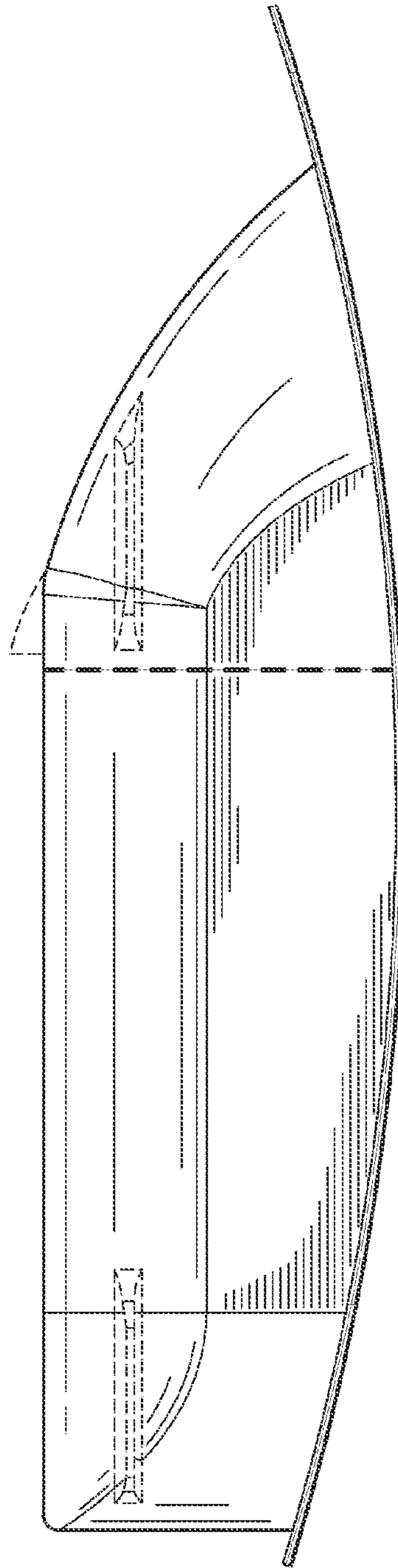


FIG. 5

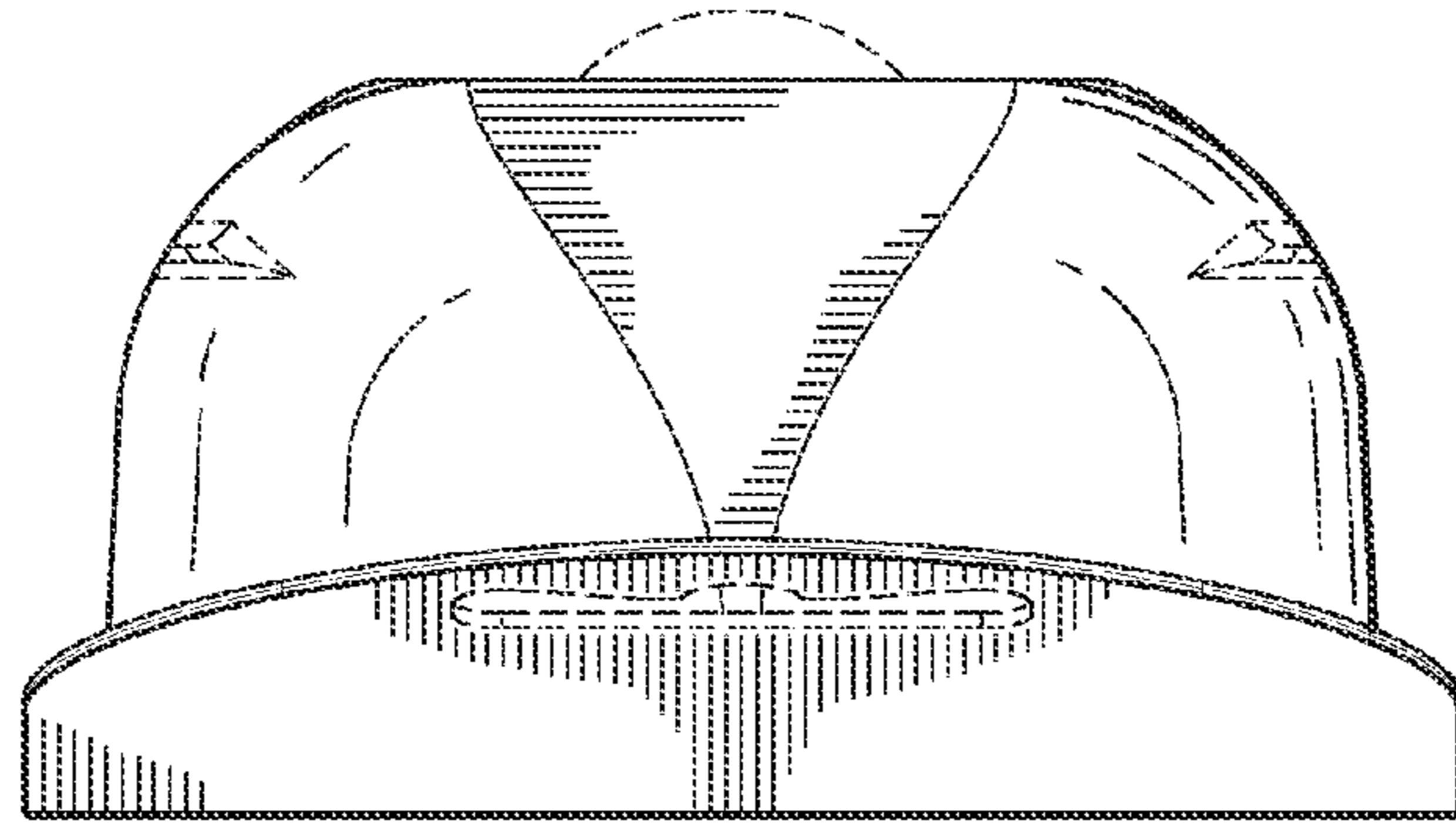


FIG. 6

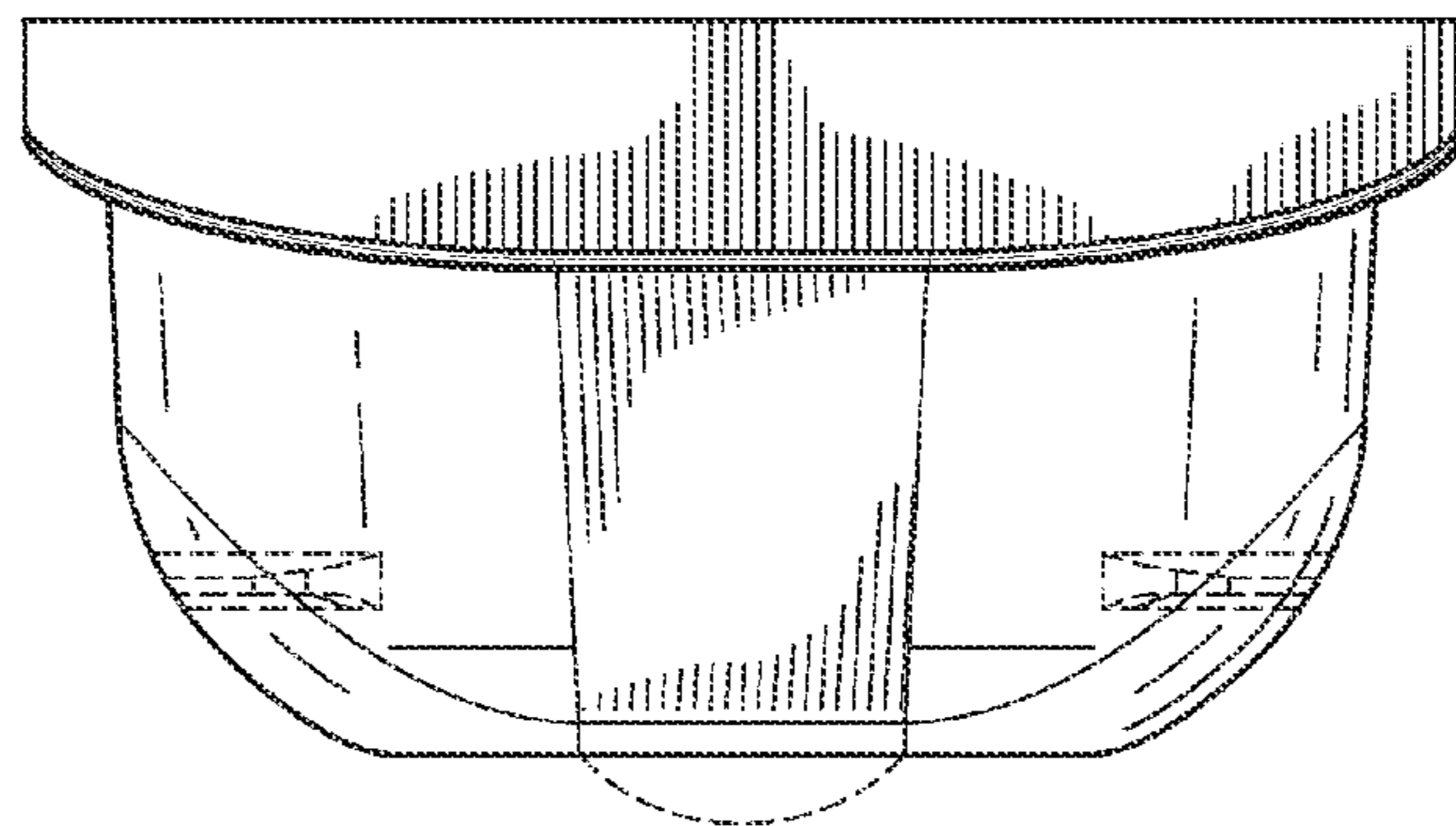


FIG. 7

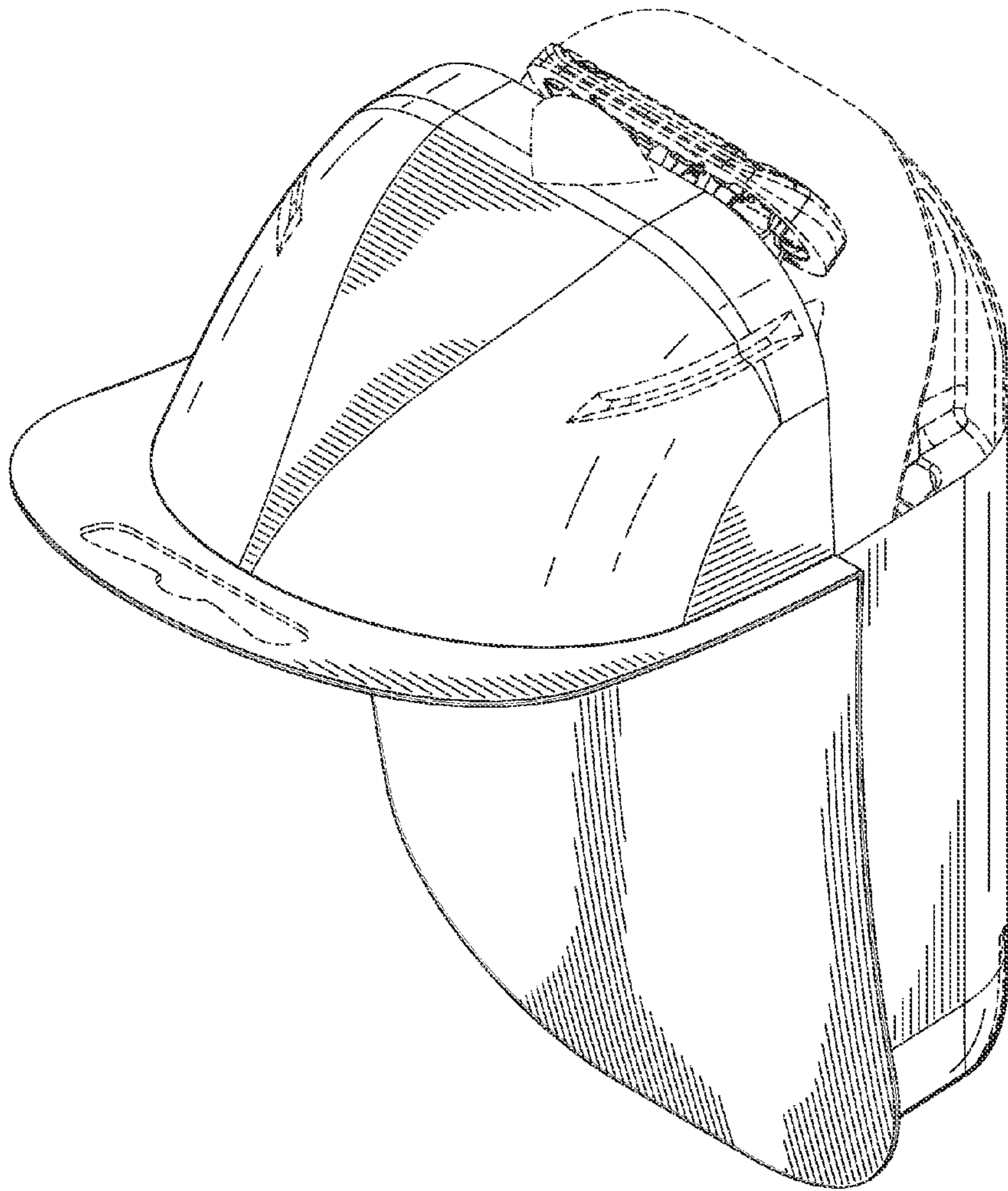


FIG. 8

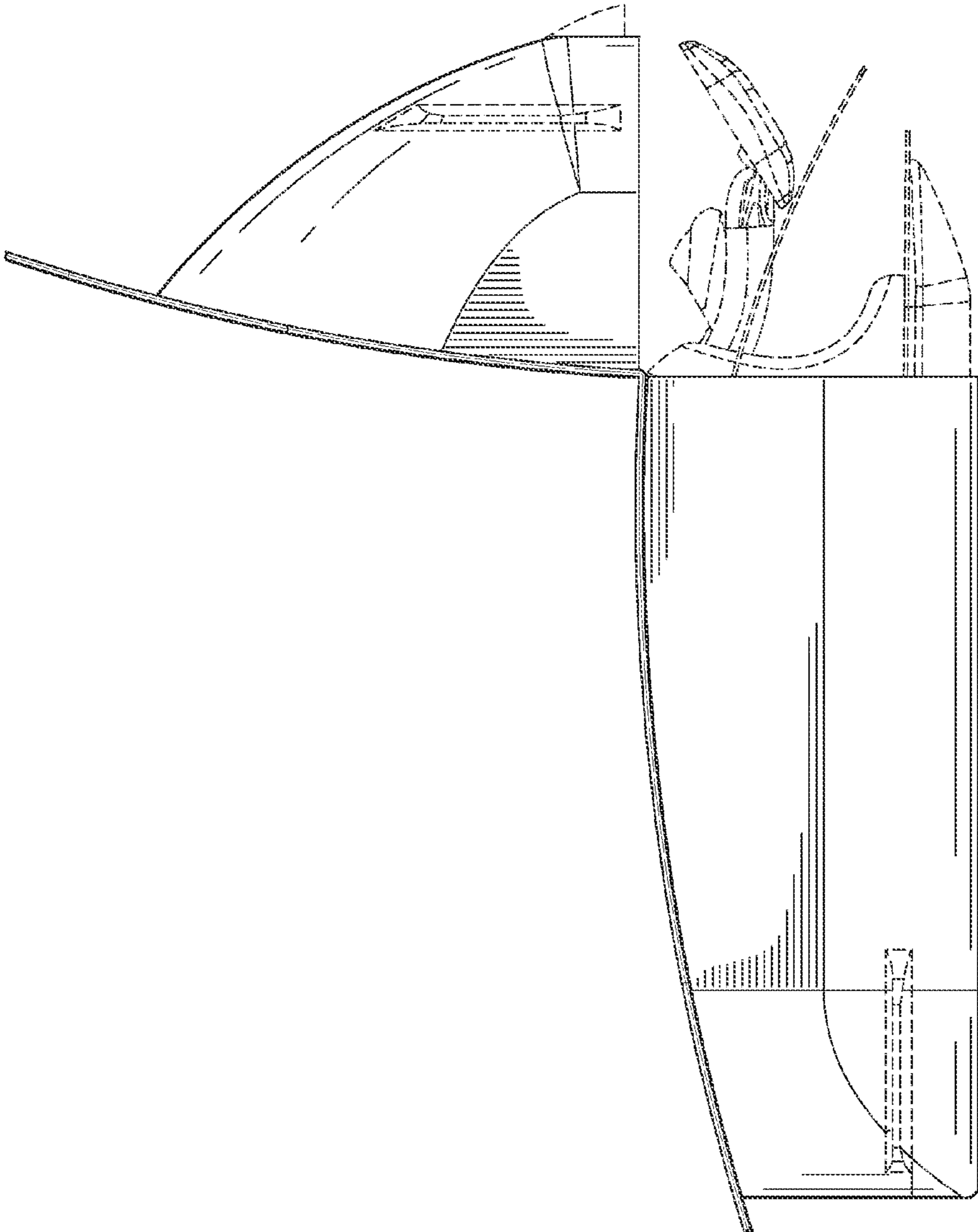


FIG. 9

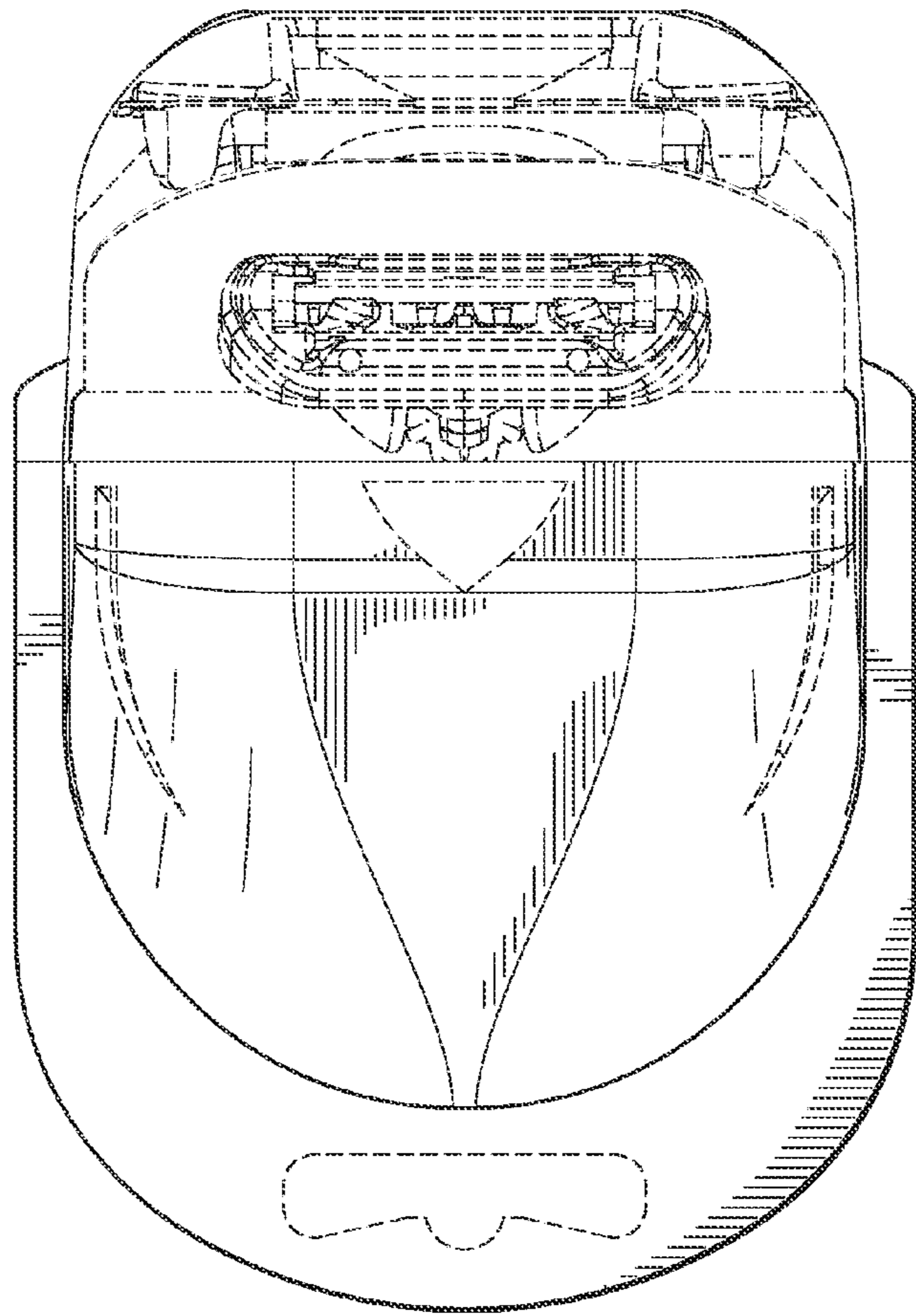


FIG. 10