



US00D662810S

(12) **United States Design Patent**
Clarke

(10) **Patent No.:** **US D662,810 S**
(45) **Date of Patent:** **** Jul. 3, 2012**

- (54) **STRAIN RELIEF NUT**
- (76) **Inventor:** **Michael Clarke**, Grand Rapids Township, MI (US)
- (**) **Term:** **14 Years**
- (21) **Appl. No.:** **29/411,575**
- (22) **Filed:** **Jan. 24, 2012**
- (51) **LOC (9) Cl.** **08-08**
- (52) **U.S. Cl.** **D8/397**
- (58) **Field of Classification Search** D8/399, D8/323, 328, 329, 324, 330, 325, 327, 331, D8/336, 353, 338, 334, 57, 397; D16/334; D23/302, 303; D10/69; D3/903; 4/302, 4/303; 16/309, 235, 275, 244, 379, 390, 16/430, 241, 238, 245, 236, 243, 242, 385, 16/225, 250
See application file for complete search history.

6,361,258	B1 *	3/2002	Heesch	411/178
6,387,129	B2 *	5/2002	Rieser et al.	623/13.14
6,435,564	B1	8/2002	Hohmann		
6,540,199	B2 *	4/2003	Hung et al.	248/694
6,779,269	B2	8/2004	Green		
D497,100	S *	10/2004	Stephen et al.	D8/382
D501,539	S	2/2005	Dyer		
7,011,342	B2	3/2006	Guivarc'h		
7,108,292	B2	9/2006	Lipscomb		
7,178,836	B2	2/2007	Hoff		
D555,461	S *	11/2007	Tincher	D8/370
D562,669	S *	2/2008	Kipperman	D8/323
D613,595	S *	4/2010	Huang	D8/397
7,934,927	B2 *	5/2011	Yazdi	433/18
2009/0250924	A1	10/2009	Tisbo		

FOREIGN PATENT DOCUMENTS

AU 715647 B2 2/2000

* cited by examiner

Primary Examiner — Cynthia Underwood
(74) *Attorney, Agent, or Firm* — Carrier Blackman & Associates, P.C.; Jeffrey Gedeon; Joseph P. Carrier

(56) **References Cited**

U.S. PATENT DOCUMENTS

2,903,242	A *	9/1959	Bodine, Jr.	175/55
3,088,756	A	5/1963	May		
4,417,366	A *	11/1983	Salice	16/258
D279,163	S *	6/1985	Lye	D8/25
5,082,405	A *	1/1992	Witten	411/82
5,143,409	A	9/1992	Lalikos		
5,181,750	A	1/1993	Reum		
5,286,068	A	2/1994	Wiebe		
5,333,650	A	8/1994	Folkman		
D391,844	S *	3/1998	Ropponen et al.	D8/382
D396,730	S *	8/1998	Schaupp	D23/259
5,816,622	A	10/1998	Carter		
5,857,711	A	1/1999	Comin-DuMong		
D434,465	S *	11/2000	Muhaluk et al.	D21/826
D454,483	S *	3/2002	Wolf	D8/394

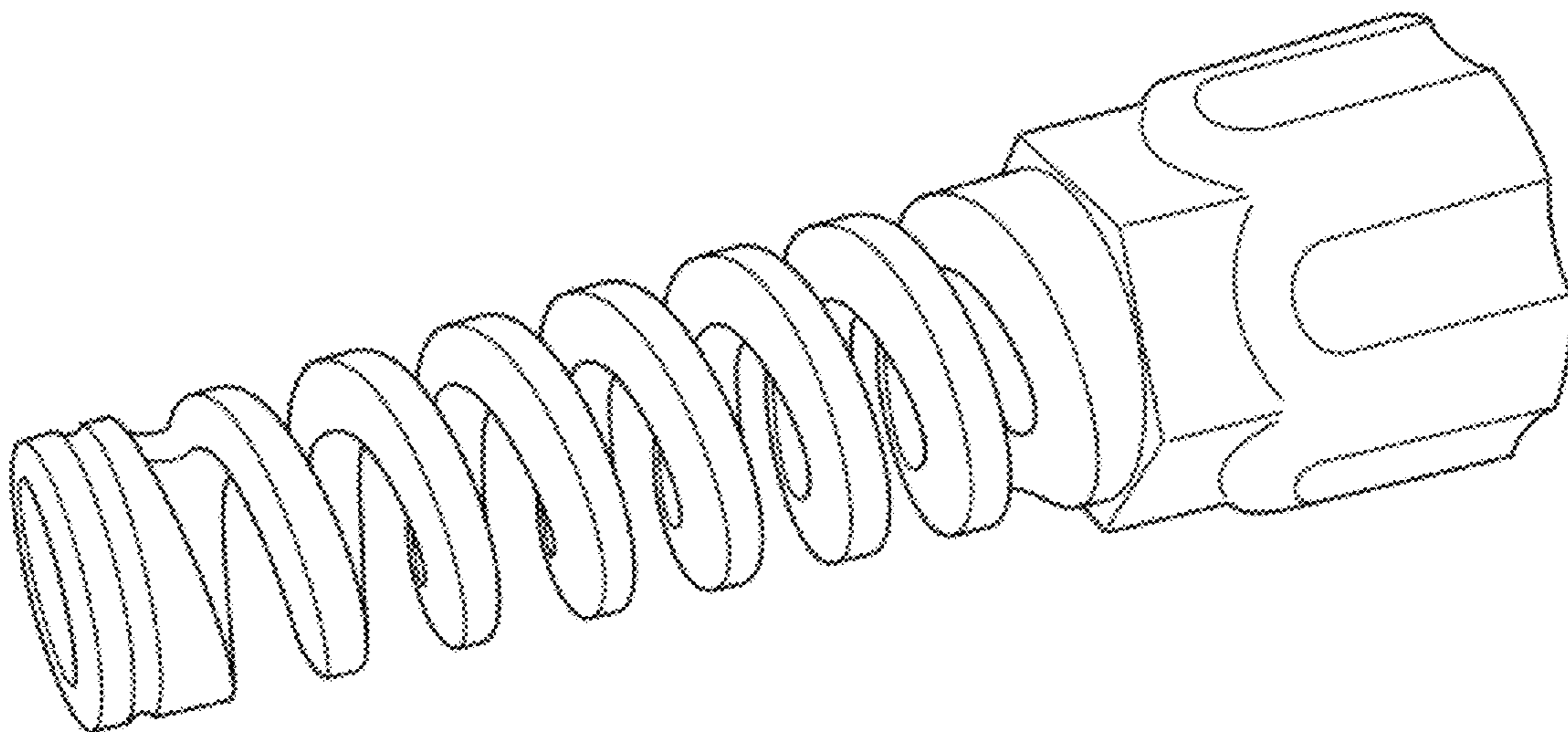
(57) **CLAIM**

The ornamental design for a strain relief nut, substantially as shown.

DESCRIPTION

FIG. 1 is a perspective view of my new, original, and ornamental design for a strain relief nut;
FIG. 2 is a second perspective view thereof;
FIG. 3 is a front side plan view thereof;
FIG. 4 is a left side plan view thereof;
FIG. 5 is a bottom plan view thereof; and,
FIG. 6 is a top plan view thereof.

1 Claim, 5 Drawing Sheets



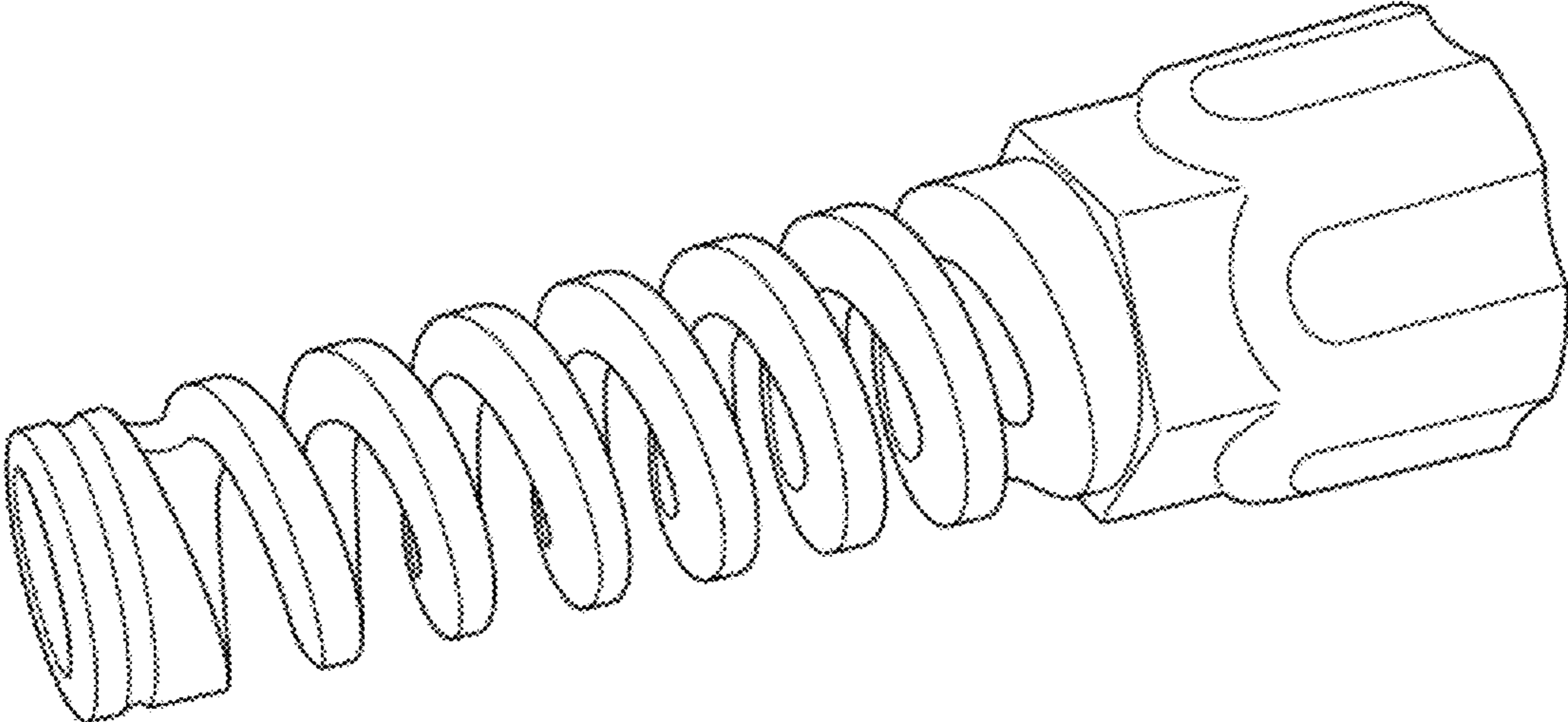


Fig. 1

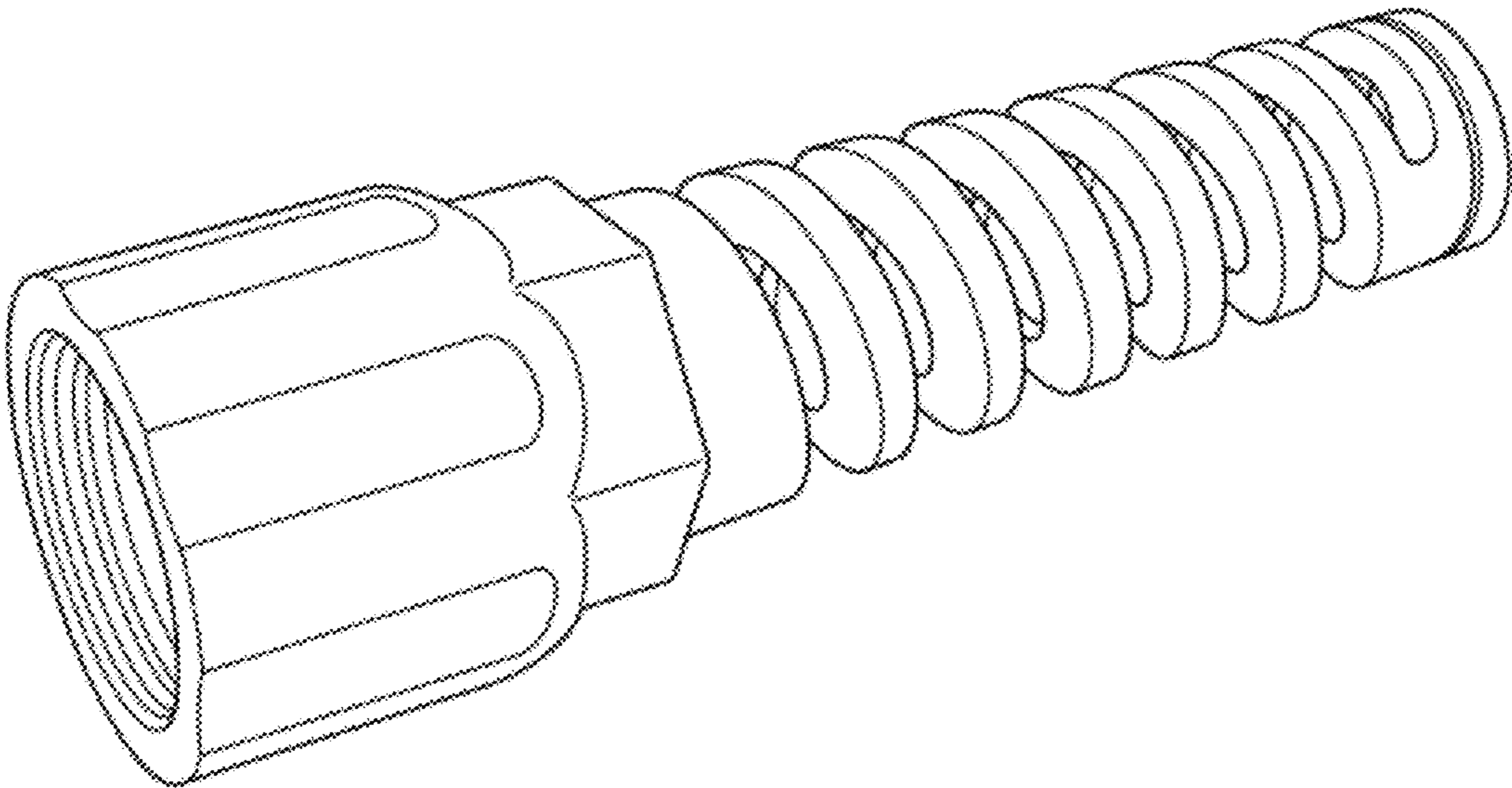


Fig. 2

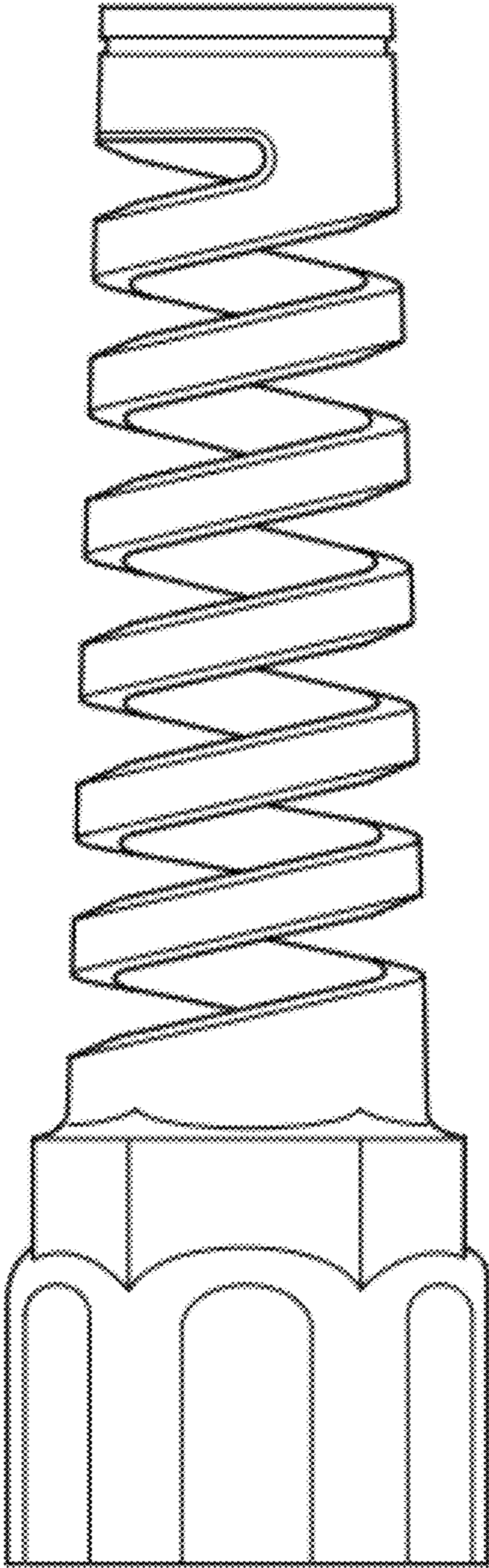


Fig. 3

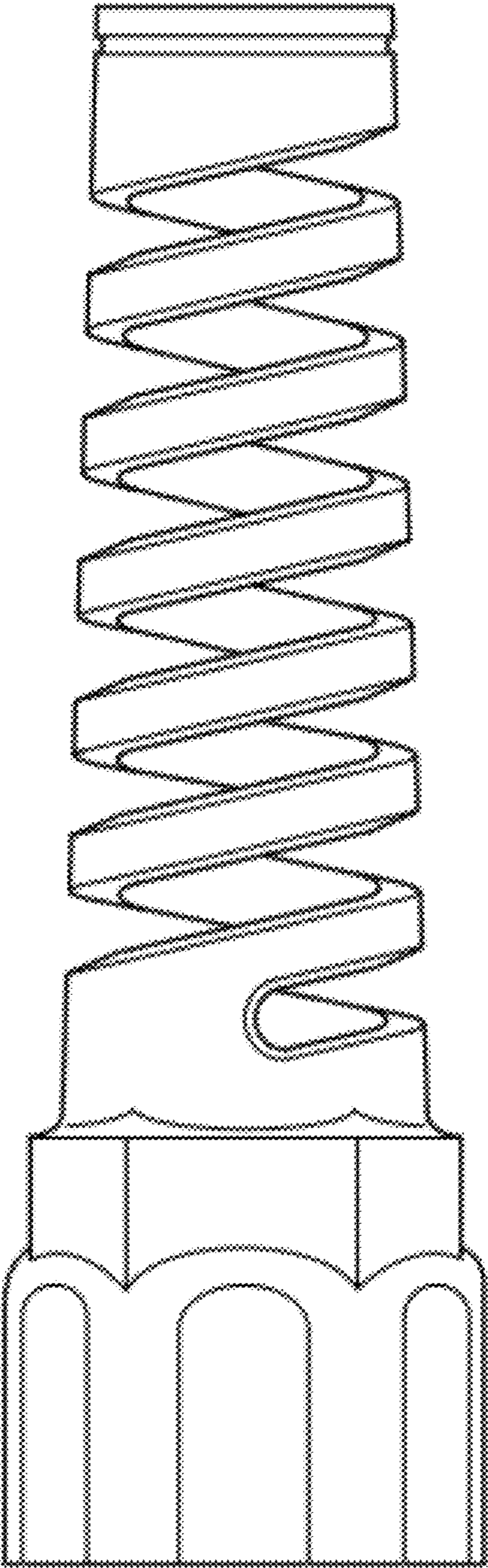


Fig. 4

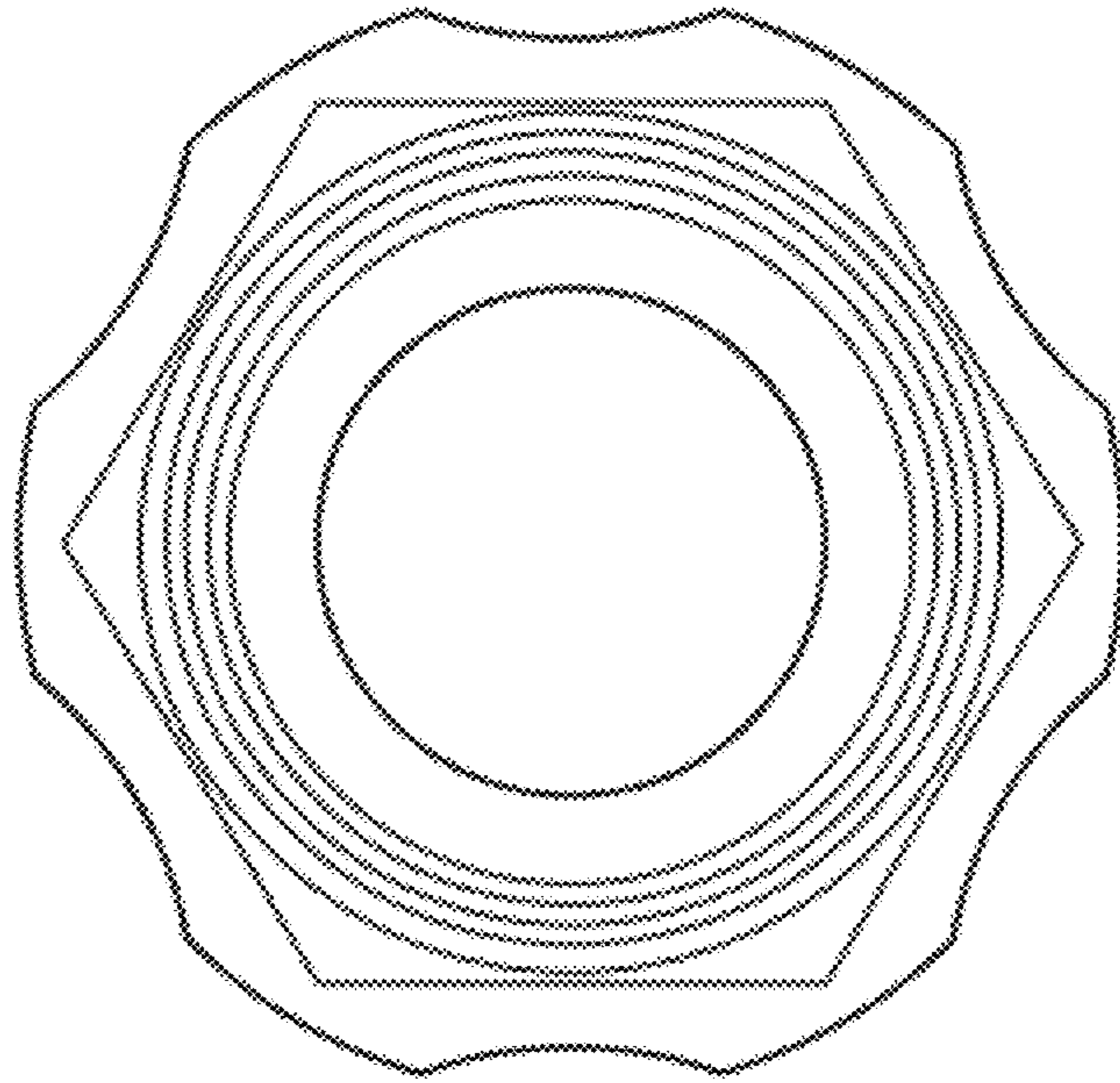


Fig. 5

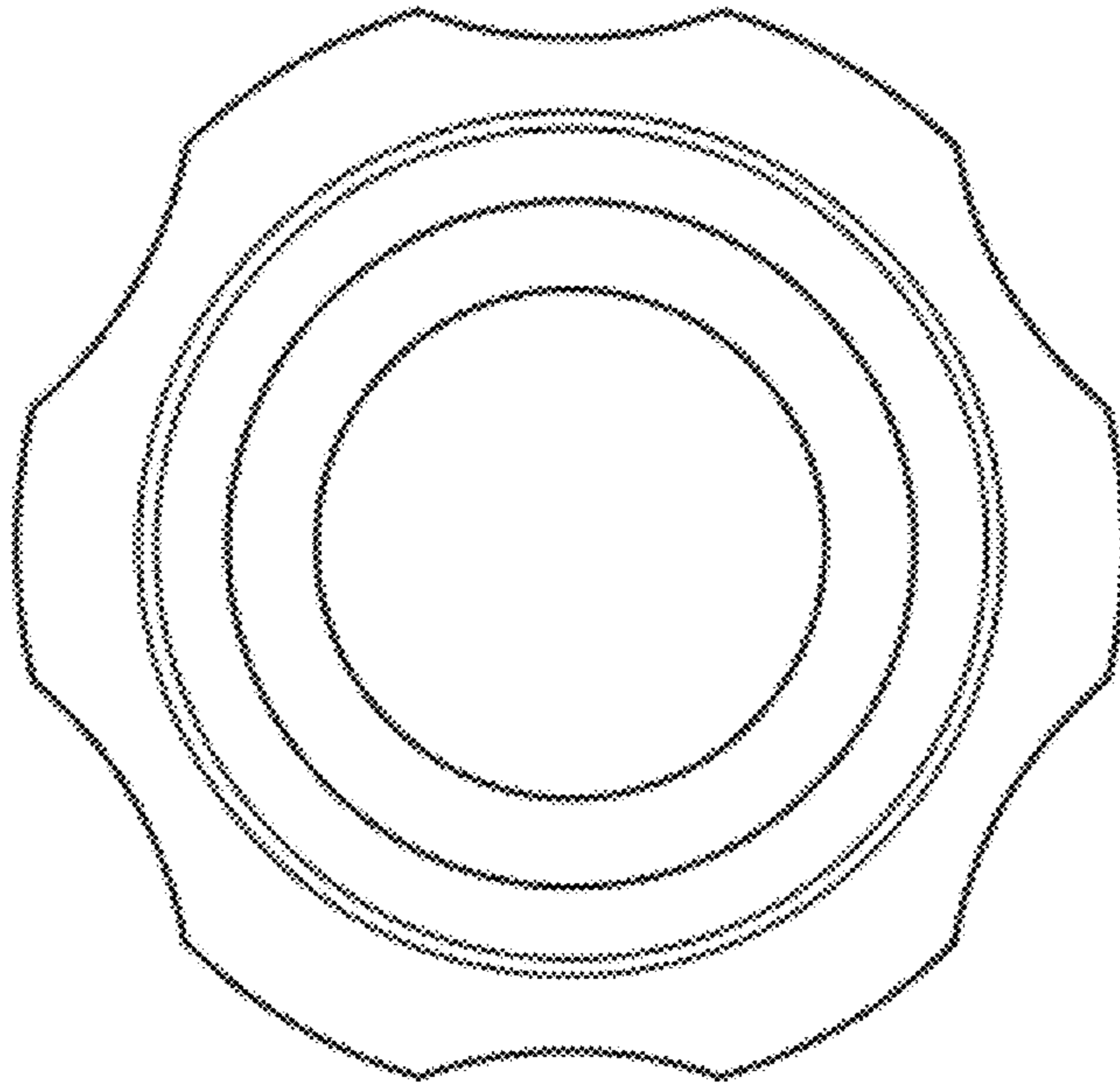


Fig. 6