



US00D662809S

(12) **United States Design Patent**
Zhang et al.

(10) **Patent No.:** **US D662,809 S**
(45) **Date of Patent:** **** *Jul. 3, 2012**

- (54) **SEISMIC PERIMETER CLIP FOR SUSPENSION CEILING SYSTEM**
- (75) Inventors: **Yuxiang Zhang**, Bradenton, FL (US);
Monika Mathur, Conshohocken, PA (US)
- (73) Assignee: **Certainteed Corporation**, Valley Forge, PA (US)
- (*) Notice: This patent is subject to a terminal disclaimer.
- (**) Term: **14 Years**
- (21) Appl. No.: **29/408,504**
- (22) Filed: **Dec. 13, 2011**
- (51) **LOC (9) Cl.** **08-08**
- (52) **U.S. Cl.** **D8/394; D8/380**
- (58) **Field of Classification Search** D8/356,
D8/371, 394-396, 380; 24/570; 248/74.2,
248/215, 227.1, 49, 300, 301, 316.7, 51,
248/489; D19/65, 56; 52/484, 489, 506.06,
52/506.07, 733.1; D23/133, 134
See application file for complete search history.

5,046,294	A	9/1991	Platt	
7,293,393	B2	11/2007	Kelly et al.	
7,552,567	B2	6/2009	Ingratta et al.	
7,614,195	B2 *	11/2009	Platt et al.	52/506.06
D617,913	S	6/2010	Shanes et al.	
7,770,349	B2	8/2010	Tedesco et al.	
7,788,872	B2	9/2010	Platt	
D637,899	S	5/2011	Tedesco et al.	
D638,286	S *	5/2011	Tedesco et al.	D8/394
D638,287	S *	5/2011	Tedesco et al.	D8/394
D638,288	S	5/2011	Tedesco et al.	
D638,289	S	5/2011	Tedesco et al.	
2005/0160696	A1 *	7/2005	Kelly et al.	52/712
2008/0060306	A1 *	3/2008	Platt et al.	52/506.06
2009/0165417	A1	7/2009	Jankovec et al.	
2011/0146194	A1	6/2011	Tedesco et al.	

* cited by examiner

Primary Examiner — John Windmuller
(74) *Attorney, Agent, or Firm* — Abel Law Group, LLP;
Alexander H. Plache

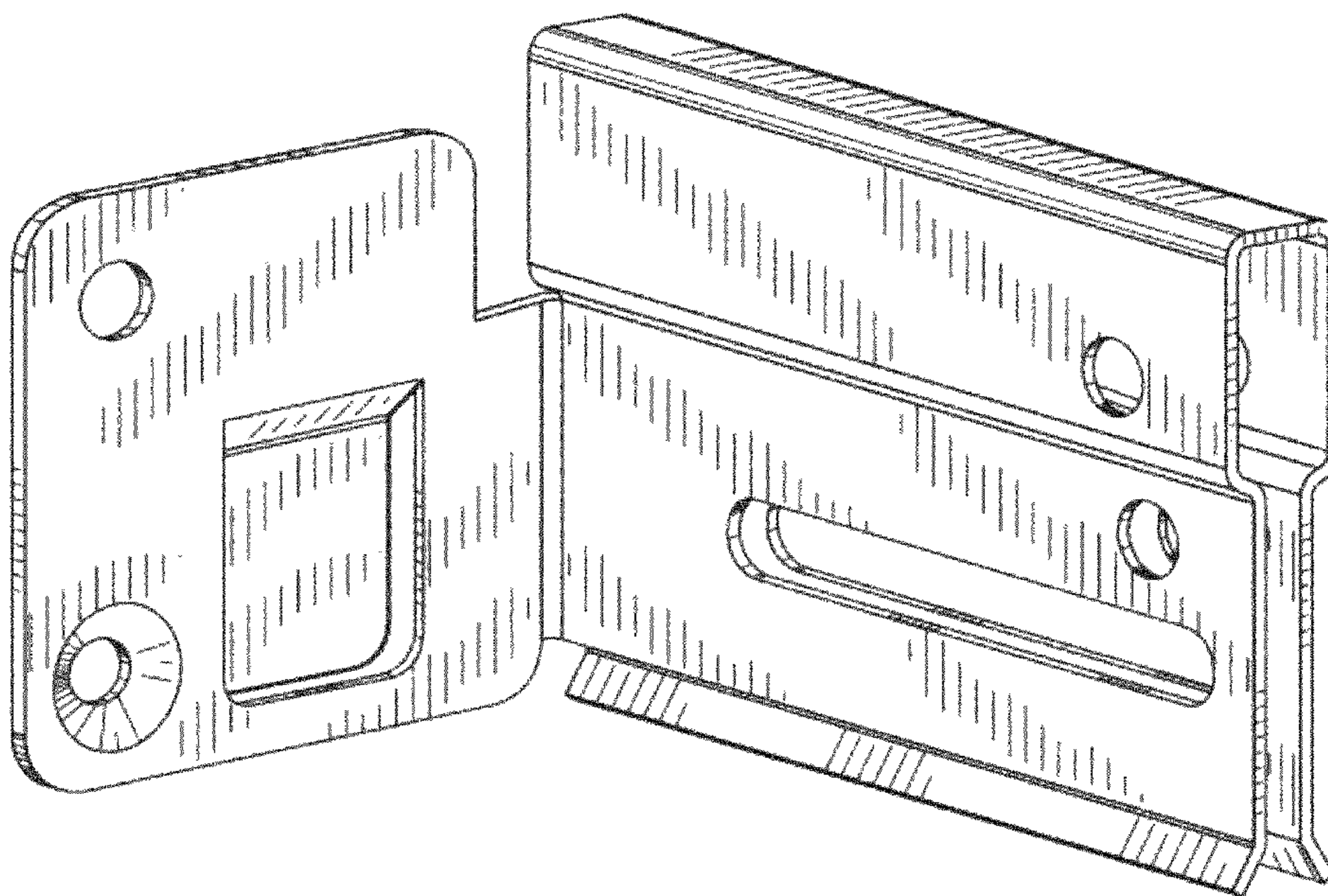
(57) **CLAIM**
The ornamental design for a seismic perimeter clip for suspension ceiling system, as shown and described.

DESCRIPTION

FIG. 1 is an isometric view of a seismic perimeter clip for suspension ceiling system showing our new design. FIGS. 2 and 3 are front and back views of the clip of FIG. 1; FIGS. 4 and 5 are side views of the clip of FIG. 1; and, FIGS. 6 and 7 are top and bottom views of the clip of FIG. 1.

1 Claim, 4 Drawing Sheets

- (56) **References Cited**
U.S. PATENT DOCUMENTS
4,479,341 A 10/1984 Schuplin
D309,027 S 7/1990 Noone et al.



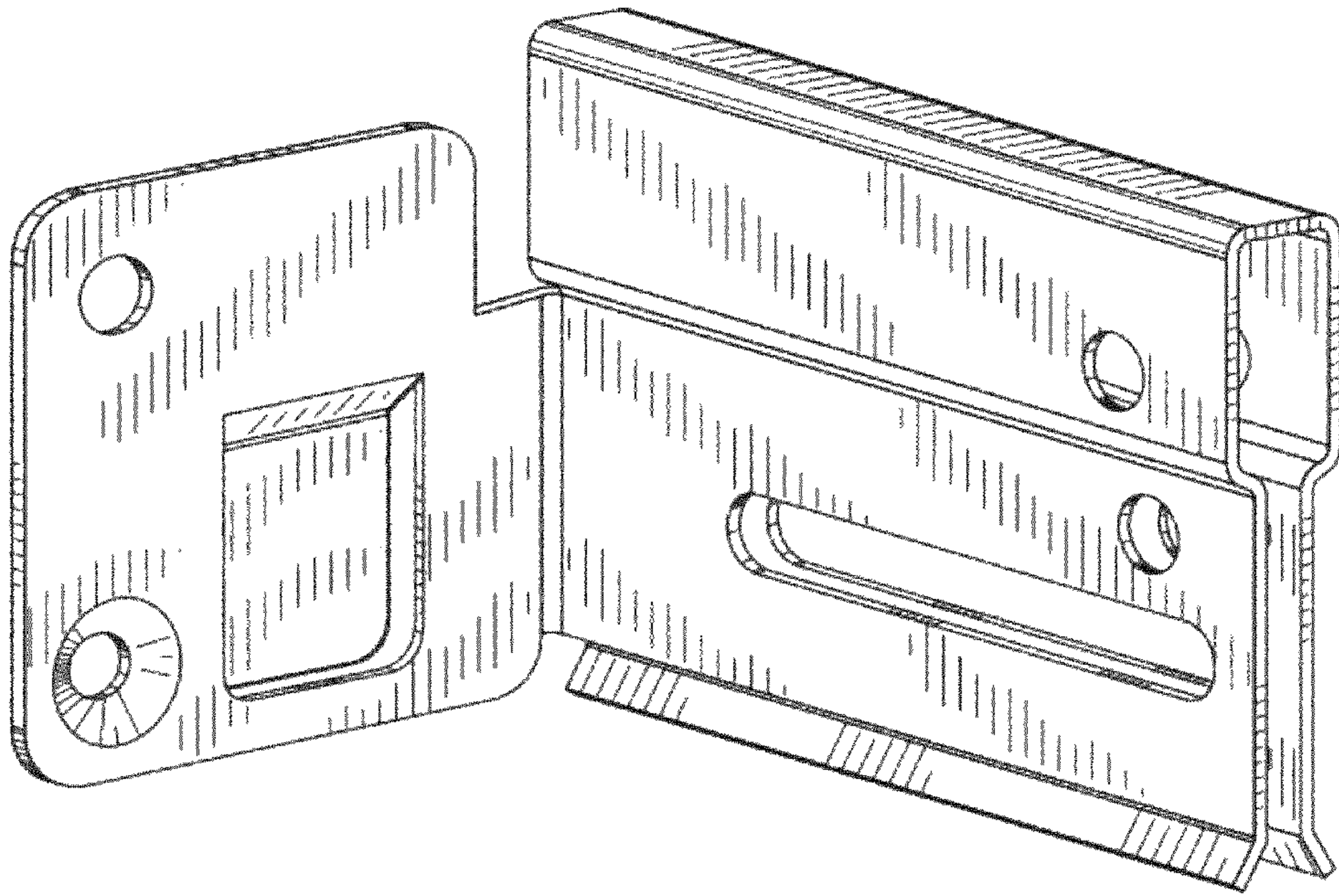


FIG. 1

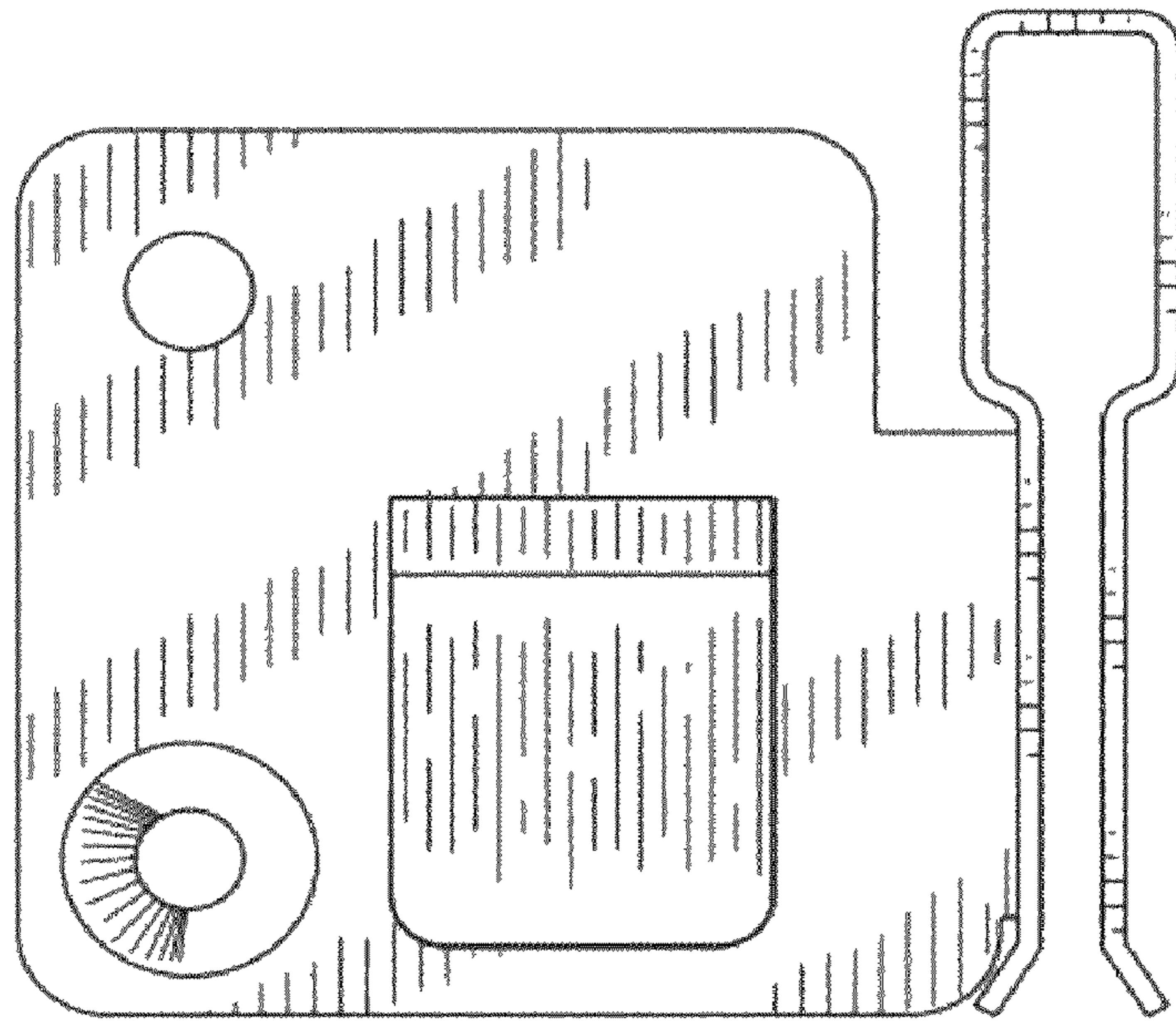


FIG. 2

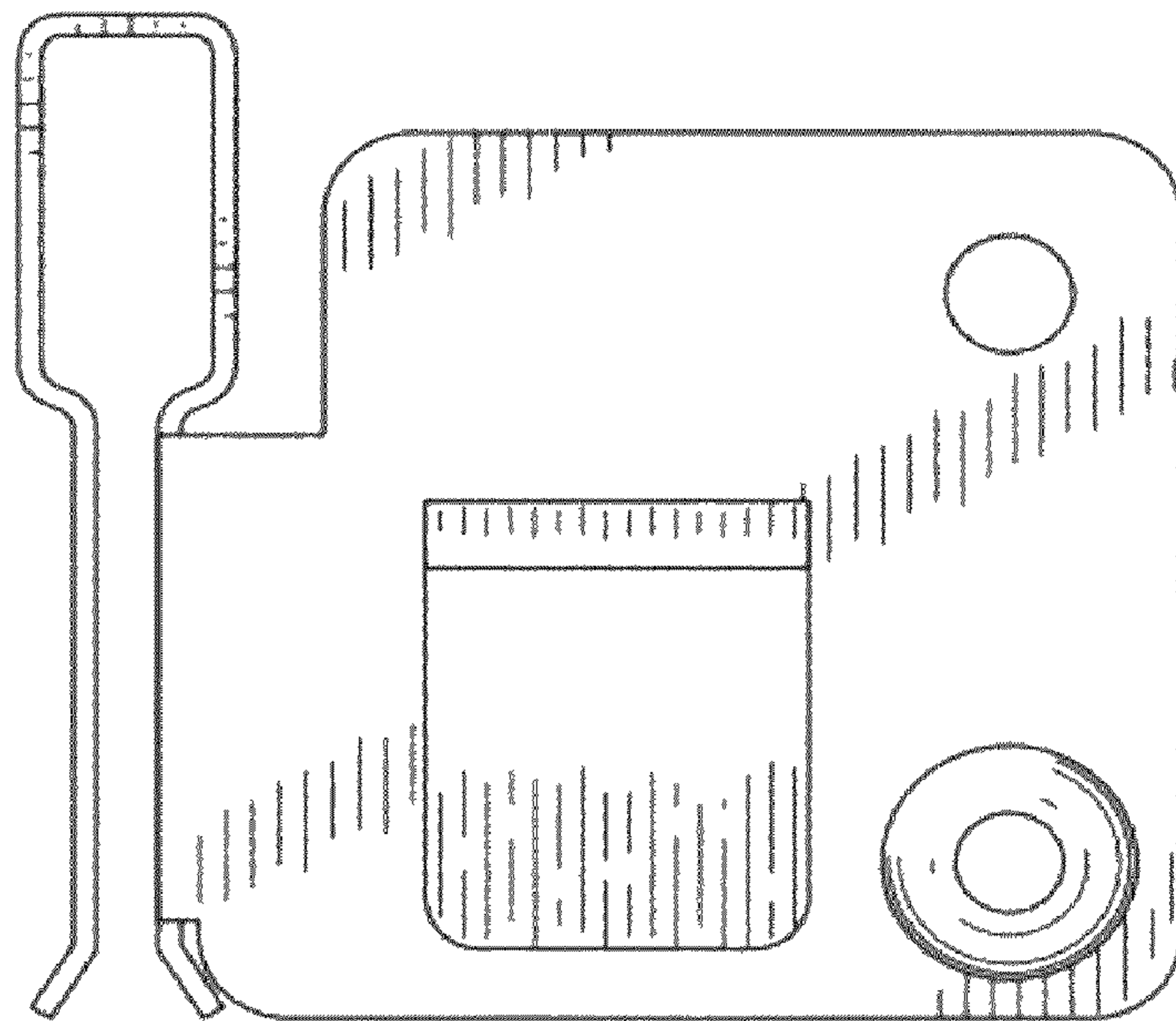


FIG. 3

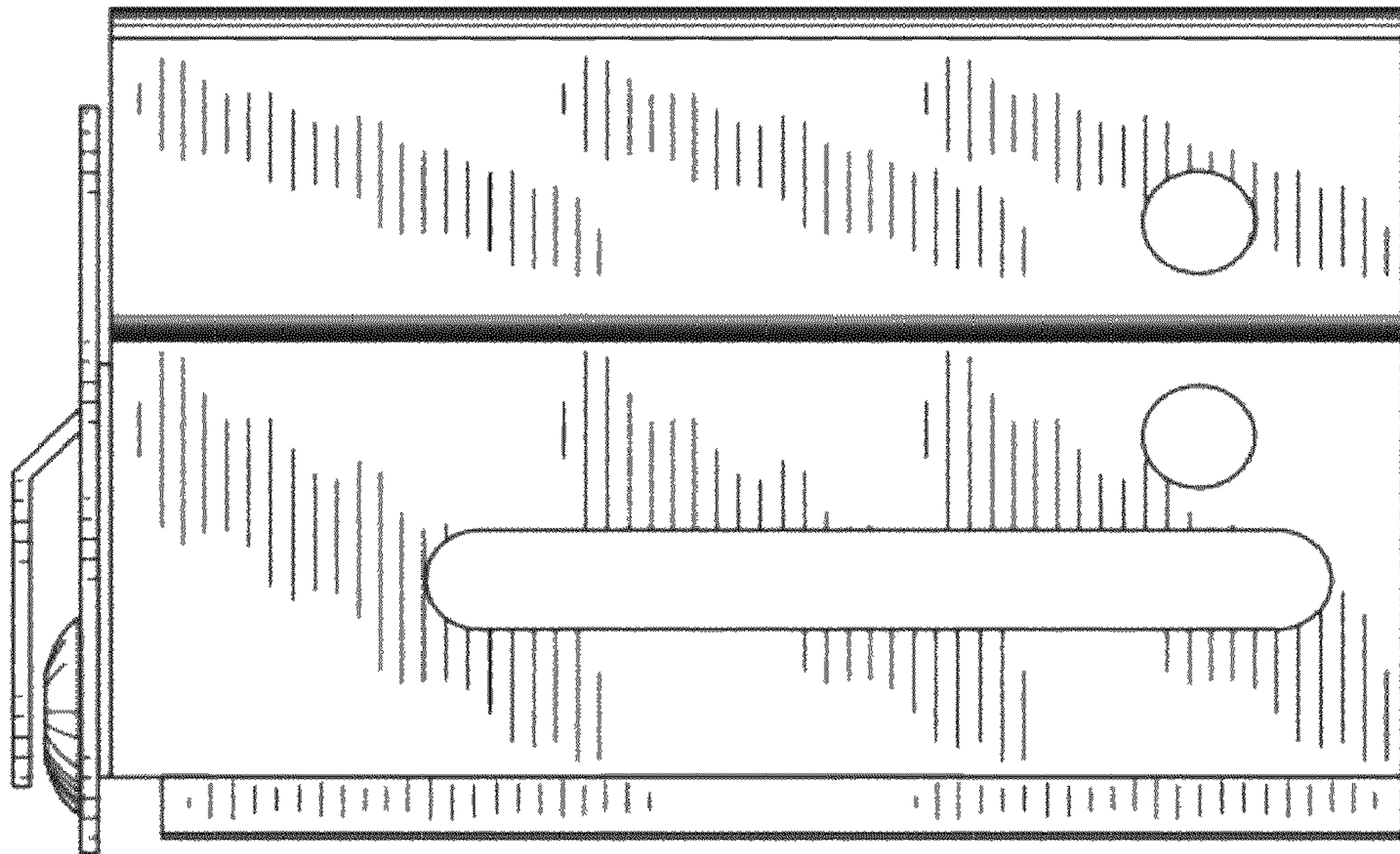


FIG. 4

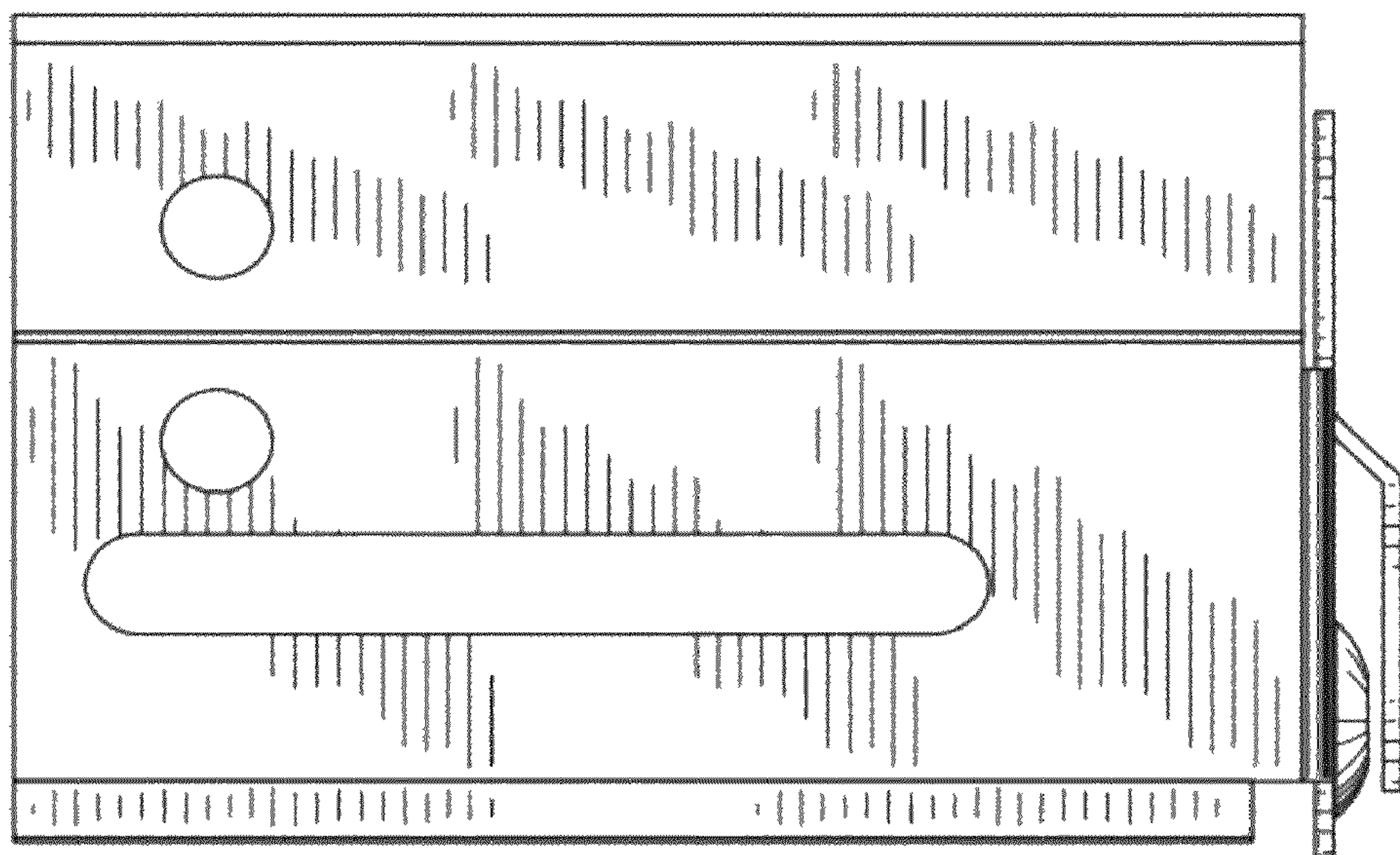


FIG. 5

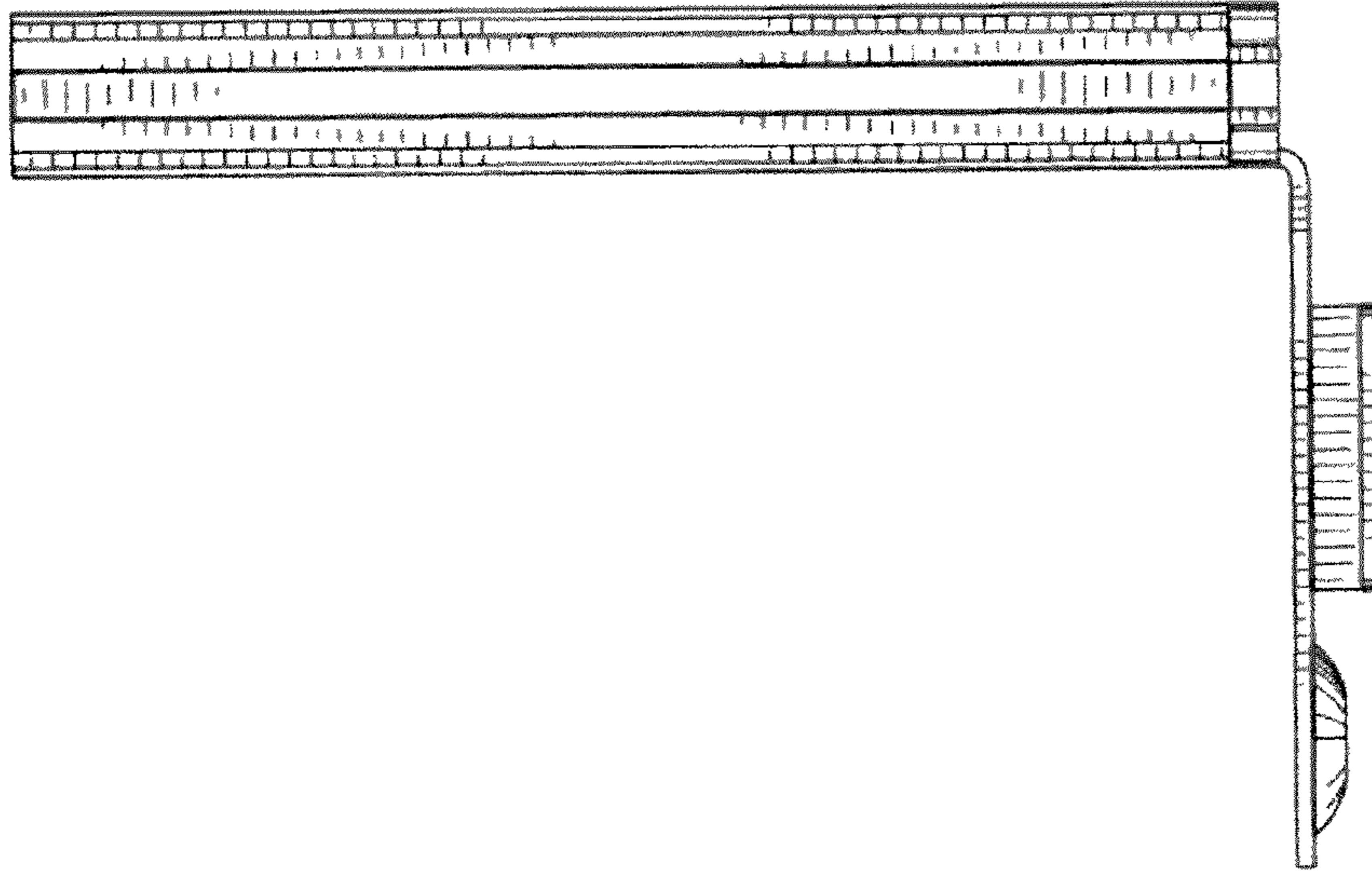


FIG. 7

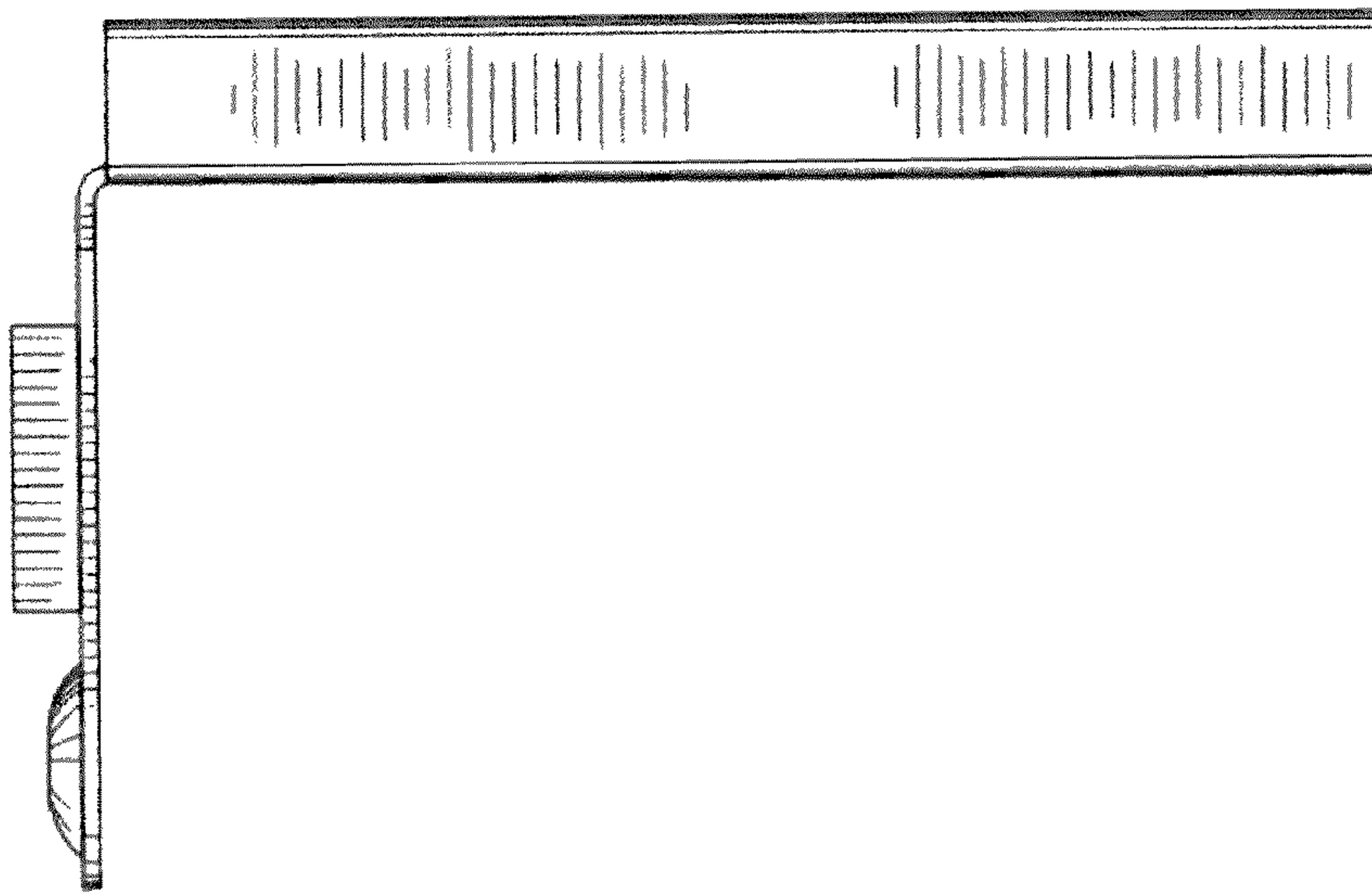


FIG. 6