



US00D662806S

(12) **United States Design Patent**
Shaw et al.

(10) **Patent No.:** **US D662,806 S**
(45) **Date of Patent:** **** Jul. 3, 2012**

(54) **ELECTRICAL EQUIPMENT MOUNTING FRAME**

(75) Inventors: **Steven A. Shaw**, Greenville, NC (US);
Tom Stallings, Macclesfield, NC (US);
Brent J. Ackermann, Reidsville, NC (US);
Harshavardhan M. Karandikar, Longwood, FL (US)

(73) Assignee: **ABB Technology AG**, Zurich (CH)

(**) Term: **14 Years**

(21) Appl. No.: **29/387,608**

(22) Filed: **Mar. 15, 2011**

(51) **LOC (9) Cl.** **08-05**

(52) **U.S. Cl.** **D8/380; D14/239**

(58) **Field of Classification Search** D8/364,
D8/366; 108/26; 174/42, 146; 211/107;
248/441.1; 297/188.01

See application file for complete search history.

(56) **References Cited**

U.S. PATENT DOCUMENTS

3,268,655 A * 8/1966 Haigh et al. 174/146
3,475,544 A * 10/1969 Reed 174/42
3,568,968 A * 3/1971 Taylor 211/107

4,453,470 A * 6/1984 Capella 108/26
D420,893 S * 2/2000 King et al. D8/364
6,186,593 B1 * 2/2001 Garneau 297/188.01
D562,115 S * 2/2008 Michaud et al. D8/366
7,455,275 B1 * 11/2008 Astadan et al. 248/441.1

* cited by examiner

Primary Examiner — Susan Bennett Hattan

Assistant Examiner — Barbara B Lohr

(74) *Attorney, Agent, or Firm* — Melissa J. Szczepanik

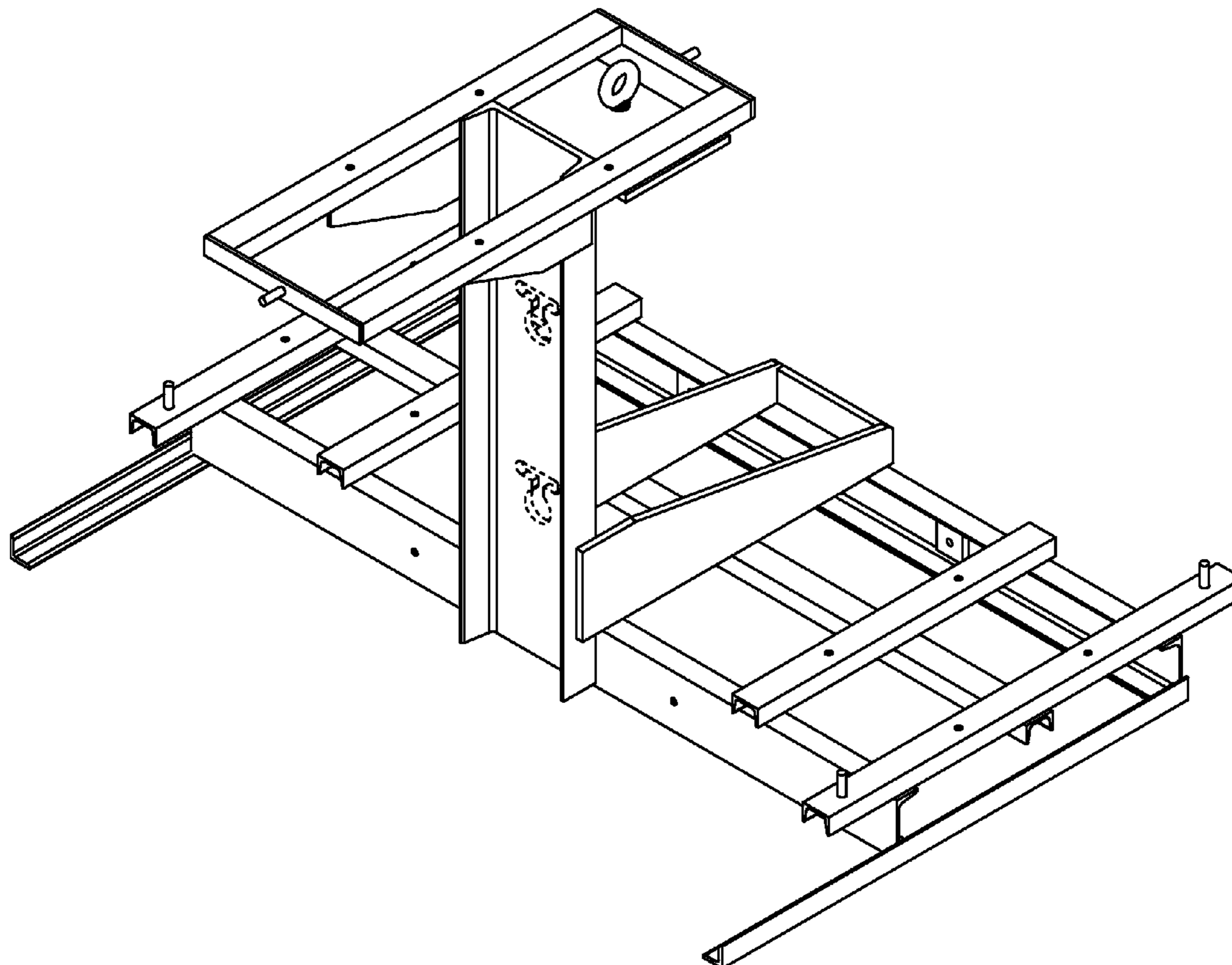
(57) **CLAIM**

We claim the ornamental design for an electrical equipment mounting frame, as shown and described.

DESCRIPTION

FIG. 1 is an isometric view of an electrical equipment mounting frame showing our new design;
FIG. 2 is a front view of the FIG. 1 mounting frame;
FIG. 3 is a right side view of the FIG. 1 mounting frame;
FIG. 4 is a left side view of the FIG. 1 mounting frame;
FIG. 5 is a rear view of the FIG. 1 mounting frame;
FIG. 6 is a top view of the FIG. 1 mounting frame; and,
FIG. 7 is a bottom view of the FIG. 1 mounting frame.
The broken lines shown represent unclaimed subject matter and form no part of the claimed design.

1 Claim, 7 Drawing Sheets



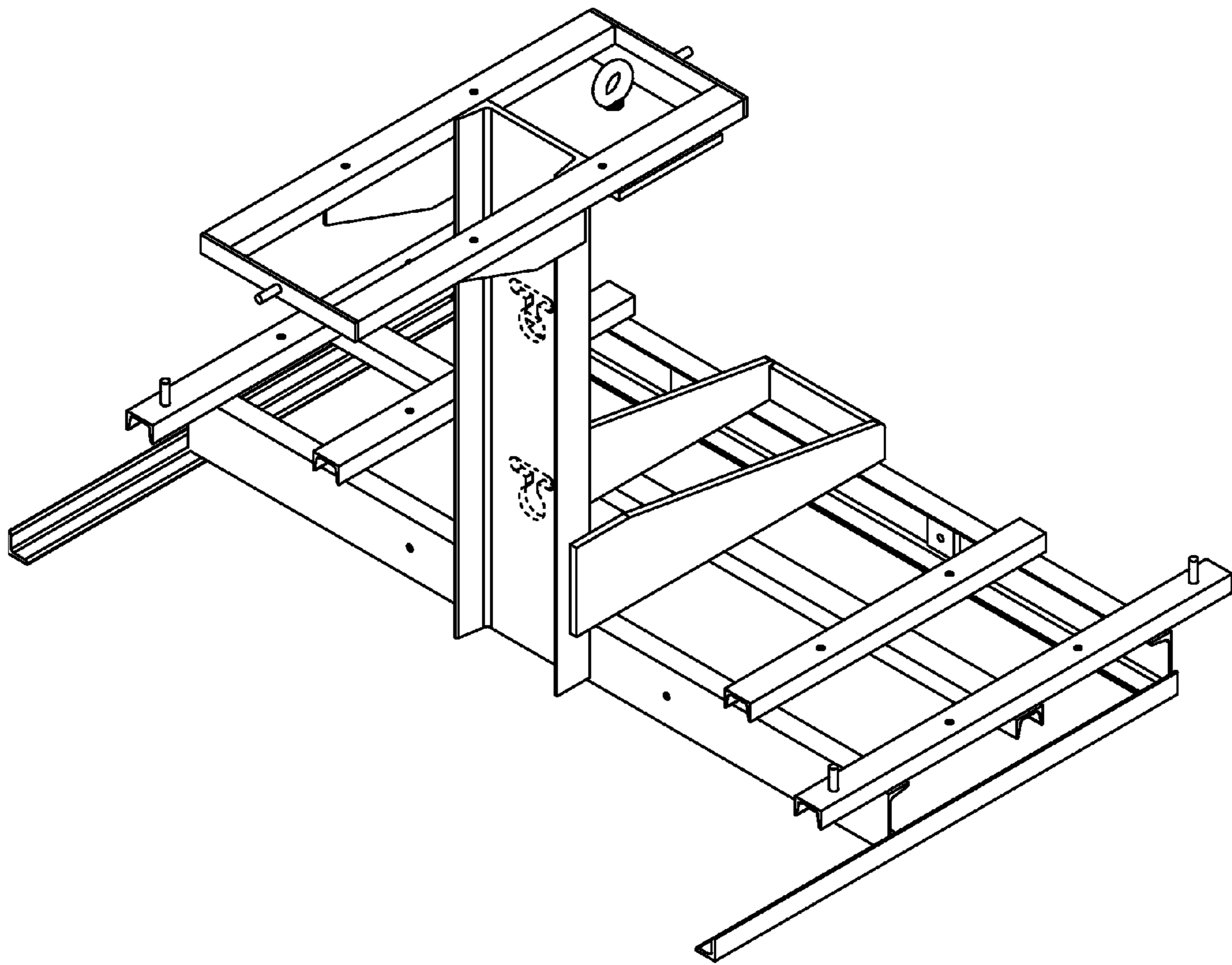


FIG. 1

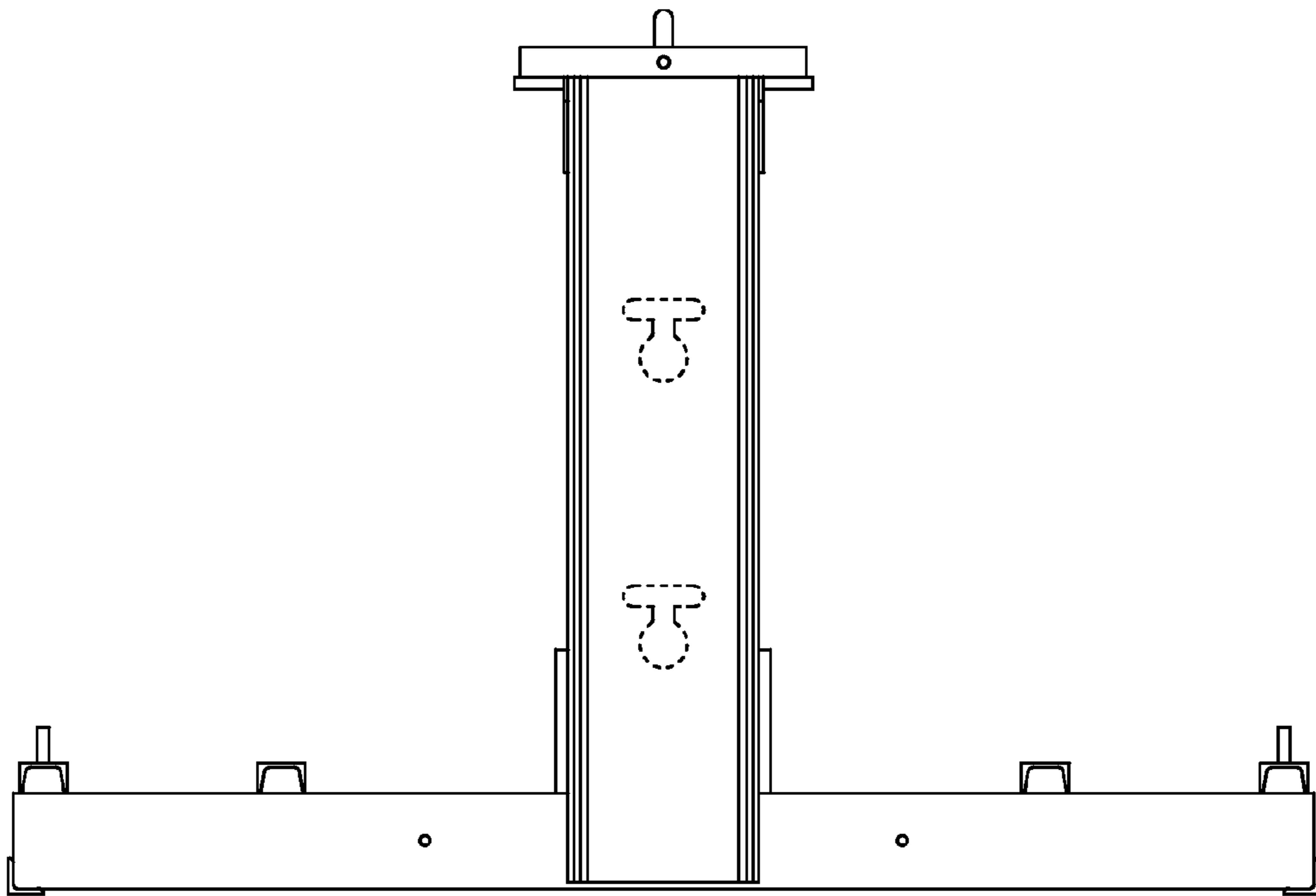


FIG. 2

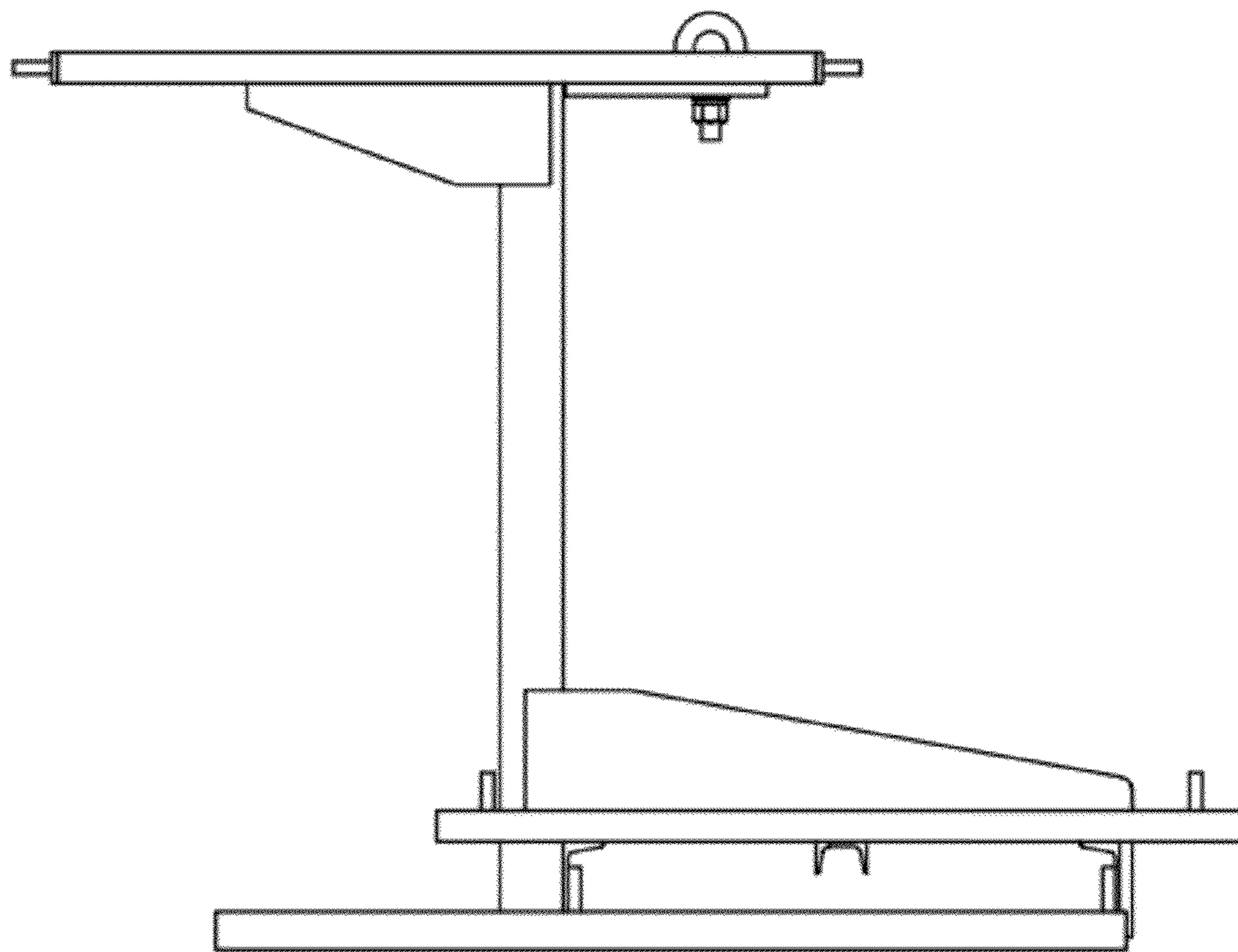


FIG. 3

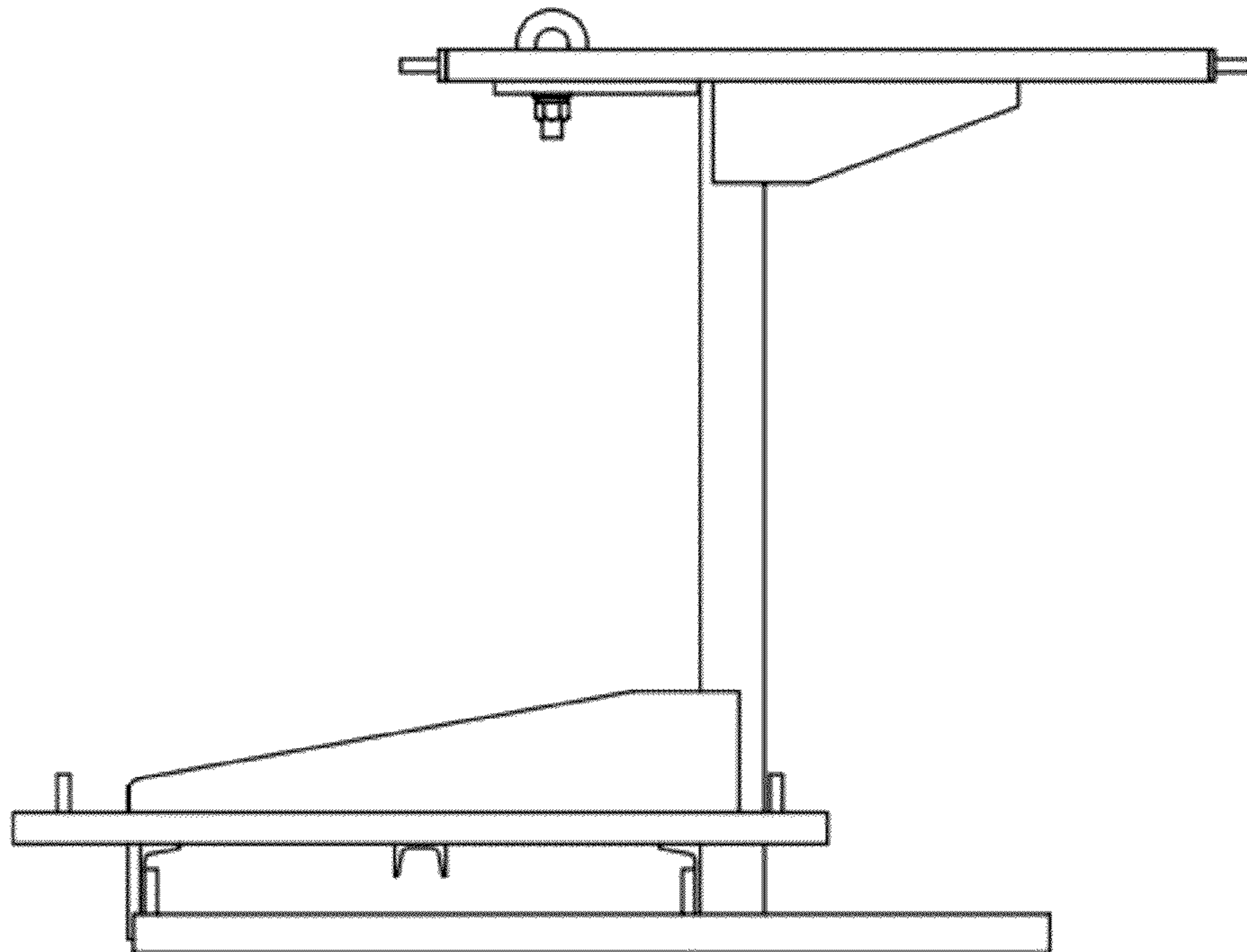


FIG. 4

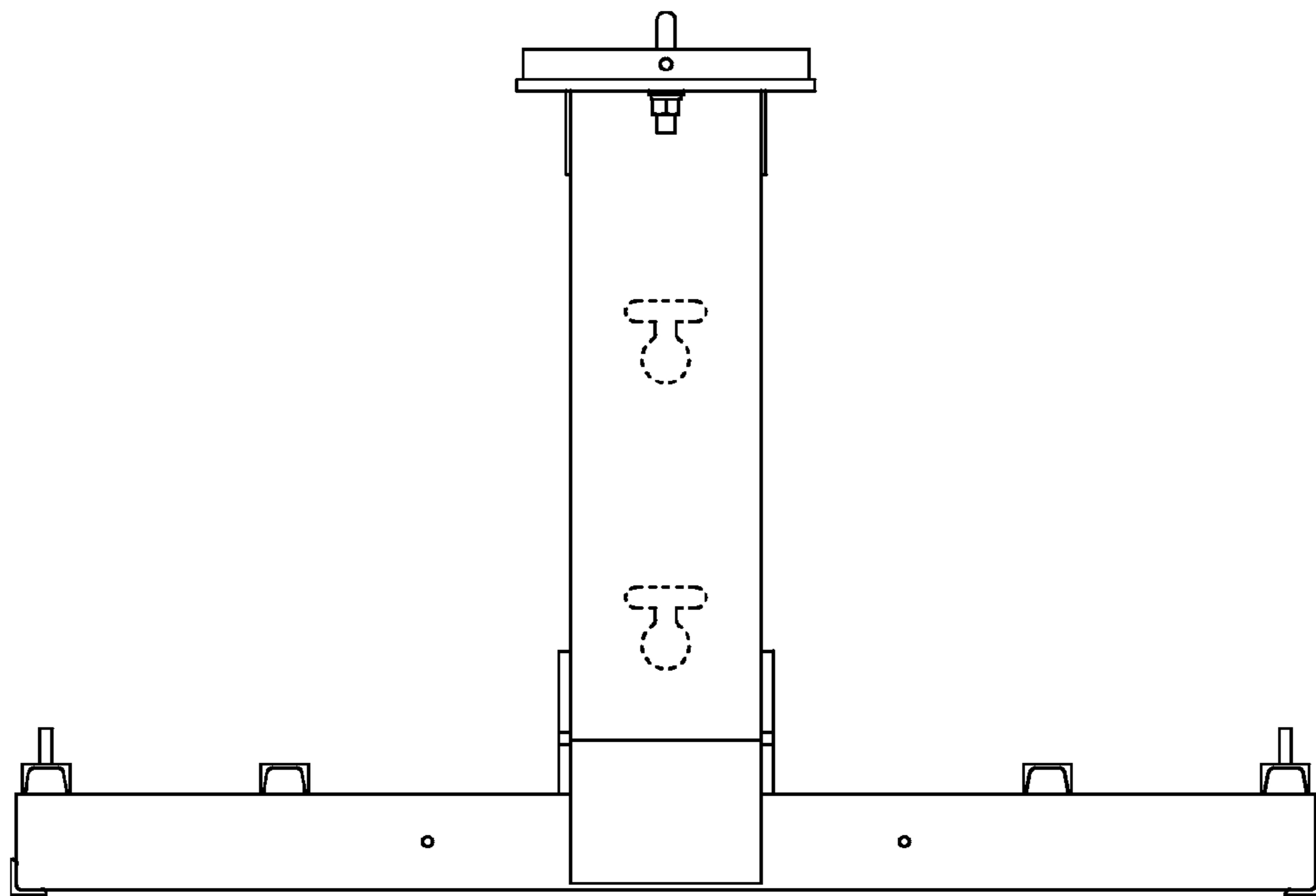


FIG. 5

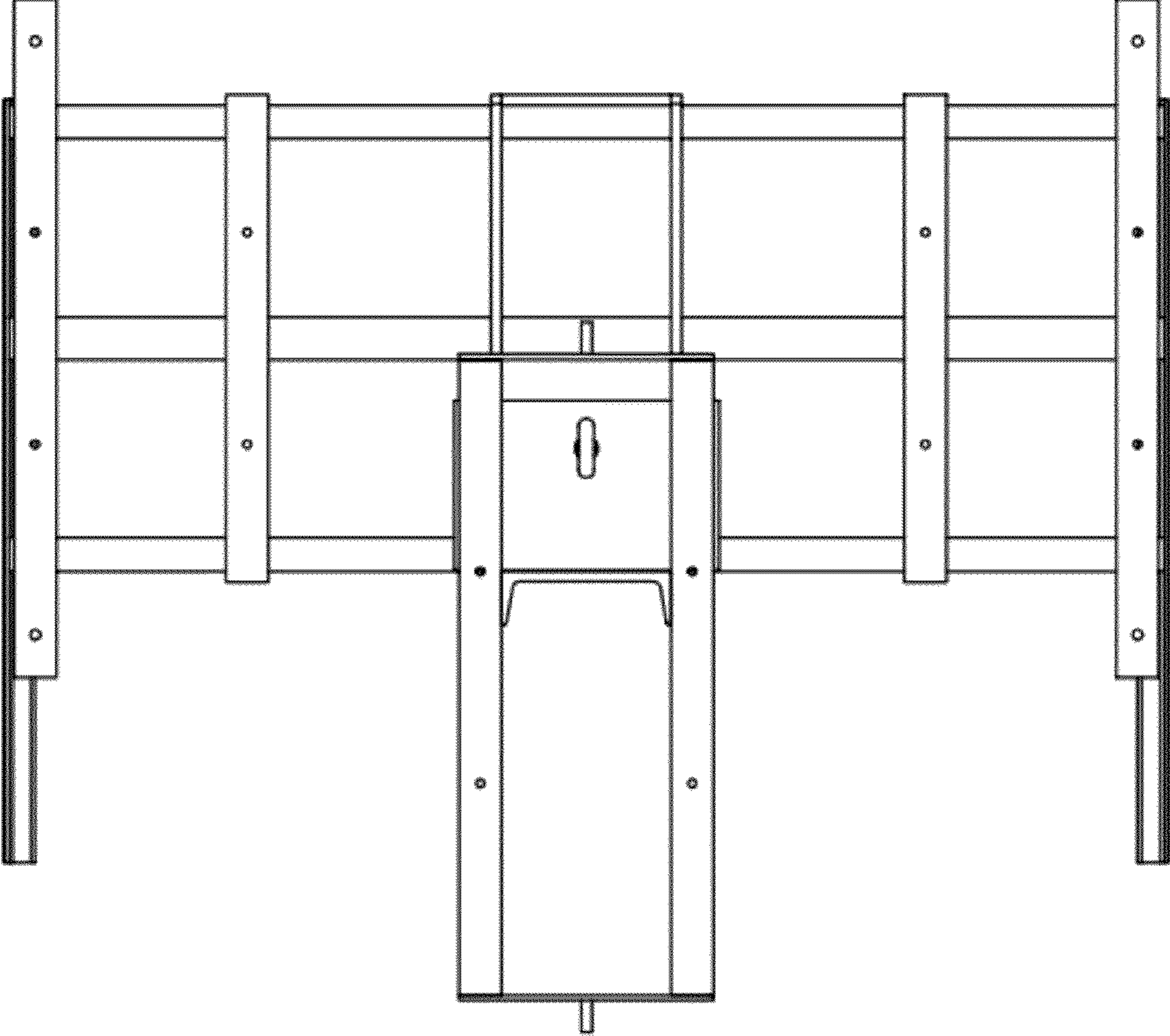


FIG. 6

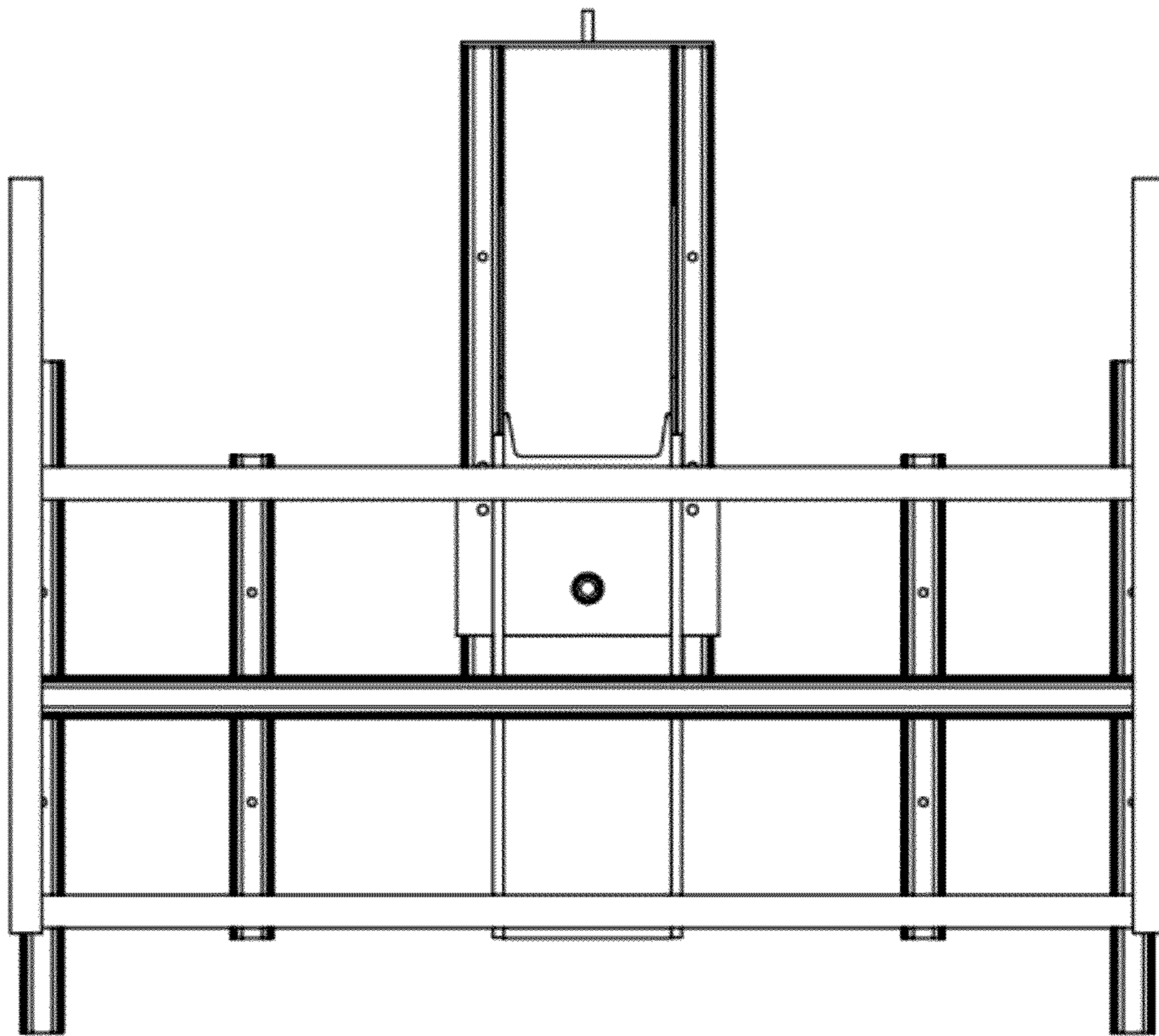


FIG. 7