



US00D662802S

(12) **United States Design Patent**
DeBaker

(10) **Patent No.:** **US D662,802 S**

(45) **Date of Patent:** **** Jul. 3, 2012**

(54) **TOOL BIT**

(75) Inventor: **Joseph M. DeBaker**, Pewaukee, WI (US)

(73) Assignee: **Milwaukee Electric Tool Corporation**, Brookfield, WI (US)

(**) Term: **14 Years**

(21) Appl. No.: **29/401,611**

(22) Filed: **Sep. 13, 2011**

Primary Examiner — Philip S Hyder

Assistant Examiner — Roselynn Cody

(74) *Attorney, Agent, or Firm* — Michael Best & Friedrich LLP

(57) **CLAIM**

I claim the ornamental design for a tool bit, as shown and described.

Related U.S. Application Data

(62) Division of application No. 29/383,445, filed on Jan. 18, 2011.

(51) **LOC (9) Cl.** **08-04**

(52) **U.S. Cl.** **D8/86**

(58) **Field of Classification Search** D8/70,
D8/82-87; 81/436, 438-441, 460-461, 489-490
See application file for complete search history.

(56) **References Cited**

U.S. PATENT DOCUMENTS

442,710 A 12/1890 Marsh

(Continued)

FOREIGN PATENT DOCUMENTS

DE 2231949 2/1973

(Continued)

OTHER PUBLICATIONS

Vessel, "Problem Solvers are ready to go!" catalog, 5 pages, printed from web site www.vessel.jp/online/pro_b_bit.html on Sep. 11, 2008.

DESCRIPTION

FIG. 1 is a front perspective view of a tool bit according to a first embodiment of the invention.

FIG. 2 is a side view of the tool bit of FIG. 1.

FIG. 3 is a front view of the tool bit of FIG. 1.

FIG. 4 is a rear view of the tool bit of FIG. 1.

FIG. 5 is a front perspective view of a tool bit according to a second embodiment of the invention.

FIG. 6 is a side view of the tool bit of FIG. 5.

FIG. 7 is a front view of the tool bit of FIG. 5.

FIG. 8 is a rear view of the tool bit of FIG. 5.

FIG. 9 is a front perspective view of a tool bit according to an third embodiment of the invention.

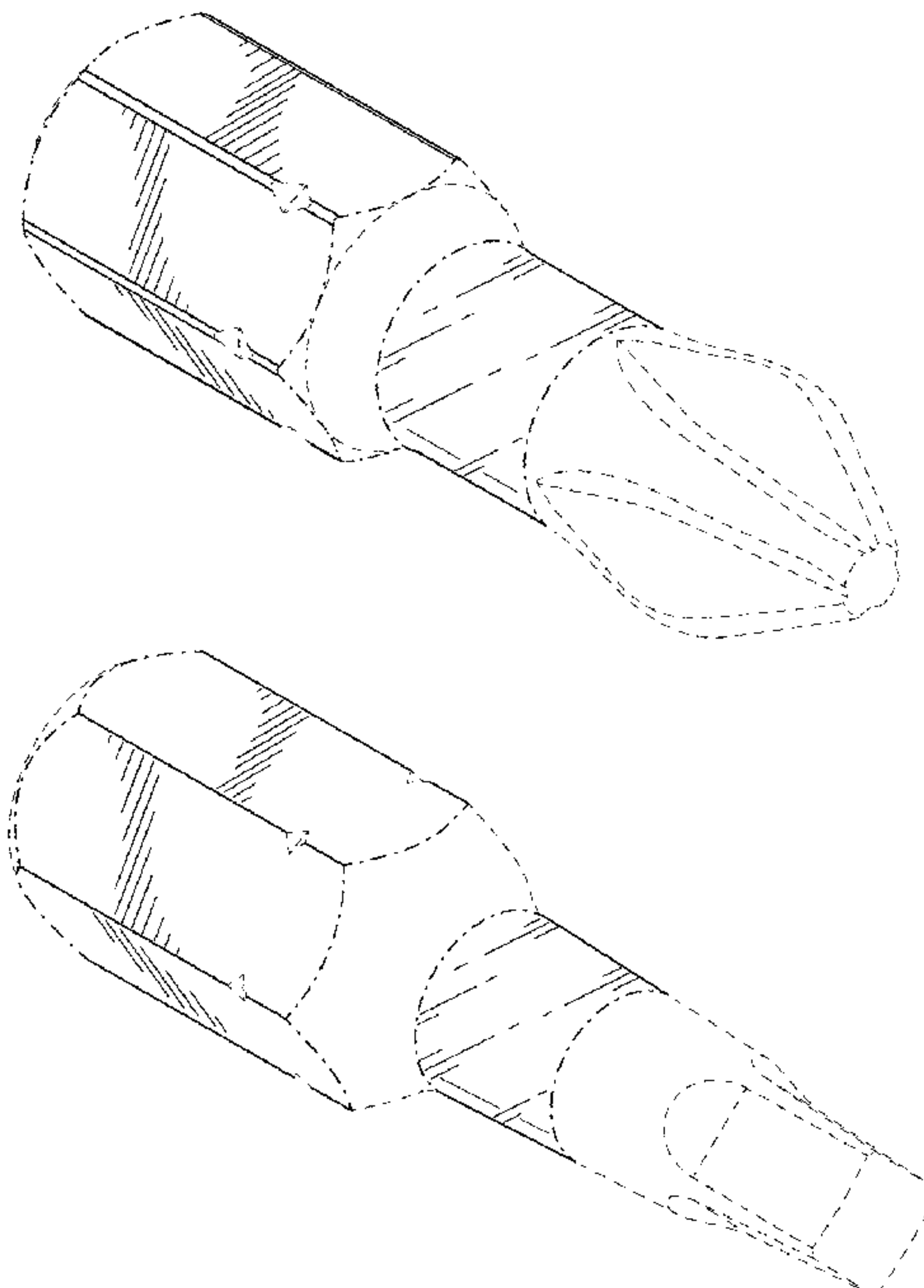
FIG. 10 is a side view of the tool bit of FIG. 9.

FIG. 11 is a front view of the tool bit of FIG. 9; and,

FIG. 12 is a rear view of the tool bit of FIG. 9.

The portions of the tool bit shown in broken lines are included for the purpose of illustrating environment and form no part of the claimed design. The portions of the tool bit shown in broken lines having unequal length segments illustrate the boundary of the claimed design and form no part of the claimed design.

1 Claim, 6 Drawing Sheets



US D662,802 S

| U.S. PATENT DOCUMENTS | | | | | | | |
|-----------------------|---|---------|------------------------|--------------|----|---------|------------------|
| 869,443 | A | 10/1907 | Lund | 5,176,050 | A | 1/1993 | Sauer et al. |
| 876,675 | A | 1/1908 | Albrecht | 5,180,042 | A | 1/1993 | Ogiso |
| 925,115 | A | 6/1909 | Loewenberg | 5,182,973 | A | 2/1993 | Martindell |
| 1,645,672 | A | 10/1927 | Van Savn | 5,199,336 | A | 4/1993 | Wuilmart |
| 1,776,525 | A | 9/1930 | Talbot | 5,228,250 | A | 7/1993 | Kesselman |
| 1,923,132 | A | 8/1933 | Witkin | 5,295,423 | A | 3/1994 | Mikic |
| 1,932,113 | A | 10/1933 | Long | 5,295,831 | A | 3/1994 | Patterson et al. |
| 1,979,460 | A | 11/1934 | Forsberg | 5,299,474 | A | 4/1994 | Hohmann et al. |
| 1,984,839 | A | 12/1934 | Murray | 5,330,230 | A | 7/1994 | Craig |
| 2,010,616 | A | 8/1935 | Walsh | RE34,680 | E | 8/1994 | Lieser |
| 2,022,703 | A | 12/1935 | Banner | D350,685 | S | 9/1994 | Perkins et al. |
| 2,216,382 | A | 10/1940 | West et al. | 5,353,667 | A | 10/1994 | Wilner |
| 2,218,631 | A | 10/1940 | West et al. | 5,370,021 | A | 12/1994 | Shigematsu |
| D128,609 | S | 8/1941 | Bakeman | D359,335 | S | 6/1995 | Cartwright |
| 2,307,556 | A | 1/1943 | Wileman | 5,535,867 | A | 7/1996 | Coccaro et al. |
| 2,366,682 | A | 1/1945 | West et al. | 5,619,882 | A | 4/1997 | Godtner |
| 2,400,684 | A | 5/1946 | Clark | 5,676,421 | A | 10/1997 | Brodsky |
| 2,410,971 | A | 11/1946 | Hartley | 5,704,261 | A | 1/1998 | Strauch et al. |
| 2,417,225 | A | 3/1947 | West et al. | 5,791,212 | A | 8/1998 | Han |
| 2,445,978 | A | 7/1948 | Stellin | 5,819,606 | A | 10/1998 | Arnold |
| D150,800 | S | 8/1948 | Magnus, Jr. | 5,830,287 | A | 11/1998 | Pinnow et al. |
| 2,515,839 | A | 7/1950 | Robertson | 5,868,047 | A | 2/1999 | Faust et al. |
| 2,522,996 | A | 9/1950 | Cone | D410,372 | S | 6/1999 | Strauch |
| 2,523,041 | A | 9/1950 | McKenzie | 5,953,969 | A | 9/1999 | Rosenhan |
| 2,537,029 | A | 1/1951 | Cambern | 5,957,012 | A | 9/1999 | McCune |
| 2,592,978 | A | 4/1952 | Trimboli | 5,984,596 | A | 11/1999 | Fehrle et al. |
| 2,621,688 | A | 12/1952 | Wales | 6,019,022 | A | 2/2000 | Dotson |
| 2,804,894 | A | 9/1957 | Rosenburg | 6,032,556 | A | 3/2000 | Hu |
| 2,820,382 | A | 1/1958 | Smith | 6,047,618 | A | 4/2000 | Pieri |
| 2,833,548 | A | 5/1958 | Clark | 6,082,227 | A | 7/2000 | Vogel |
| 2,964,931 | A | 12/1960 | Sorenson | 6,089,133 | A | 7/2000 | Liao |
| 2,969,660 | A | 1/1961 | Dale et al. | RE36,797 | E | 8/2000 | Eggert et al. |
| 3,129,571 | A | 4/1964 | Reynolds | 6,098,499 | A | 8/2000 | Pool |
| 3,151,512 | A | 10/1964 | Charczenko | D431,768 | S | 10/2000 | Feik |
| 3,213,719 | A | 10/1965 | Kloack | 6,138,539 | A | 10/2000 | Carchidi et al. |
| 3,237,741 | A | 3/1966 | Potter et al. | 6,193,242 | B1 | 2/2001 | Robison |
| 3,253,626 | A | 5/1966 | Stillwagon, Jr. et al. | D445,325 | S | 7/2001 | Fruhm |
| 3,331,267 | A | 7/1967 | Tietge | 6,257,098 | B1 | 7/2001 | Cirone |
| 3,387,669 | A | 6/1968 | Wise, Jr. et al. | 6,302,001 | B1 | 10/2001 | Karle |
| 3,392,793 | A | 7/1968 | Pauley | 6,308,598 | B1 | 10/2001 | O'Neil |
| 3,393,722 | A | 7/1968 | Windham | 6,332,384 | B1 | 12/2001 | Cluthe |
| 3,419,135 | A | 12/1968 | Millner | 6,345,560 | B1 | 2/2002 | Strauch et al. |
| 3,592,087 | A | 7/1971 | Pauley | 6,352,011 | B1 | 3/2002 | Fruhm |
| 3,703,916 | A | 11/1972 | Sundsten et al. | D455,627 | S | 4/2002 | Song |
| 3,753,625 | A | 8/1973 | Fabrizio et al. | D455,943 | S | 4/2002 | Lin |
| 3,888,144 | A | 6/1975 | Parsons | 6,393,950 | B1 | 5/2002 | Crosser |
| 3,891,017 | A | 6/1975 | Iskra | 6,435,065 | B2 | 8/2002 | Kozak et al. |
| 3,916,736 | A | 11/1975 | Clemens | D462,596 | S | 9/2002 | Fruhm |
| 3,969,810 | A | 7/1976 | Pagano | 6,490,950 | B2 | 12/2002 | Ray et al. |
| 3,985,170 | A | 10/1976 | Iskra | 6,520,055 | B1 | 2/2003 | Reusch et al. |
| 4,037,515 | A | 7/1977 | Kesselman | 6,547,562 | B2 | 4/2003 | Kumar |
| 4,092,753 | A | 6/1978 | Fuhrmann | 6,701,814 | B2 | 3/2004 | Purkapile |
| 4,096,896 | A | 6/1978 | Engel | 6,733,896 | B2 | 5/2004 | Dolan et al. |
| 4,105,056 | A | 8/1978 | Arnn | 6,761,093 | B2 | 7/2004 | Chang |
| 4,215,600 | A | 8/1980 | Kesselman | 6,792,831 | B2 | 9/2004 | Crosser |
| 4,246,811 | A | 1/1981 | Bondhus et al. | 6,883,405 | B2 | 4/2005 | Strauch |
| 4,399,723 | A | 8/1983 | Marleau | 7,010,998 | B2 | 3/2006 | Ying-Hao |
| 4,409,867 | A | 10/1983 | Lyden | 7,028,588 | B2 | 4/2006 | Shih |
| 4,573,839 | A | 3/1986 | Finnegan | 7,107,882 | B1 | 9/2006 | Chang |
| 4,680,996 | A | 7/1987 | Gold | 7,117,765 | B1 | 10/2006 | Wallden |
| 4,692,073 | A | 9/1987 | Martindell | 7,143,670 | B2 | 12/2006 | Geary |
| 4,705,124 | A | 11/1987 | Abrahamson et al. | 7,159,493 | B1 | 1/2007 | Huang |
| 4,782,574 | A | 11/1988 | Karcher et al. | 7,168,348 | B2 | 1/2007 | Holland-Letz |
| 4,800,786 | A | 1/1989 | Arnold et al. | 7,188,556 | B1 | 3/2007 | Rinner |
| 4,825,732 | A | 5/1989 | Arnold | 7,261,023 | B2 | 8/2007 | Taguchi |
| 4,833,951 | A | 5/1989 | Karcher et al. | 7,331,263 | B2 | 2/2008 | Erickson et al. |
| 4,836,059 | A | 6/1989 | Arnold | 7,437,979 | B1 | 10/2008 | Wang |
| 4,852,196 | A | 8/1989 | Martin | D600,525 | S | 9/2009 | Meng |
| 4,884,478 | A | 12/1989 | Lieser | 7,581,470 | B1 | 9/2009 | Huang |
| 4,936,170 | A | 6/1990 | Zumeta | D623,036 | S | 9/2010 | DeBaker |
| 4,947,713 | A | 8/1990 | Arnold | D631,723 | S | 2/2011 | DeBaker |
| 4,982,627 | A | 1/1991 | Johnson | D646,139 | S | 10/2011 | Hsu D8/86 |
| 5,012,708 | A | 5/1991 | Martindell | 2004/0007095 | A1 | 1/2004 | Meng |
| 5,012,709 | A | 5/1991 | Su | 2004/0099106 | A1 | 5/2004 | Strauch et al. |
| 5,031,488 | A | 7/1991 | Zumeta | 2005/0028651 | A1 | 2/2005 | Crosser |
| 5,070,750 | A | 12/1991 | Jones et al. | 2005/0076749 | A1 | 4/2005 | Liu |
| 5,079,978 | A | 1/1992 | Kupfer | 2005/0087045 | A1 | 4/2005 | Gryciuk et al. |
| 5,140,877 | A | 8/1992 | Sloan | 2006/0027054 | A1 | 2/2006 | Wang |
| | | | | 2006/0130621 | A1 | 6/2006 | Novak et al. |

US D662,802 S

Page 3

| | | | | | | |
|--------------|-----|---------|-----------------|----|--------------|---------|
| 2006/0230887 | A1 | 10/2006 | Taguchi | JP | 2000006037 | 1/2000 |
| 2006/0266163 | A1 | 11/2006 | Crosser | JP | 2000024946 | 1/2000 |
| 2006/0286506 | A1 | 12/2006 | Birnholtz | JP | 2000167775 | 6/2000 |
| 2007/0028728 | A1 | 2/2007 | Griffiths | JP | 2000167776 | 6/2000 |
| 2007/0062382 | A1 | 3/2007 | Hu | JP | 2000198081 | 7/2000 |
| 2007/0131065 | A1 | 6/2007 | Shih | JP | 2004142005 | 5/2004 |
| 2007/0227314 | A1 | 10/2007 | Erickson et al. | JP | 2004202665 | 7/2004 |
| 2008/0034928 | A1 | 2/2008 | Sheu | JP | 2004237420 | 8/2004 |
| 2008/0047401 | A1 | 2/2008 | Lu | JP | 2005254406 | 9/2005 |
| 2008/0087142 | A1 | 4/2008 | Lin | JP | 2005254407 | 9/2005 |
| 2008/0216616 | A1 | 9/2008 | Hsieh | JP | 2006315166 A | 11/2006 |
| 2008/0295650 | A1 | 12/2008 | Hsieh | JP | 2007111790 | 5/2007 |
| 2010/0275741 | A1* | 11/2010 | Lai | JP | 2008093799 | 4/2008 |
| | | | 81/438 | WO | 8908536 | 9/1989 |
| 2010/0288086 | A1* | 11/2010 | Huang | WO | 9004498 | 5/1990 |
| | | | 81/460 | WO | 9414576 | 7/1994 |
| 2011/0283842 | A1* | 11/2011 | Lai | WO | 9415755 | 7/1994 |
| | | | 81/460 | WO | 9520470 | 8/1995 |

FOREIGN PATENT DOCUMENTS

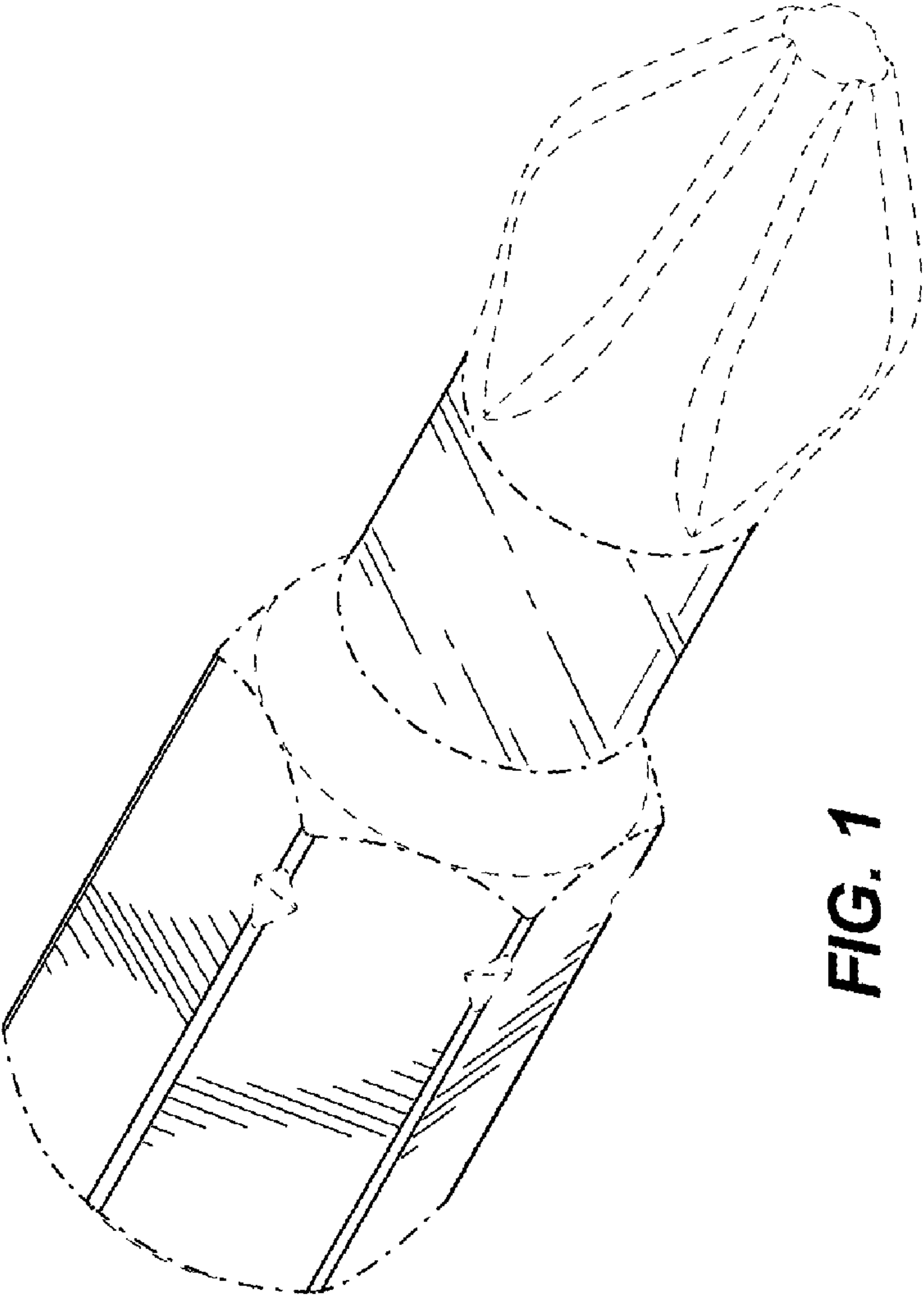
| | | |
|----|----------|---------|
| DE | 3907567 | 9/1989 |
| DE | 4207964 | 9/1993 |
| DE | 4300446 | 6/1994 |
| DE | 19614961 | 2/1997 |
| DE | 19622846 | 12/1997 |
| DE | 19628901 | 1/1998 |
| DE | 10123407 | 1/2002 |
| DE | 10144990 | 2/2003 |
| EP | 0221279 | 5/1987 |
| EP | 0279899 | 8/1988 |
| EP | 0467232 | 1/1992 |
| EP | 0610693 | 8/1994 |
| GB | 963097 | 7/1964 |
| GB | 1476441 | 6/1977 |

| | | |
|----|------------|---------|
| WO | 9630167 | 10/1996 |
| WO | 9912145 | 3/1999 |
| WO | 2006094940 | 9/2006 |
| WO | 2006100283 | 9/2006 |

OTHER PUBLICATIONS

Robert Bosch Power Tool Corporation, catalog, 1982, 3 pages.
 Black & Decker, Catalog 1(K), Sep. 26, 1960, 4 pages.
 Black & Decker, catalog, 1947, 4 pages.
 Milwaukee Tool Shockwave Bits. Snagged Jun. 18, 2011 at www.toolbarn.com and power-tools.hardwarestore.com.

* cited by examiner



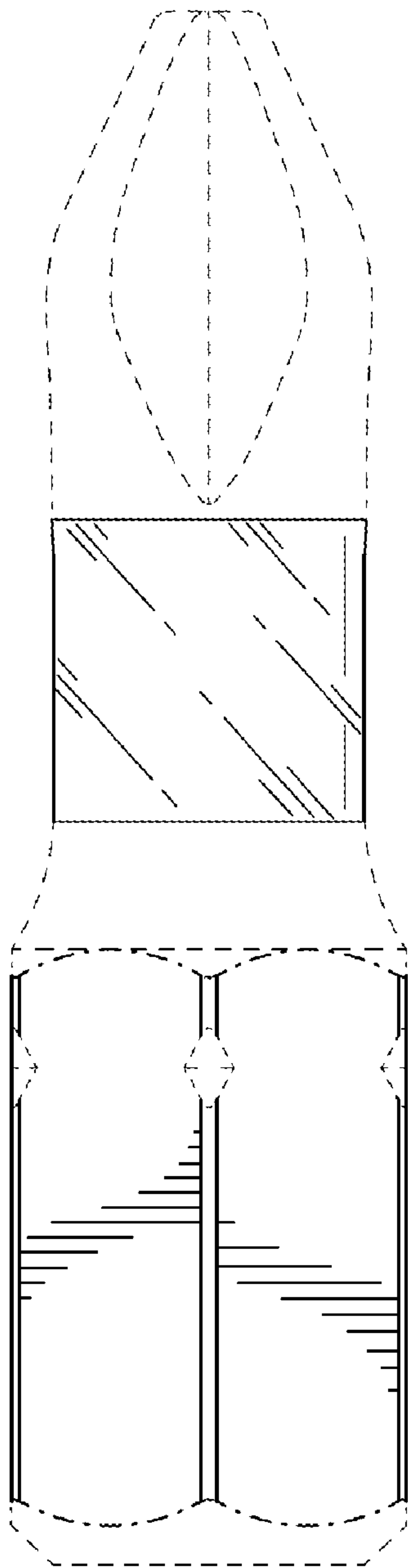


FIG. 2

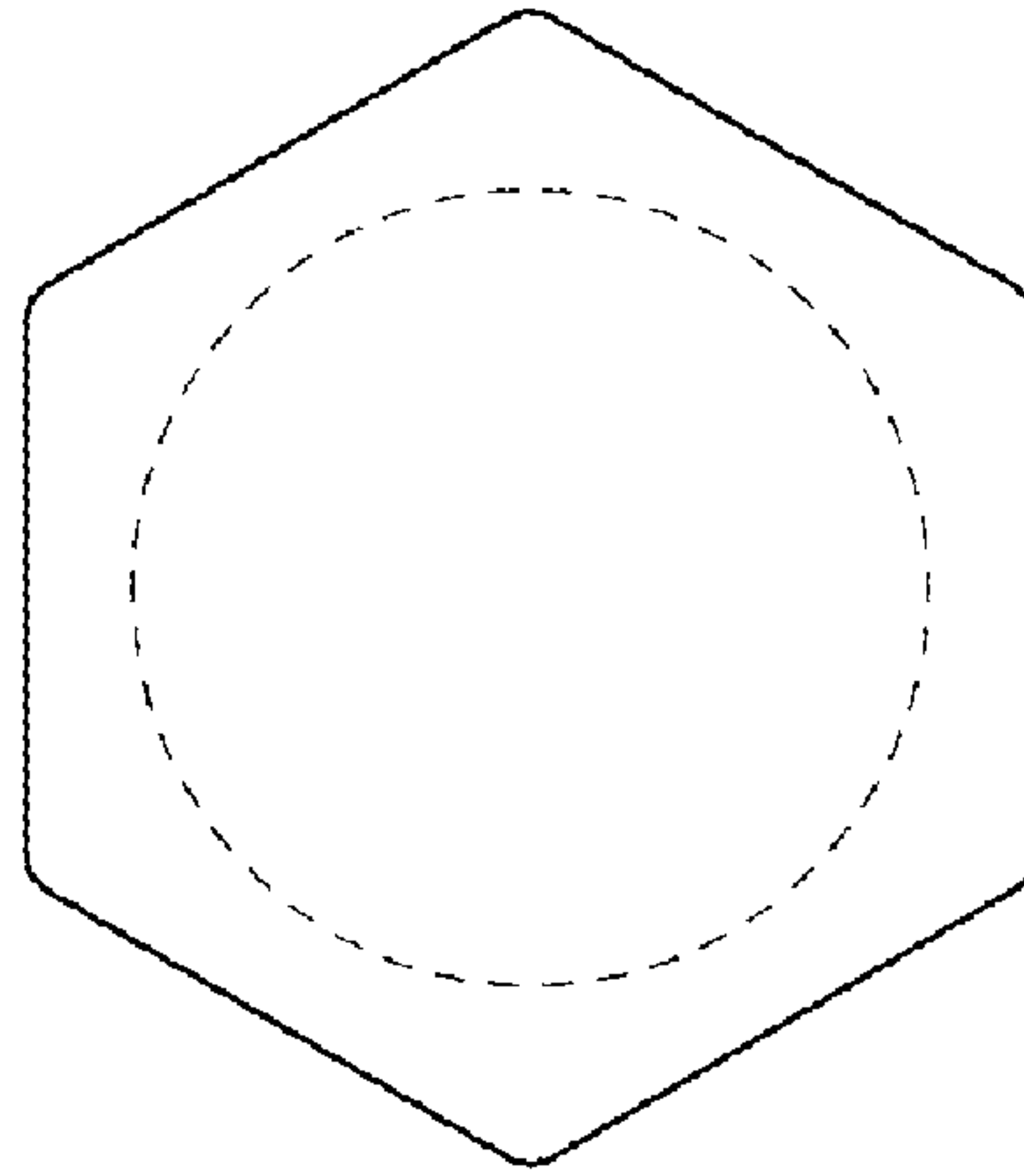


FIG. 4

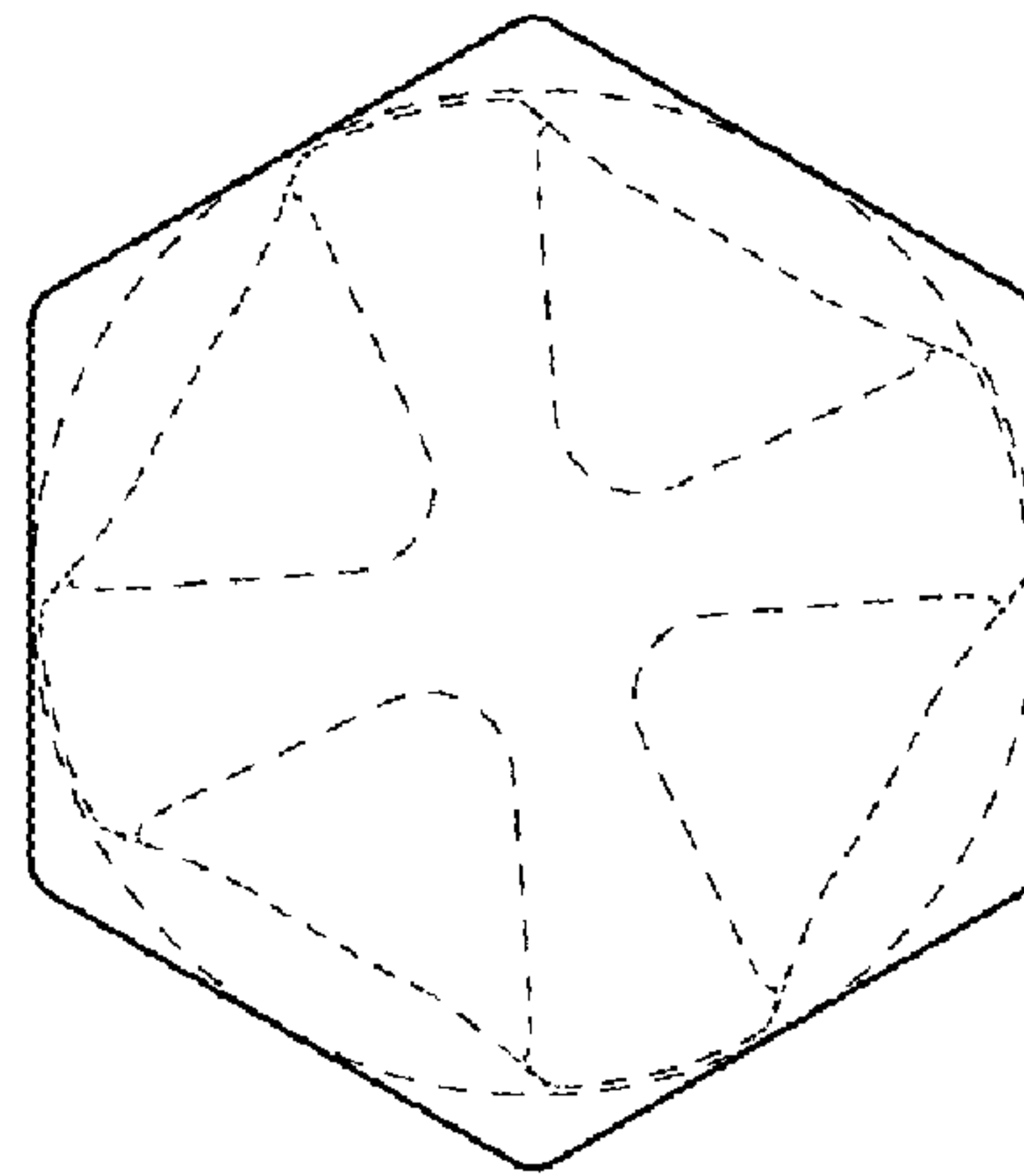


FIG. 3

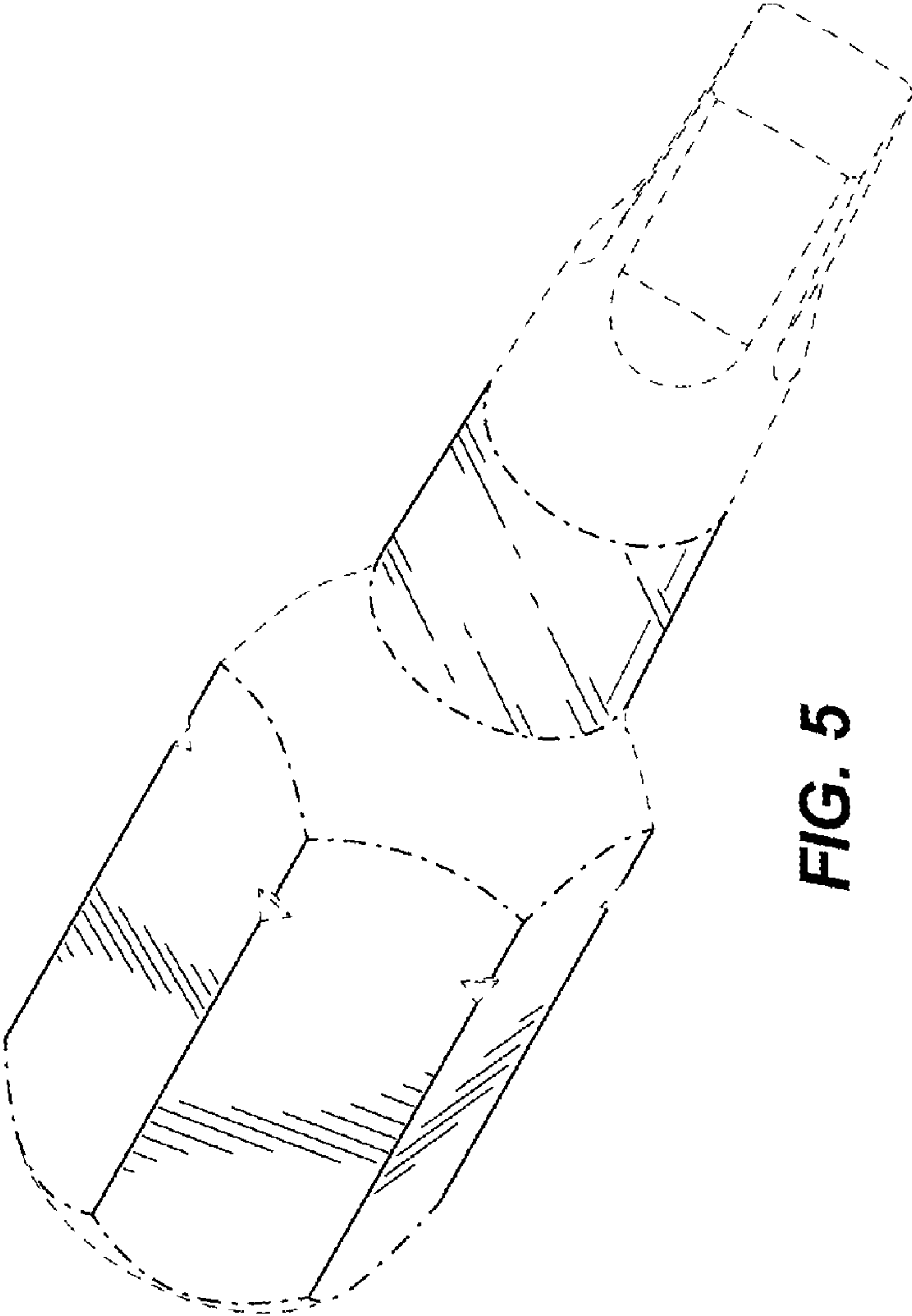


FIG. 5

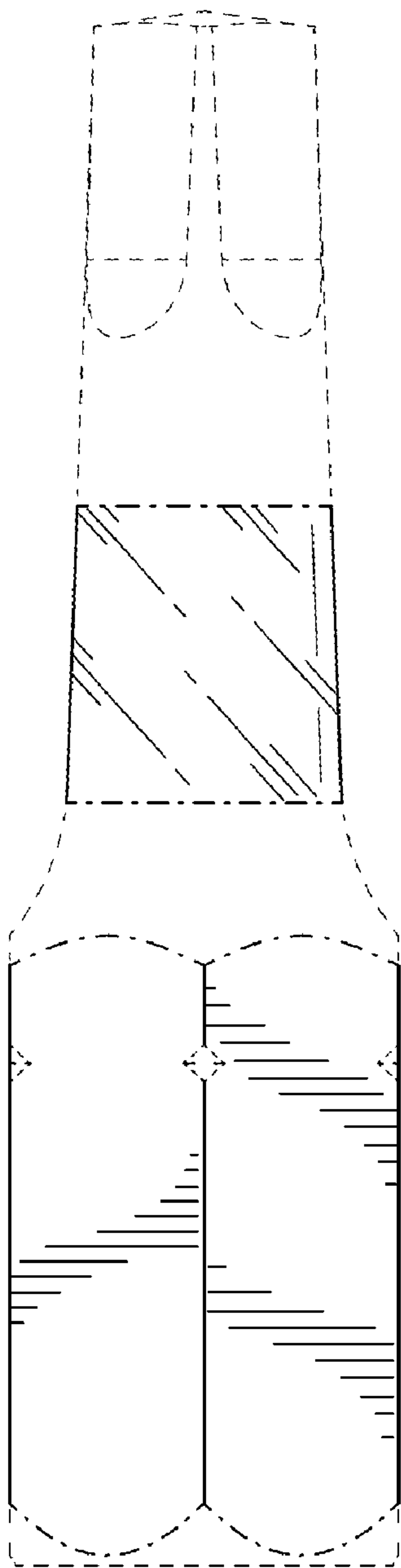


FIG. 6

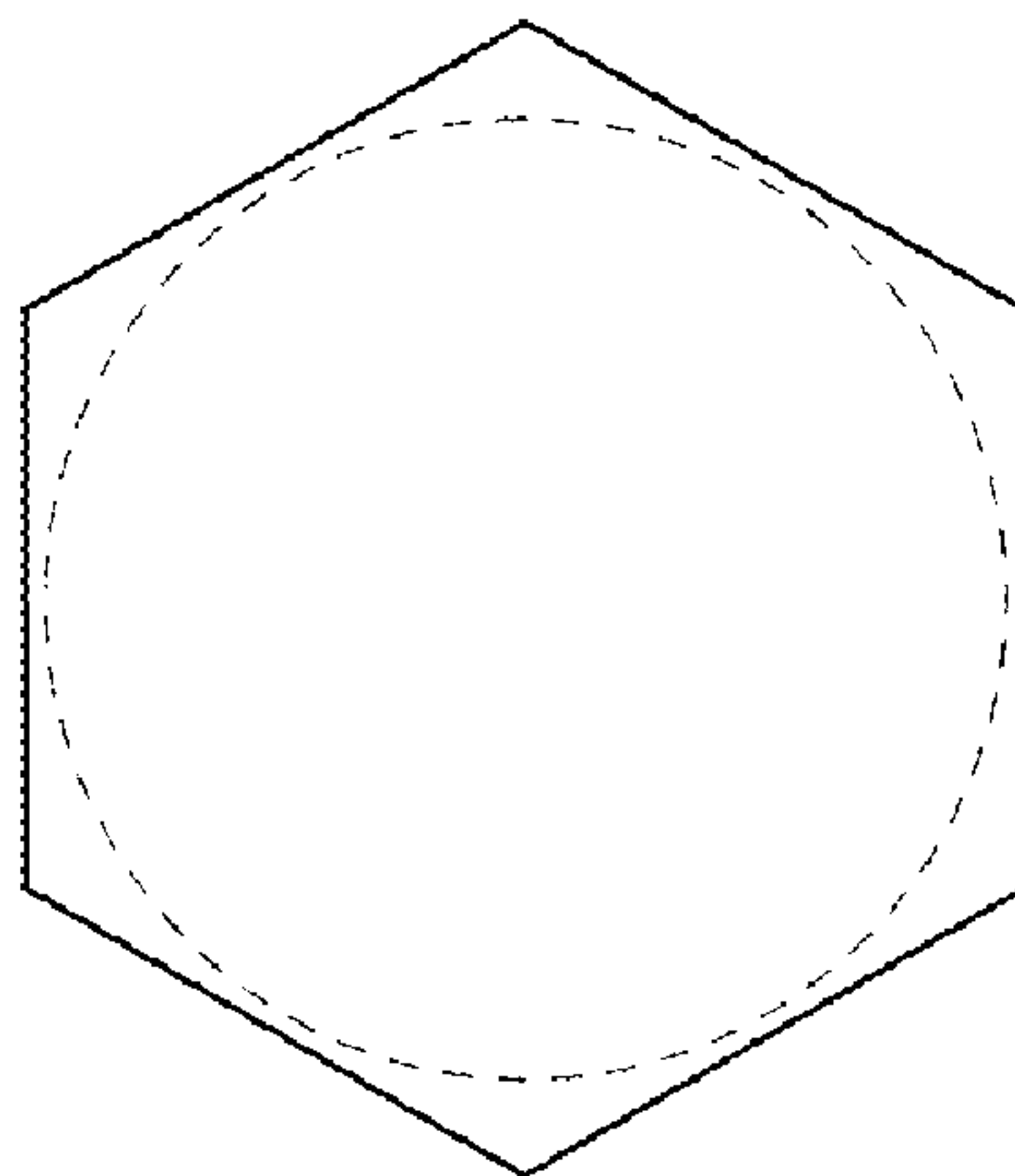


FIG. 8

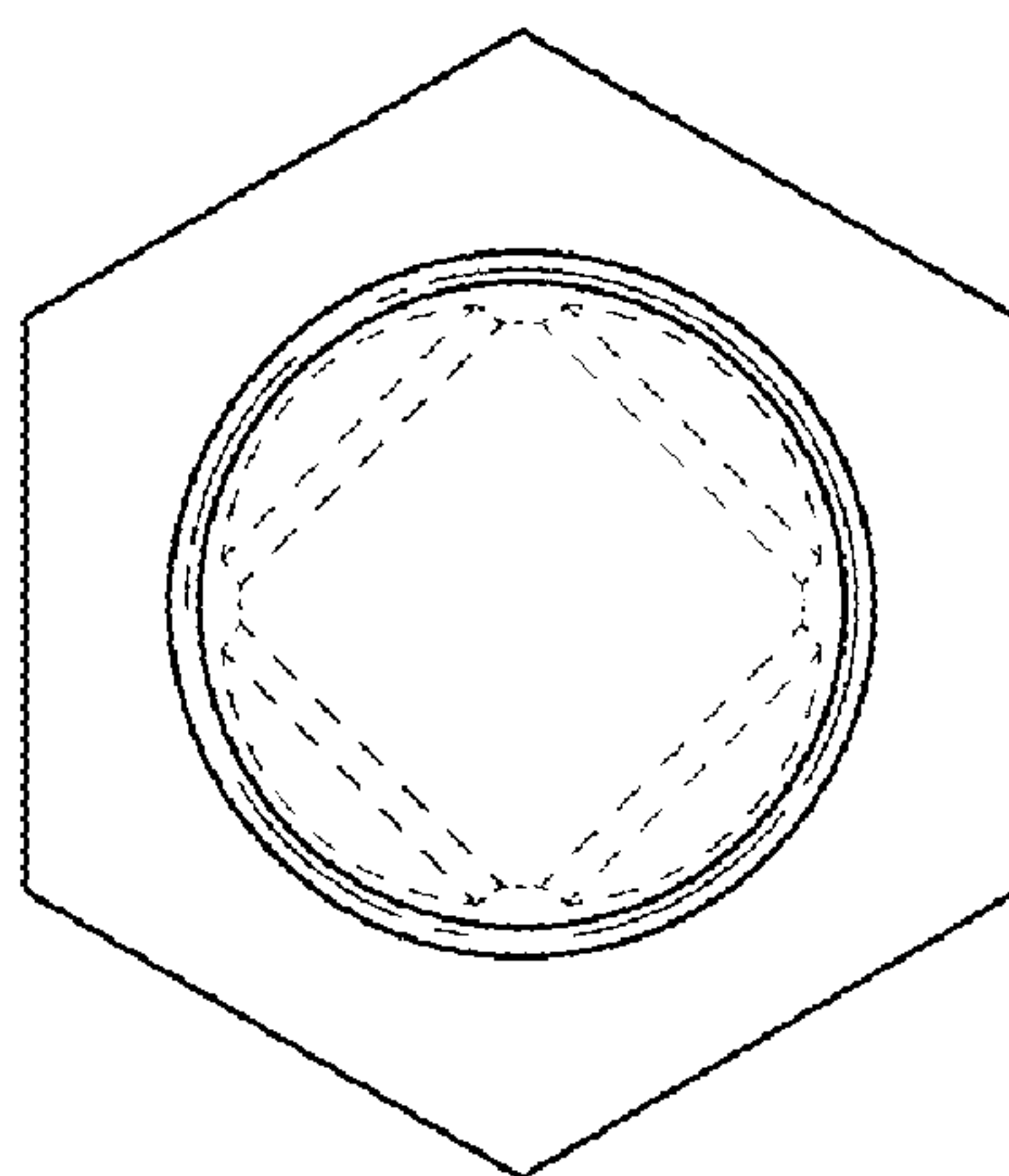
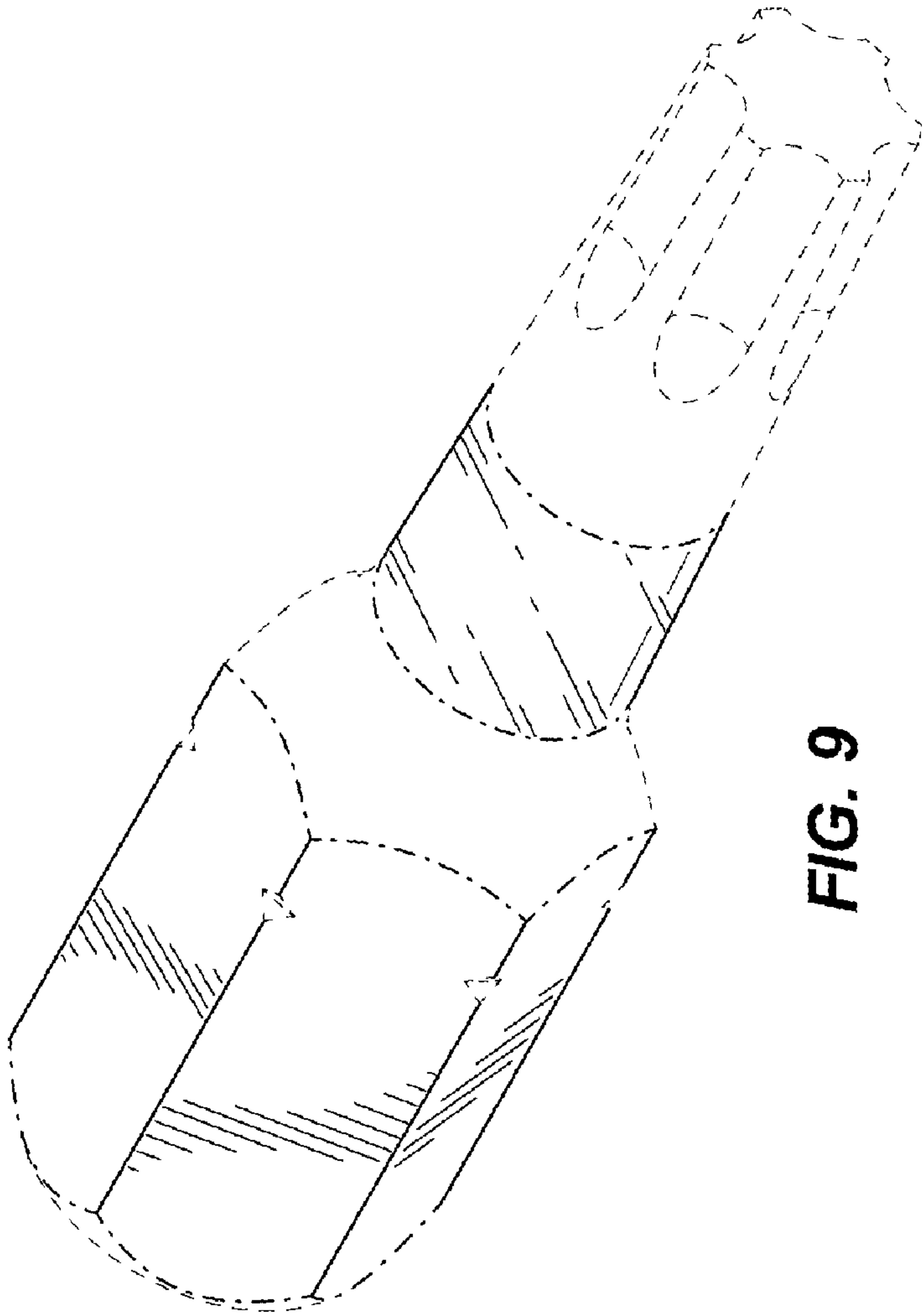


FIG. 7



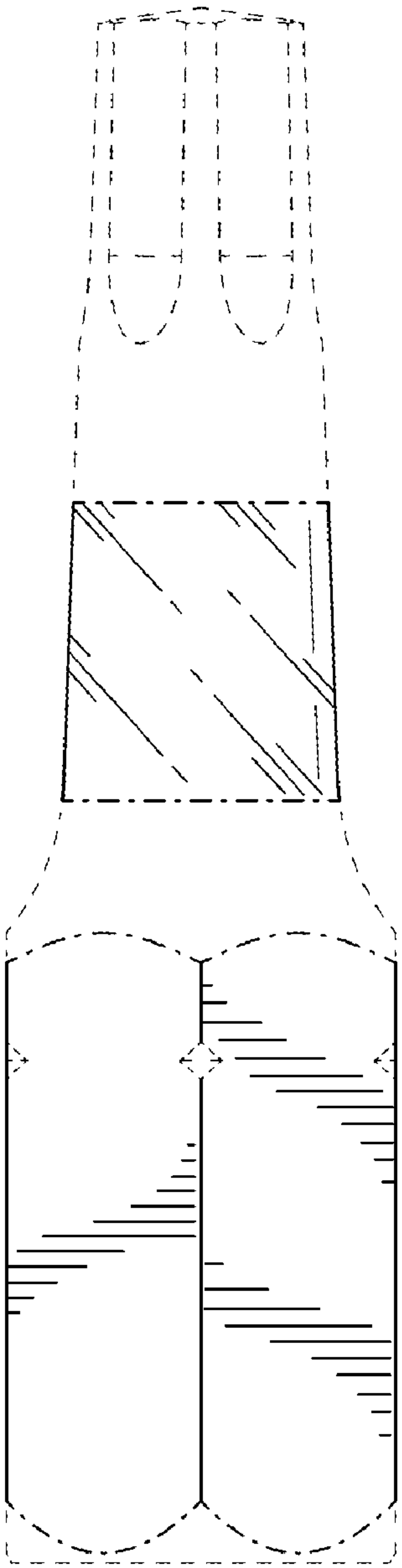


FIG. 10

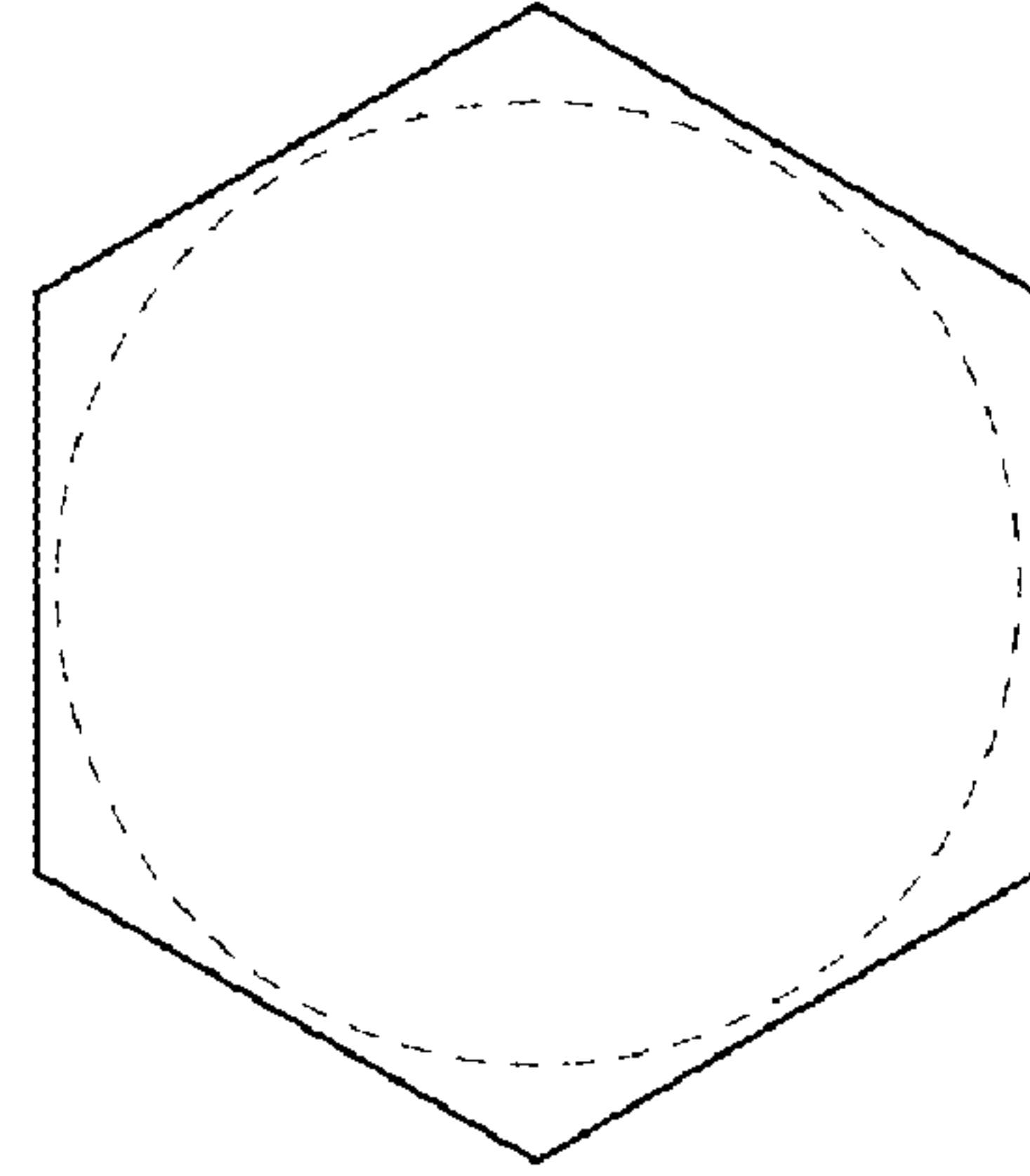


FIG. 12

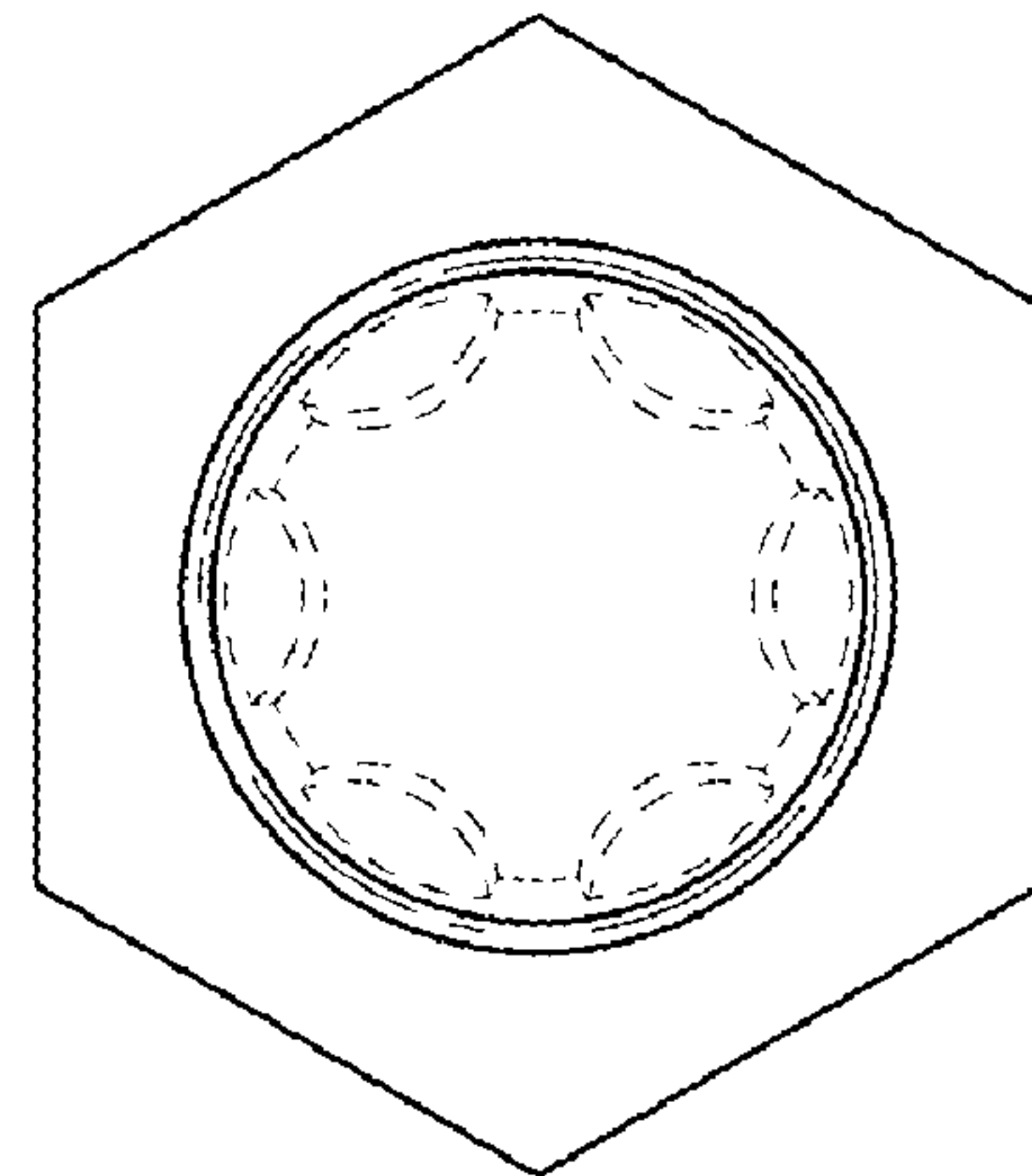


FIG. 11