



US00D662801S

(12) **United States Design Patent**  
**Tinius**

(10) **Patent No.:** **US D662,801 S**

(45) **Date of Patent:** **\*\* Jul. 3, 2012**

(54) **ELECTRIC CHAIN SAW**

(75) Inventor: **Michael Tinius**, Ulm (DE)

(73) Assignee: **Andreas Stihl AG & Co. KG**,  
Waiblingen (DE)

(\*\*) Term: **14 Years**

(21) Appl. No.: **29/409,704**

(22) Filed: **Dec. 28, 2011**

(30) **Foreign Application Priority Data**

Aug. 9, 2011 (EM) ..... 001902750-0005

(51) **LOC (9) Cl.** ..... **08-03**

(52) **U.S. Cl.** ..... **D8/65**

(58) **Field of Classification Search** ..... D8/65,  
D8/7, 8, 9, 70, 66, 67, 62, 63, 64, 61, 91;  
30/386, 383, 382, 371, 123, 381; 125/21;  
D21/532; 83/832, 833, 834; 123/185.3

See application file for complete search history.

(56) **References Cited**

**U.S. PATENT DOCUMENTS**

D216,384 S *	12/1969	George	.....	D8/65
D237,352 S *	10/1975	Shymkus	.....	D8/65
D255,770 S *	7/1980	Asamoto	.....	D8/65
D273,456 S *	4/1984	McDougall et al.	.....	D8/65
D325,330 S *	4/1992	Barnhill	.....	D8/65
D361,251 S *	8/1995	Griffin	.....	D8/65
D365,262 S *	12/1995	Beaulieu et al.	.....	D8/65
D385,766 S *	11/1997	Kondo et al.	.....	D8/65
D408,247 S *	4/1999	Juratovac et al.	.....	D8/65
D445,657 S *	7/2001	Jong	.....	D8/65
D481,601 S *	11/2003	Ashfield	.....	D8/65
D538,123 S *	3/2007	Yates	.....	D8/65
D545,157 S *	6/2007	Fisher et al.	.....	D8/65

D547,630 S *	7/2007	Fisher et al.	.....	D8/65
D606,829 S *	12/2009	Tinius	.....	D8/65
D651,497 S *	1/2012	Worsnop	.....	D8/65
2002/0124421 A1 *	9/2002	Hermes et al.	.....	30/386
2003/0088987 A1 *	5/2003	Jong	.....	30/381
2003/0167642 A1 *	9/2003	Chen	.....	30/387

\* cited by examiner

*Primary Examiner* — Austin Murphy

(74) *Attorney, Agent, or Firm* — McGuireWoods LLP

(57) **CLAIM**

I claim the ornamental design for an electric chain saw, as shown and described.

**DESCRIPTION**

FIG. 1 is a right front perspective view of the electric chain saw;

FIG. 2 is a front view of the electric chain saw shown in FIG. 1;

FIG. 3 is a back view of the electric chain saw shown in FIG. 1;

FIG. 4 is a right side view of the electric chain saw shown in FIG. 1;

FIG. 5 is a left side view of the electric chain saw shown in FIG. 1;

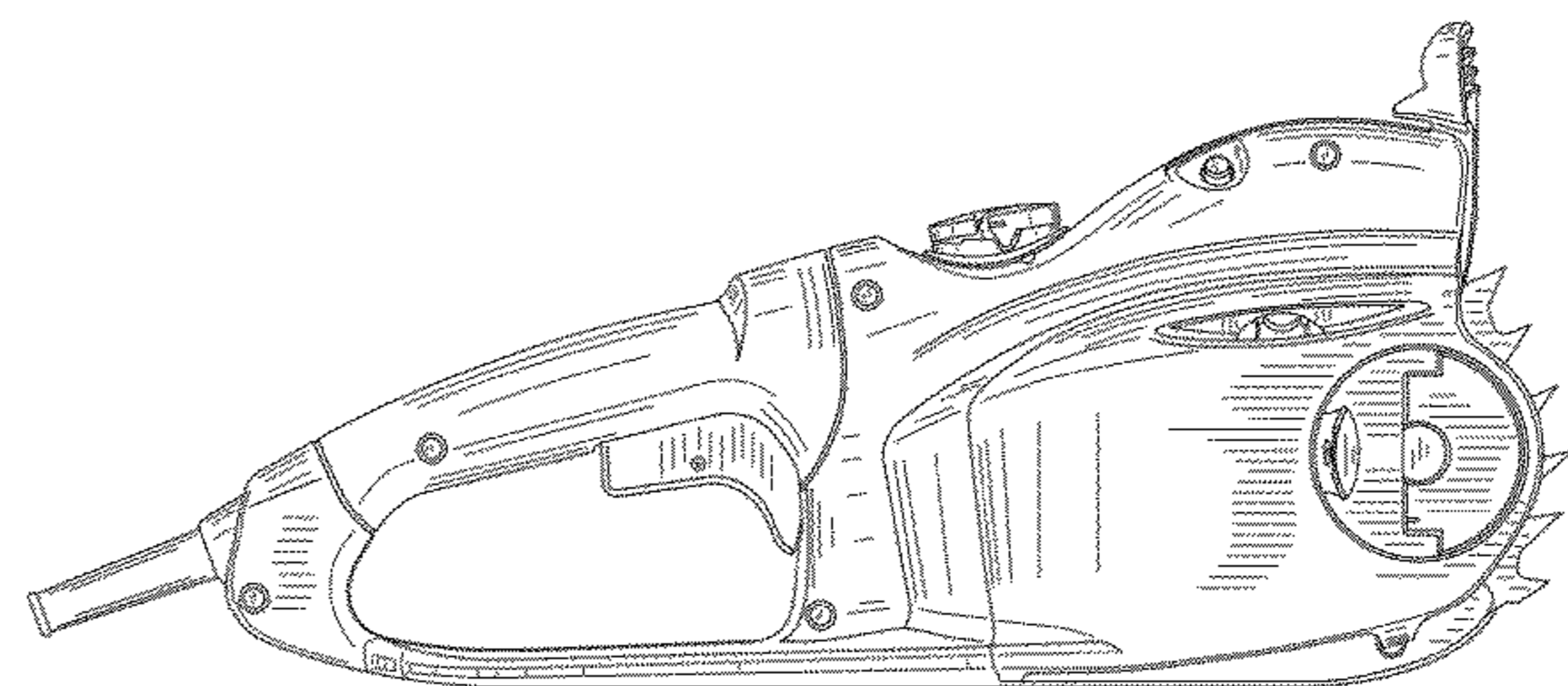
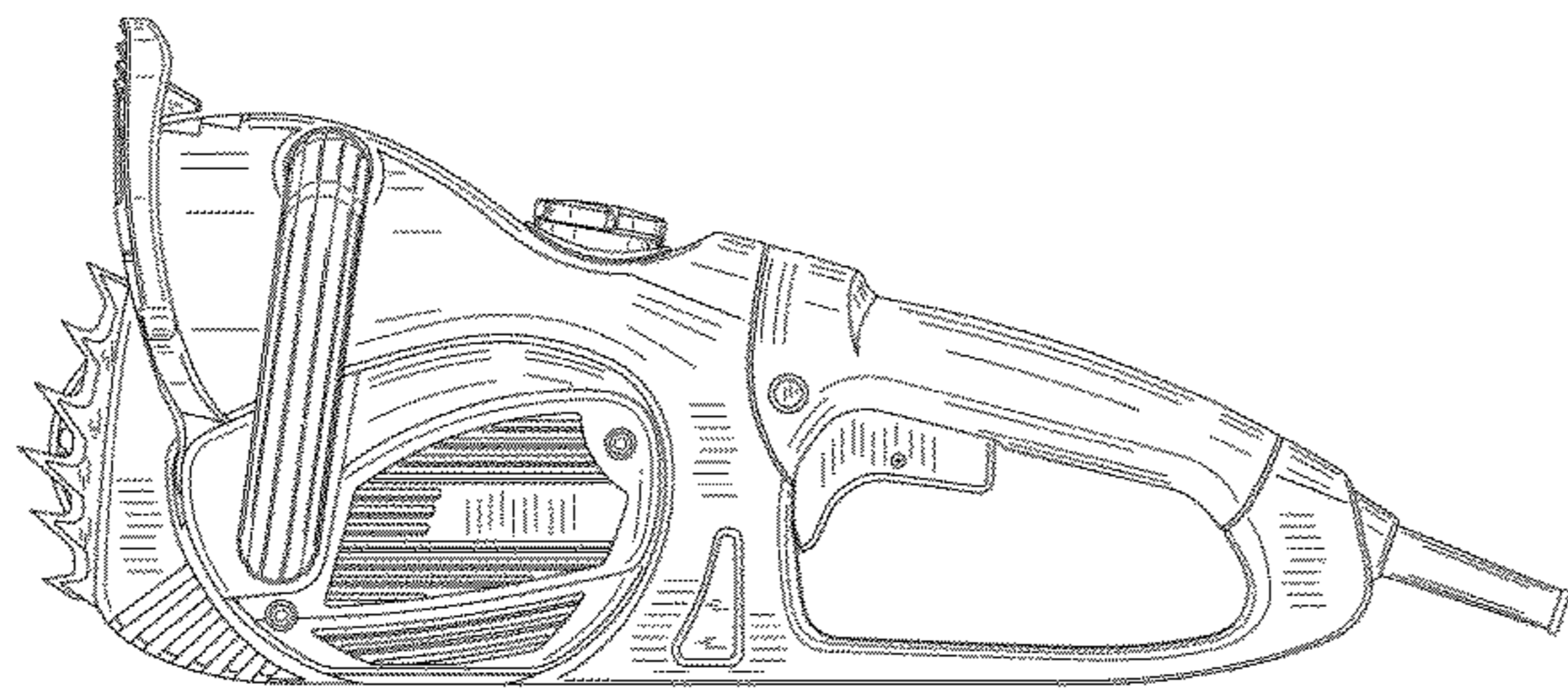
FIG. 6 is a top view of the electric chain saw shown in FIG. 1; and,

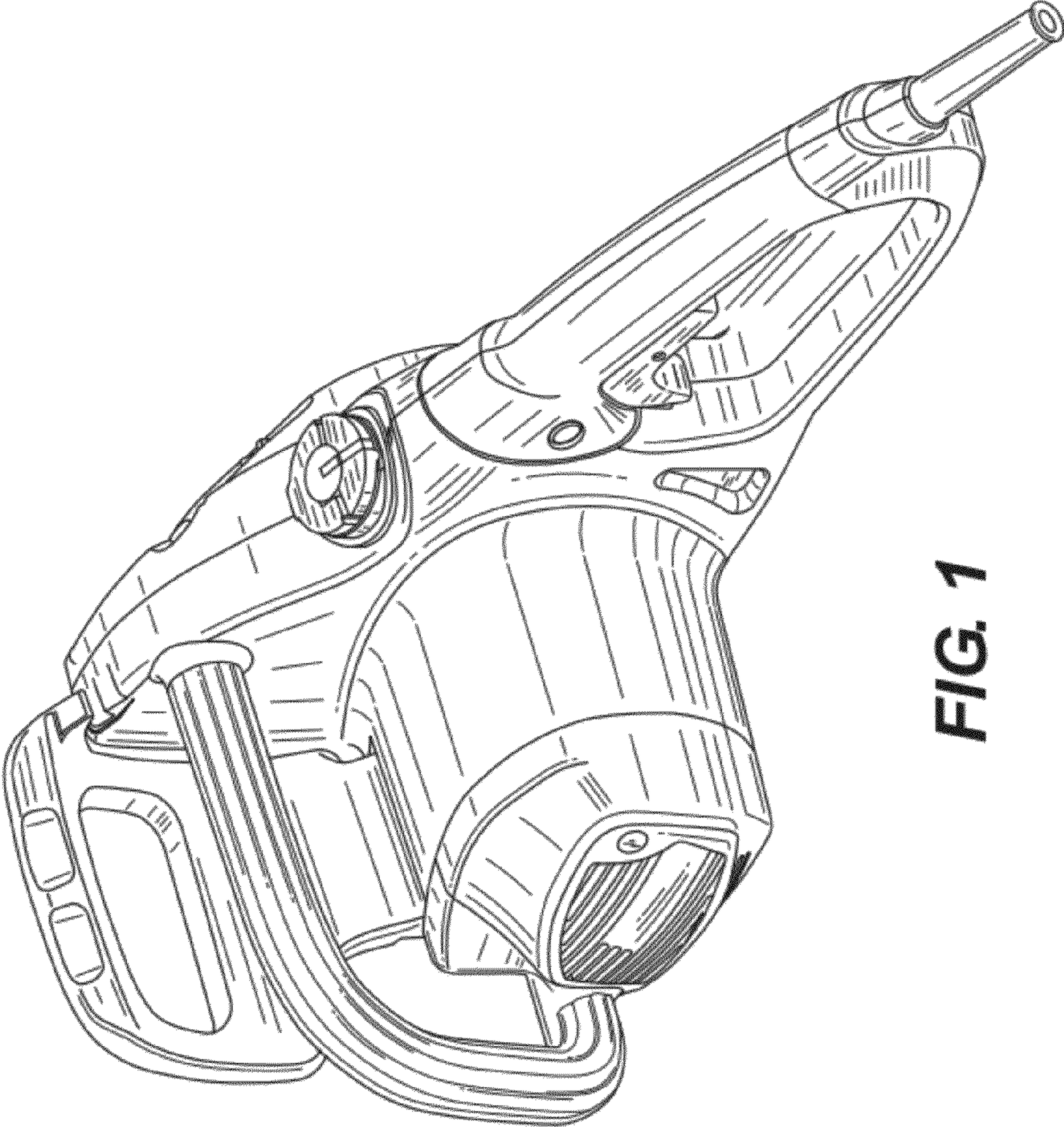
FIG. 7 is a bottom view of the electric chain saw shown in FIG. 1.

Applicant expressly reserves the right to modify FIGS. 1-7 to include, in line drawing format, any one or all of the features shown (i.e., shown in either dashed-lines or solid lines) in FIGS. 1-7.

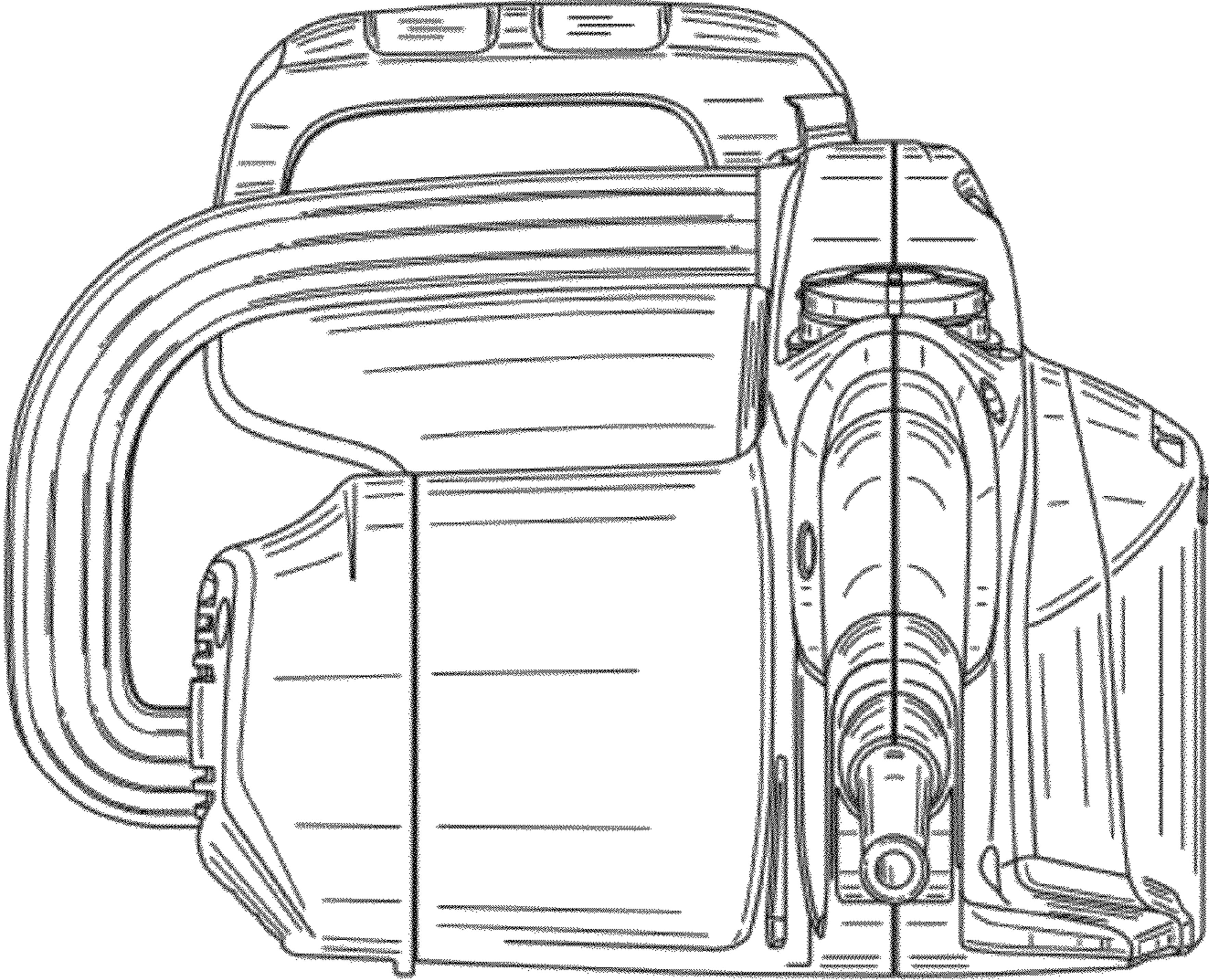
The subject matter shown in dashed lines, and any surfaces of the design not shown, including interior surfaces, form no part of the claimed invention.

**1 Claim, 6 Drawing Sheets**

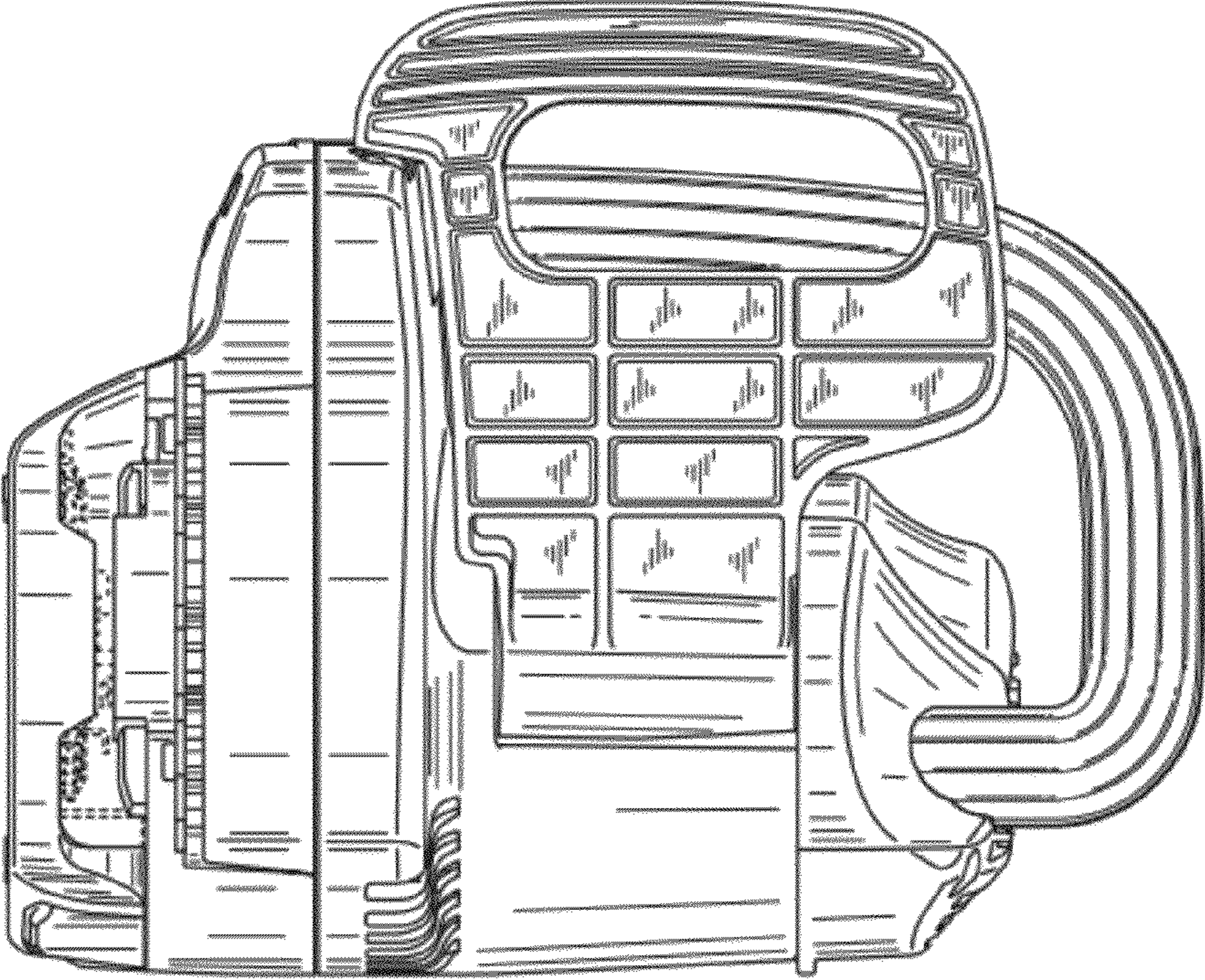




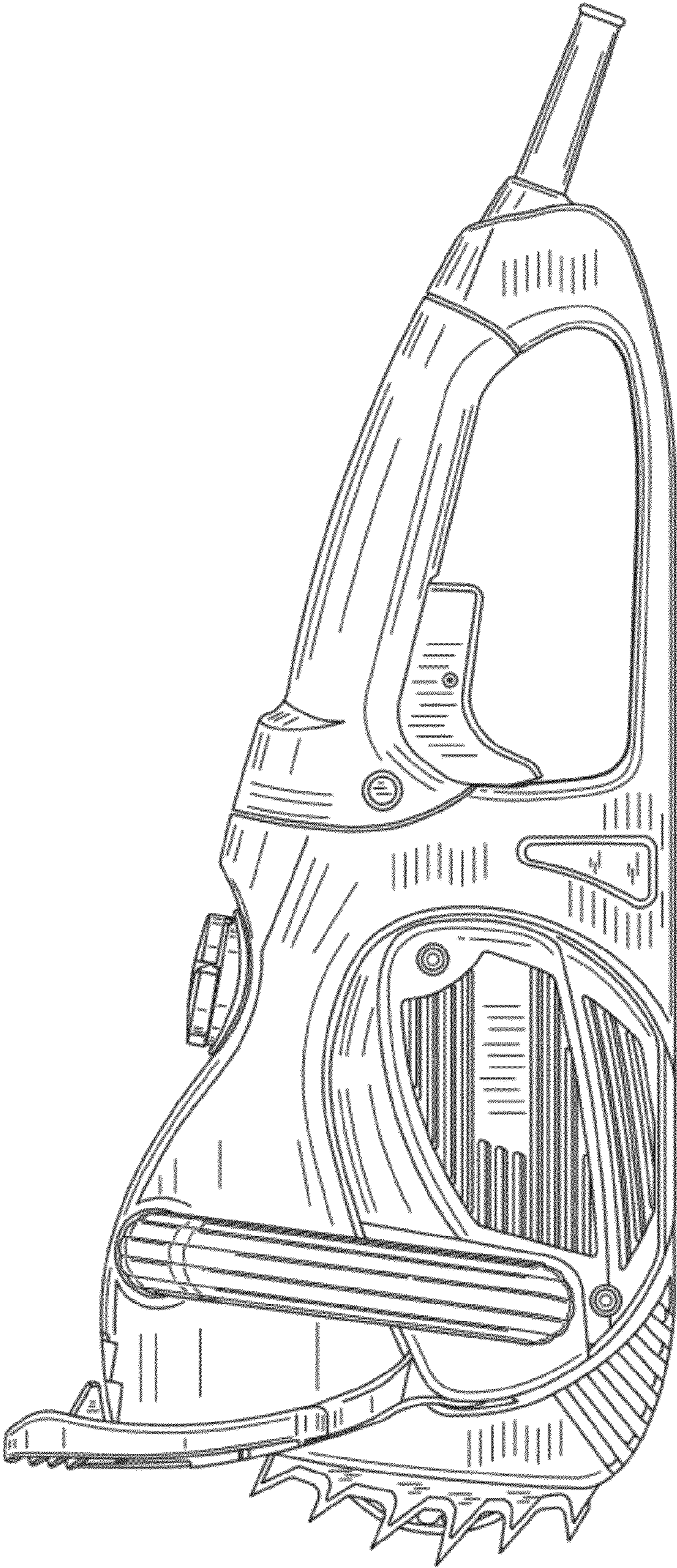
**FIG. 1**



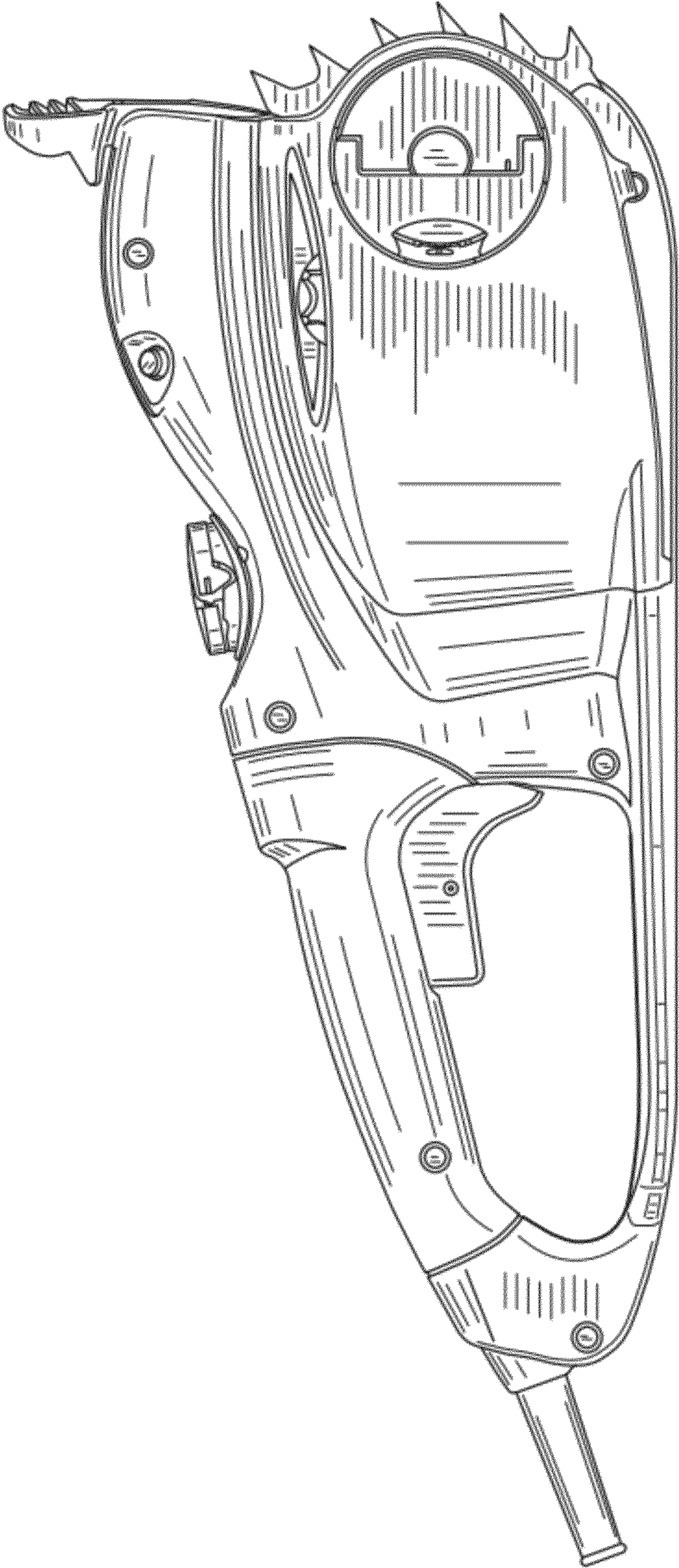
**FIG. 2**



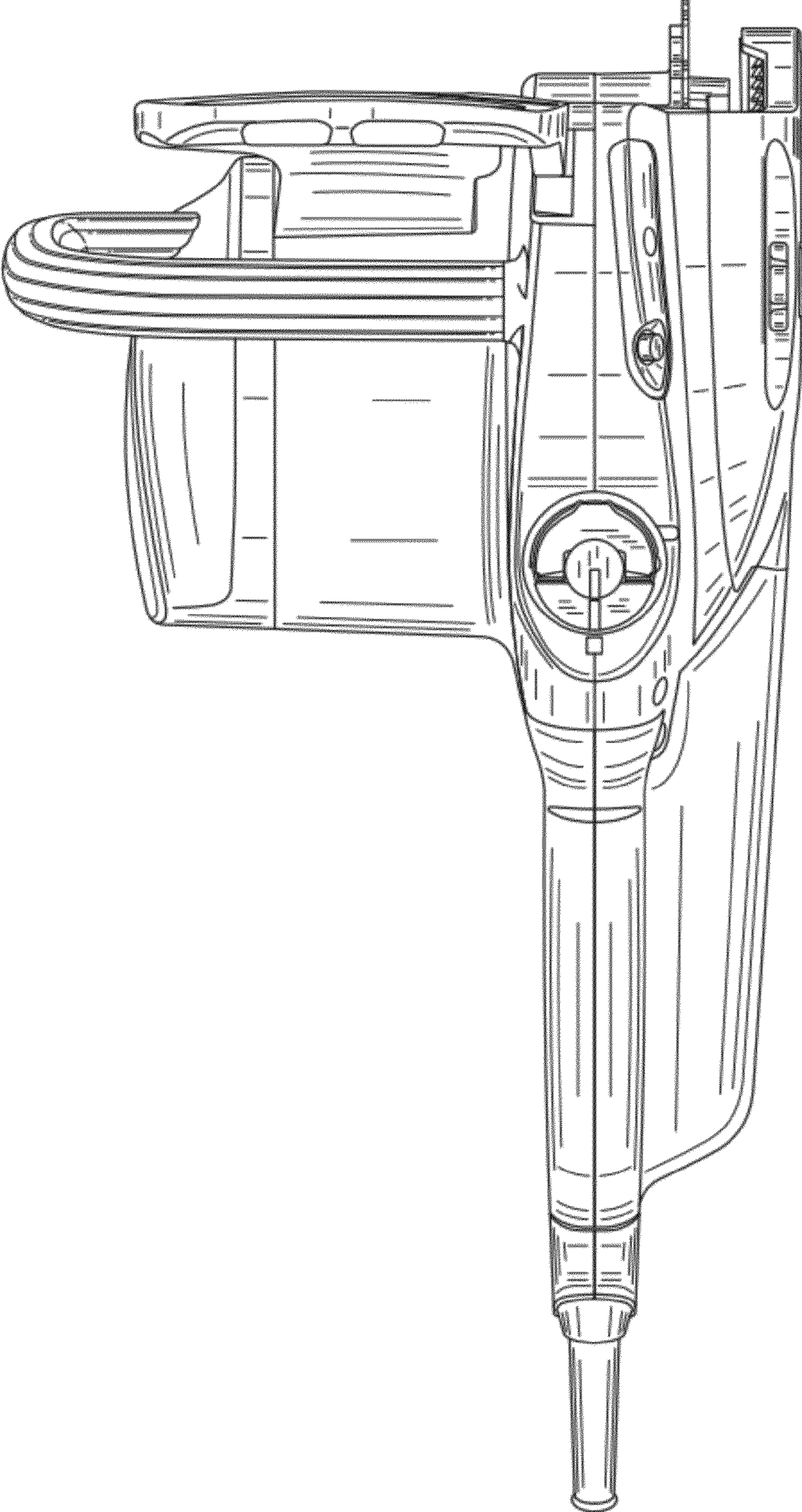
**FIG. 3**



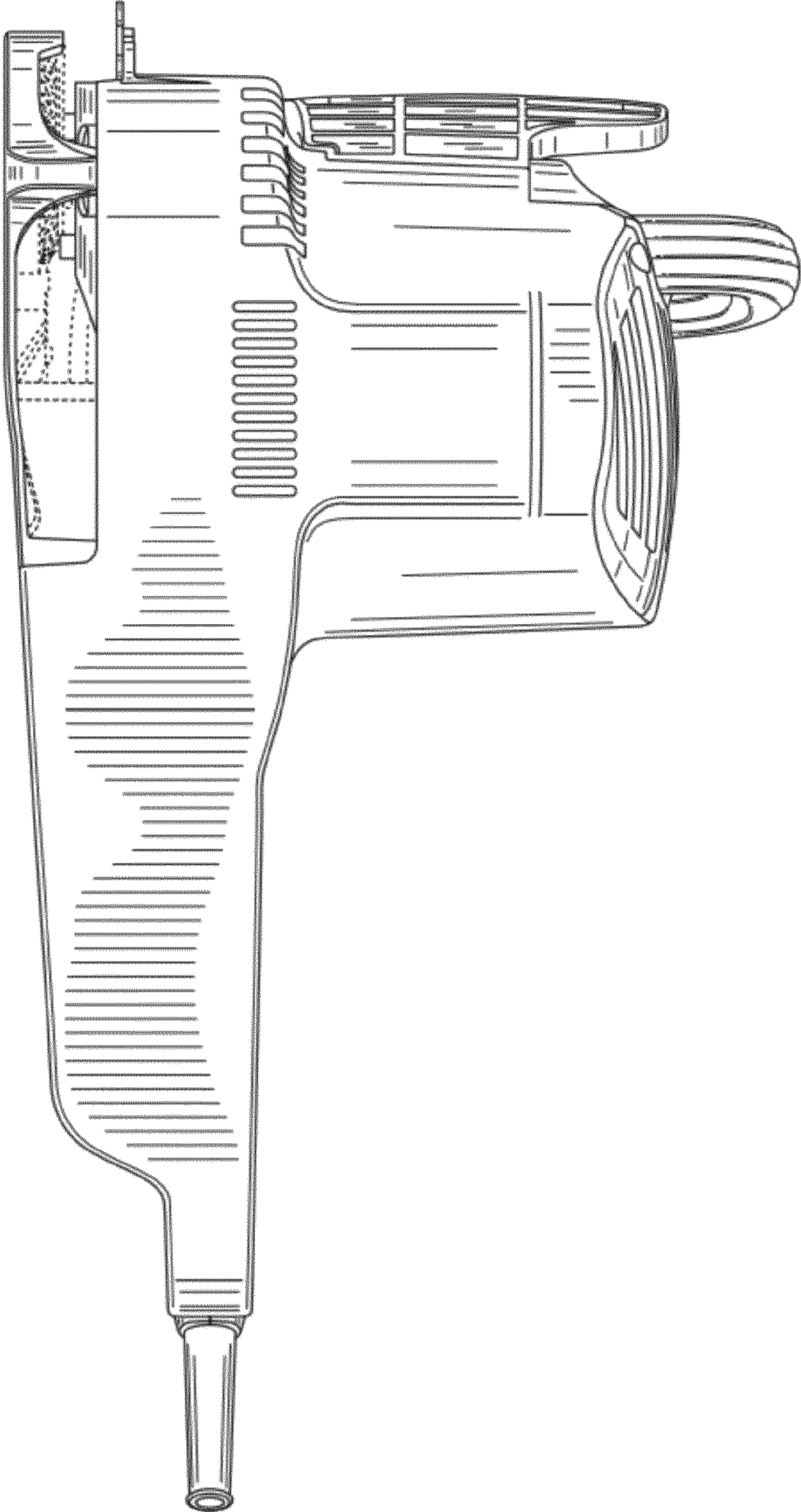
**FIG. 4**



**FIG. 5**



**FIG. 6**



**FIG. 7**