



US00D662800S

(12) **United States Design Patent**  
**Blythe et al.**

(10) **Patent No.:** **US D662,800 S**  
(45) **Date of Patent:** **\*\* Jul. 3, 2012**

(54) **OSCILLATING TOOL**  
(75) Inventors: **Daniel Blythe**, Buffalo Grove, IL (US);  
**Brian Benes**, Libertyville, IL (US);  
**Michael Landt**, Chicago, IL (US);  
**Adam Erwin**, Chicago, IL (US)

(73) Assignee: **Robert Bosch GmbH**, Stuttgart (DE)

(\*\*) Term: **14 Years**

(21) Appl. No.: **29/377,226**

(22) Filed: **Oct. 19, 2010**

(51) **LOC (9) Cl.** ..... **08-01**

(52) **U.S. Cl.** ..... **D8/61**

(58) **Field of Classification Search** ..... D8/61,  
D8/62, 67, 69; 81/57, 57.11, 57.14, 57.26,  
81/429, 464, 469; 173/2, 170, 176, 181

See application file for complete search history.

D477,758 S	7/2003	Chunn et al.	
D491,031 S	6/2004	Davis et al.	
D507,730 S	7/2005	Oles et al.	
D509,719 S	9/2005	Chu	
D510,848 S	10/2005	Singh et al.	
D529,354 S	10/2006	Davis et al.	
D556,000 S	11/2007	Singh et al.	
D559,639 S *	1/2008	Henssler et al.	D8/61
D567,046 S *	4/2008	Henssler et al.	D8/61
D568,704 S *	5/2008	Aglassinger	D8/62
D576,461 S *	9/2008	Bast	D8/62
D577,974 S	10/2008	Miller	
D598,260 S *	8/2009	Jerome et al.	D8/61

(Continued)

*Primary Examiner* — Austin Murphy

(74) *Attorney, Agent, or Firm* — Maginot, Moore & Beck

(57) **CLAIM**

The ornamental design for an oscillating tool, as shown and described.

**DESCRIPTION**

FIG. 1 is a perspective view of an oscillating tool showing our new design;

FIG. 2 is a left side elevational view showing the design for the oscillating tool of FIG. 1;

FIG. 3 is a right side elevational view showing the design for the oscillating tool of FIG. 1;

FIG. 4 is a top elevational view showing the design for the oscillating tool of FIG. 1;

FIG. 5 is a bottom elevational view showing the design for the oscillating tool of FIG. 1;

FIG. 6 is a front elevational view showing the design for the oscillating tool of FIG. 1; and,

FIG. 7 is rear elevational view showing the design for the oscillating tool of FIG. 1.

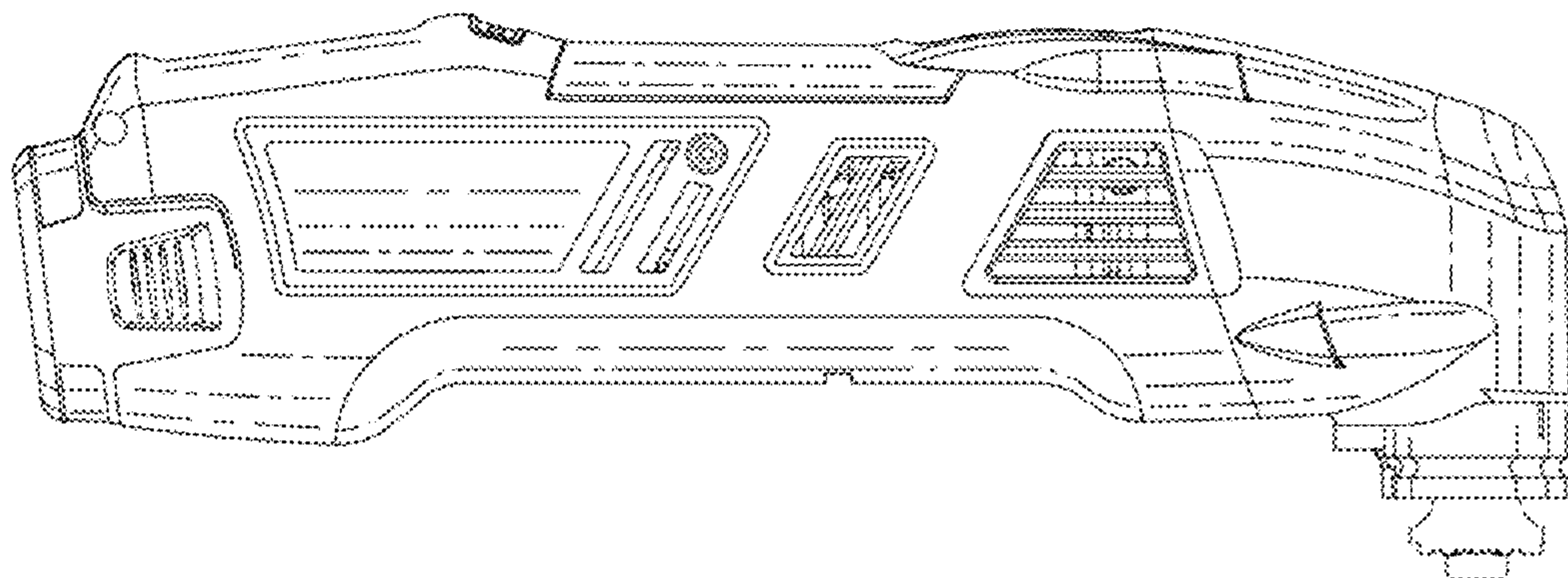
The broken line showing of portions of the oscillating tool in the drawings is included for illustrative purposes only and forms no part of the claimed design.

**1 Claim, 6 Drawing Sheets**

(56) **References Cited**

U.S. PATENT DOCUMENTS

D308,622 S	6/1990	Fushiya et al.
5,298,821 A	3/1994	Michel
D374,159 S	10/1996	Chiang
D378,727 S	4/1997	Kikuchi
D391,820 S	3/1998	Bunyea
D410,829 S	6/1999	Heun
D414,668 S	10/1999	Duennes et al.
D423,897 S	5/2000	Cooper
D424,613 S	5/2000	Chiang
D427,038 S	6/2000	Lin
D427,040 S	6/2000	Heun
D433,905 S	11/2000	Cooper
D437,758 S	2/2001	Heun
D446,431 S	8/2001	Lui
D446,432 S	8/2001	Heun
D459,176 S	6/2002	Duennes
D469,671 S	2/2003	Prell et al.
D477,202 S	7/2003	Duennes
D477,510 S	7/2003	Duennes



# US D662,800 S

Page 2

---

## U.S. PATENT DOCUMENTS

D602,756 S	*	10/2009	Henssler et al. ....	D8/61	D648,997 S	*	11/2011	Allan et al. ....	D8/61
D618,079 S		6/2010	Blythe et al.		D649,421 S	*	11/2011	Aglassinger ....	D8/61
D643,700 S	*	8/2011	Schultheiss et al. ....	D8/64	D653,922 S	*	2/2012	Henssler et al. ....	D8/61
D647,771 S	*	11/2011	Schoch et al. ....	D8/61					

\* cited by examiner

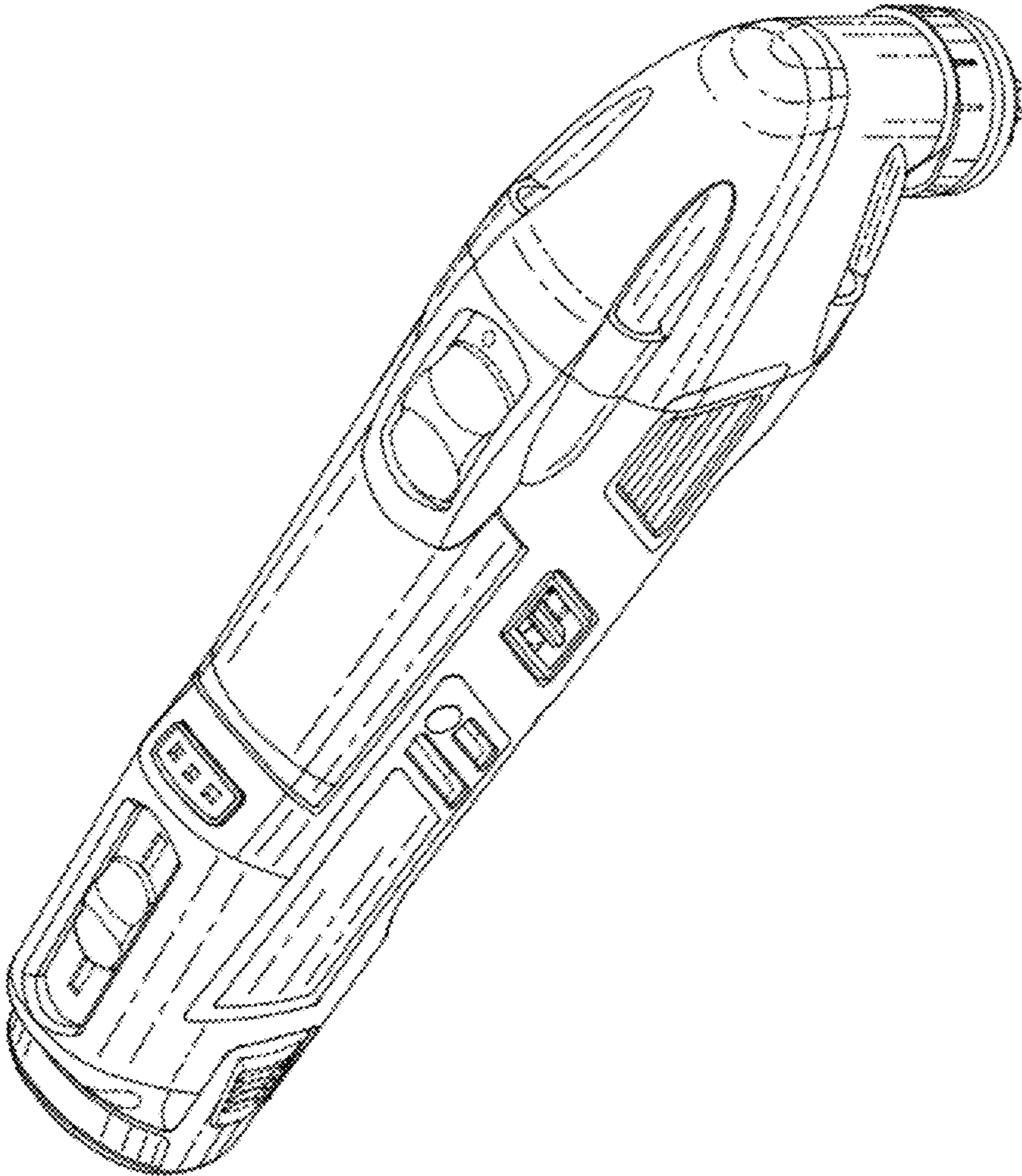


Fig. 1

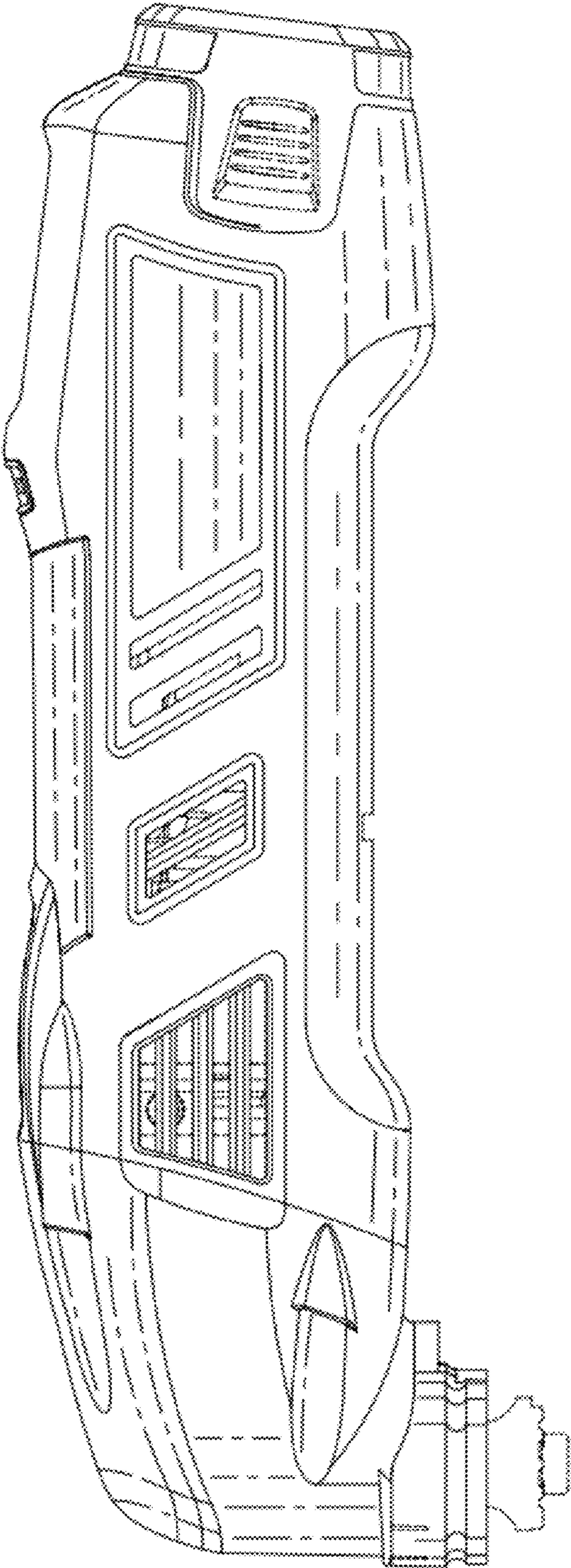


Fig. 2

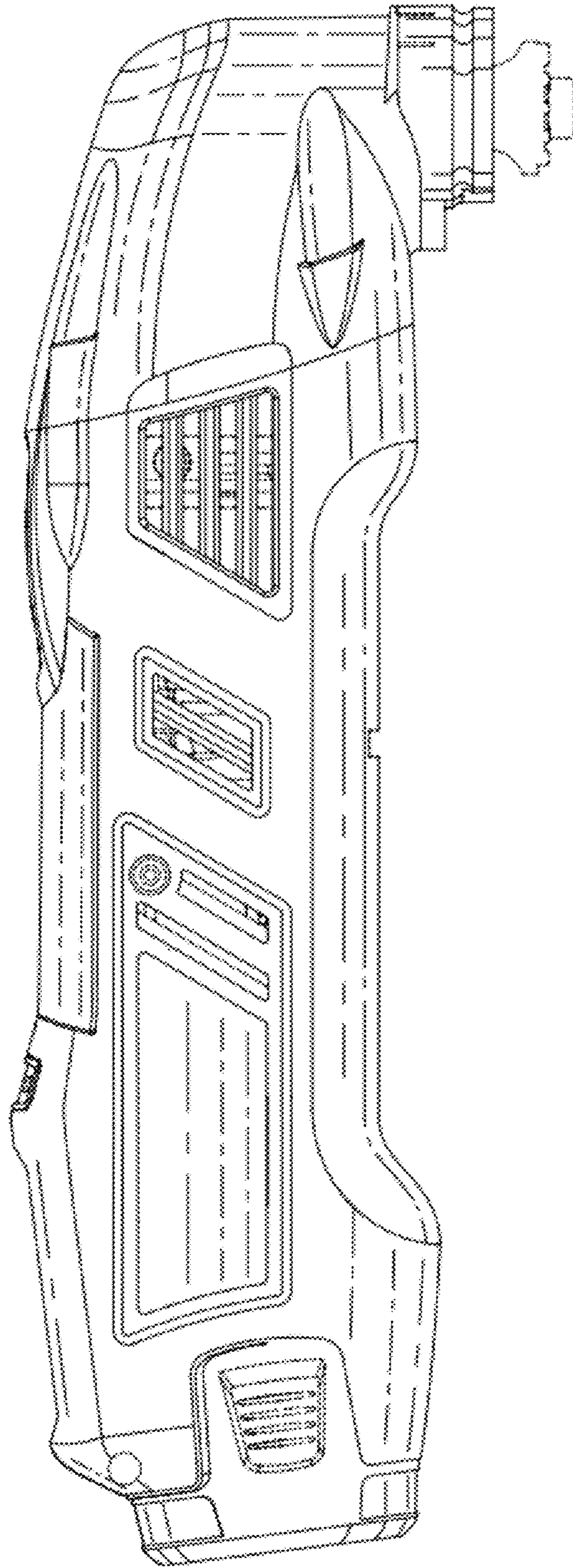


Fig. 3

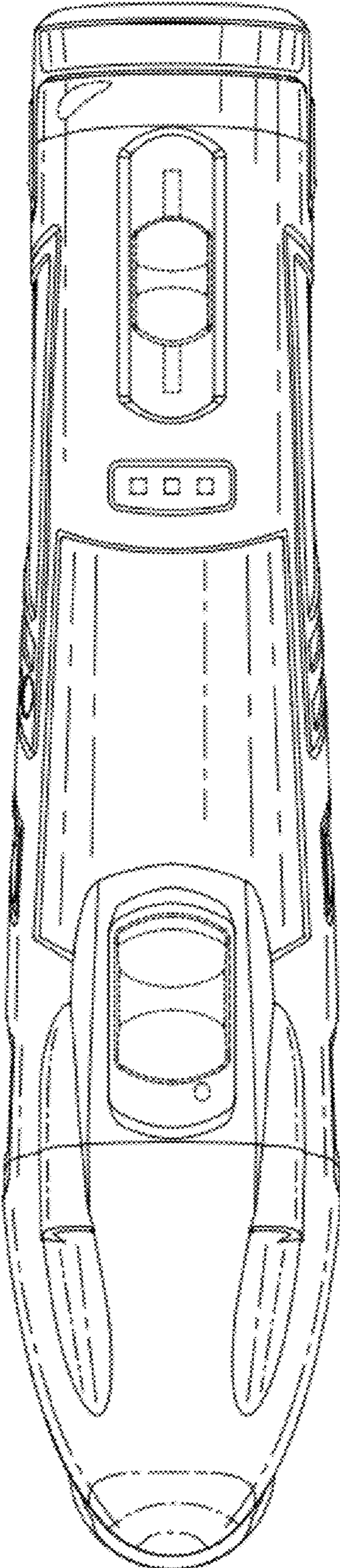


Fig. 4

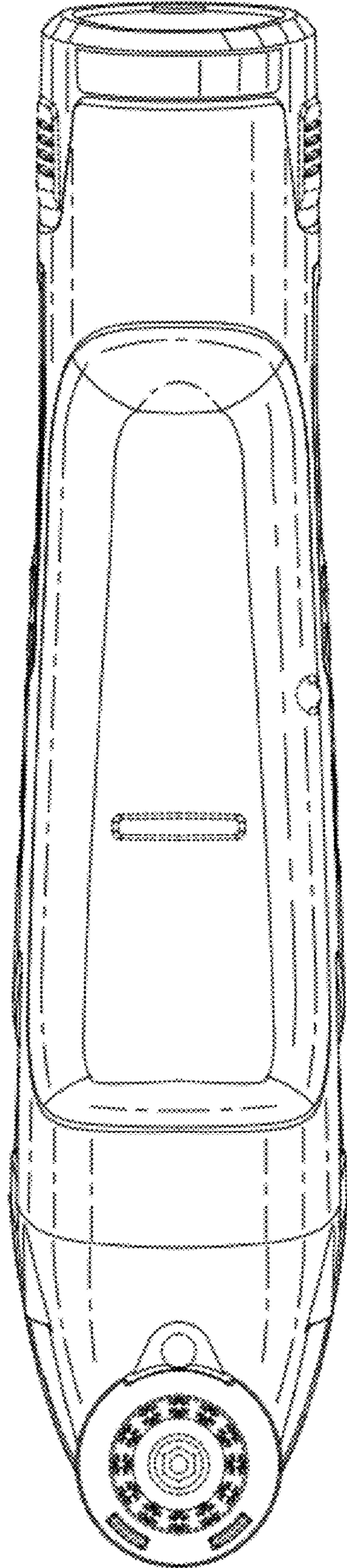


Fig. 5

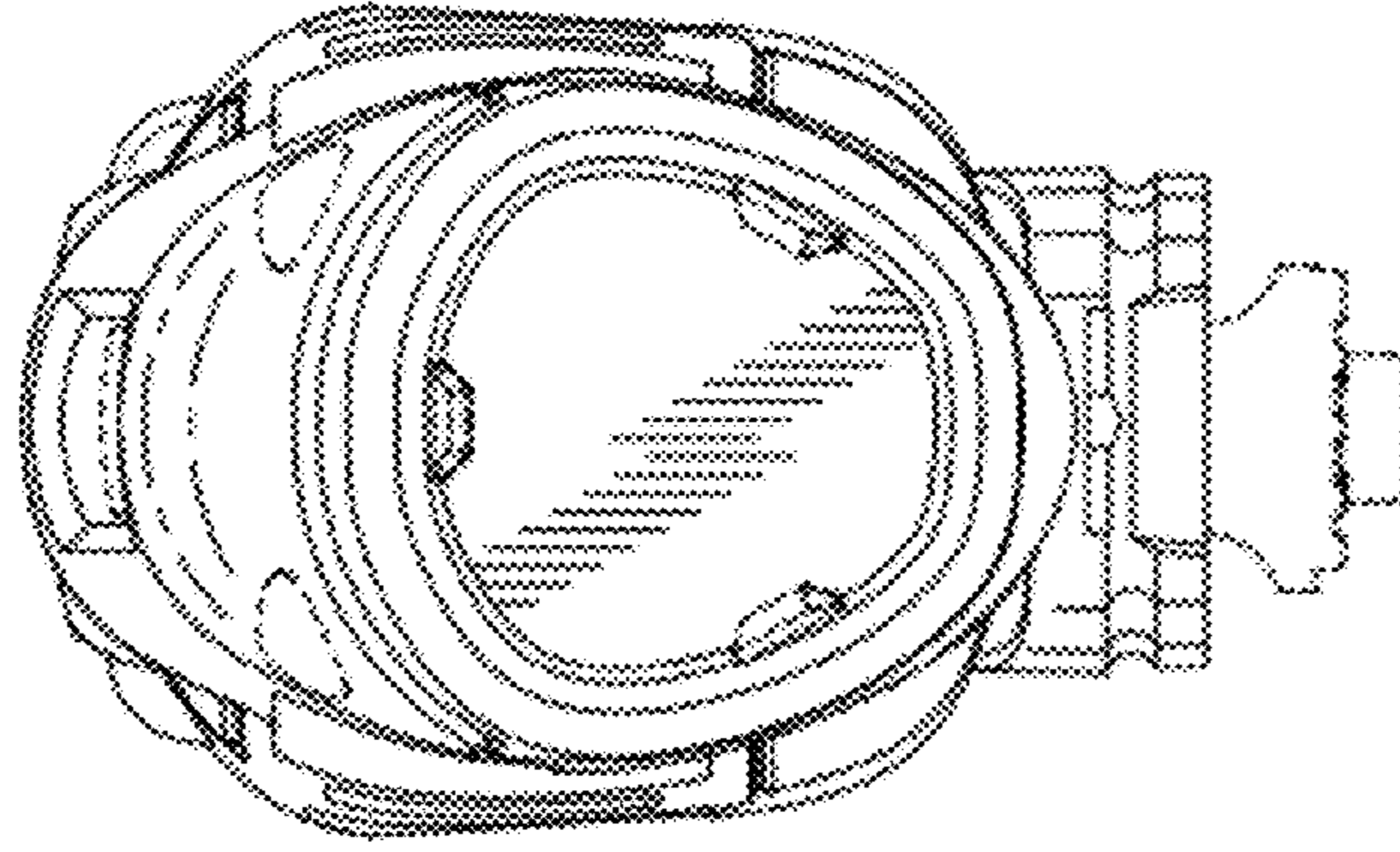


Fig. 7

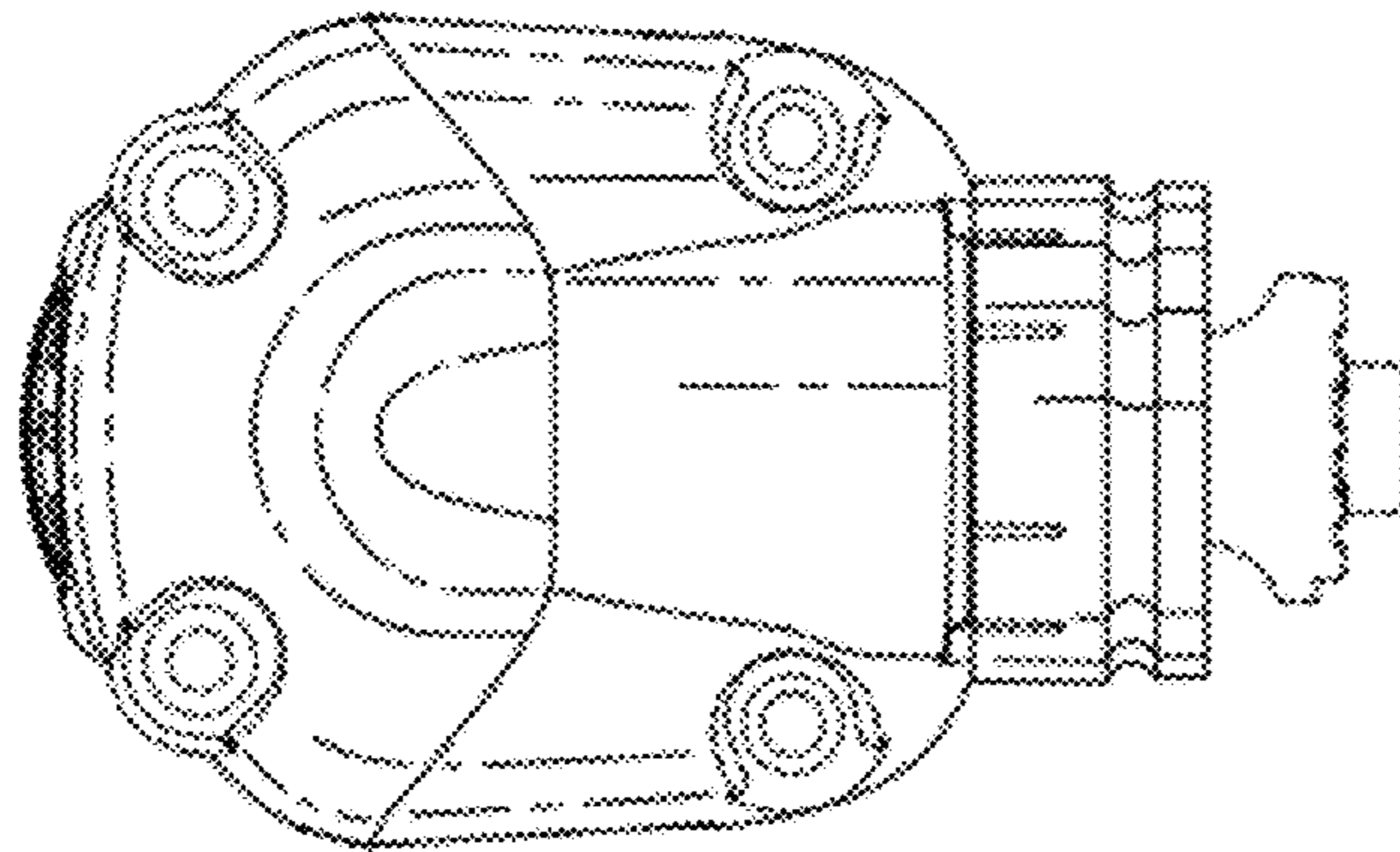


Fig. 6