



US00D662798S

(12) **United States Design Patent**  
**Nikkel**

(10) **Patent No.:** **US D662,798 S**  
(45) **Date of Patent:** **\*\* Jul. 3, 2012**

- (54) **CUTTING BLADE**
- (75) Inventor: **Walter Nikkel**, Curitiba (BR)
- (73) Assignee: **Blount, Inc.**, Portland, OR (US)
- (\*\*) Term: **14 Years**
- (21) Appl. No.: **29/391,925**
- (22) Filed: **May 13, 2011**

D410,309 S *	5/1999	Schmidt .....	D8/16
D412,230 S *	7/1999	Schmidt .....	D8/16
D448,779 S	10/2001	Neuerburg	
D449,053 S	10/2001	Neuerburg	
D449,314 S	10/2001	Neuerburg	
D449,623 S	10/2001	Neuerburg	
D450,065 S	11/2001	Neuerburg	
D475,575 S *	6/2003	Mendenhall .....	D8/20
D562,357 S	2/2008	Hardy	
D566,513 S	4/2008	Marfione	
D637,876 S *	5/2011	Williams .....	D8/20
D640,289 S	6/2011	Wilhelm	
D645,479 S	9/2011	Ehrhart	

**Related U.S. Application Data**

- (63) Continuation-in-part of application No. 29/356,687, filed on Mar. 1, 2010, now abandoned.
  - (51) **LOC (9) Cl.** ..... **08-03**
  - (52) **U.S. Cl.** ..... **D8/20**
  - (58) **Field of Classification Search** ..... D8/16, D8/18-20, 98-104, 350-353; D22/117, D22/118; D24/146; 7/118, 148; 30/142, 30/165, 272.1, 275.4, 276, 277.4, 279.2, 30/299, 303, 346, 346.5, 346.51, 346.55, 30/346.57, 346.58, 347, 353, 357
- See application file for complete search history.

**FOREIGN PATENT DOCUMENTS**

AU	2003204322 A1	1/2004
GB	1141833 A	2/1969

**OTHER PUBLICATIONS**

Langton, M.I., "Methods and Techniques of Sugarcane Harvesting," School of Bioresources Engineering and Environmental Hydrology, University of KwaZulu-Natal, Pietermaritzburg, South Africa, Apr. 2004.

\* cited by examiner

*Primary Examiner* — Garth Rademaker

(74) *Attorney, Agent, or Firm* — Schwabe Williamson & Wyatt

(56) **References Cited**

**U.S. PATENT DOCUMENTS**

582,966 A	5/1897	Twiss	
D31,716 S *	10/1899	Bolton .....	D8/20
D32,191 S *	2/1900	Fuller .....	D8/98
D85,612 S *	11/1931	Gaynor .....	D8/353
D174,375 S	4/1955	Cole	
2,983,057 A	5/1961	Erickson	
D201,710 S *	7/1965	Monek .....	D8/19
D248,474 S	7/1978	Oosterling	
4,109,380 A *	8/1978	Anderson .....	D8/99
D268,641 S *	4/1983	Bonforte .....	D8/20
D274,815 S	7/1984	Ehrler	
D280,903 S	10/1985	Barbula	
4,815,264 A	3/1989	Mijnders	
D370,489 S	6/1996	Taggett	
D386,655 S *	11/1997	Spirer .....	D8/20
D396,174 S	7/1998	Schultz	

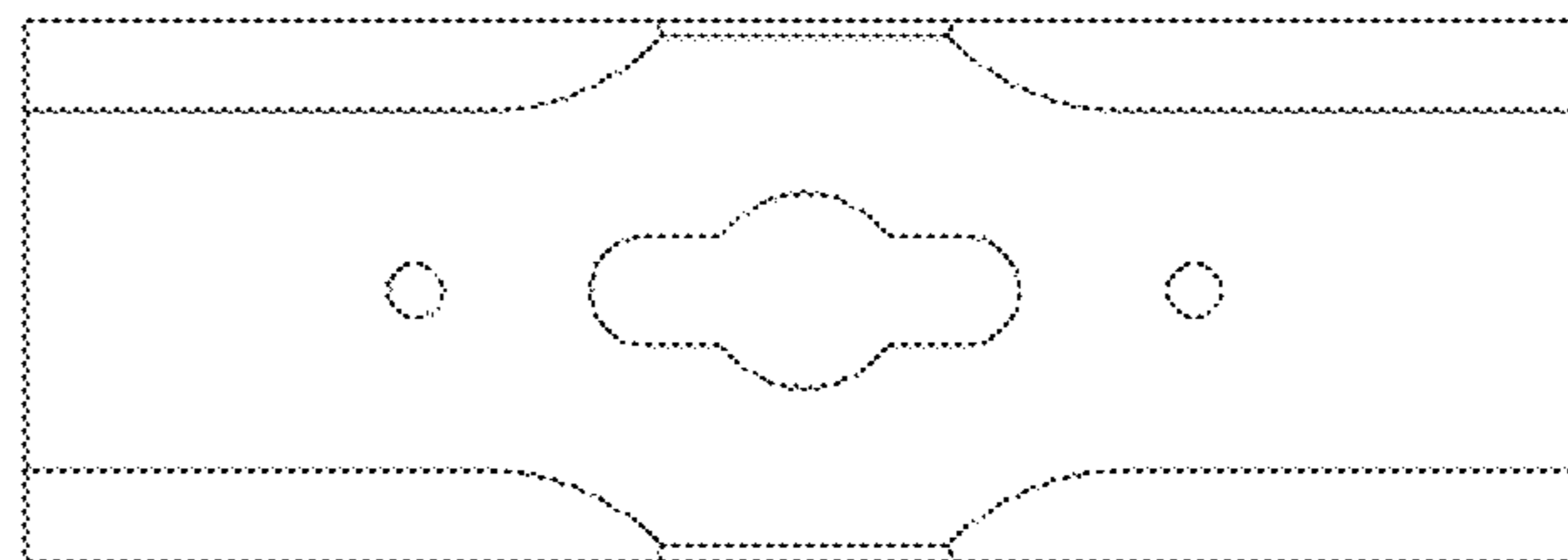
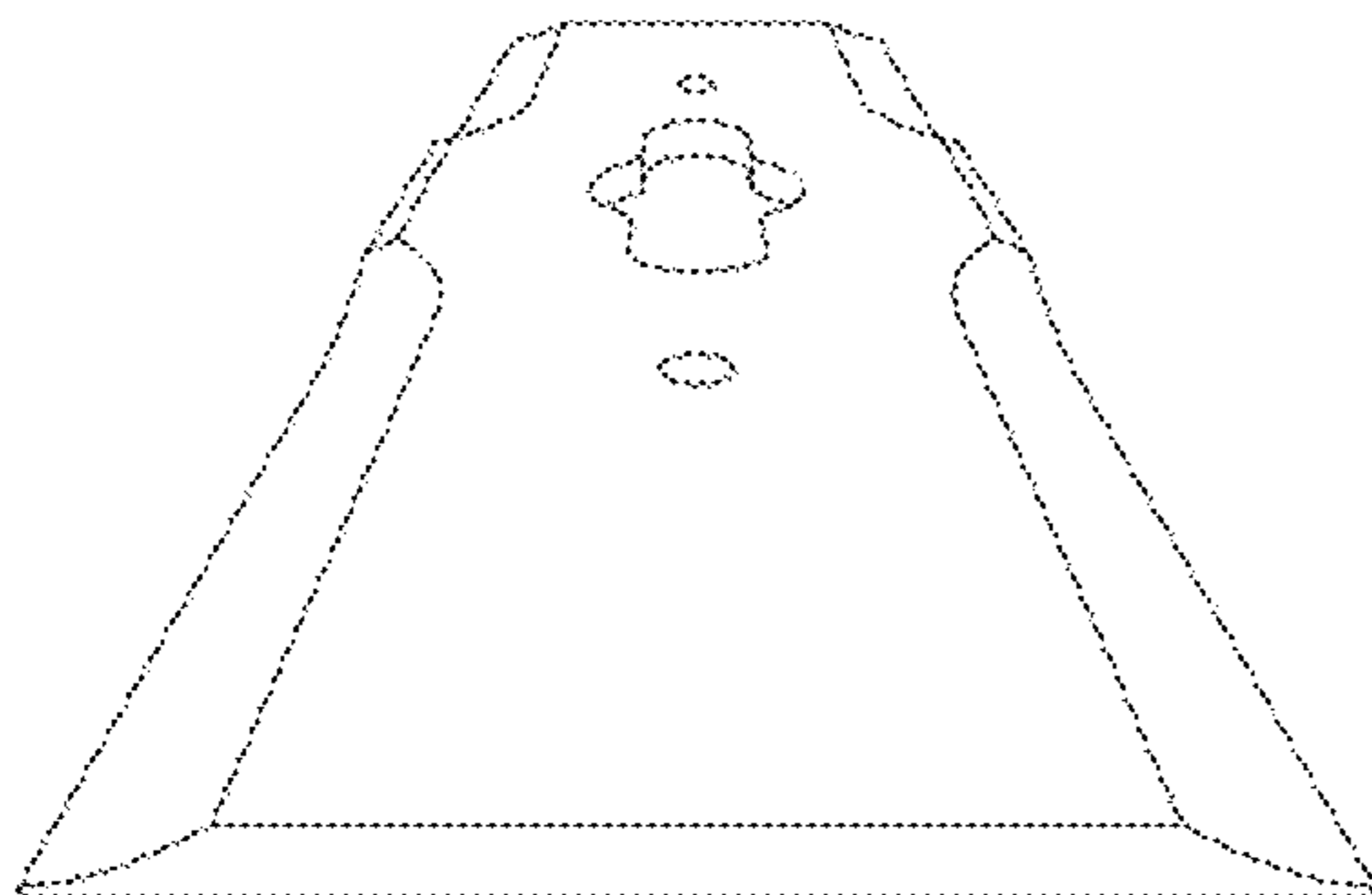
(57) **CLAIM**

I claim the ornamental design for a cutting blade, as shown and described.

**DESCRIPTION**

FIG. 1 is a perspective view of a cutting blade, showing our new design;  
FIG. 2 is a right-side view thereof;  
FIG. 3 is a left-side view thereof;  
FIG. 4 is a front view thereof;  
FIG. 5 is a back view thereof;  
FIG. 6 is a top view thereof; and,  
FIG. 7 is a bottom view thereof.

**1 Claim, 4 Drawing Sheets**



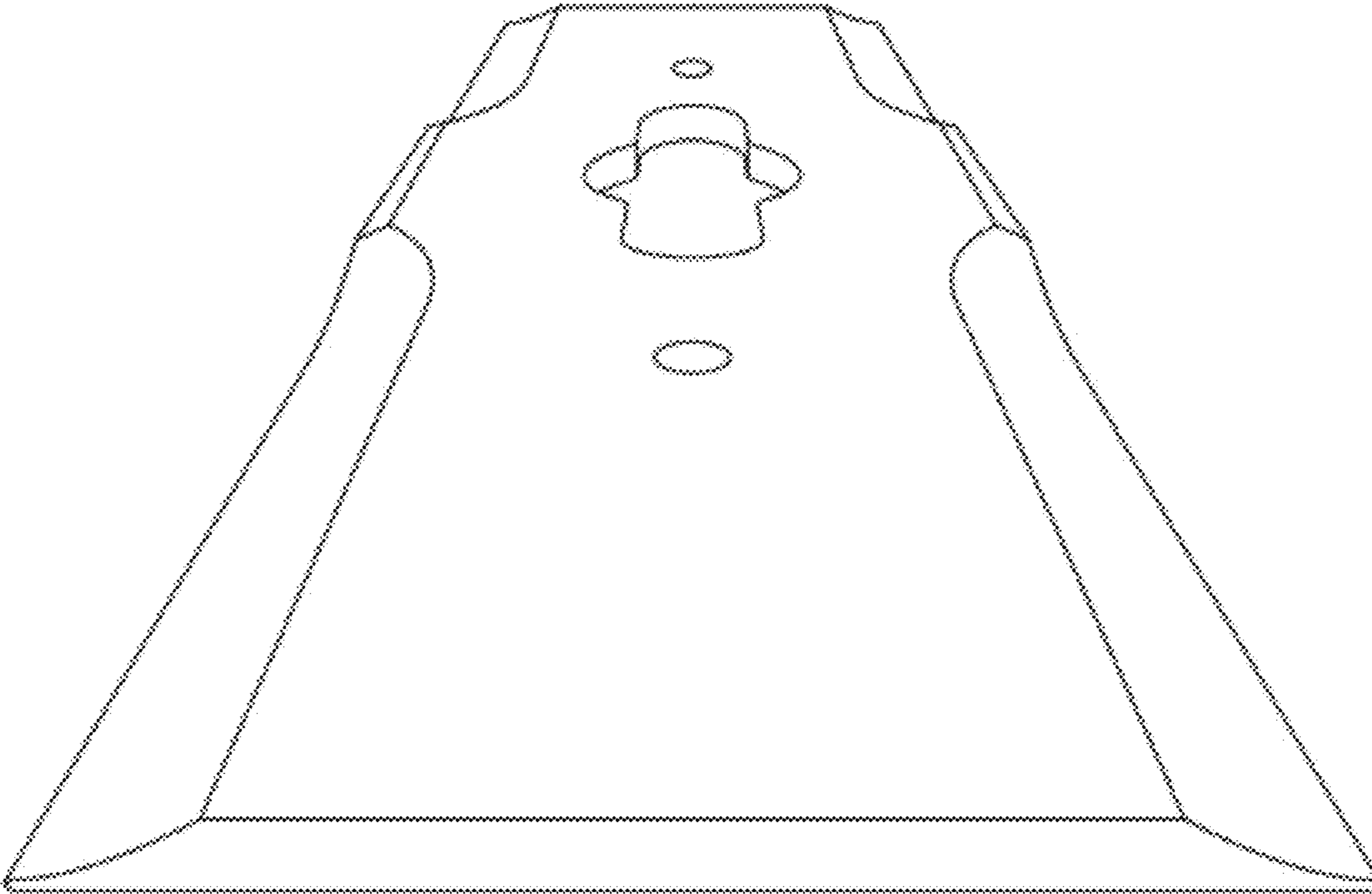


FIG. 1

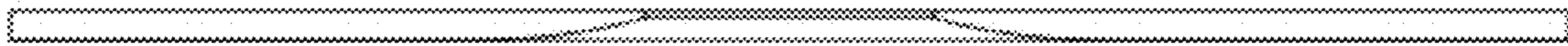


FIG. 2

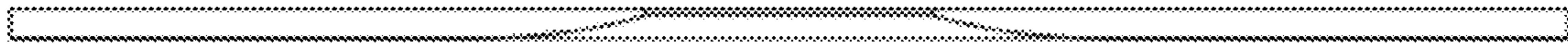


FIG. 3

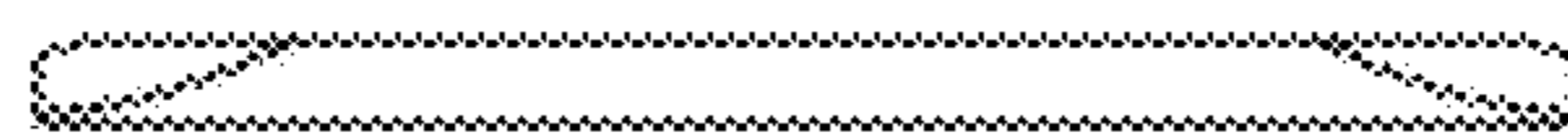


FIG. 4

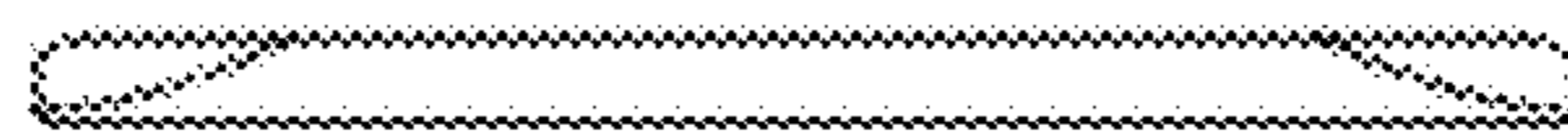


FIG. 5

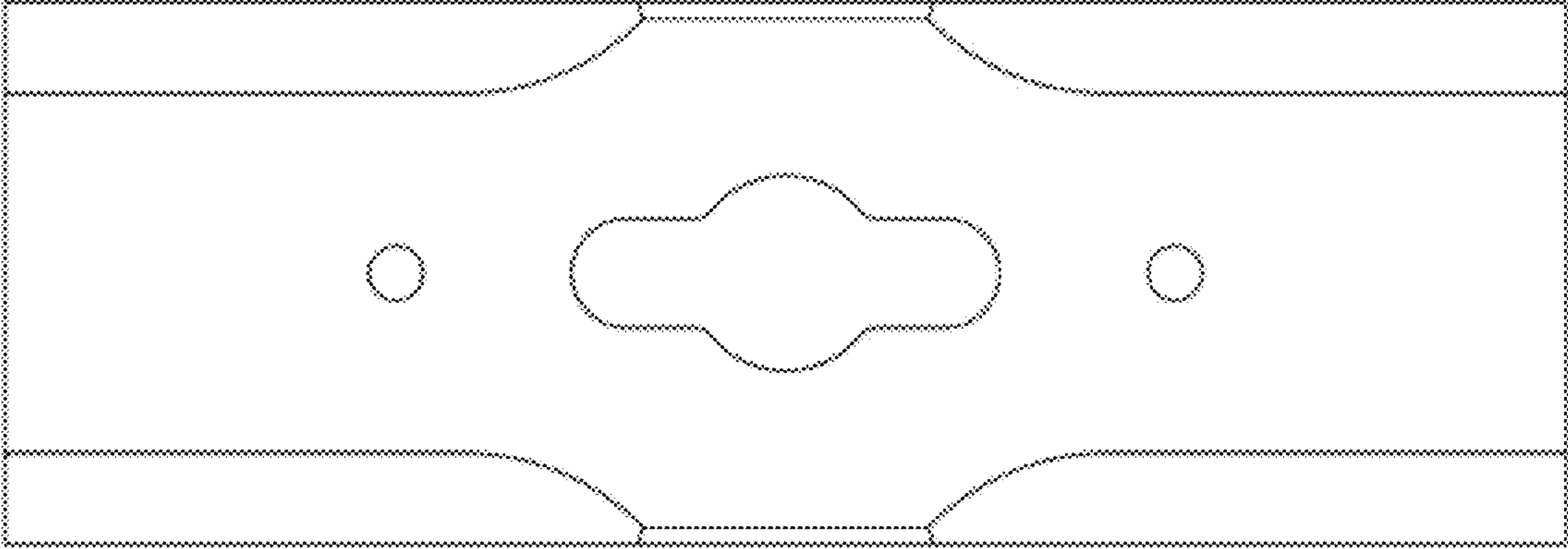


FIG. 6

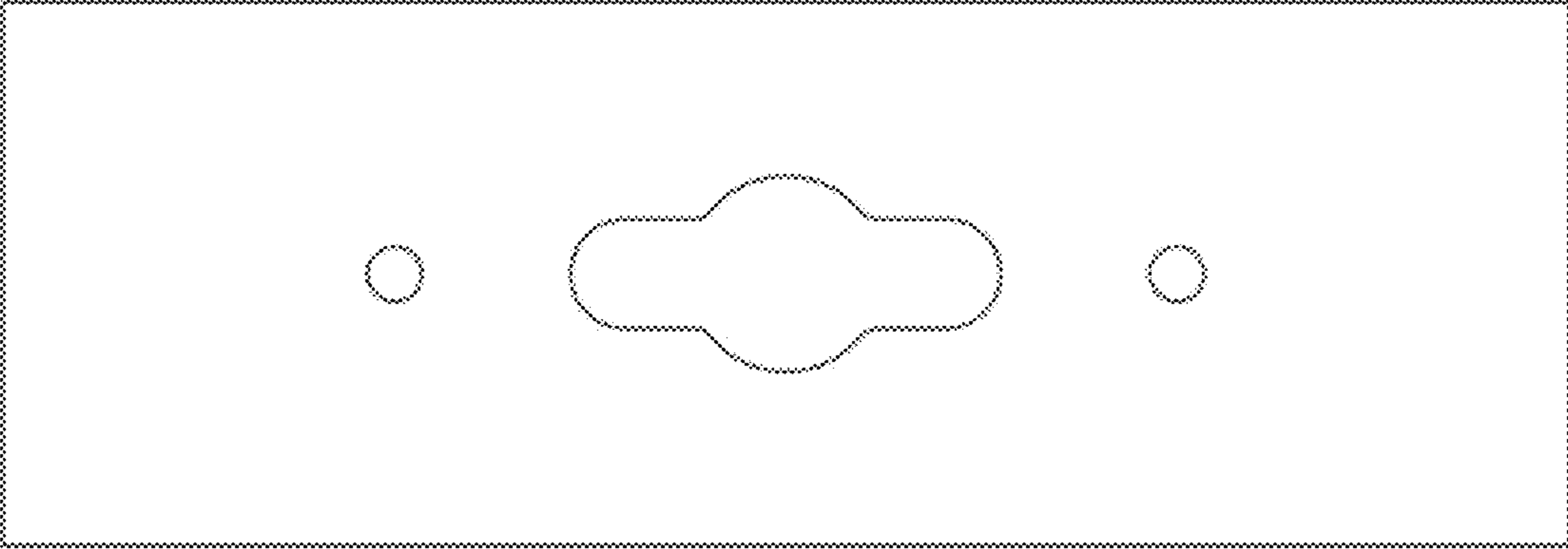


FIG. 7