

US00D662797S

(12) **United States Design Patent**  
**Noyes**

(10) **Patent No.:** **US D662,797 S**  
(45) **Date of Patent:** **\*\* Jul. 3, 2012**

(54) **HUB TOOL**

(75) Inventor: **Rusty J. Noyes**, Bellgrade, MT (US)

(73) Assignee: **Tatarka Tools & Design, LLC**,  
Bozeman, MT (US)

(\*\*) Term: **14 Years**

(21) Appl. No.: **29/365,044**

(22) Filed: **Jul. 1, 2010**

(51) **LOC (9) Cl.** ..... **08-05**

(52) **U.S. Cl.** ..... **D8/14**

(58) **Field of Classification Search** ..... D8/14,  
D8/44, 51, 70; D10/103; D11/47; D21/680-682;  
29/259, 261, 263, 265-267, 426.5, 598, 764;  
157/21; D12/180

See application file for complete search history.

(56) **References Cited**

**U.S. PATENT DOCUMENTS**

1,016,253	A *	2/1912	Denegar	.....	144/218
1,725,114	A *	8/1929	Gelderen	.....	30/90.1
D85,697	S *	12/1931	Holzworth	.....	D11/147
2,755,601	A *	7/1956	Lux	.....	451/178
3,875,644	A *	4/1975	Simpson		
D255,768	S *	7/1980	Immel et al.	.....	D8/51
4,283,827	A *	8/1981	Abel		
4,642,866	A *	2/1987	Murtaugh	.....	29/259
4,675,968	A *	6/1987	Bartlett	.....	29/254
4,700,434	A *	10/1987	Fambrough	.....	242/388.2
D292,963	S *	12/1987	Murtaugh	.....	D8/51
4,893,395	A *	1/1990	Crowder	.....	29/259
5,211,211	A *	5/1993	Rubino et al.	.....	29/259
5,322,415	A *	6/1994	White et al.		
5,349,736	A *	9/1994	Rubino et al.	.....	29/426.5
D355,823	S *	2/1995	Dumas et al.	.....	D8/51
D358,119	S *	5/1995	Winter	.....	D12/160
D359,670	S *	6/1995	Cutter	.....	D8/51
D361,926	S *	9/1995	Strickland	.....	D8/14
5,606,788	A *	3/1997	Rubino et al.	.....	29/259
5,613,288	A *	3/1997	Lundsten		
5,853,033	A *	12/1998	Kavanagh	.....	140/123

6,012,211	A *	1/2000	Ochoa et al.	.....	29/426.5
D422,427	S *	4/2000	Packer	.....	D6/403
6,382,276	B1 *	5/2002	Daniels et al.	.....	144/135.2
D462,256	S *	9/2002	Jaynes	.....	D8/382
D467,485	S *	12/2002	Daniels et al.	.....	D8/70

(Continued)

**FOREIGN PATENT DOCUMENTS**

JP 2001-277148 A 10/2001

(Continued)

**OTHER PUBLICATIONS**

International Searching Authority—PCT—Notification of Transmittal of the International Search Report and the Written Opinion of the International Searching Authority, or the Declaration. (PCT/US2010/032432).

*Primary Examiner* — Philip S Hyder

*Assistant Examiner* — Roselynn Cody

(74) *Attorney, Agent, or Firm* — Hamilton IP Law, PC; Jay R. Hamilton; Charles A. Damschen

(57) **CLAIM**

The ornamental design for a hub tool, as shown and described.

**DESCRIPTION**

U.S. non-provisional utility patent application filed Apr. 26, 2010 and assigned Ser. No. 12/767,054.

FIG. 1 is a front perspective view showing my new design;

FIG. 2 is a front side view thereof;

FIG. 3 is a top side view thereof;

FIG. 4 is a bottom side view thereof;

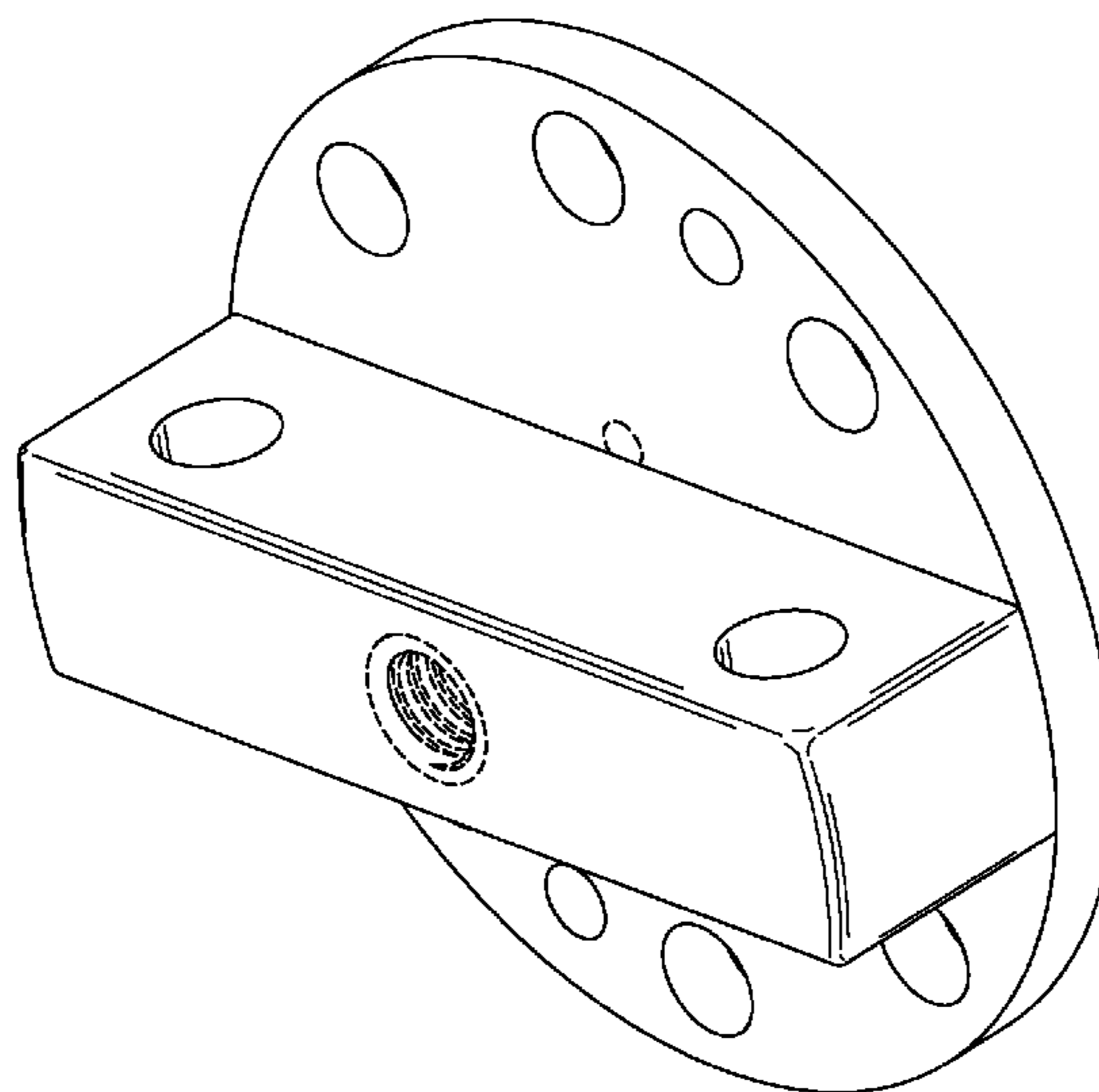
FIG. 5 is a rear side view thereof;

FIG. 6 is a right side view thereof; and,

FIG. 7 is a left side view thereof.

The broken lines in the Figures are for illustrative purposes only and form no part of the claimed design.

**1 Claim, 6 Drawing Sheets**



# US D662,797 S

Page 2

---

## U.S. PATENT DOCUMENTS

6,502,293 B1 \* 1/2003 Khurana ..... 29/426.5  
D483,237 S \* 12/2003 Matney ..... D8/14  
D510,388 S \* 10/2005 Siegel ..... D19/77  
D519,584 S \* 4/2006 Brice et al. .... D21/681  
D610,577 S \* 2/2010 Jenkins ..... D14/238  
D625,650 S \* 10/2010 Simpson et al. .... D11/147  
2005/0079056 A1 4/2005 Welsh

2009/0300896 A1\* 12/2009 Ozzimo ..... 29/267  
2010/0101736 A1\* 4/2010 Warkotsch ..... 157/21

## FOREIGN PATENT DOCUMENTS

KR 20-0116834 Y1 6/1998  
KR 20-0125671 Y1 2/1999  
KR 10-2002-0080711 A 10/2002

\* cited by examiner

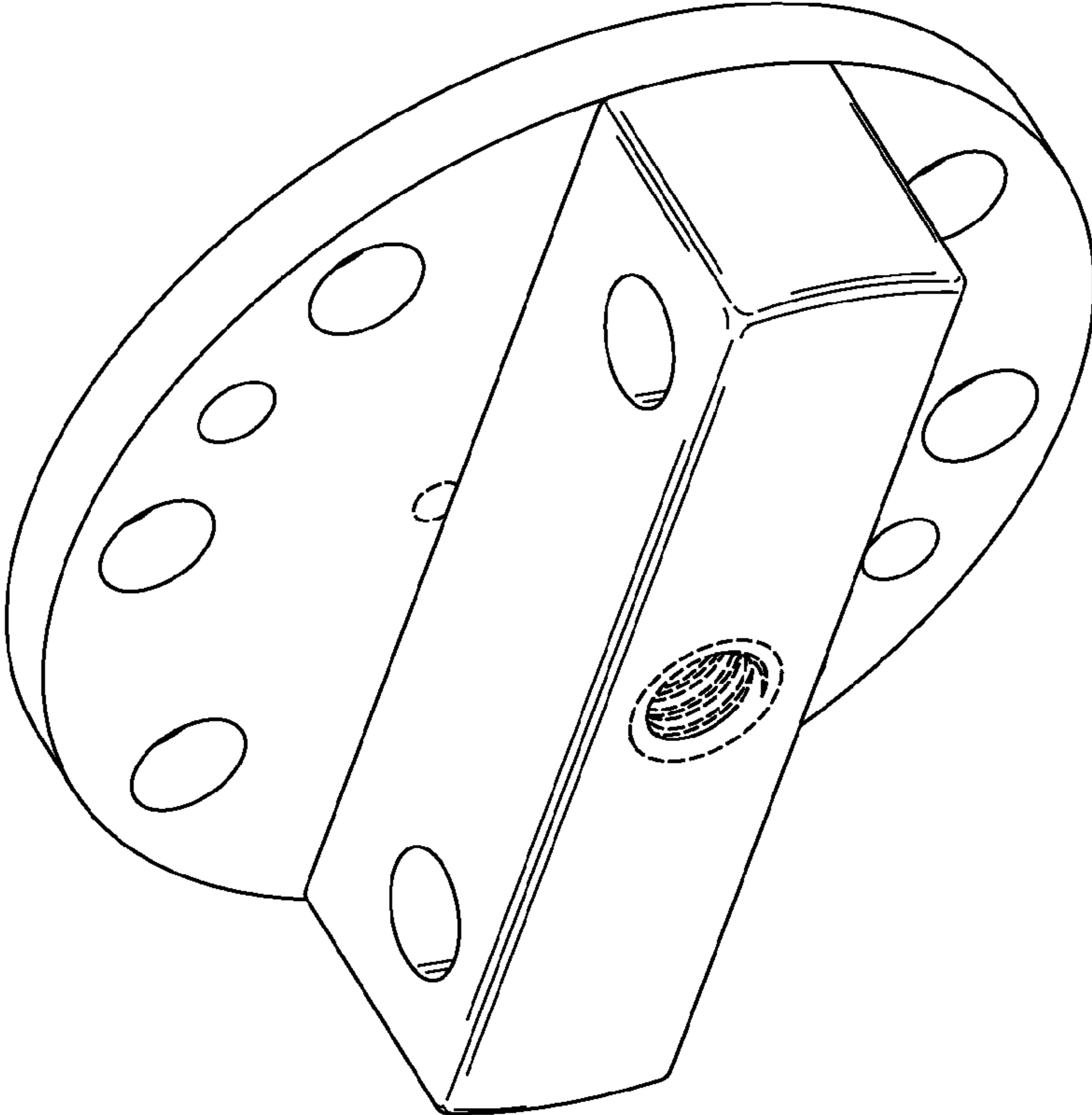


FIG. 1

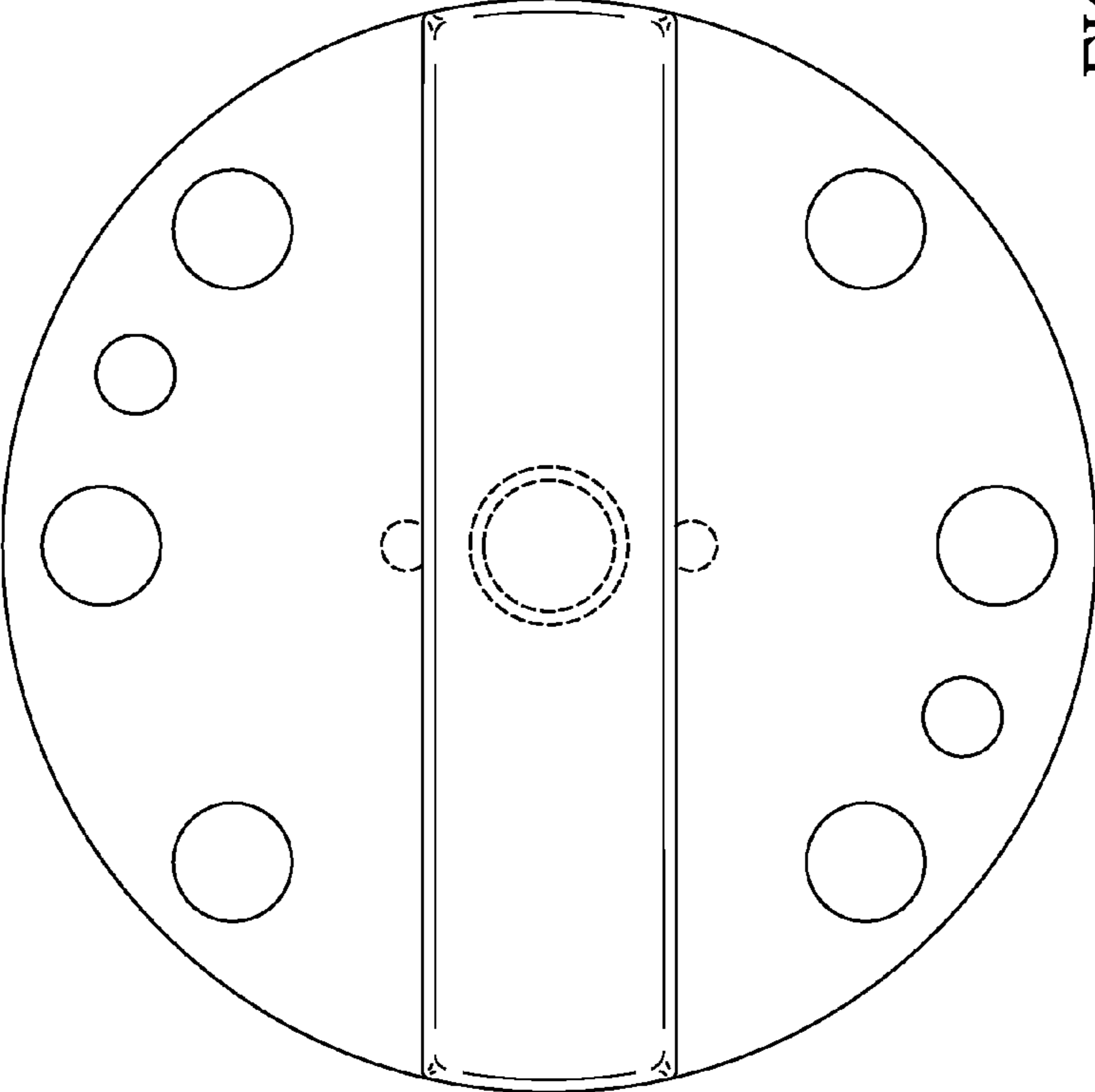


FIG. 2

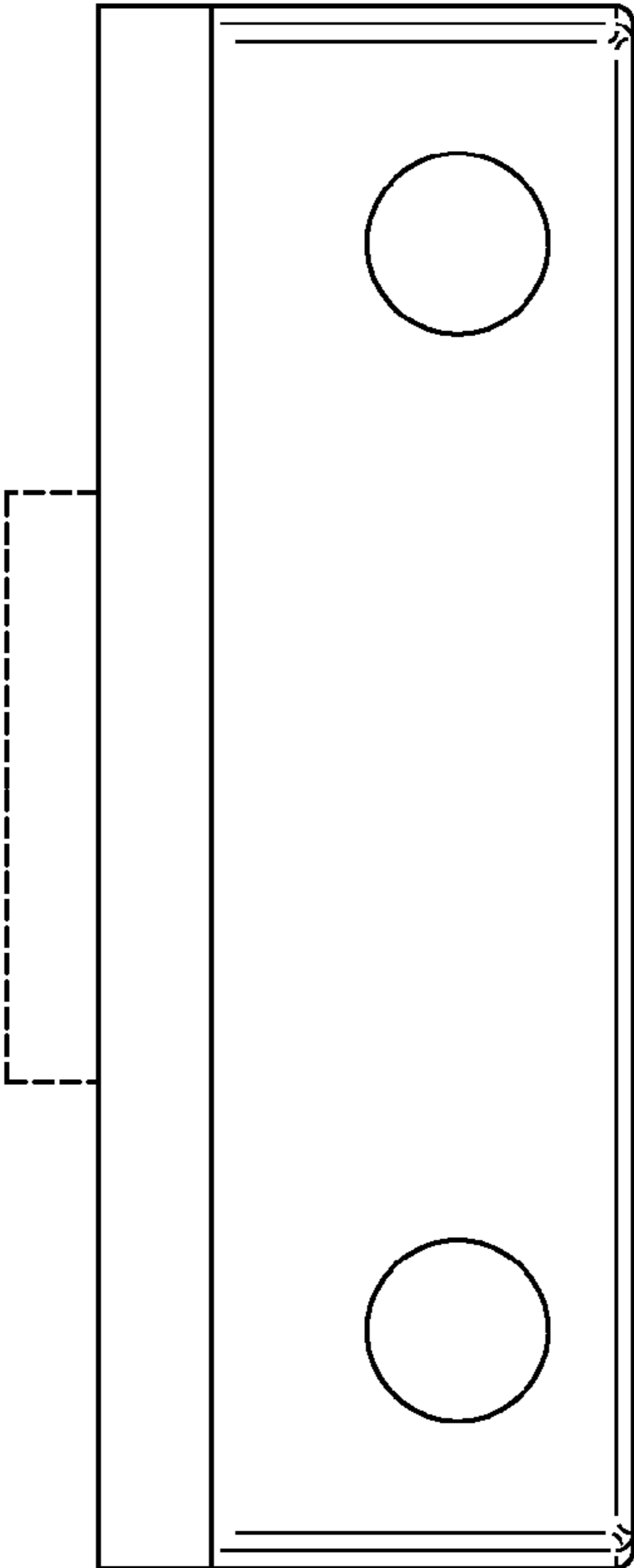


FIG. 3

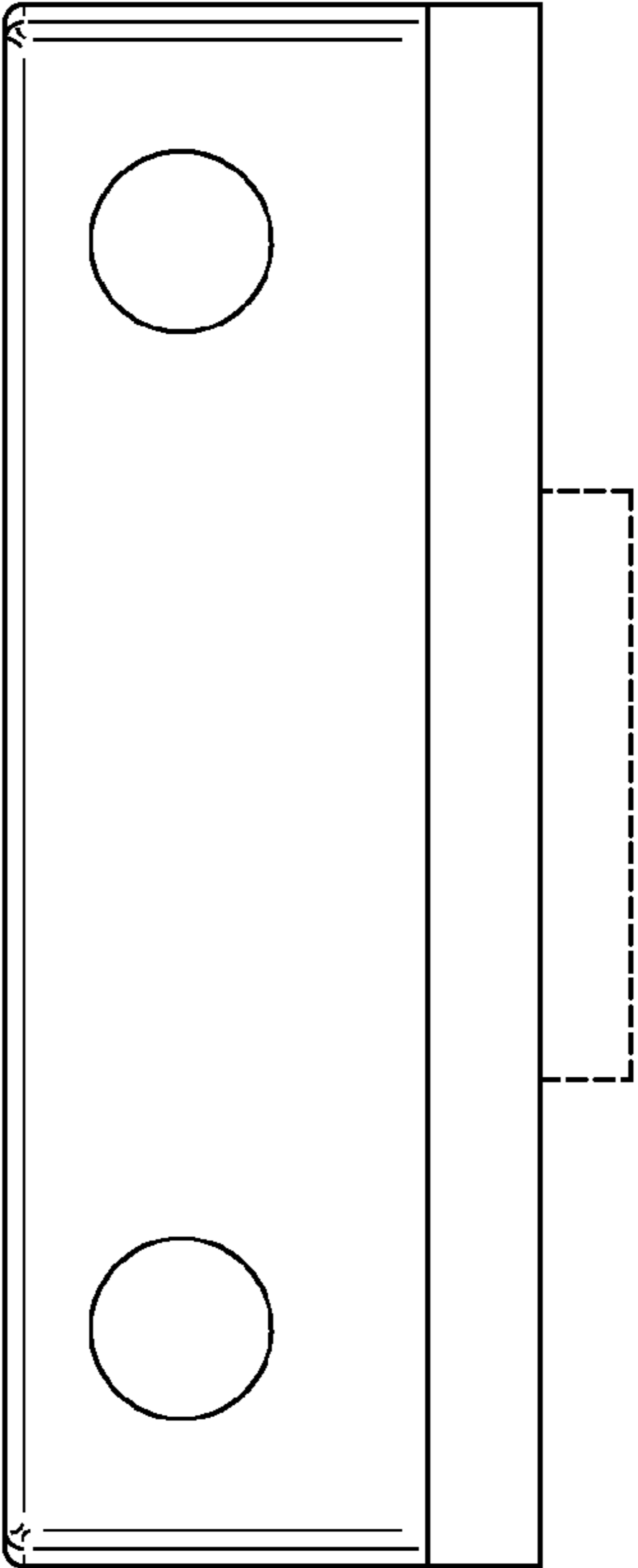


FIG. 4

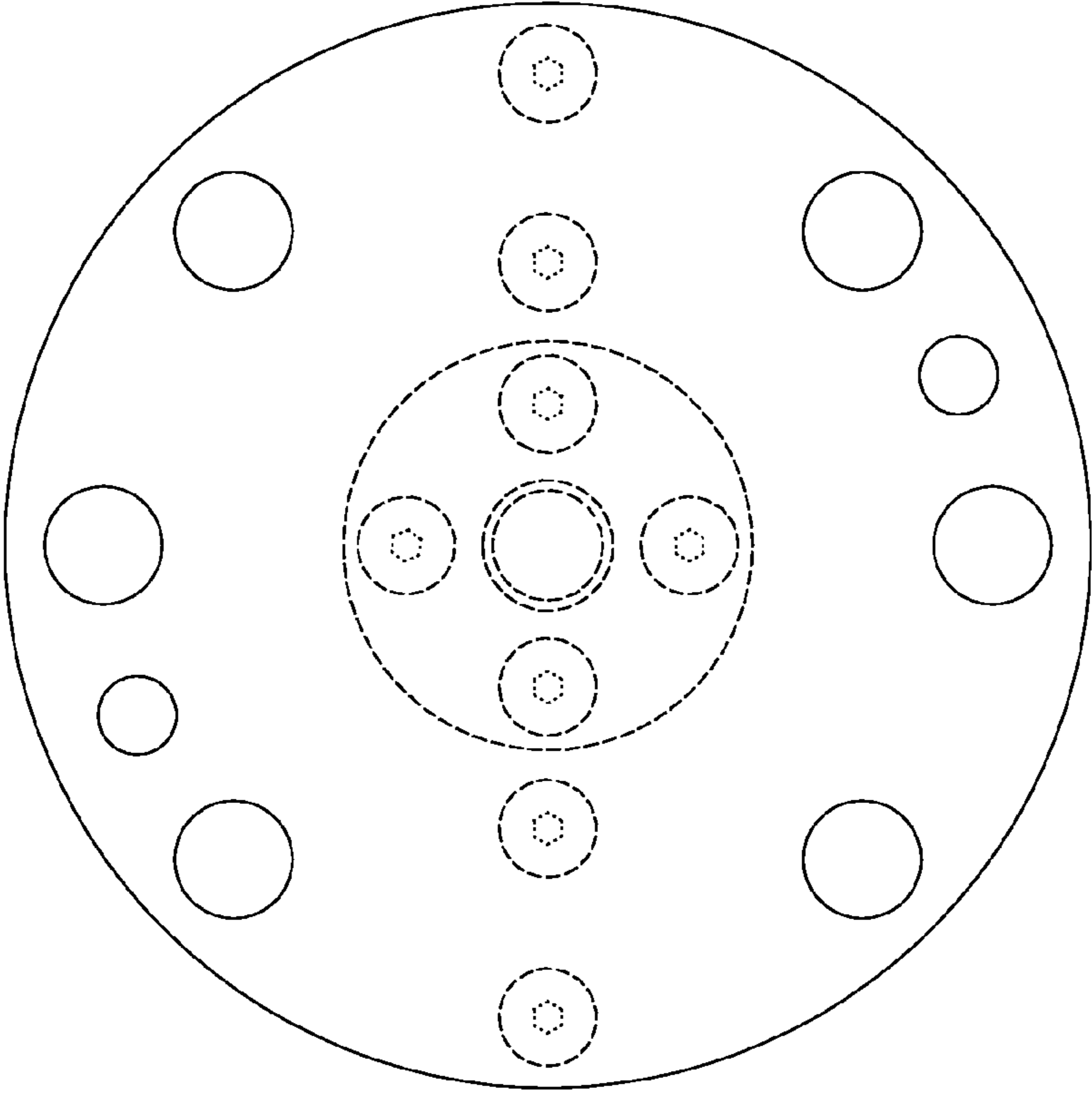


FIG. 5

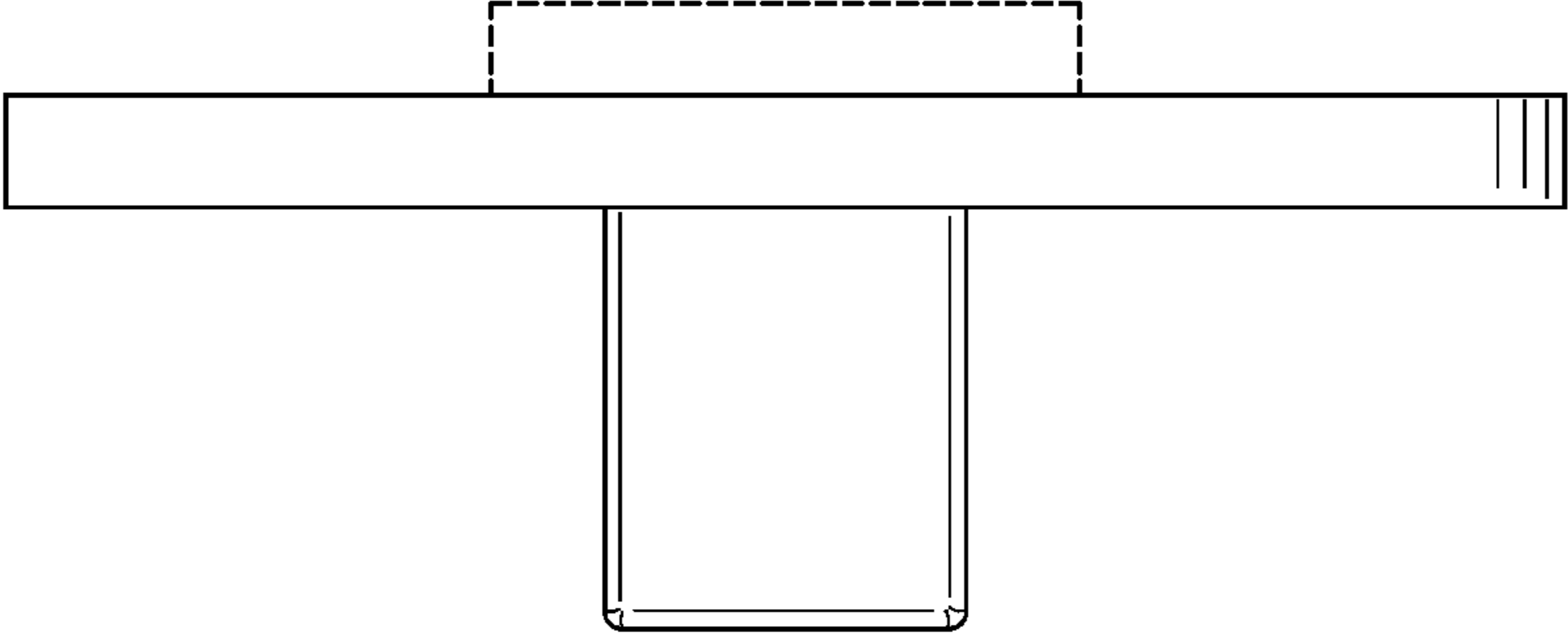


FIG. 7

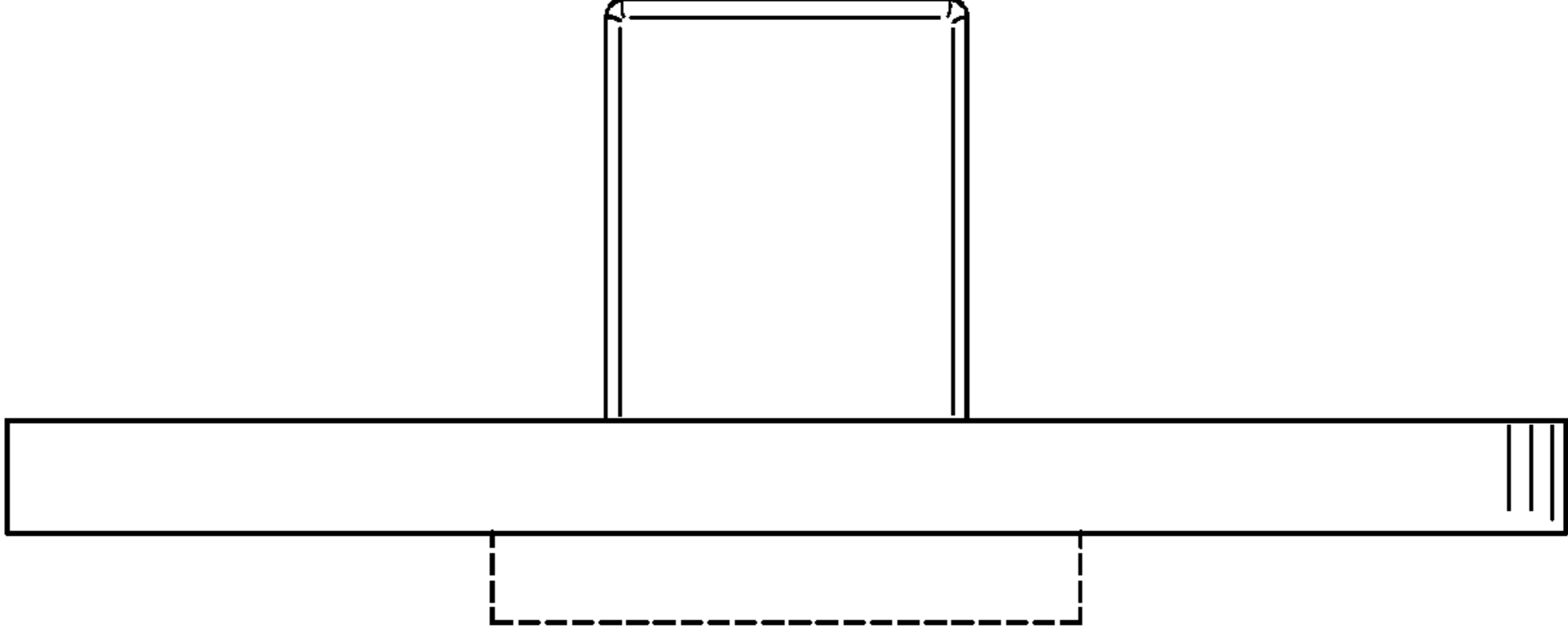


FIG. 6