



US00D662796S

(12) **United States Design Patent**  
**Stone**

(10) **Patent No.:** **US D662,796 S**

(45) **Date of Patent:** **\*\* \*Jul. 3, 2012**

(54) **TOOL FOR SNAPPING AND THEN  
EXTRACTING LOOP PANEL TIES FROM  
CONCRETE**

(76) Inventor: **Marc L. Stone**, Loraine, OH (US)

(\*) Notice: This patent is subject to a terminal disclaimer.

(\*\*) Term: **14 Years**

(21) Appl. No.: **29/349,456**

(22) Filed: **Apr. 5, 2010**

(51) **LOC (9) Cl.** ..... **08-05**

(52) **U.S. Cl.** ..... **D8/14**

(58) **Field of Classification Search** ..... D8/14,  
D8/51, 88-89; 72/458; 254/27, 29 A, 250;  
140/123, 149

See application file for complete search history.

(56) **References Cited**

**U.S. PATENT DOCUMENTS**

D52,052	S	*	5/1918	Baird et al.	.....	D8/89
1,500,204	A	*	7/1924	Richard	.....	254/29 A
2,156,528	A	*	5/1939	Colt	.....	254/29 R
2,183,806	A	*	12/1939	Colt	.....	254/250
2,675,723	A	*	4/1954	Stein	.....	72/458
2,777,479	A	*	1/1957	Beanum	.....	140/149
3,473,578	A	*	10/1969	McArdle et al.	.....	140/149
3,722,555	A	*	3/1973	Voelsch	.....	140/123
3,732,721	A	*	5/1973	Cusimano	.....	72/458
3,965,542	A	*	6/1976	Gregory	.....	24/136 R
3,965,543	A	*	6/1976	Connors	.....	24/136 R
5,193,378	A		3/1993	Ritter et al.		
D336,554	S	*	6/1993	Reeder	.....	D30/121
5,431,196	A		7/1995	Forrester et al.		
D361,248	S	*	8/1995	Harper et al.	.....	D8/51
D371,492	S	*	7/1996	Pfeil et al.	.....	D8/14

D372,177	S	*	7/1996	Hansen	.....	D8/51
5,605,181	A		2/1997	Vuong		
5,752,860	A		5/1998	Greaves		
5,947,166	A		9/1999	Doyle et al.		
D416,566	S		11/1999	Perez		
D426,121	S	*	6/2000	Kientz et al.	.....	D8/44
6,668,872	B1	*	12/2003	Williams et al.	.....	140/123
6,997,030	B1		2/2006	Williams		
D609,540	S	*	2/2010	Oberg	.....	D8/51
D617,160	S	*	6/2010	Spiller	.....	D8/14
D623,910	S	*	9/2010	Botkin	.....	D8/14

\* cited by examiner

*Primary Examiner* — Philip S Hyder

*Assistant Examiner* — Roselynn Cody

(74) *Attorney, Agent, or Firm* — Miracle Law LLC; Bryce D. Miracle

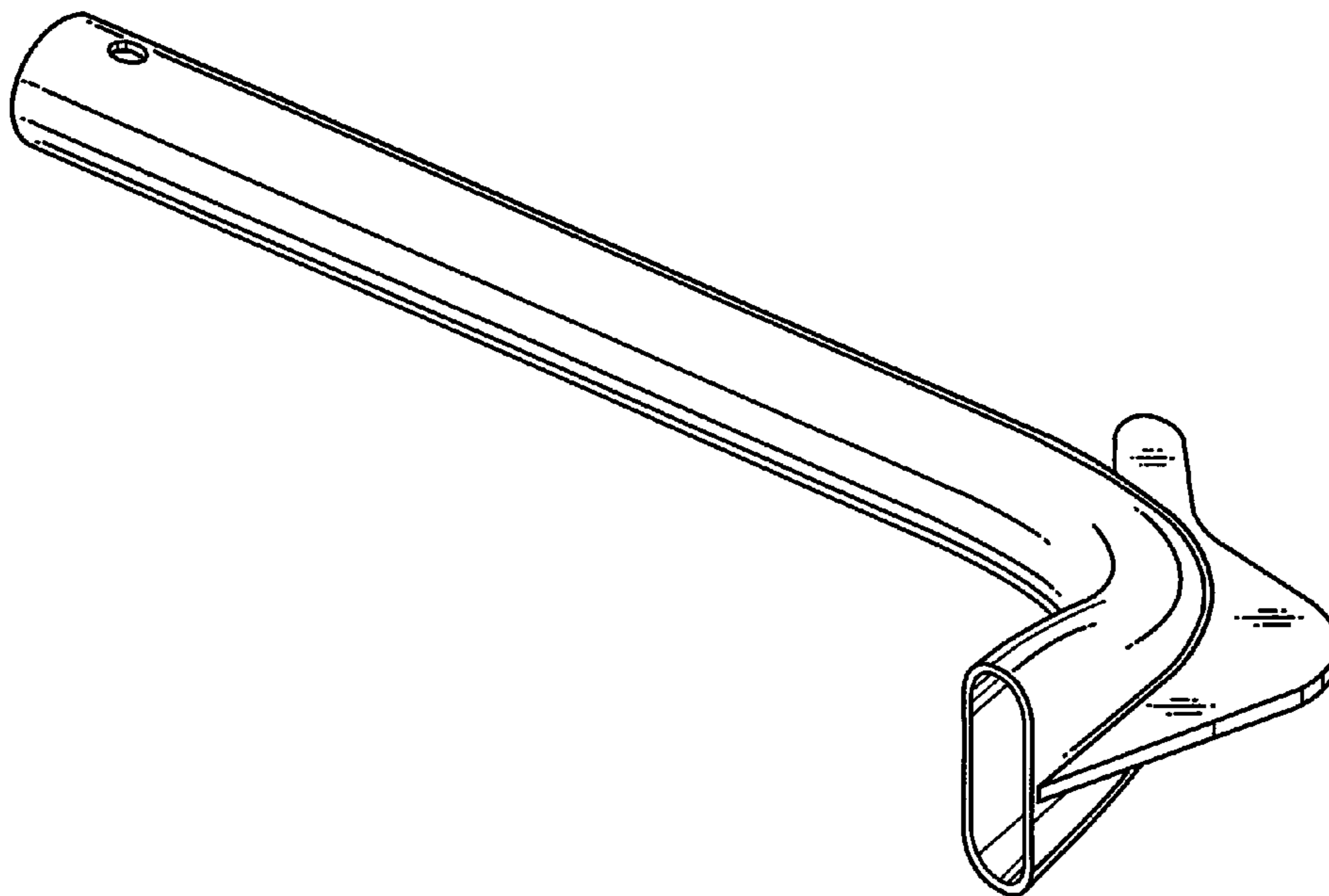
(57) **CLAIM**

The ornamental design for a tool for snapping and then extracting loop panel ties from concrete, as shown and described.

**DESCRIPTION**

FIG. 1 is a perspective first view of a tool for snapping and then extracting loop panel ties from concrete, as seen from the rear, right, and bottom end, showing my new design; FIG. 2 is a perspective second view of the tool for snapping and then extracting loop panel ties from concrete, as seen from the front, right top end; FIG. 3 is a front elevational view thereof; FIG. 4 is a right side elevational view thereof; FIG. 5 is a rear elevational view thereof; FIG. 6 is a left side elevational view thereof; FIG. 7 is a bottom plan view thereof; and, FIG. 8 is a top plan view thereof.

**1 Claim, 4 Drawing Sheets**



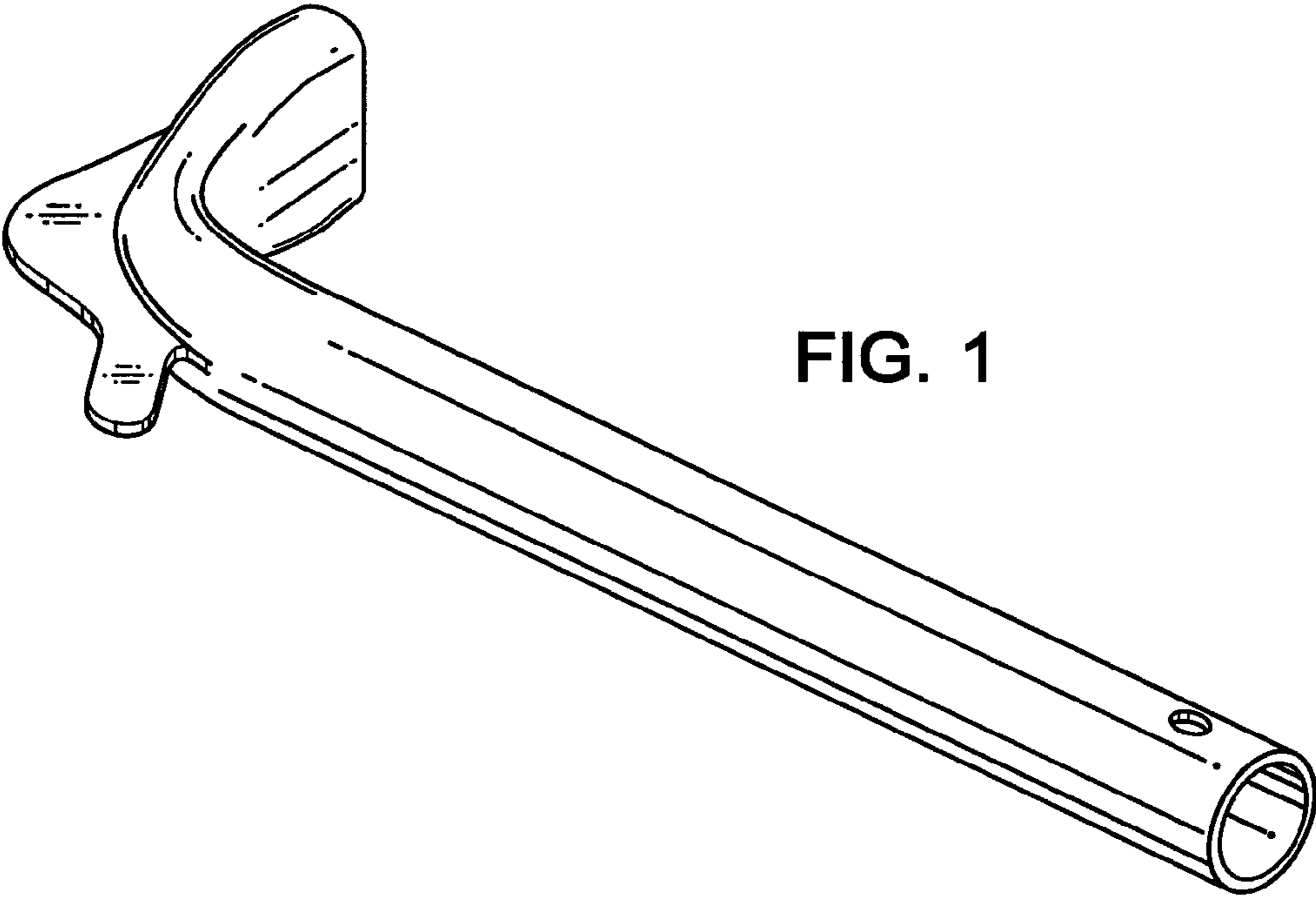


FIG. 1

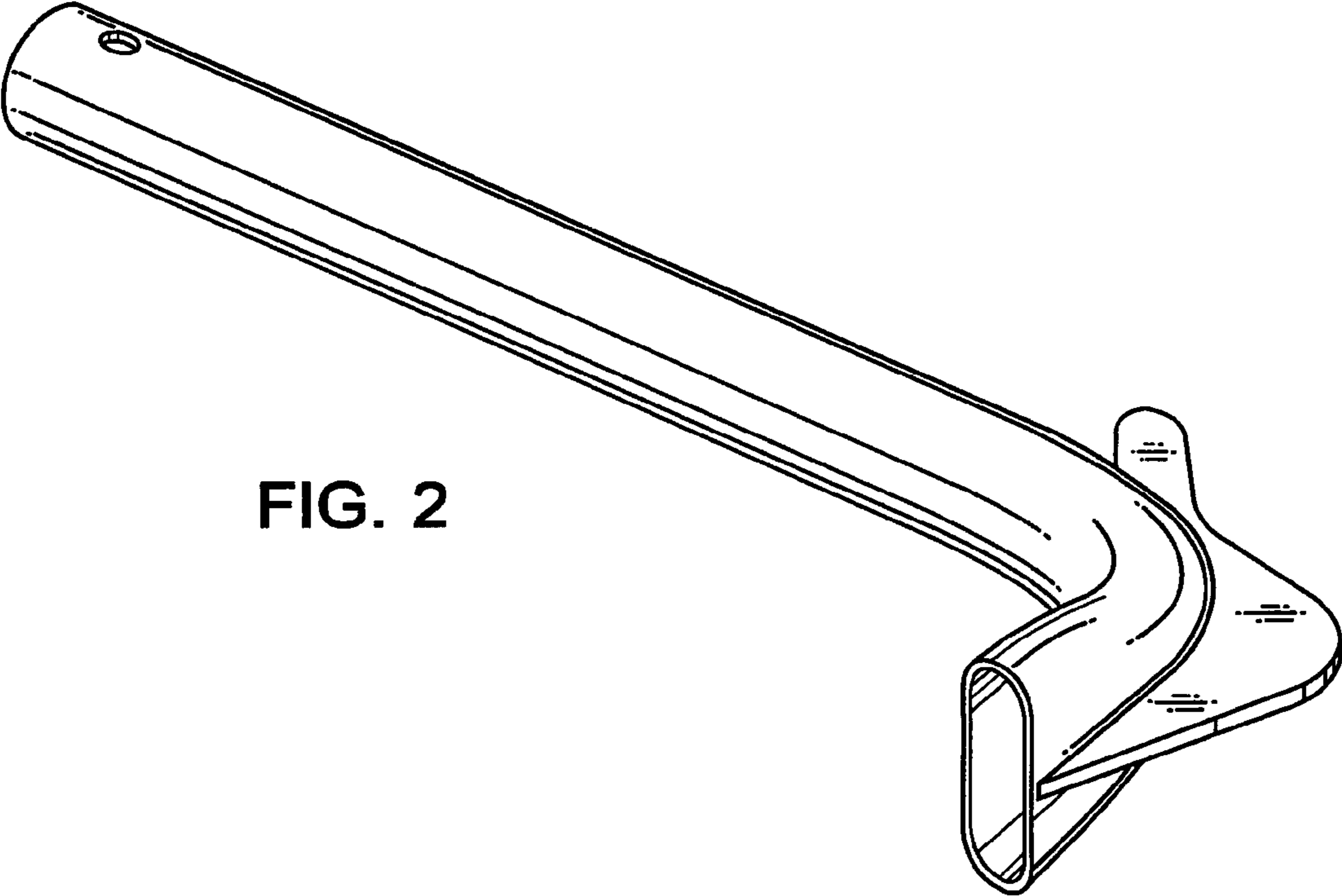


FIG. 2

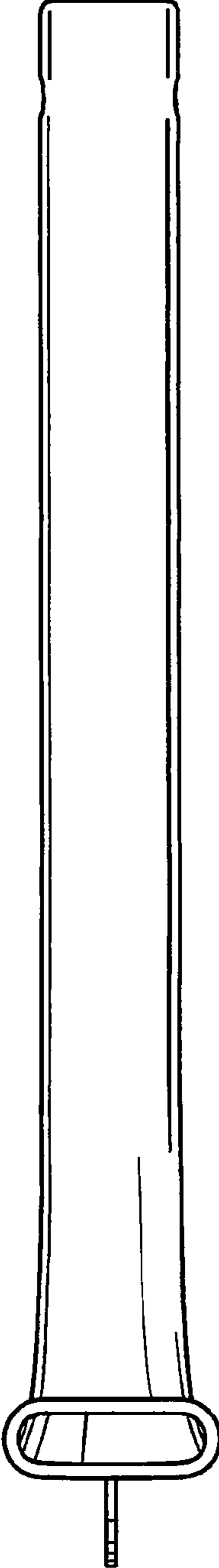


FIG. 3



FIG. 4

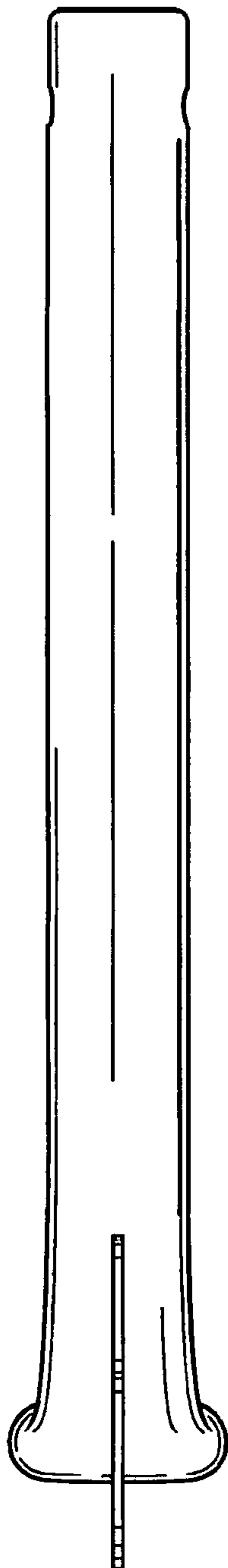


FIG. 5

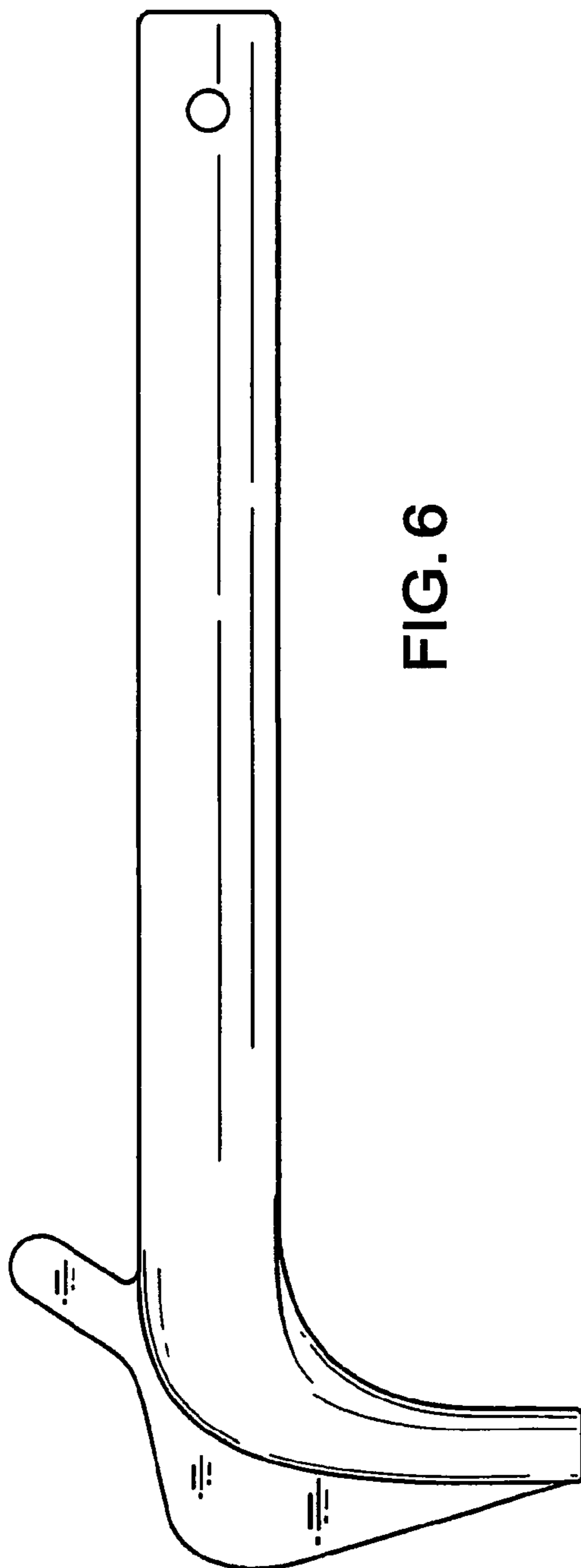


FIG. 6

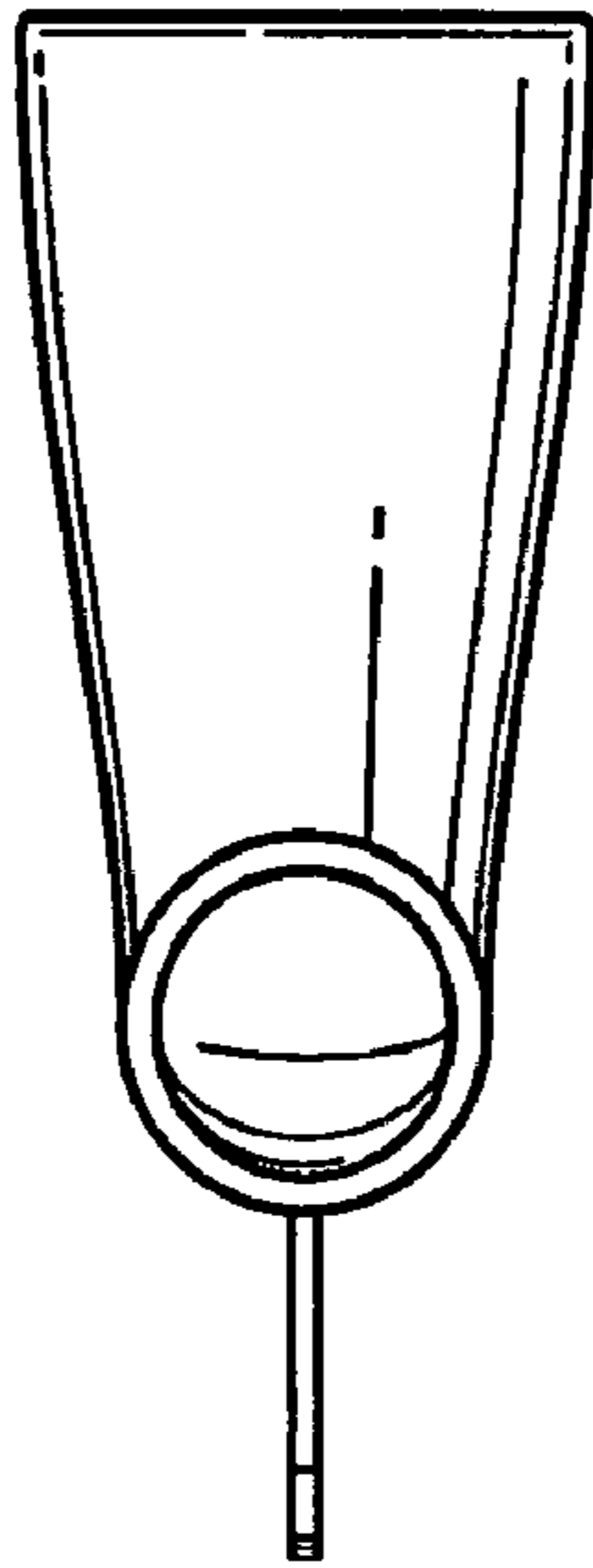


FIG. 7

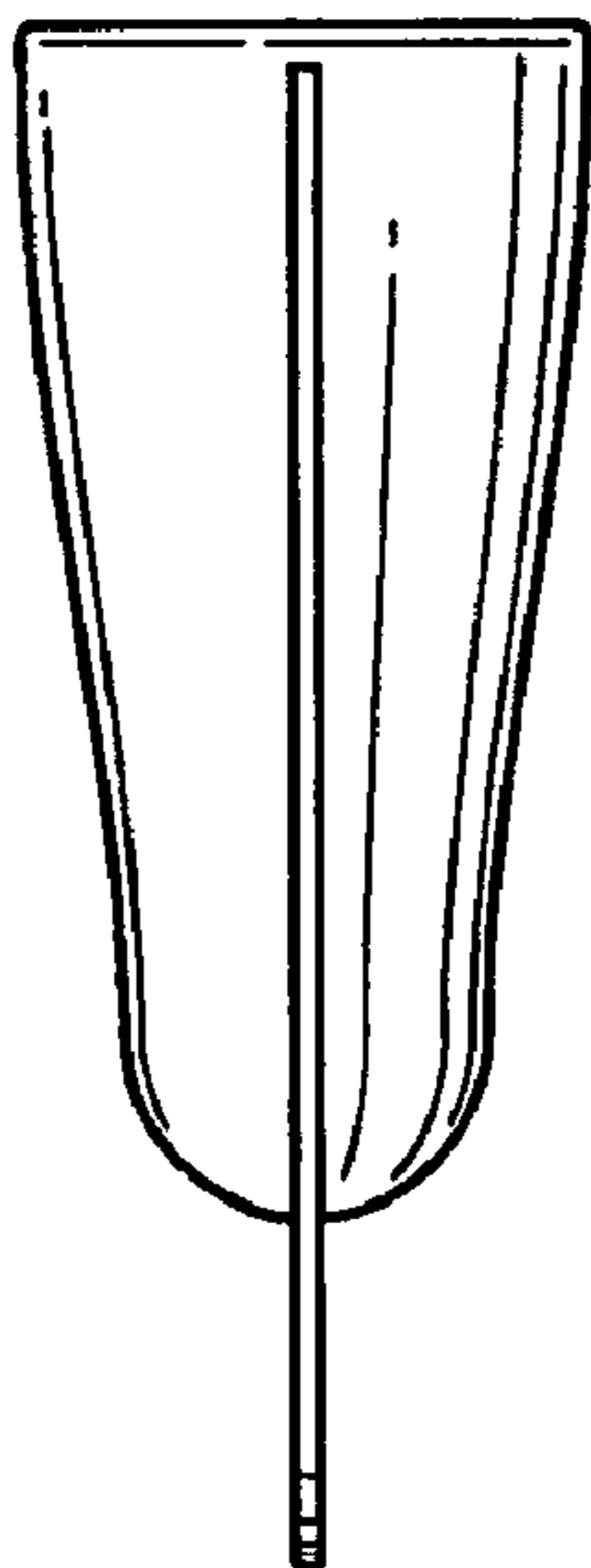


FIG. 8