



US00D662795S

(12) **United States Design Patent**  
**Nääs**

(10) **Patent No.:** **US D662,795 S**  
(45) **Date of Patent:** **\*\* Jul. 3, 2012**

(54) **TRIMMER**

(75) Inventor: **Marcus Nääs**, Tyresö (SE)

(73) Assignee: **Husqvarna AB**, Huskvarna (SE)

(\*\*) Term: **14 Years**

(21) Appl. No.: **29/407,121**

(22) Filed: **Nov. 23, 2011**

(30) **Foreign Application Priority Data**

May 25, 2011 (EM) ..... 001868647

(51) **LOC (9) Cl.** ..... **08-01**

(52) **U.S. Cl.** ..... **D8/8**

(58) **Field of Classification Search** ..... D8/7, 8,  
D8/9; 30/208, 276, 228, 382, 383, 216; 56/12.7,  
56/233–237; 172/13; D15/1

See application file for complete search history.

(56) **References Cited**

**U.S. PATENT DOCUMENTS**

D342,875 S \* 1/1994 Franke et al. .... D8/8  
D358,308 S \* 5/1995 Griffin ..... D8/8  
D361,336 S \* 8/1995 Tinius ..... D15/1

D361,702 S \* 8/1995 Kidwell et al. .... D8/8  
D416,265 S \* 11/1999 Kato et al. .... D15/1  
D478,793 S \* 8/2003 Holmdahl et al. .... D8/8  
7,520,061 B2 \* 4/2009 Herzog et al. .... 30/276  
D605,910 S \* 12/2009 Tinius ..... D8/8  
D638,856 S \* 5/2011 Koizumi et al. .... D15/5  
D644,664 S \* 9/2011 Sugiyama et al. .... D15/1  
D653,509 S \* 2/2012 Tinius ..... D8/8

\* cited by examiner

*Primary Examiner* — Sheryl Lane

(74) *Attorney, Agent, or Firm* — Nelson Mullins Riley & Scarborough LLP

(57) **CLAIM**

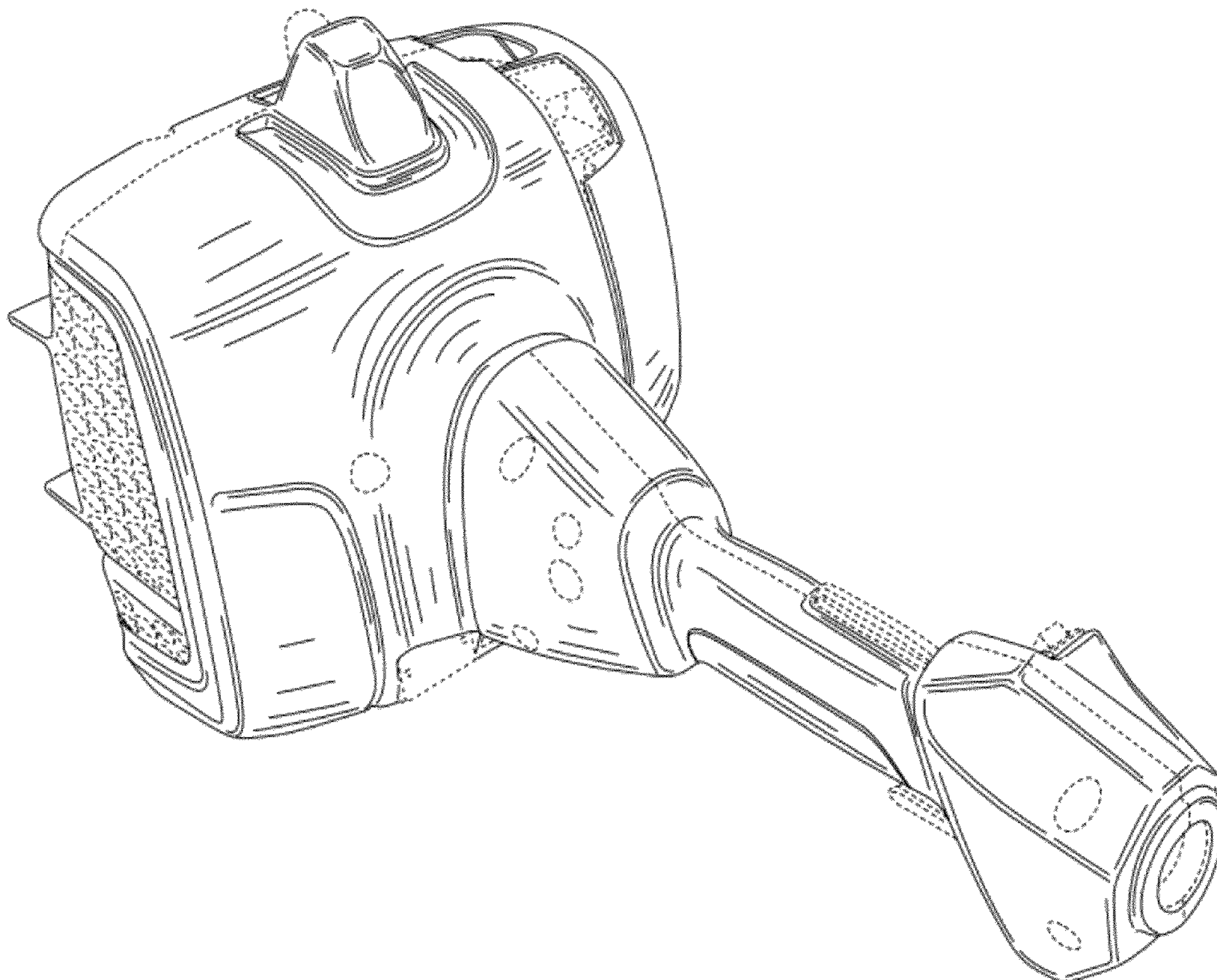
The ornamental design for a trimmer, as shown and described.

**DESCRIPTION**

FIG. 1 is a top perspective view of a trimmer in accordance with an embodiment of the present invention; FIG. 2 is a right side view of the trimmer of FIG. 1; FIG. 3 is a left side view of the trimmer of FIG. 1; FIG. 4 is a top plan view of the trimmer of FIG. 1; FIG. 5 is a bottom plan view of the trimmer of FIG. 1; FIG. 6 is a front view of the trimmer of FIG. 1; and, FIG. 7 is a rear view of the trimmer of FIG. 1.

The broken lines of FIGS. 1-7 are illustrative of the visible environmental structure of the trimmer and form no part of the claimed design.

**1 Claim, 6 Drawing Sheets**



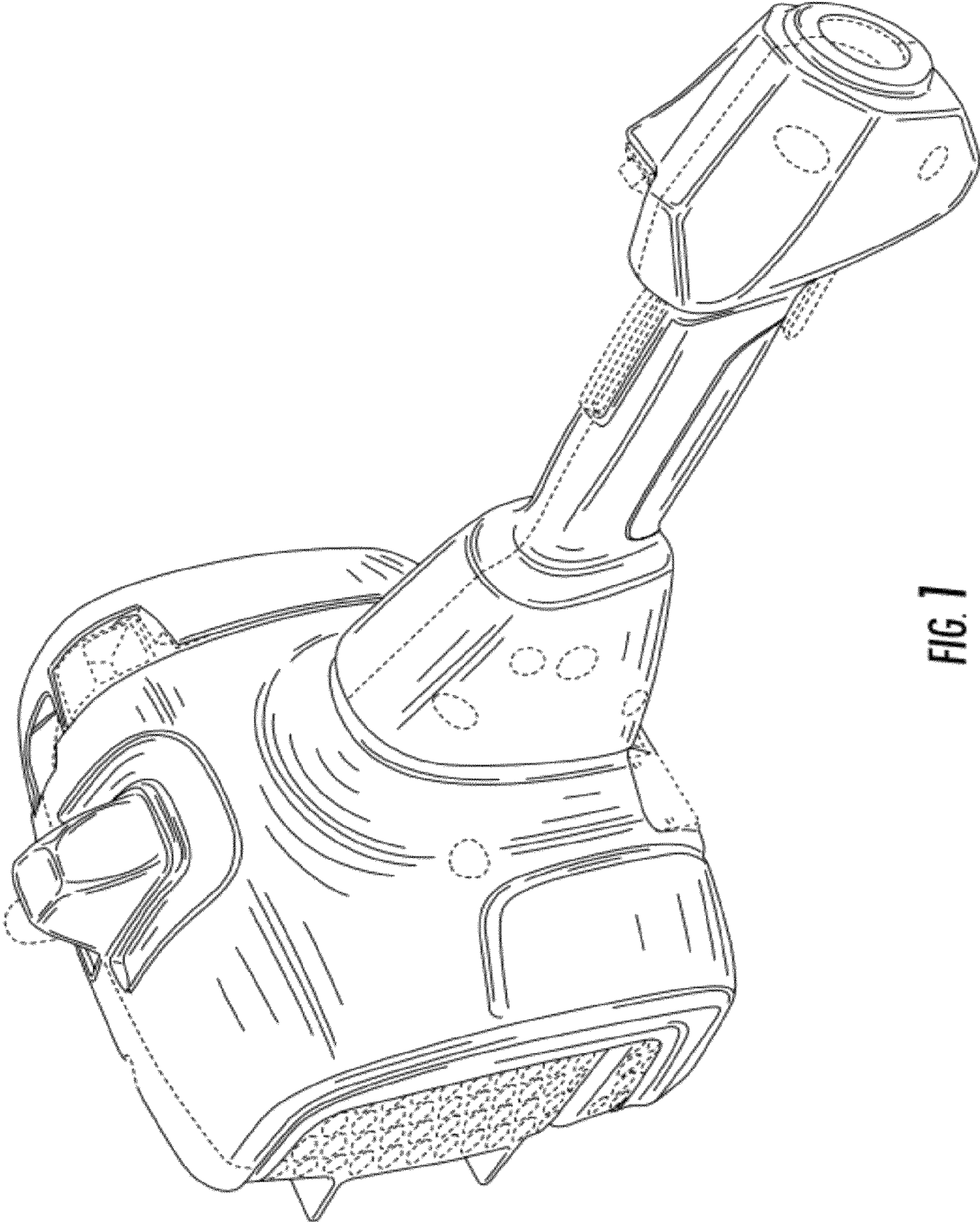


FIG. 1



FIG. 2

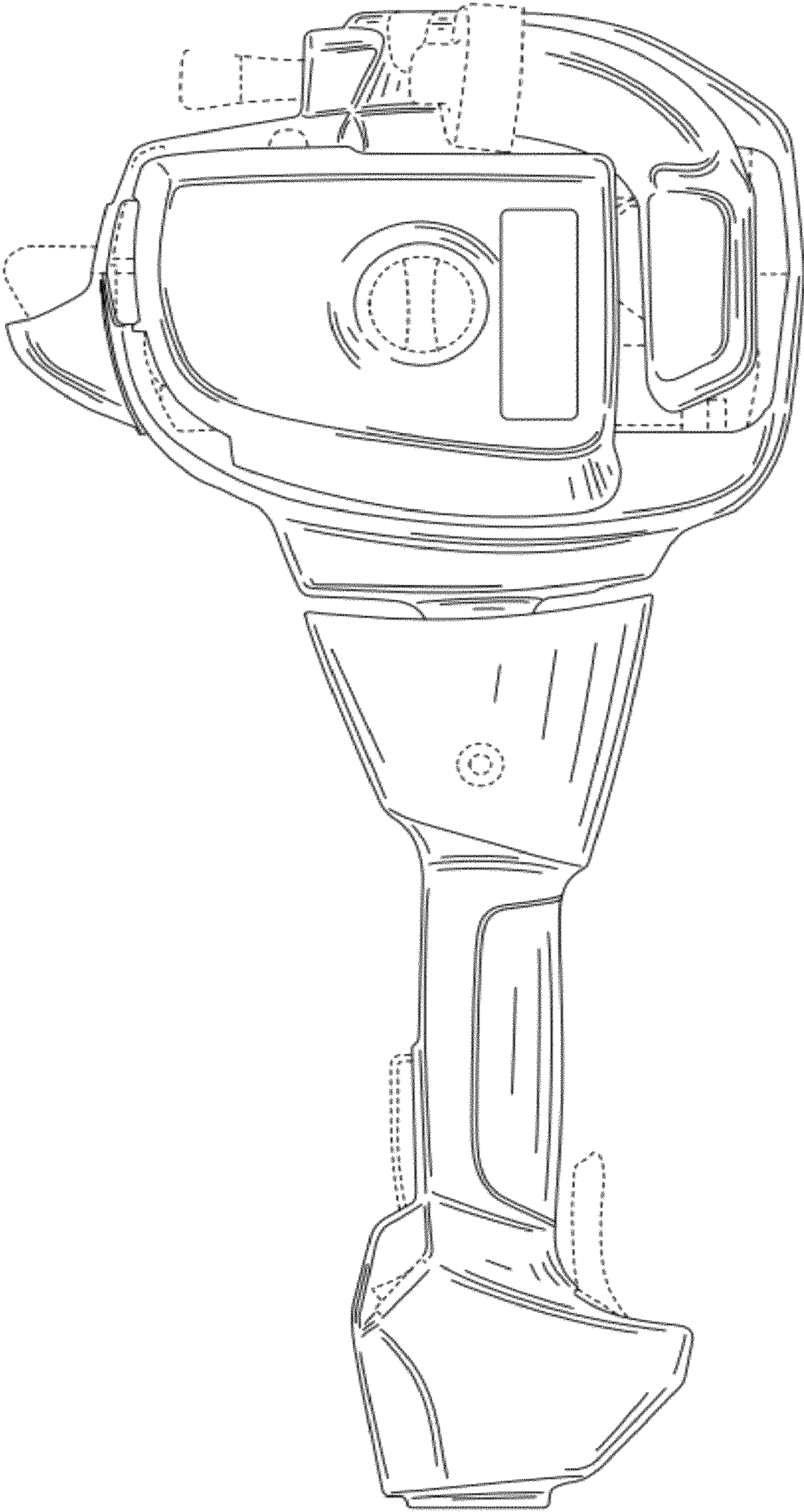


FIG. 3

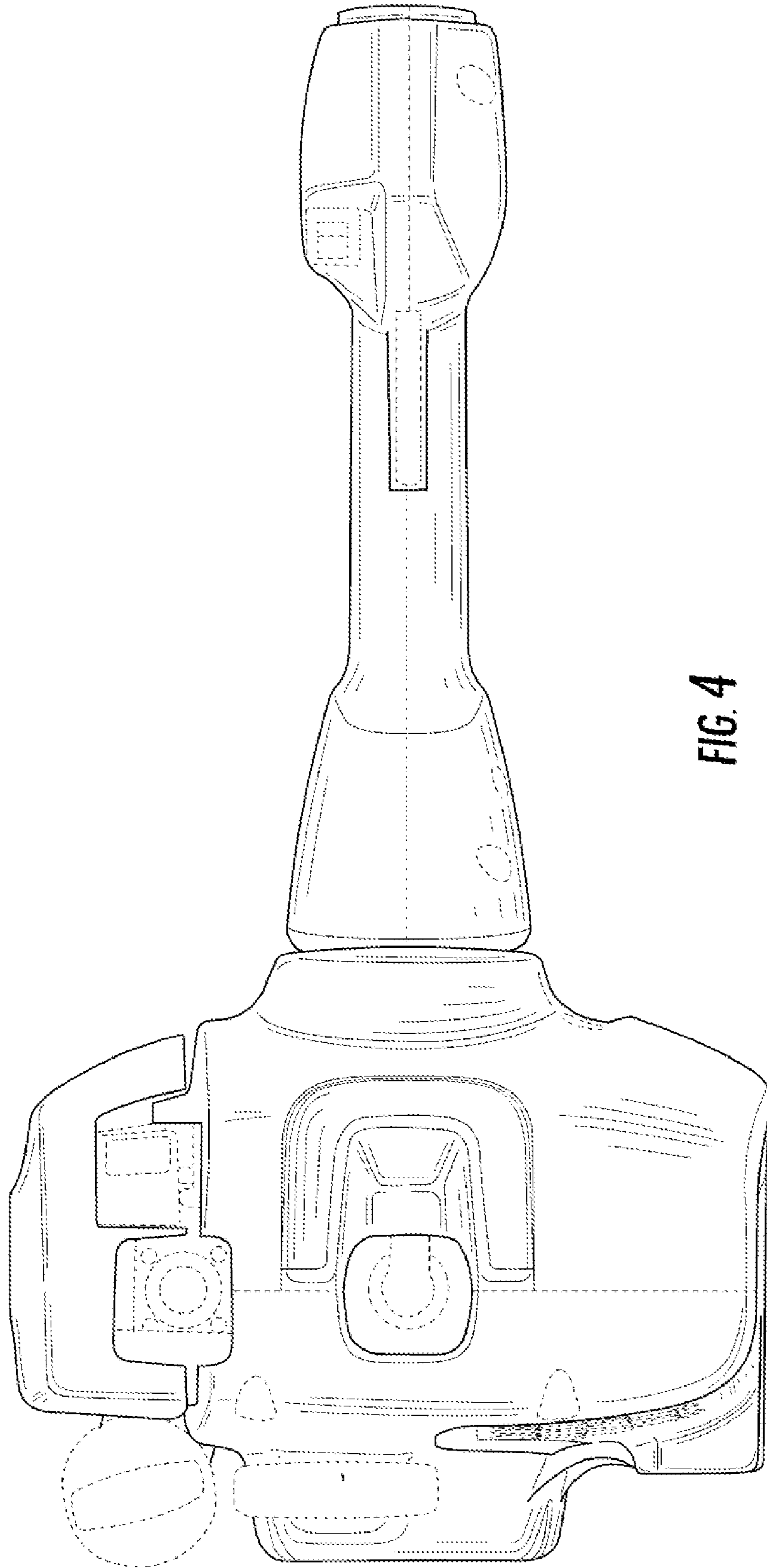


FIG. 4

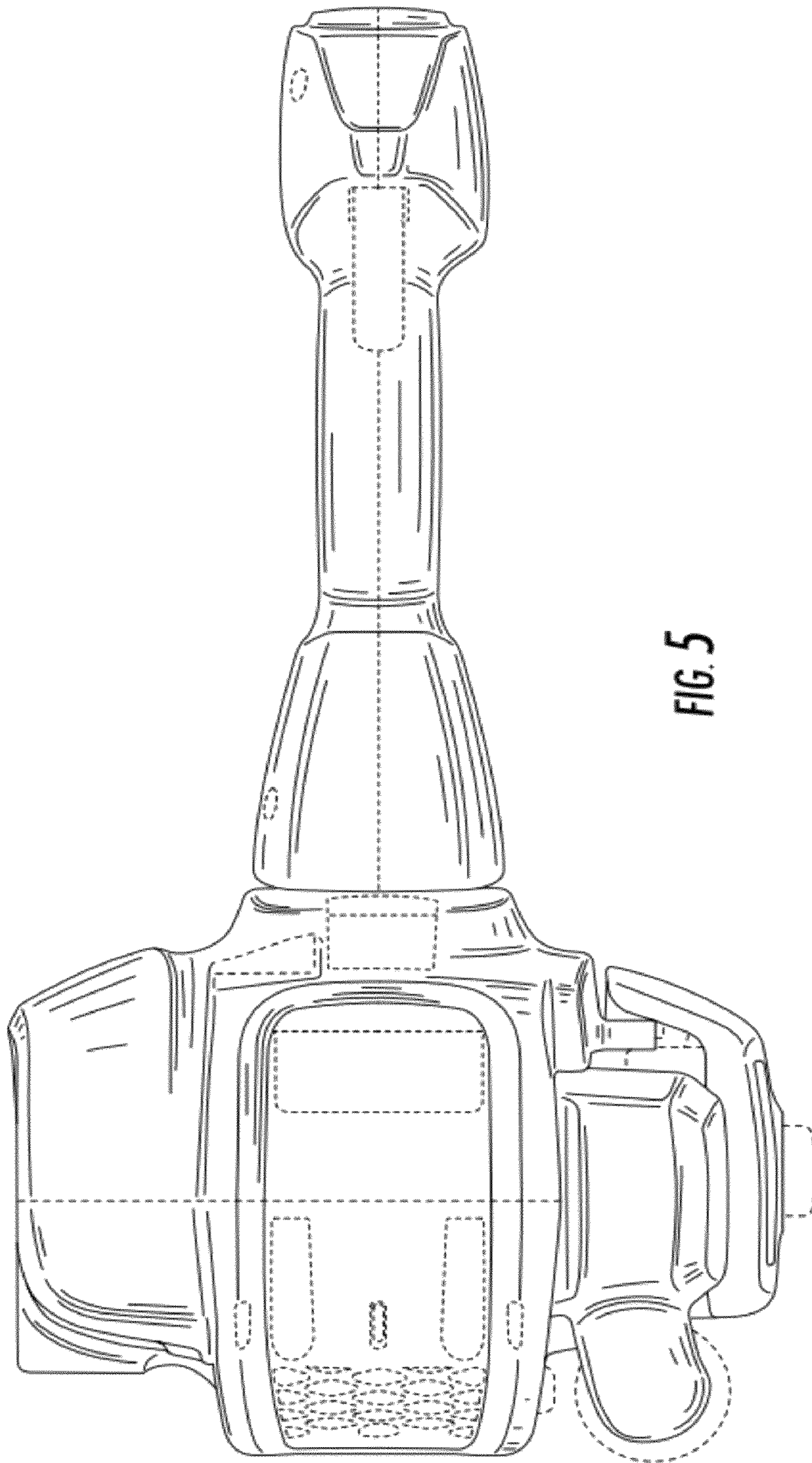


FIG. 5

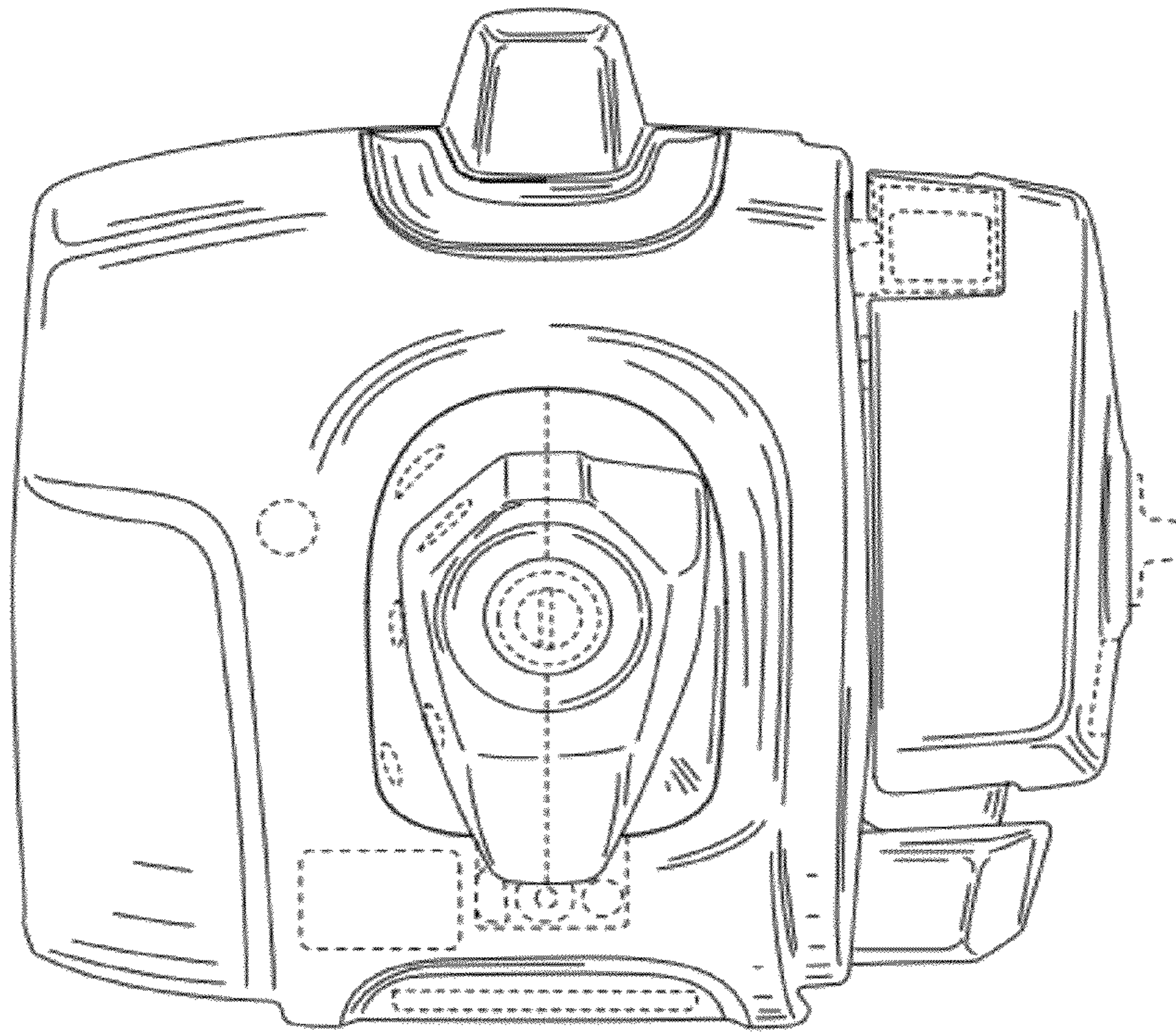


FIG. 6

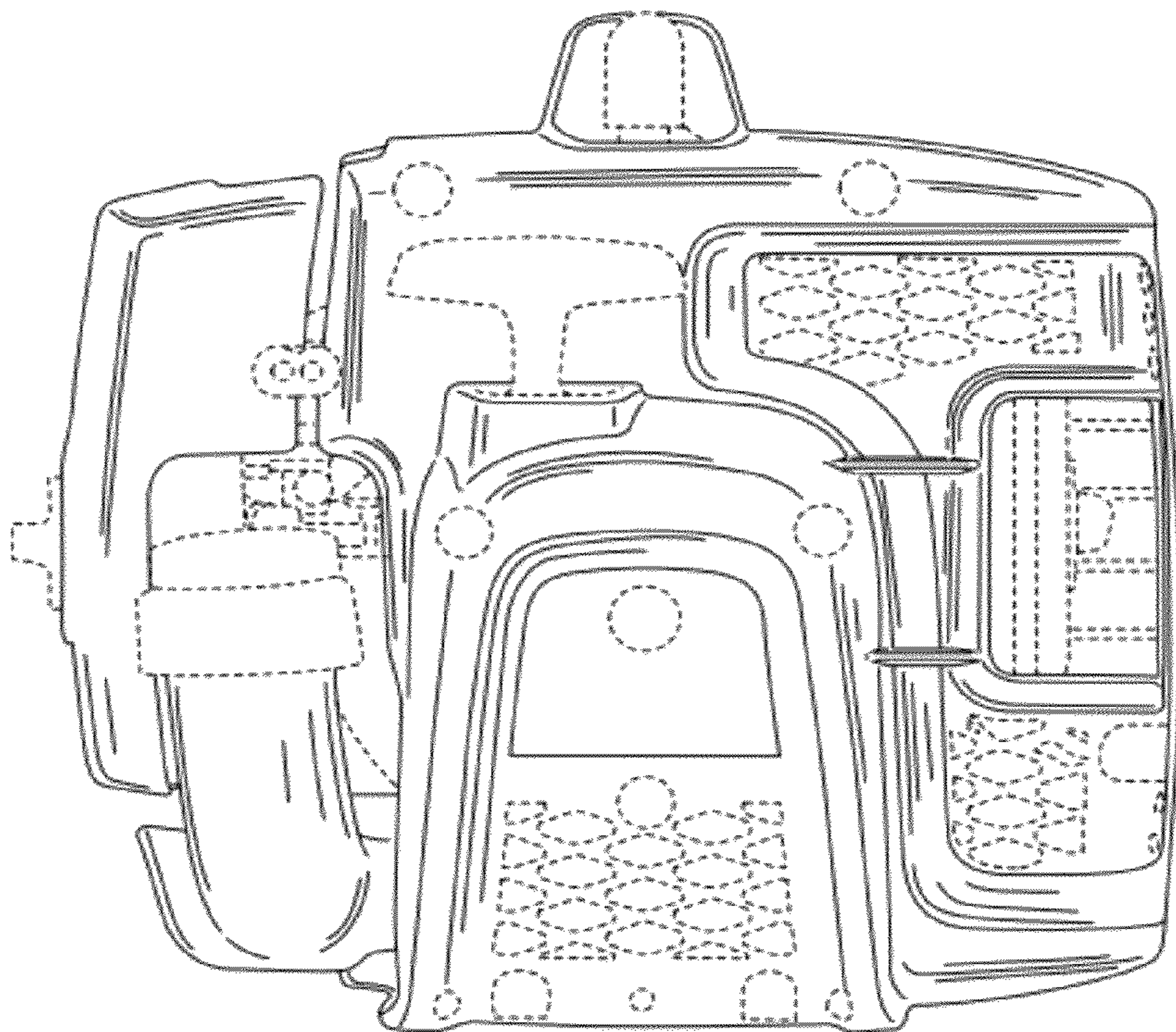


FIG. 7