



US00D662794S

(12) **United States Design Patent**
Enghard

(10) **Patent No.:** **US D662,794 S**
(45) **Date of Patent:** **** Jul. 3, 2012**

(54) **FUNNEL**

(76) Inventor: **Florian Enghard**, Sulzbach (DE)

(**) Term: **14 Years**

(21) Appl. No.: **29/398,845**

(22) Filed: **Aug. 5, 2011**

(30) **Foreign Application Priority Data**

Feb. 5, 2011 (DE) 40 2011 000 663

(51) **LOC (9) Cl.** **07-99**

(52) **U.S. Cl.** **D7/700**

(58) **Field of Classification Search** D7/700,
D7/400, 368, 543, 523, 396.2, 510, 512;
D23/200; 141/331, 332, 333, 334, 337, 340,
141/345, 297-300; 220/86.2; D10/46.2;
D14/208; D30/129, 132; D15/150; D24/122;
D9/436

See application file for complete search history.

(56) **References Cited**

U.S. PATENT DOCUMENTS

42,684 A * 5/1864 Otis 141/94
1,196,784 A * 9/1916 Jasper 141/84
D143,458 S * 1/1946 Zabel et al. D7/700
2,703,670 A * 3/1955 Voight 141/340
3,211,195 A * 10/1965 Porter 141/337
3,490,290 A * 1/1970 Bilson 73/427

D274,208 S * 6/1984 Hildenbrand D7/700
6,397,907 B1 * 6/2002 Heintz 141/338
D474,111 S * 5/2003 Lazaris D9/428
6,736,285 B2 * 5/2004 Stewart-Stand 220/666
D562,159 S * 2/2008 Griffith et al. D10/46.2
D580,799 S * 11/2008 Curtin D10/46.2
D593,383 S * 6/2009 Pallotto et al. D7/700
D635,398 S * 4/2011 Watabe D7/400
D652,745 S * 1/2012 Lee et al. D10/46.2

* cited by examiner

Primary Examiner — Jeffrey D Asch

(74) *Attorney, Agent, or Firm* — W. F. Fasse

(57) **CLAIM**

The ornamental design for a funnel, as shown and described.

DESCRIPTION

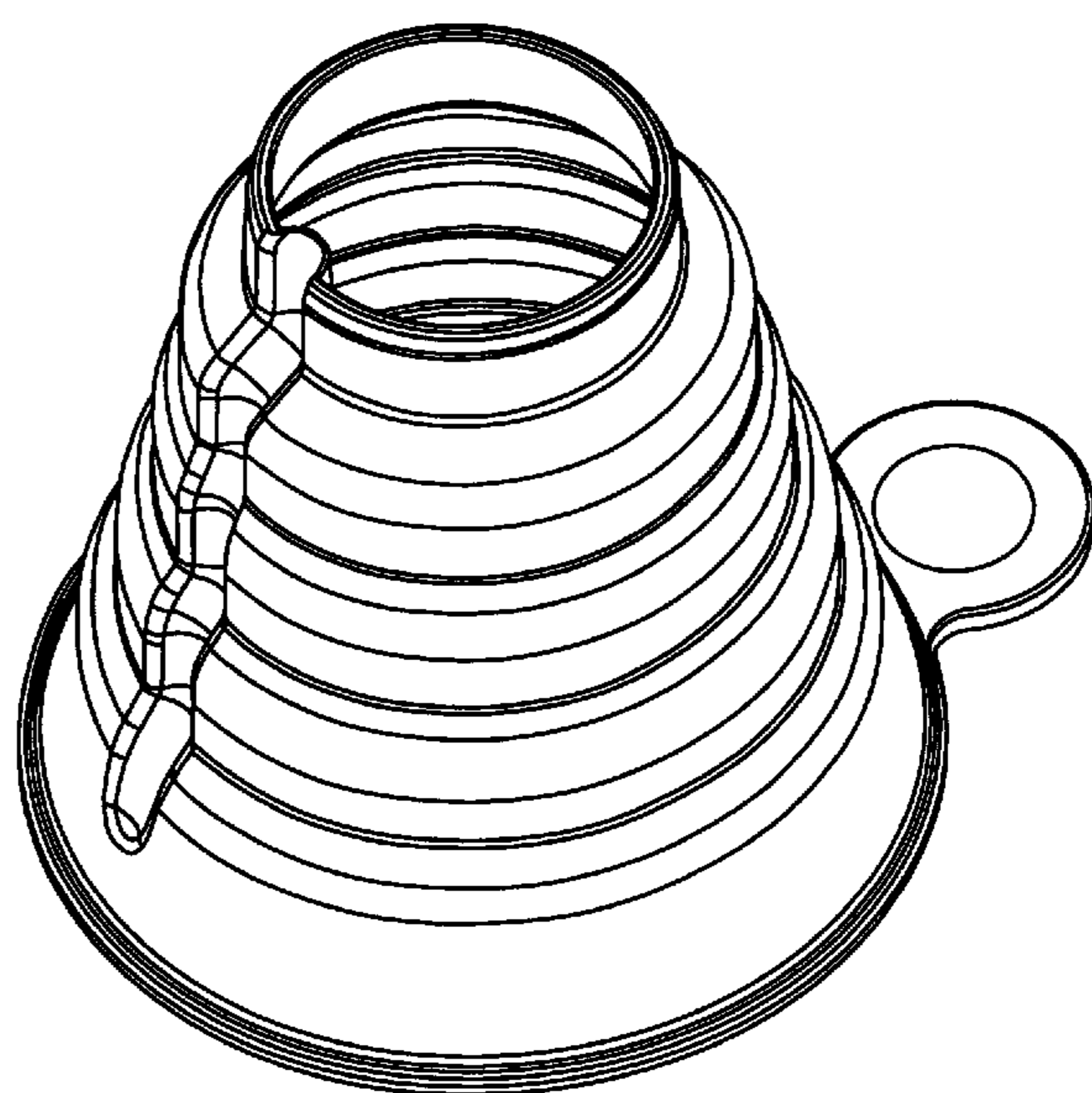
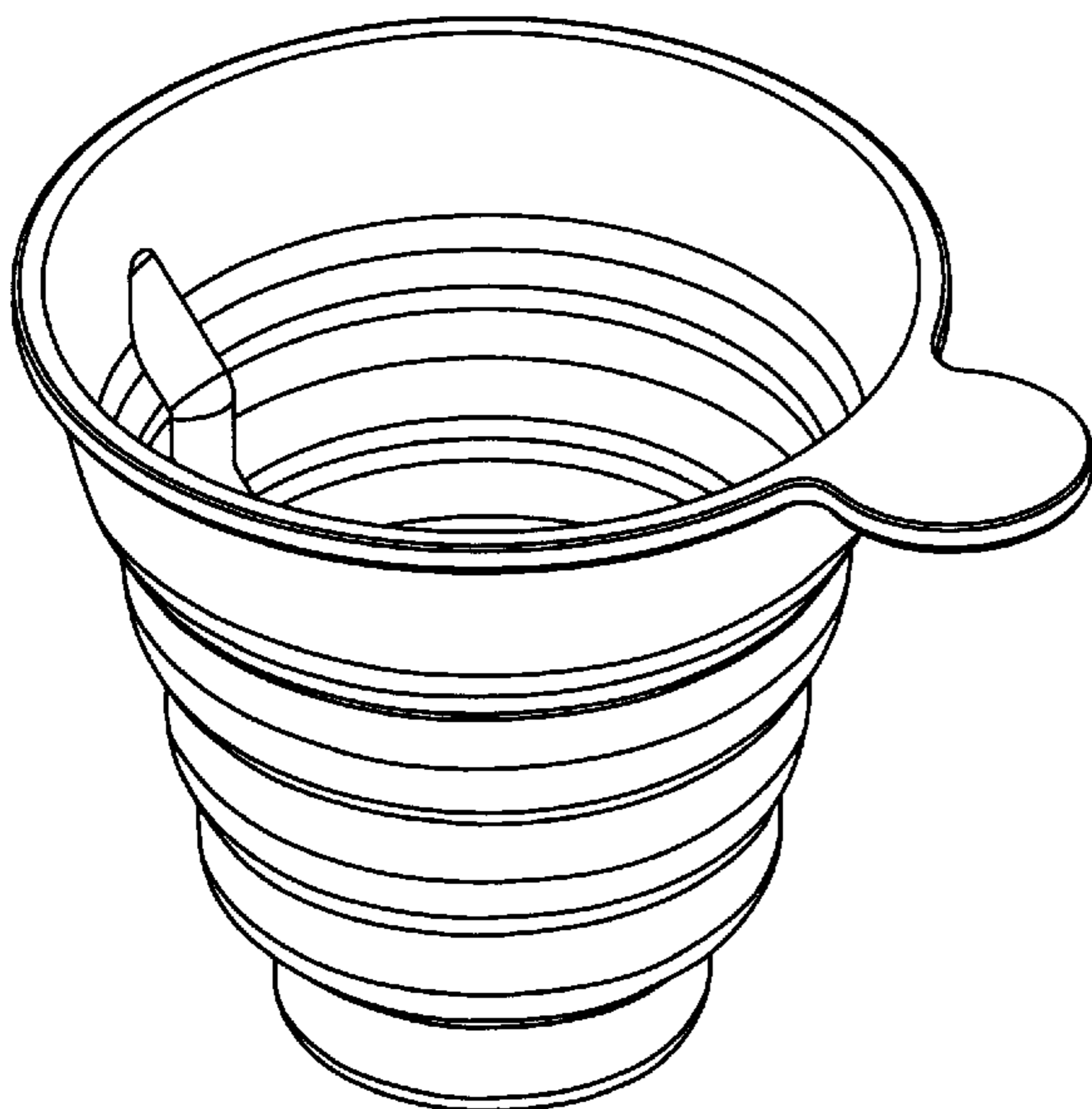
FIG. 1 is a left side elevation view of a funnel showing my new design, wherein a right side elevation view (not shown) thereof is a mirror image of the left side elevation view.

FIG. 2 is a left side sectional view along an axial section plane thereof, wherein a right side sectional view (not shown) thereof along the axial section plane is a mirror image of the left side sectional view.

FIG. 3 is a top left front perspective view thereof, wherein a top right front perspective view (not shown) thereof is a mirror image of the top left front perspective view; and,

FIG. 4 is a bottom right rear perspective view thereof, wherein a bottom left rear perspective view (not shown) thereof is a mirror image of the bottom right rear perspective view.

1 Claim, 2 Drawing Sheets



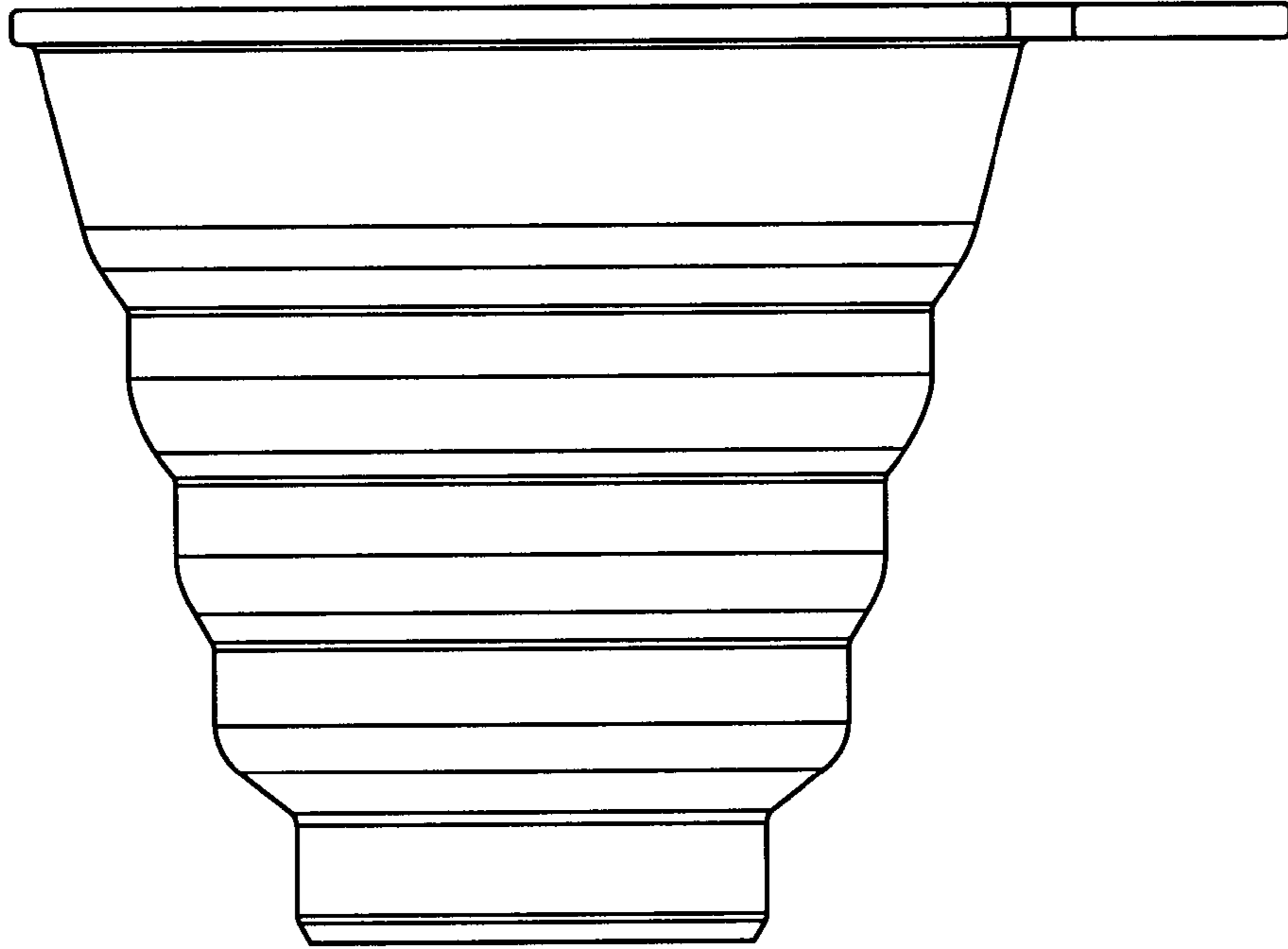


FIG. 1

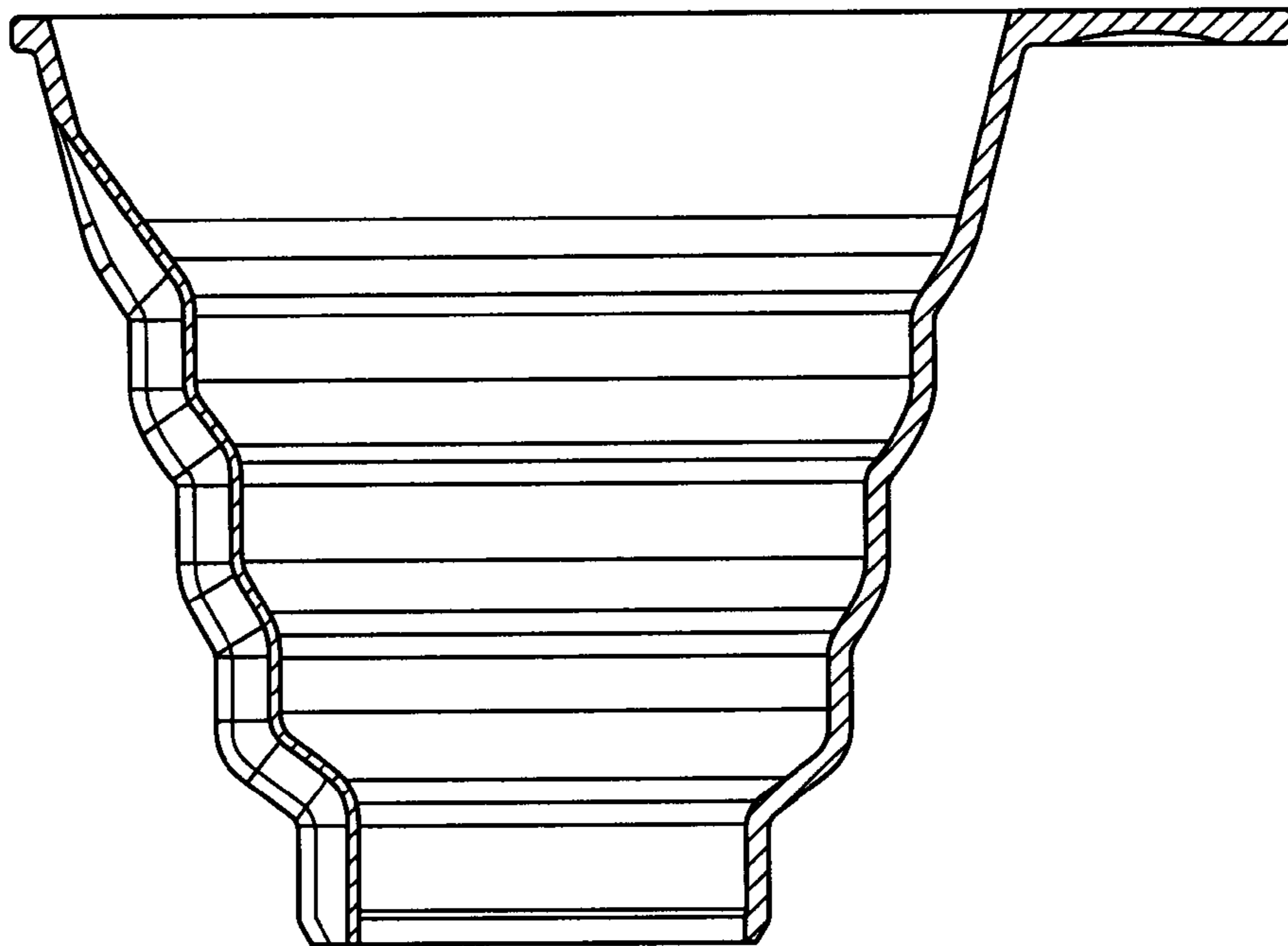


FIG. 2

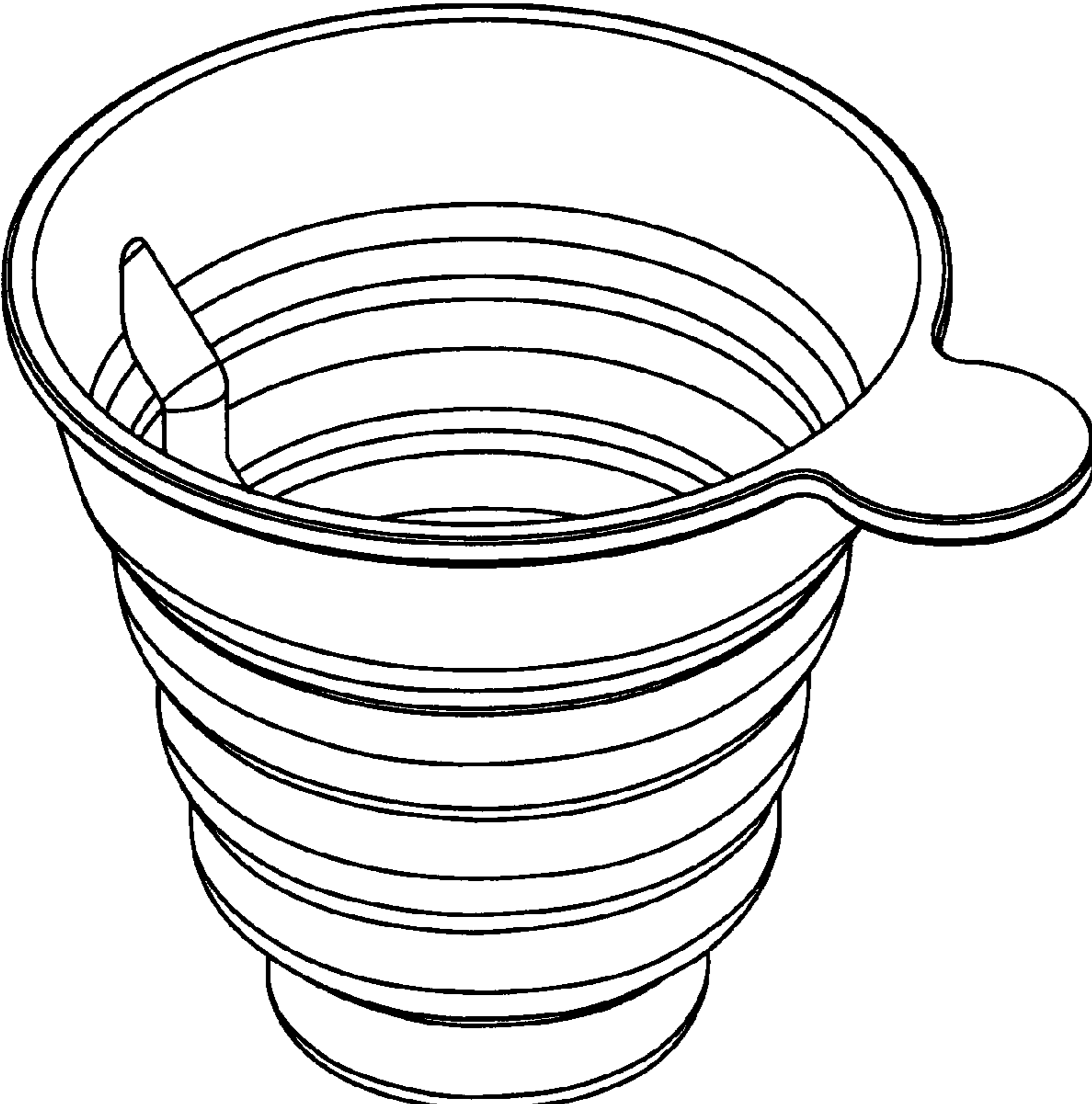


FIG. 3

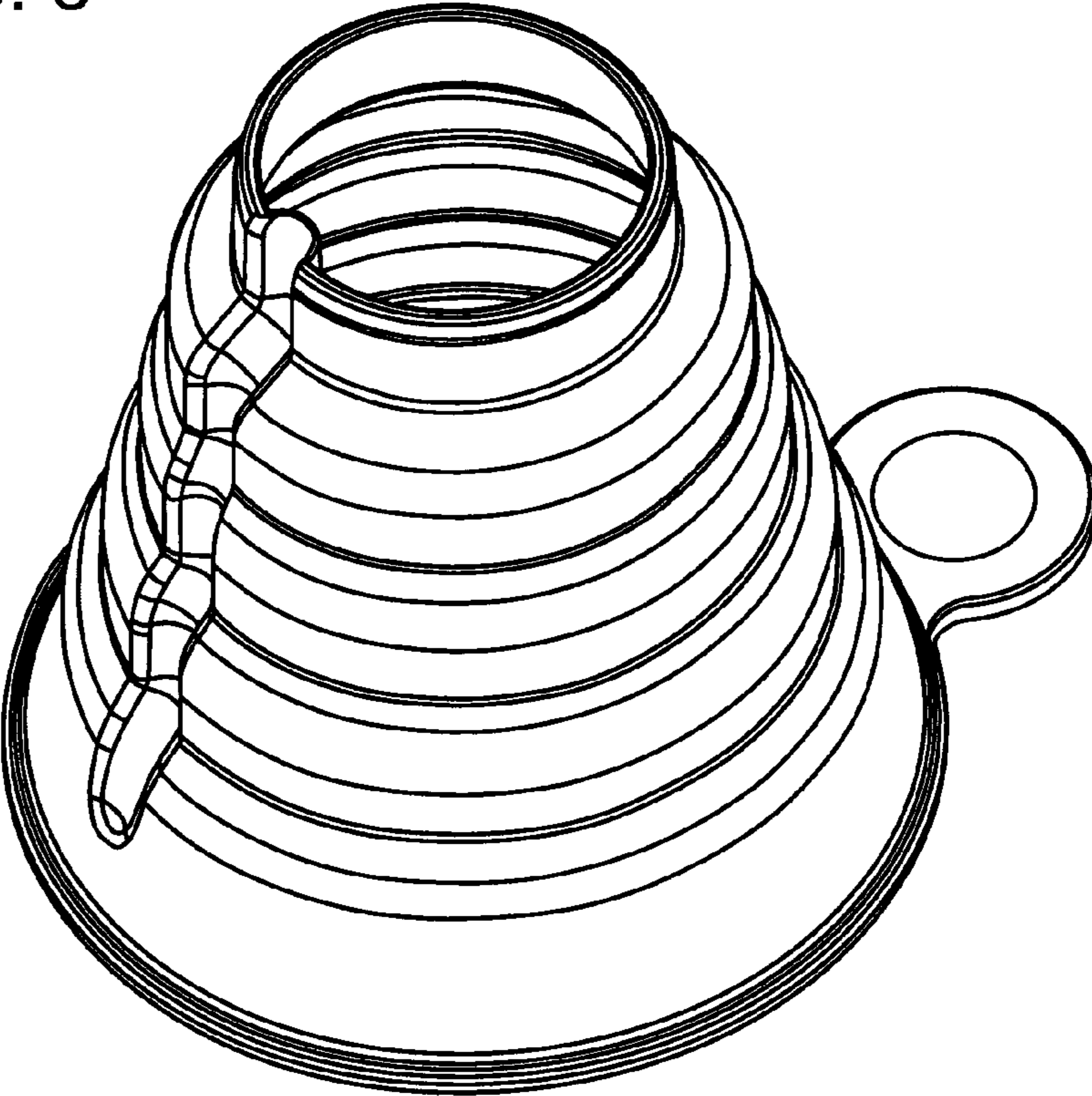


FIG. 4