



US00D662790S

(12) **United States Design Patent**  
**Rugprayoon et al.**

(10) **Patent No.:** **US D662,790 S**  
(45) **Date of Patent:** **\*\* Jul. 3, 2012**

(54) **JELLIED CRANBERRY SLICER**  
(76) Inventors: **Christina Rugprayoon**, Covina, CA  
(US); **Gonzalo Cordova**, Covina, CA  
(US)  
(\*\*) Term: **14 Years**  
(21) Appl. No.: **29/383,690**  
(22) Filed: **Jan. 20, 2011**  
(51) **LOC (9) Cl.** ..... **07-04**  
(52) **U.S. Cl.** ..... **D7/674**  
(58) **Field of Classification Search** ..... D7/672-674,  
D7/677, 693, 381, 385, 665, 666, 412; 30/303,  
30/304, 114, 116; 99/537, 538; 83/466.1,  
83/651.1, 597, 932, 599; 241/167, 169.2,  
241/168, 169.1, 95  
See application file for complete search history.

D297,798 S 9/1988 Leung  
5,749,145 A 5/1998 Baukloh  
D400,065 S \* 10/1998 Fohrman ..... D7/673  
D406,990 S \* 3/1999 Ocampo ..... D7/674  
D446,690 S 8/2001 Meyer  
D447,018 S 8/2001 Meyer  
D505,302 S \* 5/2005 Veltrop et al. .... D7/673  
D510,507 S \* 10/2005 Lo ..... D7/673  
7,249,550 B1 \* 7/2007 Thune, Jr. .... 83/599  
7,322,112 B2 1/2008 Boerner  
7,730,818 B1 \* 6/2010 Kannegieter ..... 83/597  
D635,409 S \* 4/2011 Coffey ..... D7/674  
2005/0150117 A1 7/2005 Walzak et al.  
2005/0199115 A1 \* 9/2005 Veltrop et al. .... 83/599  
2007/0022611 A1 \* 2/2007 Verbiest ..... 30/114  
2010/0031830 A1 2/2010 Engdahl et al.

\* cited by examiner

Primary Examiner — Jeffrey D Asch

(57) **CLAIM**  
The ornamental design for a jellied cranberry slicer, as shown  
and described.

(56) **References Cited**

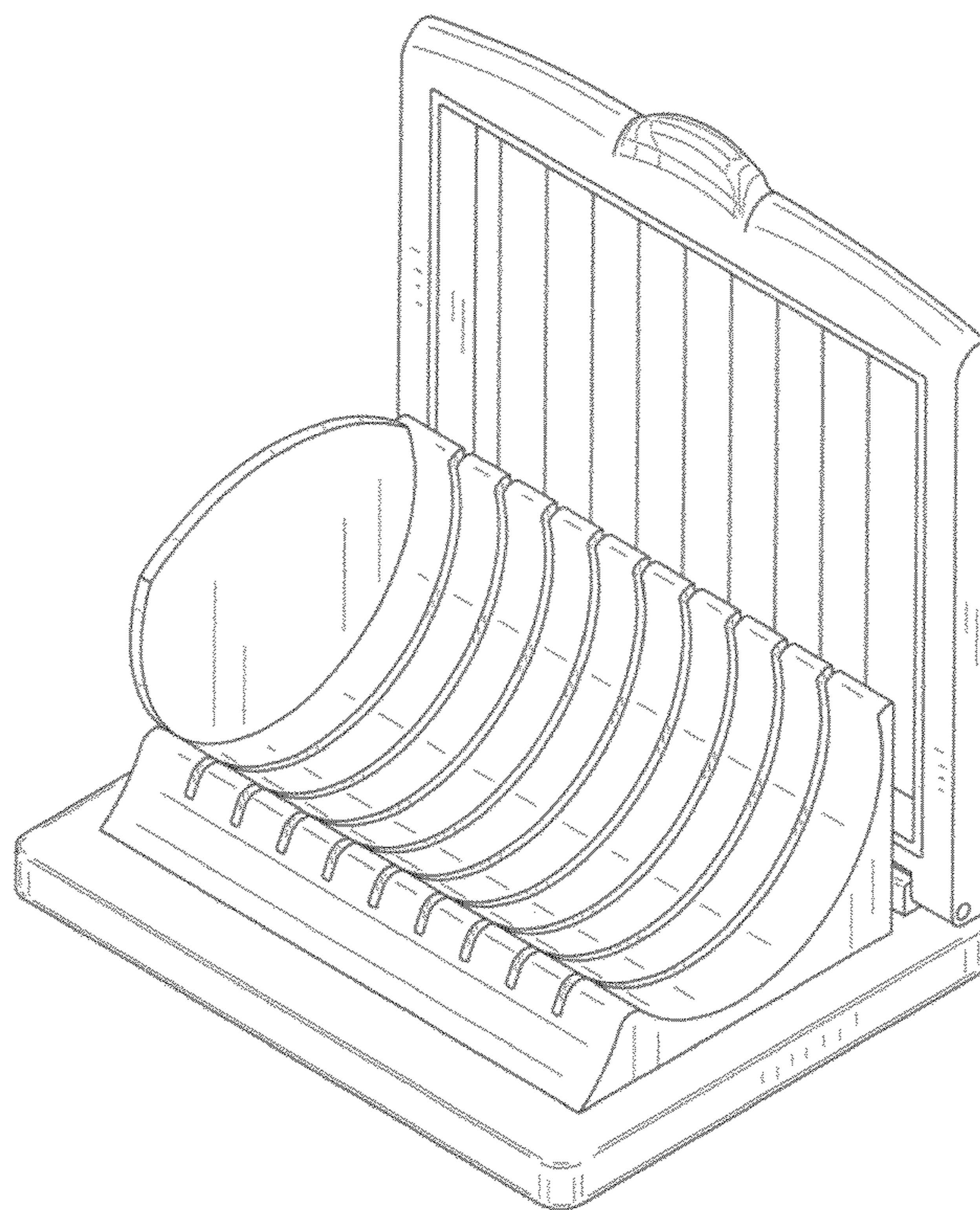
**U.S. PATENT DOCUMENTS**

1,043,472 A \* 11/1912 Shaw ..... 83/165  
1,183,472 A \* 5/1916 Lewandowski ..... 83/607  
2,475,824 A 7/1949 Devine  
D164,693 S \* 10/1951 Koons ..... D7/673  
2,592,657 A \* 4/1952 Cierley ..... 83/543  
3,222,723 A \* 12/1965 Boggild et al. .... 425/410  
3,277,574 A 10/1966 Giasi  
D207,378 S \* 4/1967 Levin ..... D7/693  
3,561,511 A \* 2/1971 Kummer ..... 83/597  
4,383,365 A \* 5/1983 Metzgian ..... 30/114  
4,516,458 A 5/1985 Pomerantz et al.  
4,599,928 A \* 7/1986 Oker ..... 83/581.1

**DESCRIPTION**

FIG. 1 is a perspective view of a jellied cranberry slicer  
showing our new design;  
FIG. 2 is a front view thereof;  
FIG. 3 is a back view thereof;  
FIG. 4 is a side view thereof;  
FIG. 5 is an opposite side view thereof;  
FIG. 6 is a top view thereof; and,  
FIG. 7 is a bottom view thereof.

**1 Claim, 5 Drawing Sheets**



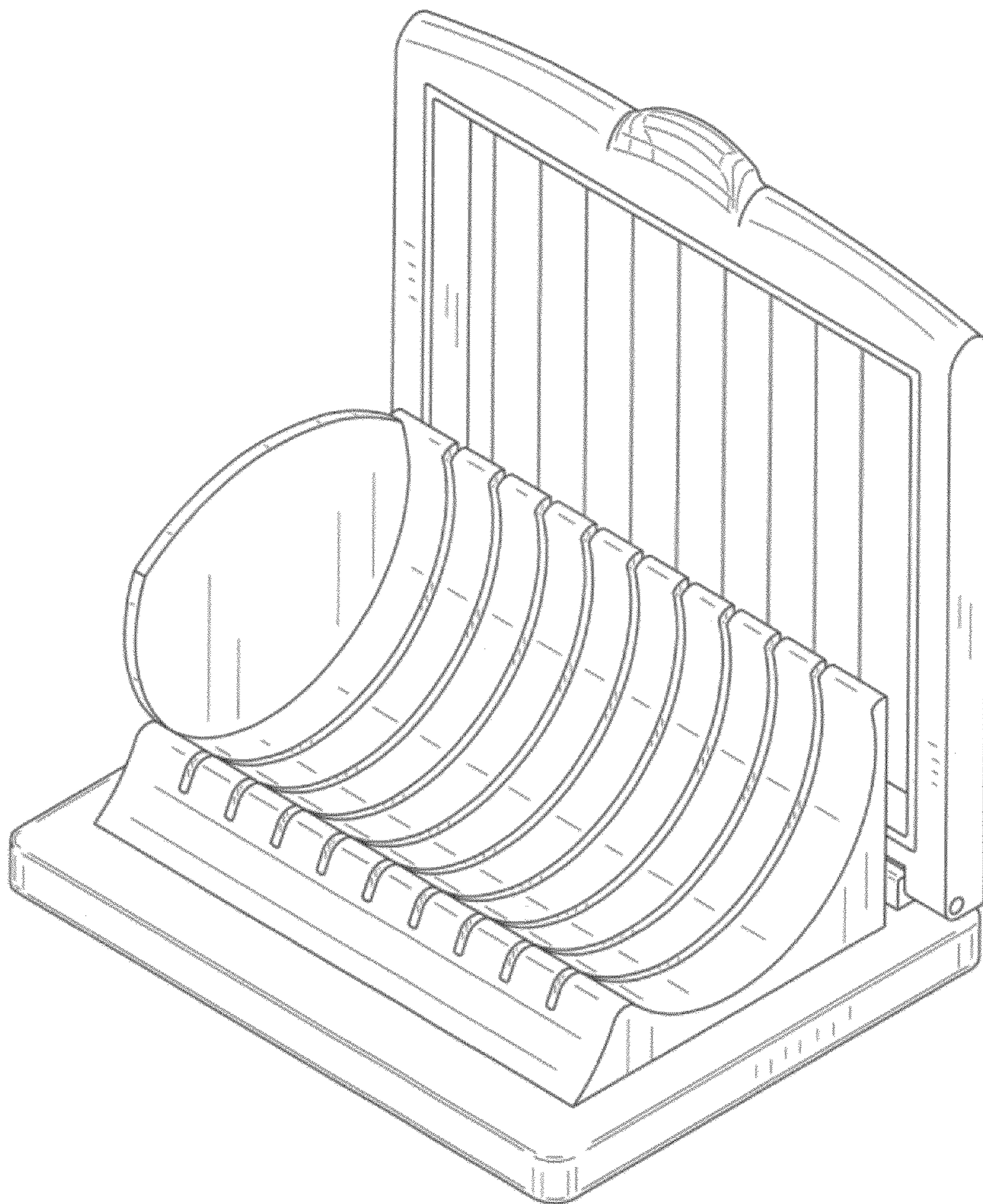


FIG. 1

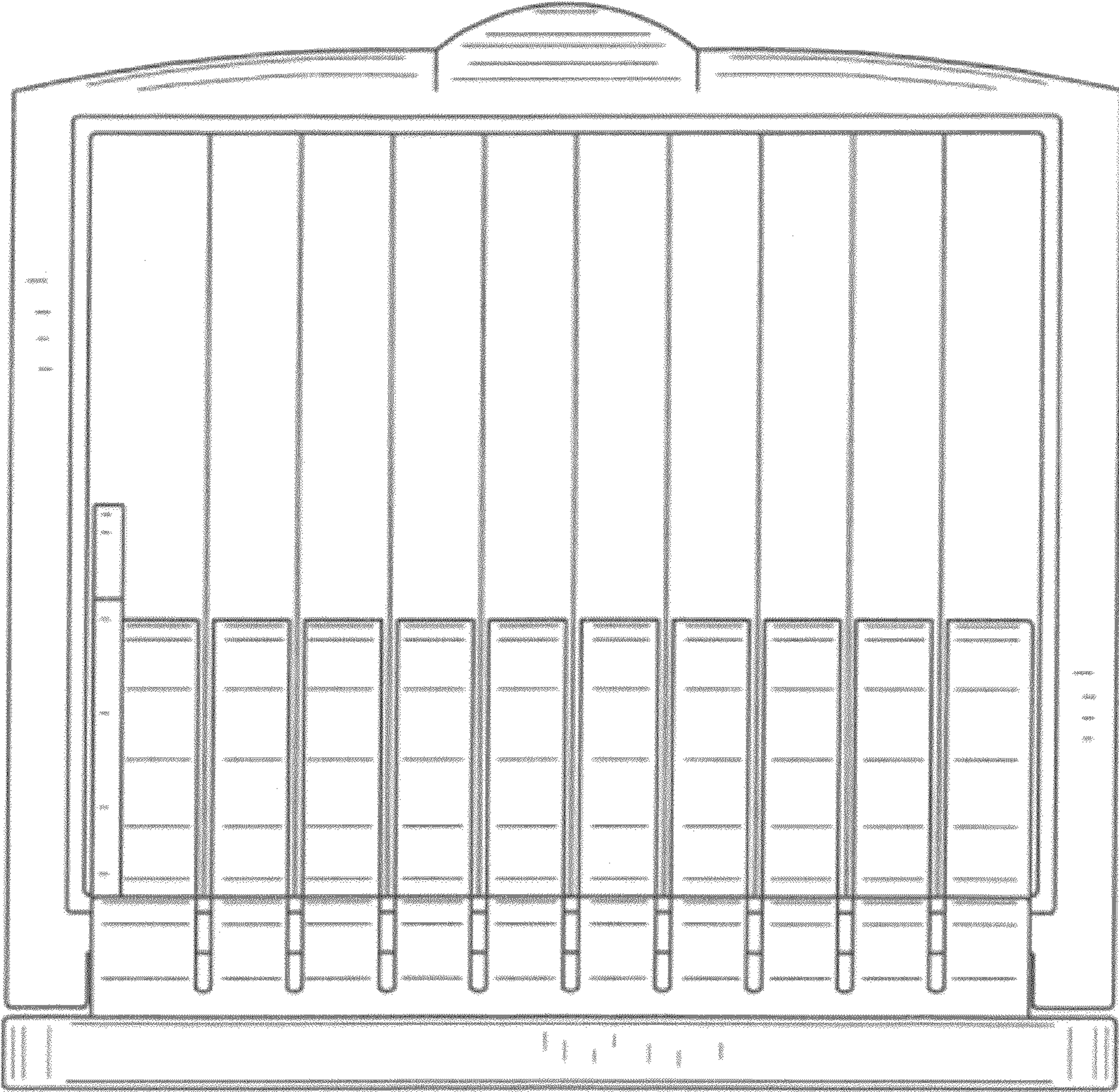


FIG. 2

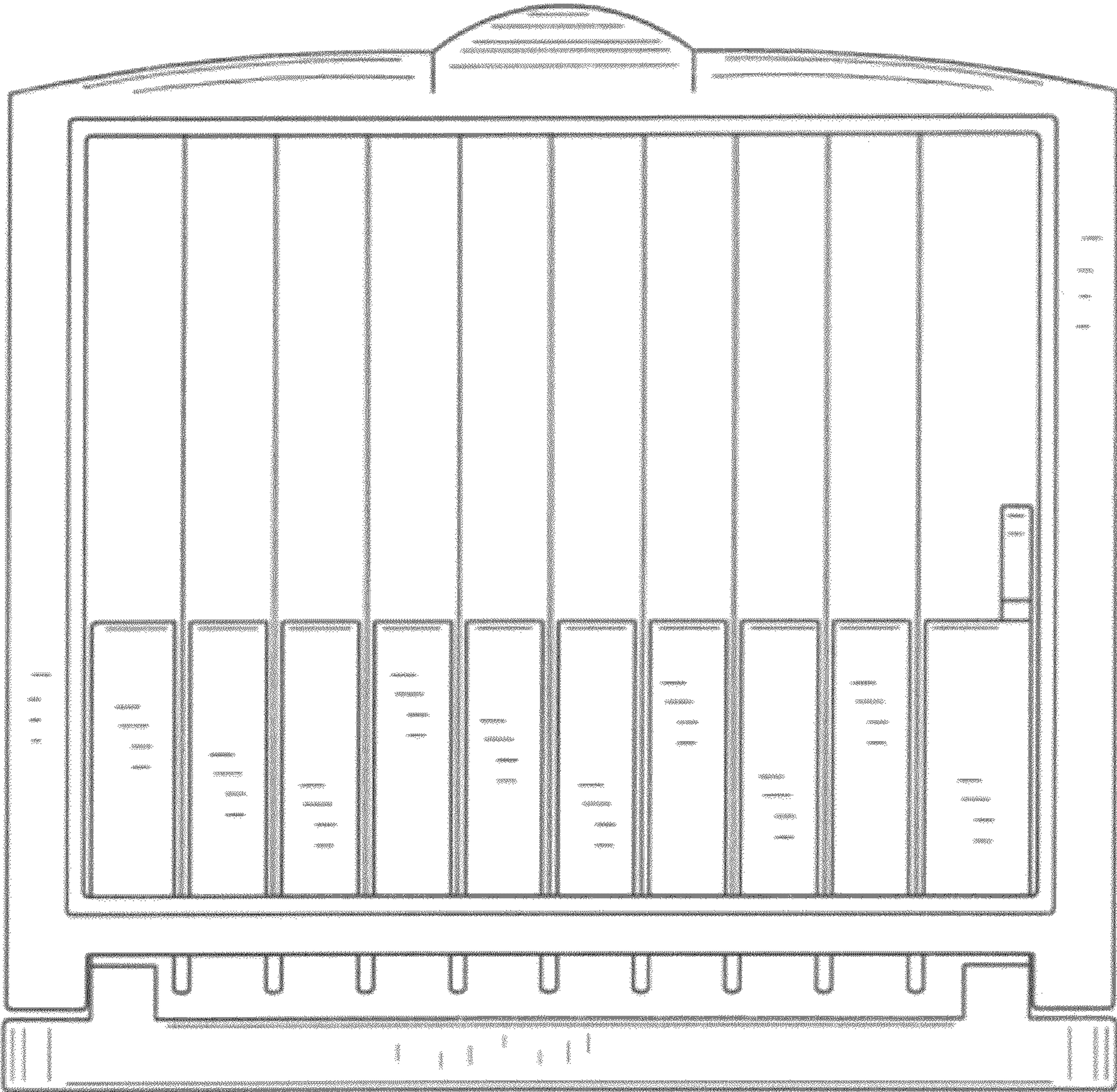


FIG. 3



FIG. 4

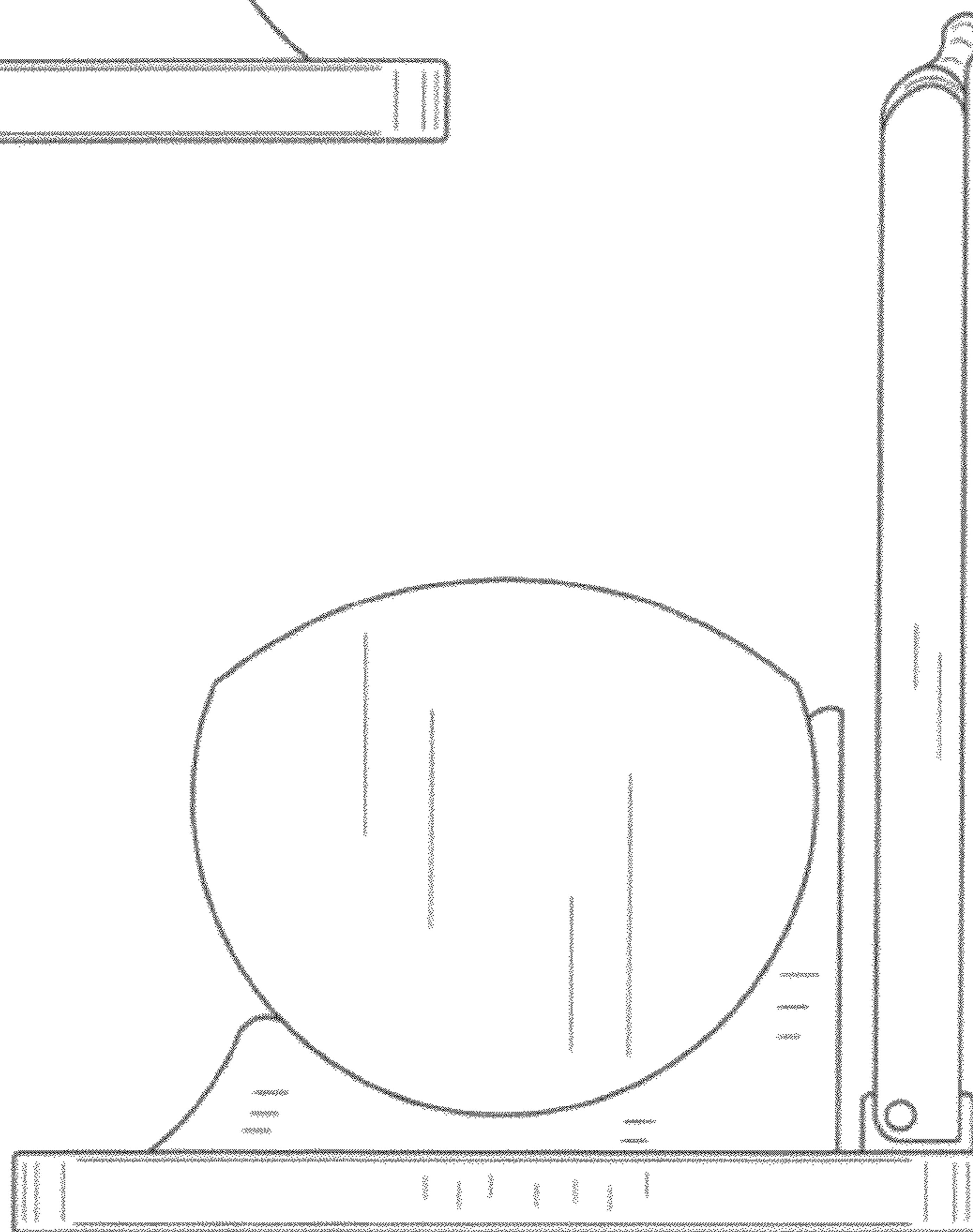


FIG. 5

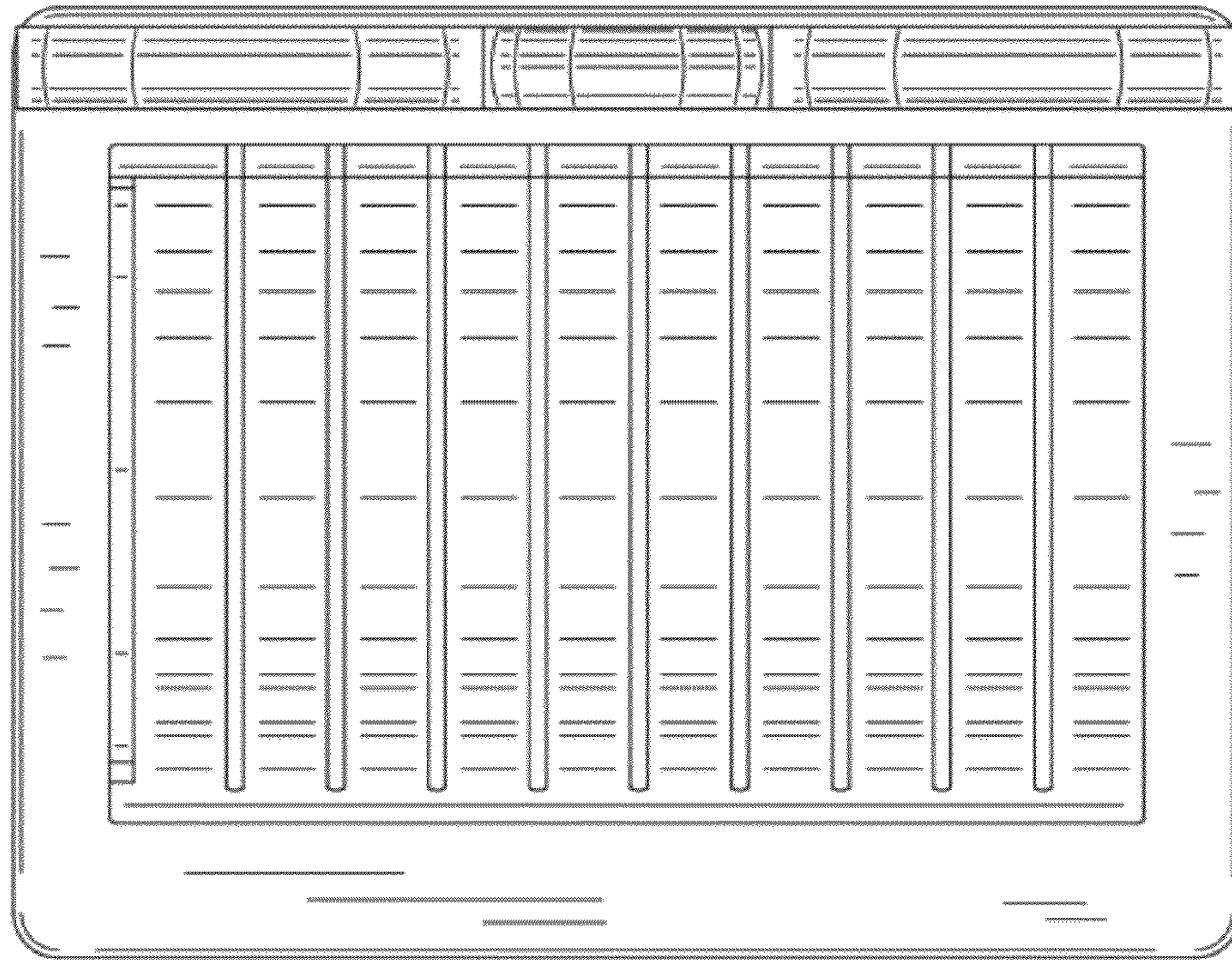


FIG. 6

FIG. 7

