



US00D662784S

(12) **United States Design Patent**  
**Fleck**

(10) **Patent No.:** **US D662,784 S**

(45) **Date of Patent:** **\*\* Jul. 3, 2012**

(54) **BEVERAGE INSULATOR WITH COMMUNICATIONS INDICIA**

(76) Inventor: **John Fleck**, Cave Creek, AZ (US)

(\*\*) Term: **14 Years**

(21) Appl. No.: **29/374,839**

(22) Filed: **Oct. 14, 2011**

(51) **LOC (9) Cl.** ..... **07-01**

(52) **U.S. Cl.** ..... **D7/607**

(58) **Field of Classification Search** ..... D7/619.1–625,  
D7/605–607, 313; 224/101, 148.1, 148.4;  
62/457.1–457.9, 529, 530; 220/737, 738,  
220/758, 759, 752, 473, 710.5, 694, 902,  
220/903, 592.17, 592.25; 294/156, 143,  
294/159, 165, 31.2, 27.1, 32, 33; 229/110,  
229/156, 117.06, 103.11, 5.81, 100, 117.19,  
229/117.13, 400, 402, 403

See application file for complete search history.

(56) **References Cited**

U.S. PATENT DOCUMENTS

3,353,729	A *	11/1967	Hull	294/156
4,736,885	A *	4/1988	Negus, Sr.	229/110
4,746,028	A *	5/1988	Bagg	220/739
D314,120	S *	1/1991	Rankin	D7/605
D334,869	S *	4/1993	Mills	D7/605
5,205,473	A	4/1993	Coffin, Sr.	
5,222,656	A *	6/1993	Carlson	229/403
5,425,497	A	6/1995	Sorensen	
5,445,315	A *	8/1995	Shelby	229/117.06
D408,226	S *	4/1999	Hollinger	D7/622
D411,079	S *	6/1999	Graham	D7/624.2
D519,313	S *	4/2006	Ringuet	D7/313
D543,790	S *	6/2007	Szymanski	D7/607

\* cited by examiner

Primary Examiner — Terry Wallace

(74) *Attorney, Agent, or Firm* — The Halvorson Law Firm

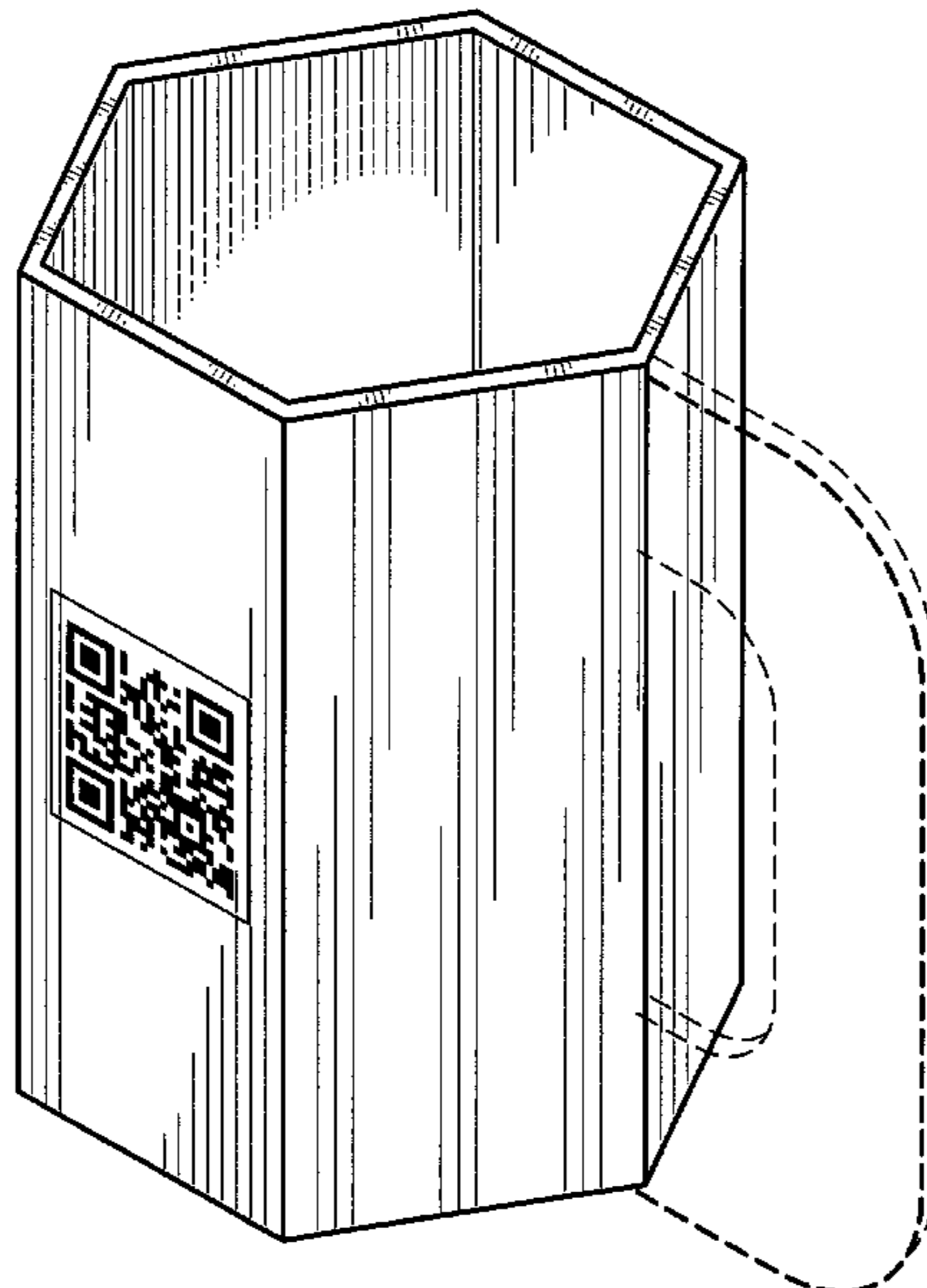
(57) **CLAIM**

The ornamental design for a beverage insulator with communications indicia, as shown and described.

**DESCRIPTION**

FIG. 1 is a perspective view of a first embodiment of the beverage insulator;  
 FIG. 2 is a second perspective view of the first embodiment of the beverage insulator;  
 FIG. 3 is a top view of the first embodiment of the beverage insulator;  
 FIG. 4 is a side view of the first embodiment of the beverage insulator;  
 FIG. 5 is a bottom view of the first embodiment of the beverage insulator;  
 FIG. 6 is a second side view of the first embodiment of the beverage insulator;  
 FIG. 7 is a perspective view of a second embodiment of the beverage insulator;  
 FIG. 8 is a perspective view of a third embodiment of the beverage insulator (the views not shown for this Figure are not being claimed);  
 FIG. 9 is a perspective view of a fourth embodiment of the beverage insulator (the views not shown for this Figure are not being claimed);  
 FIG. 10 is a top view of the fourth embodiment of the beverage insulator;  
 FIG. 11 is a side view of the fourth embodiment of the beverage insulator;  
 FIG. 12 is a bottom view of the fourth embodiment of the beverage insulator; and,  
 FIG. 13 is a second side view of the fourth embodiment of the beverage insulator.  
 The broken lines are for illustrative purposes only an form no part of the claimed design.

**1 Claim, 9 Drawing Sheets**



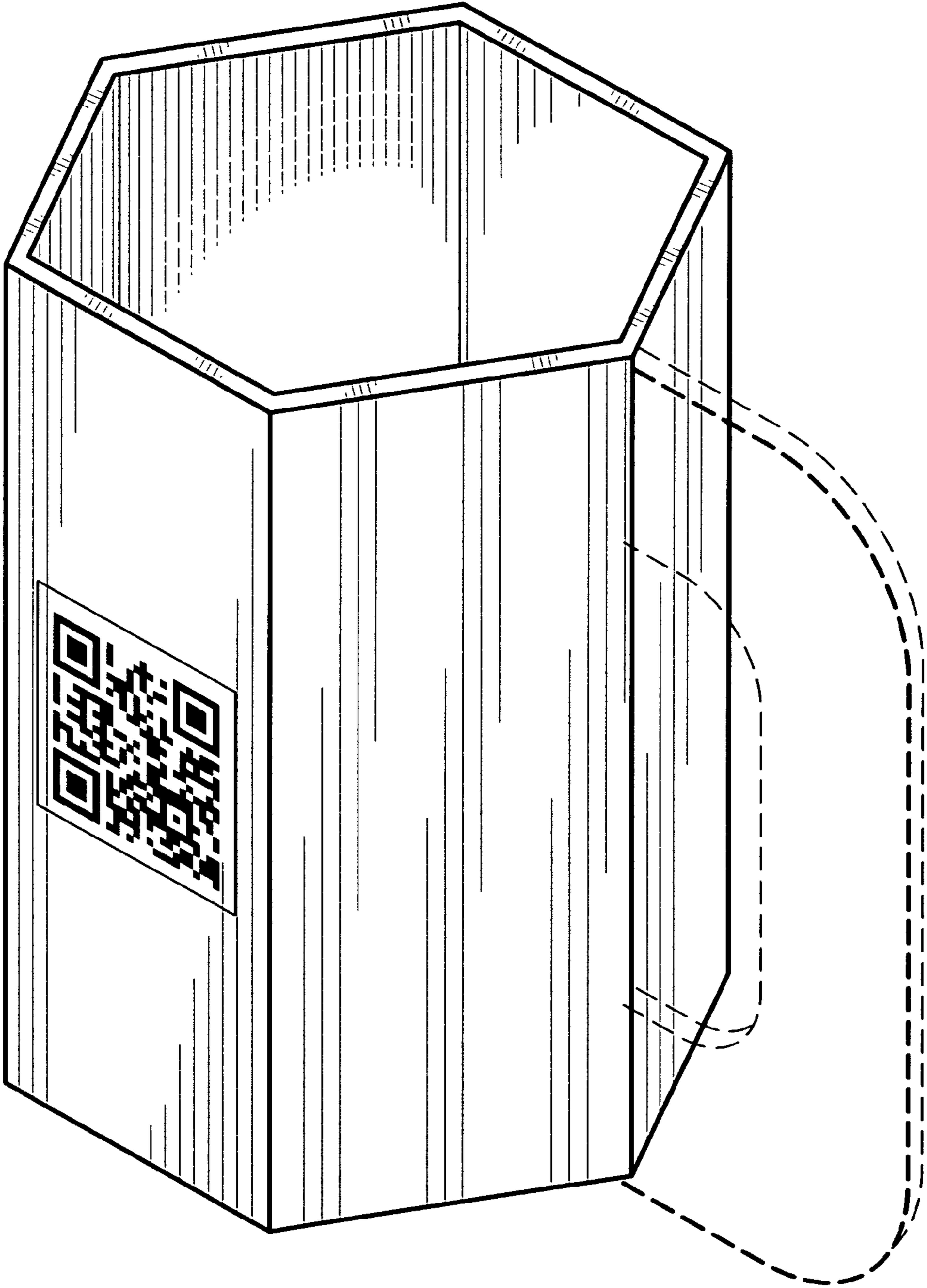


Fig. 1

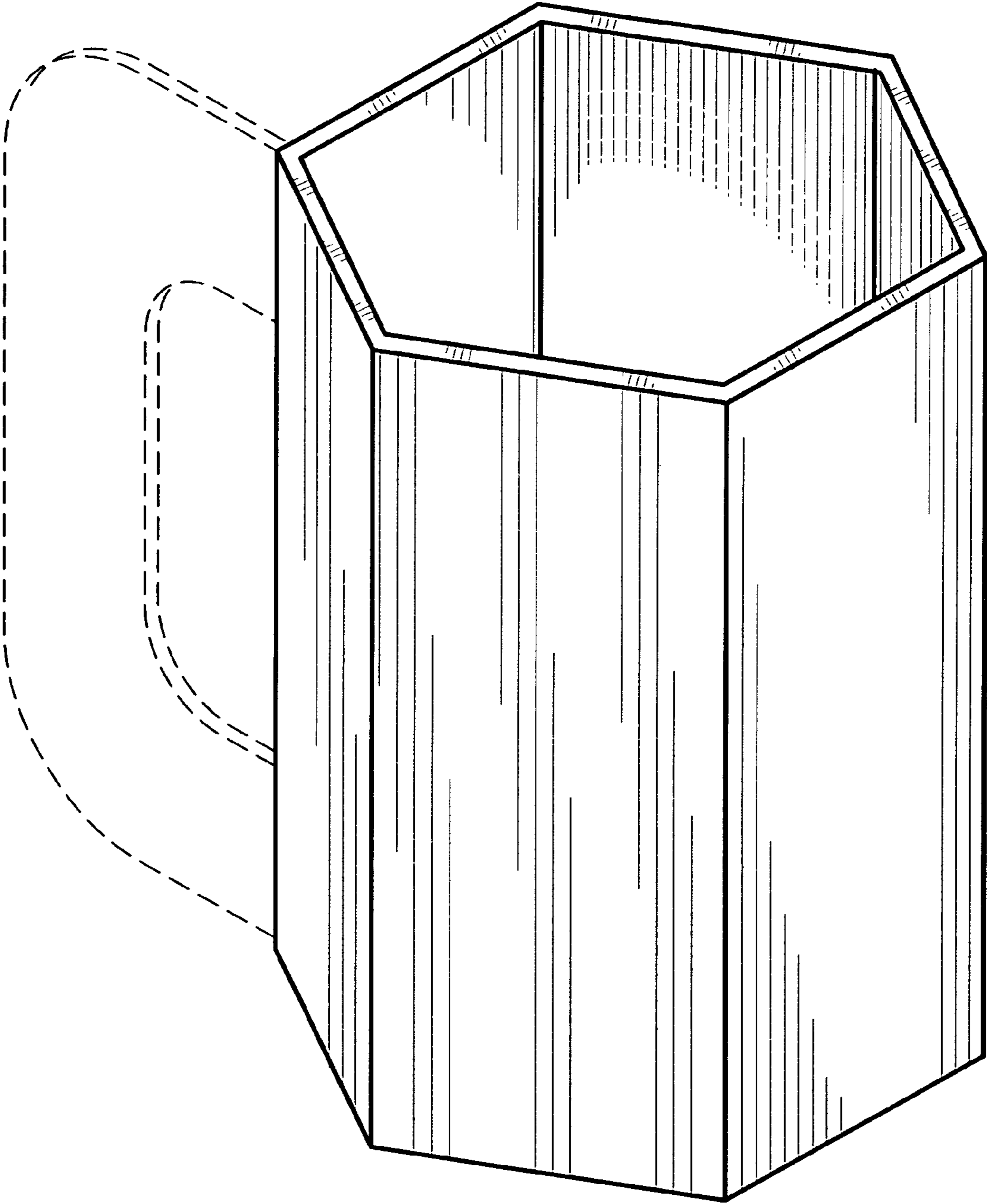


Fig. 2

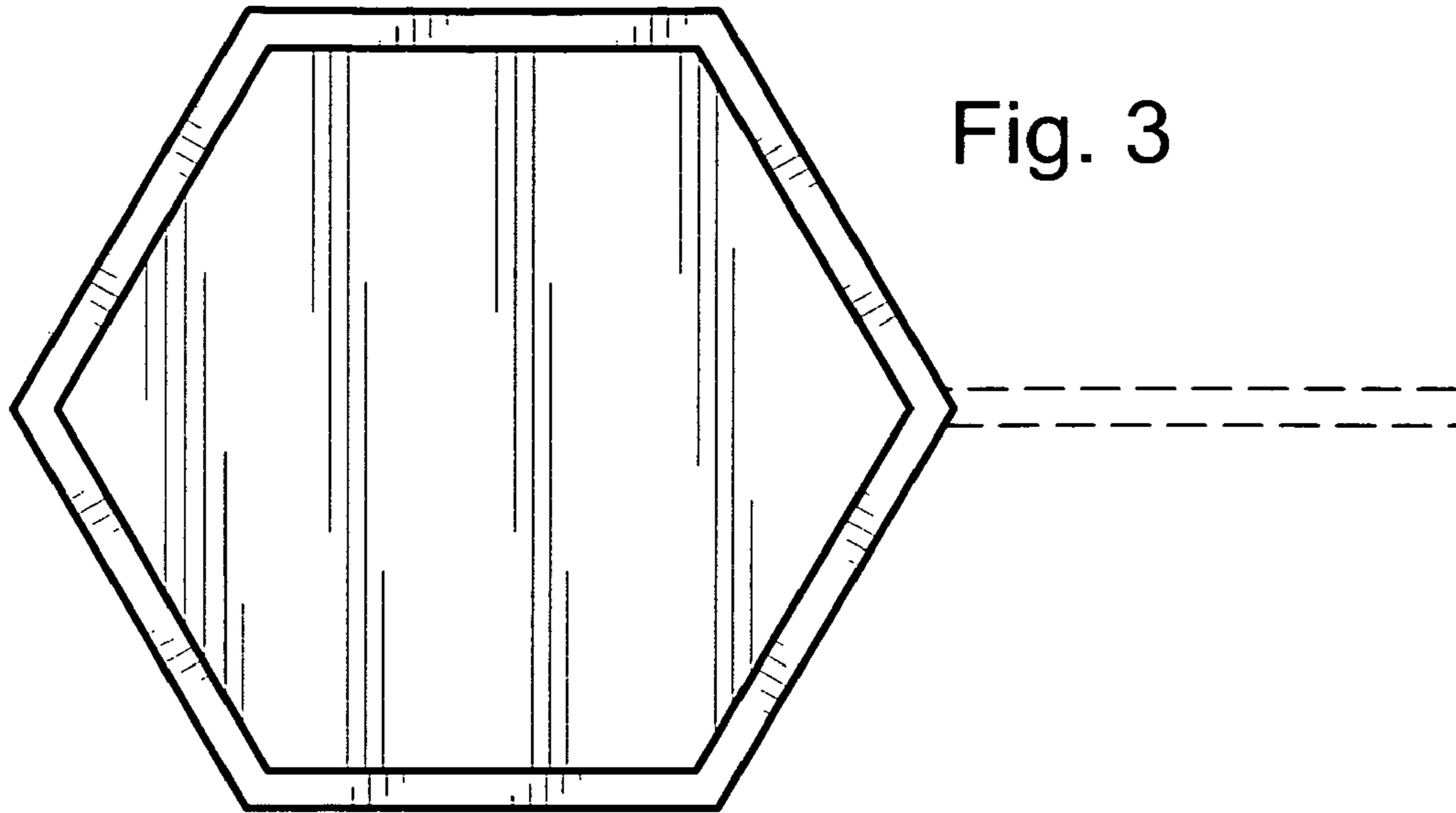


Fig. 3

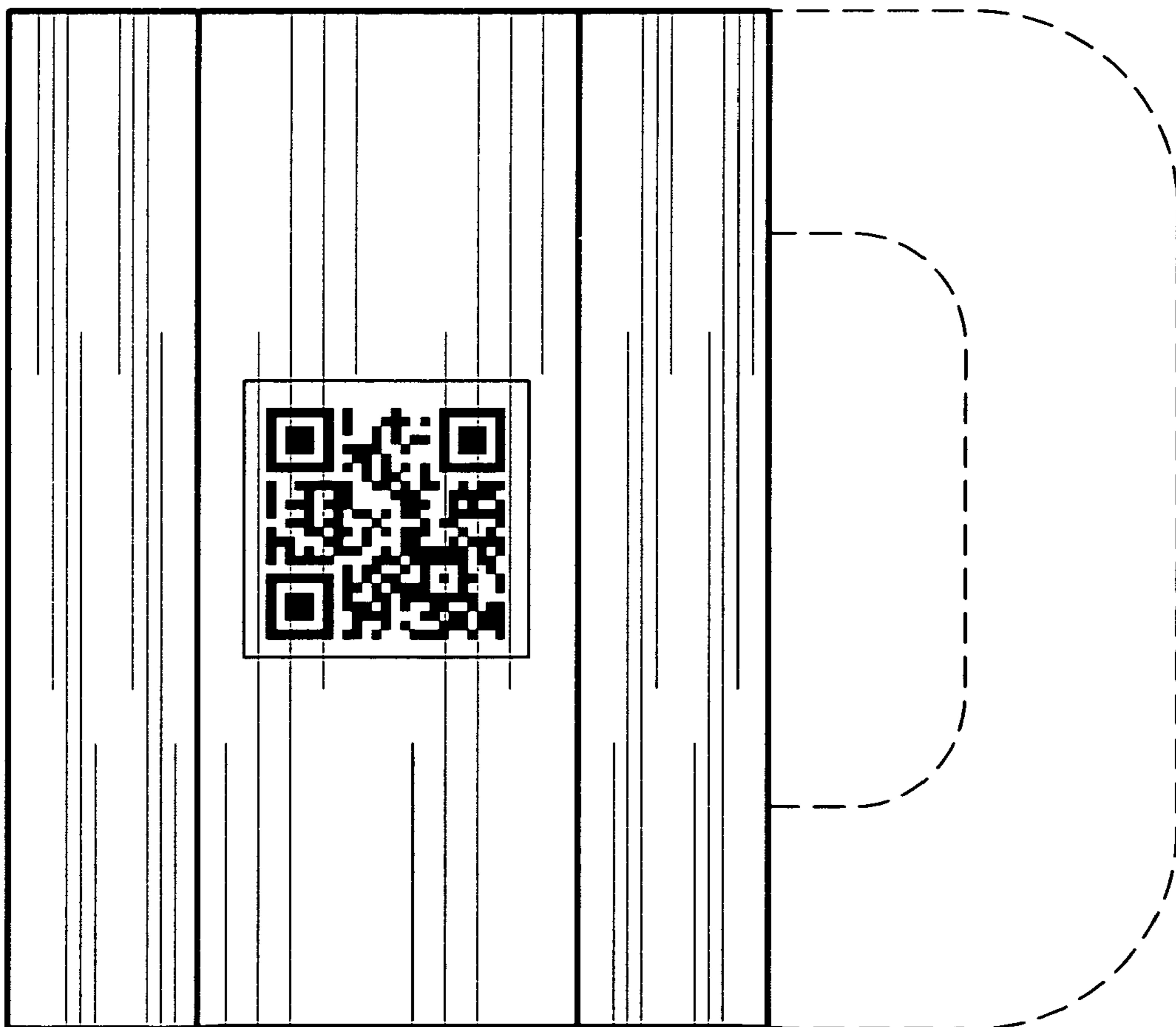


Fig. 4

Fig. 5

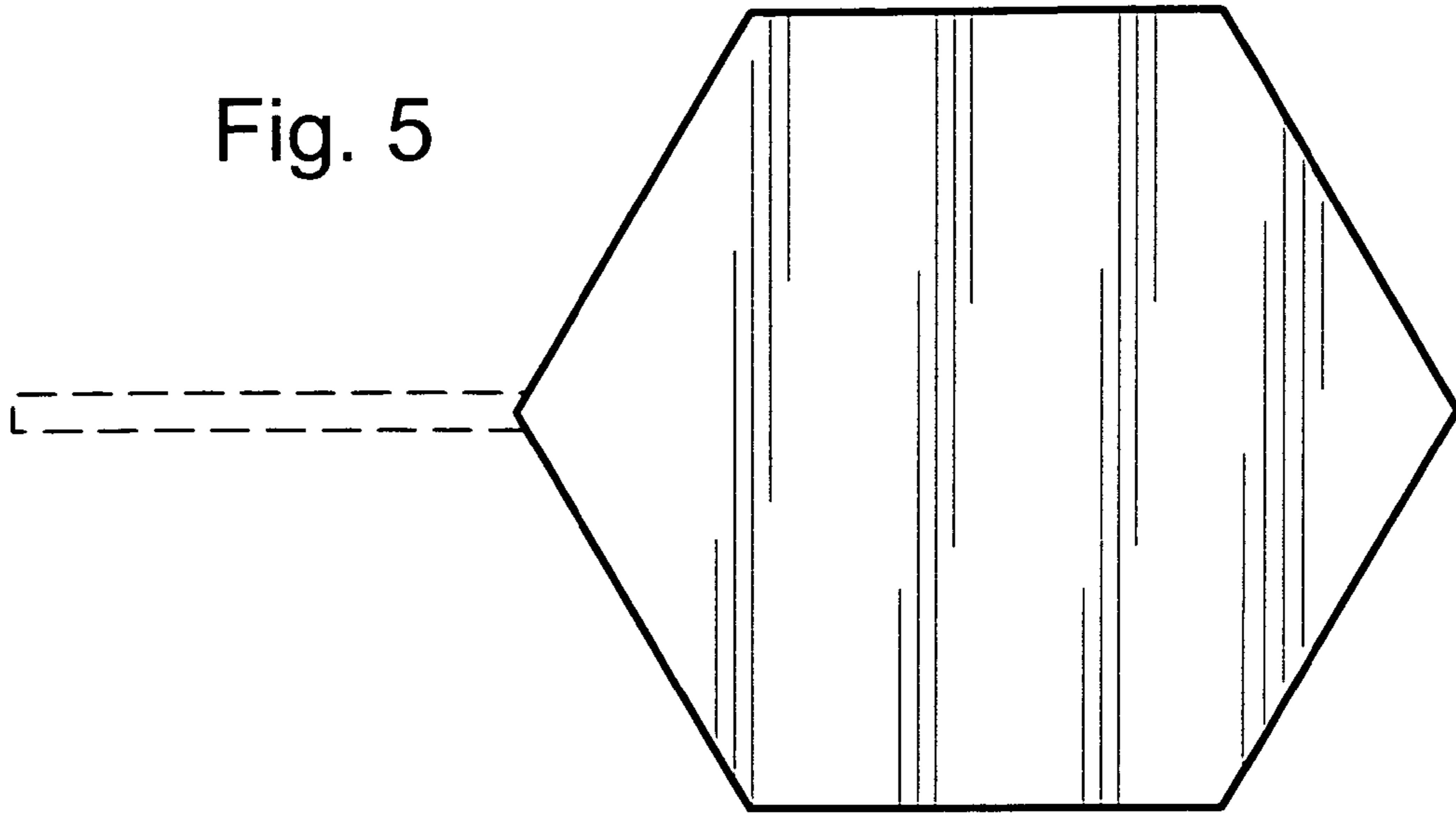
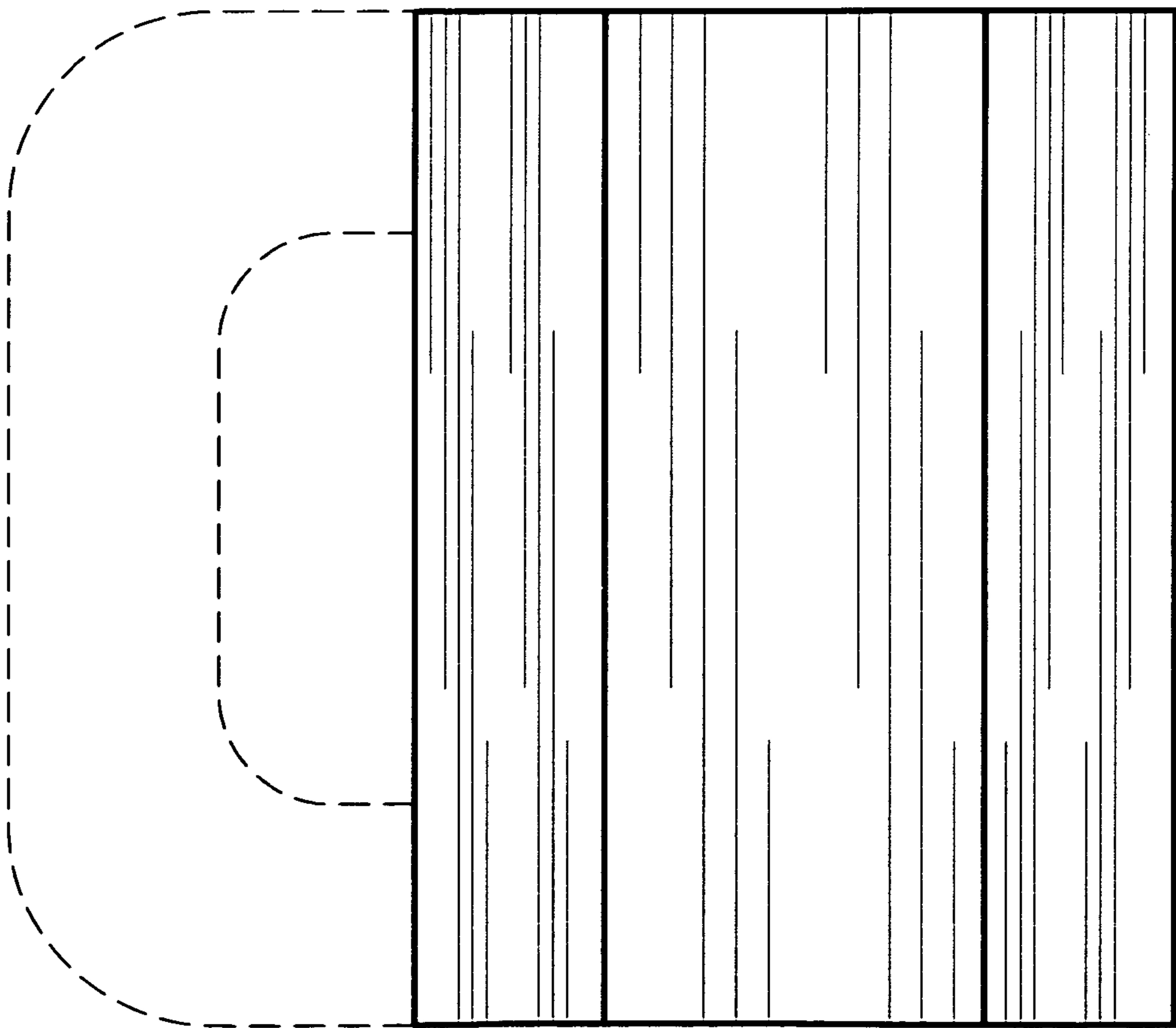


Fig. 6



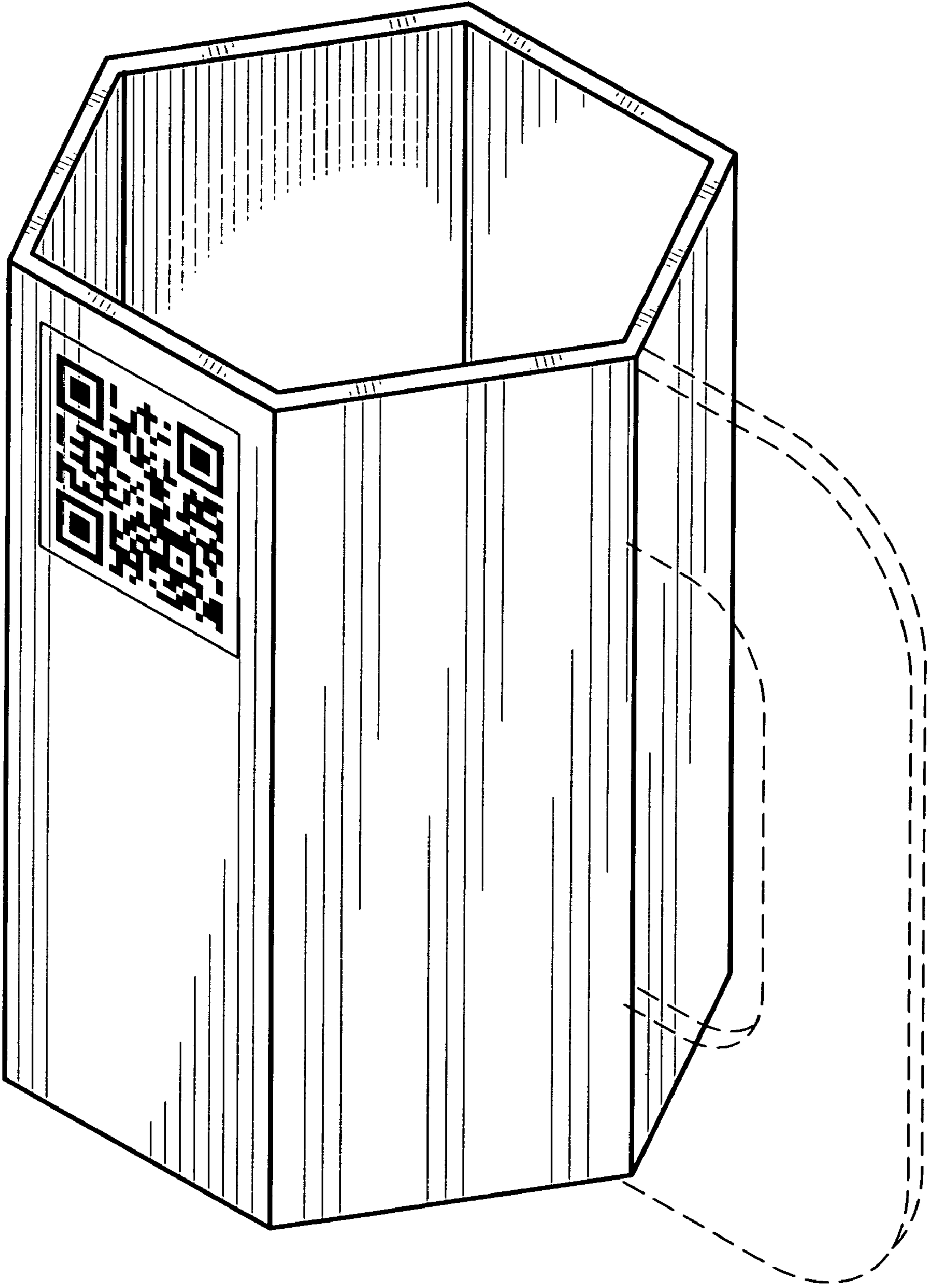


Fig. 7

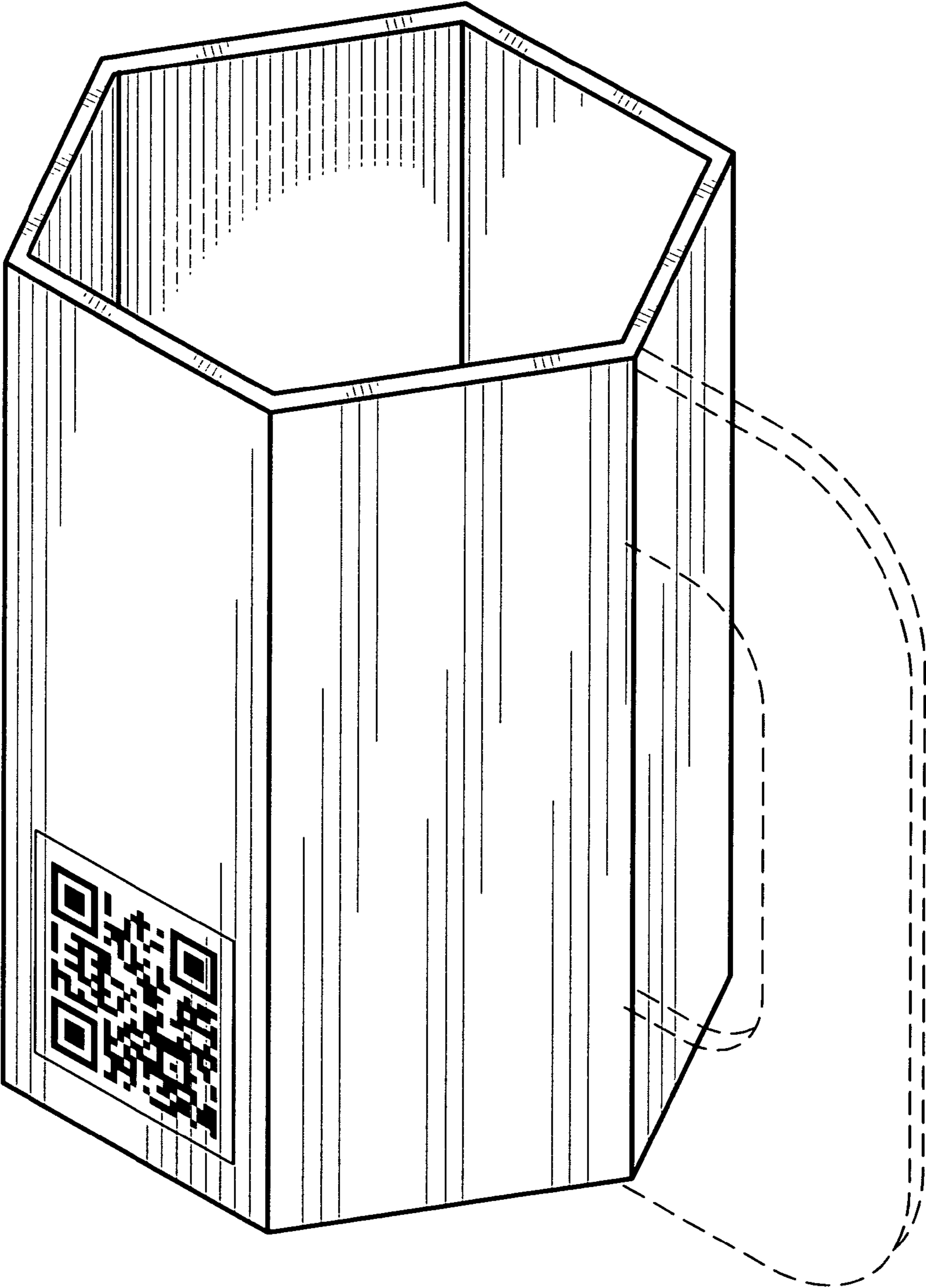


Fig. 8

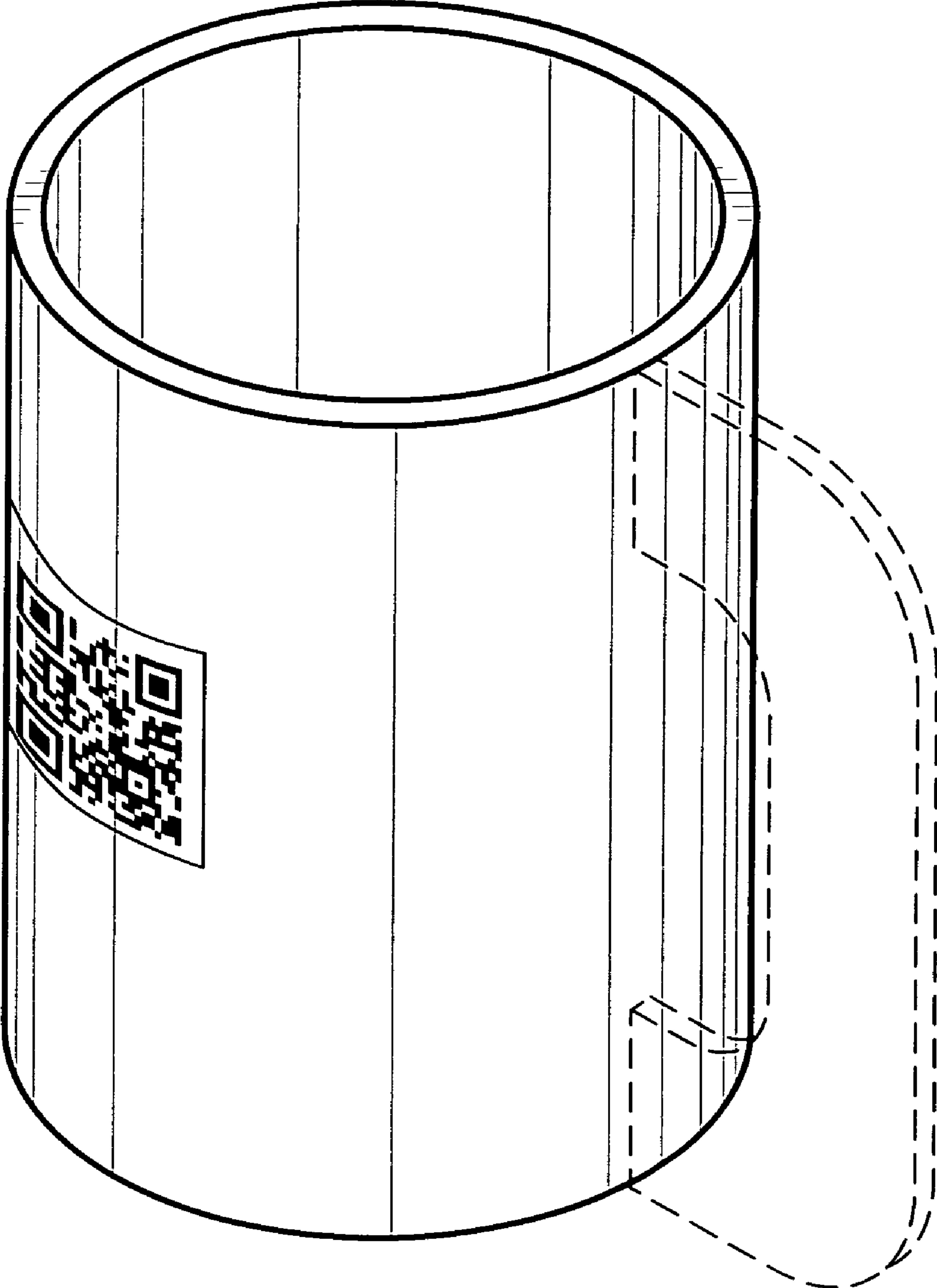


Fig. 9



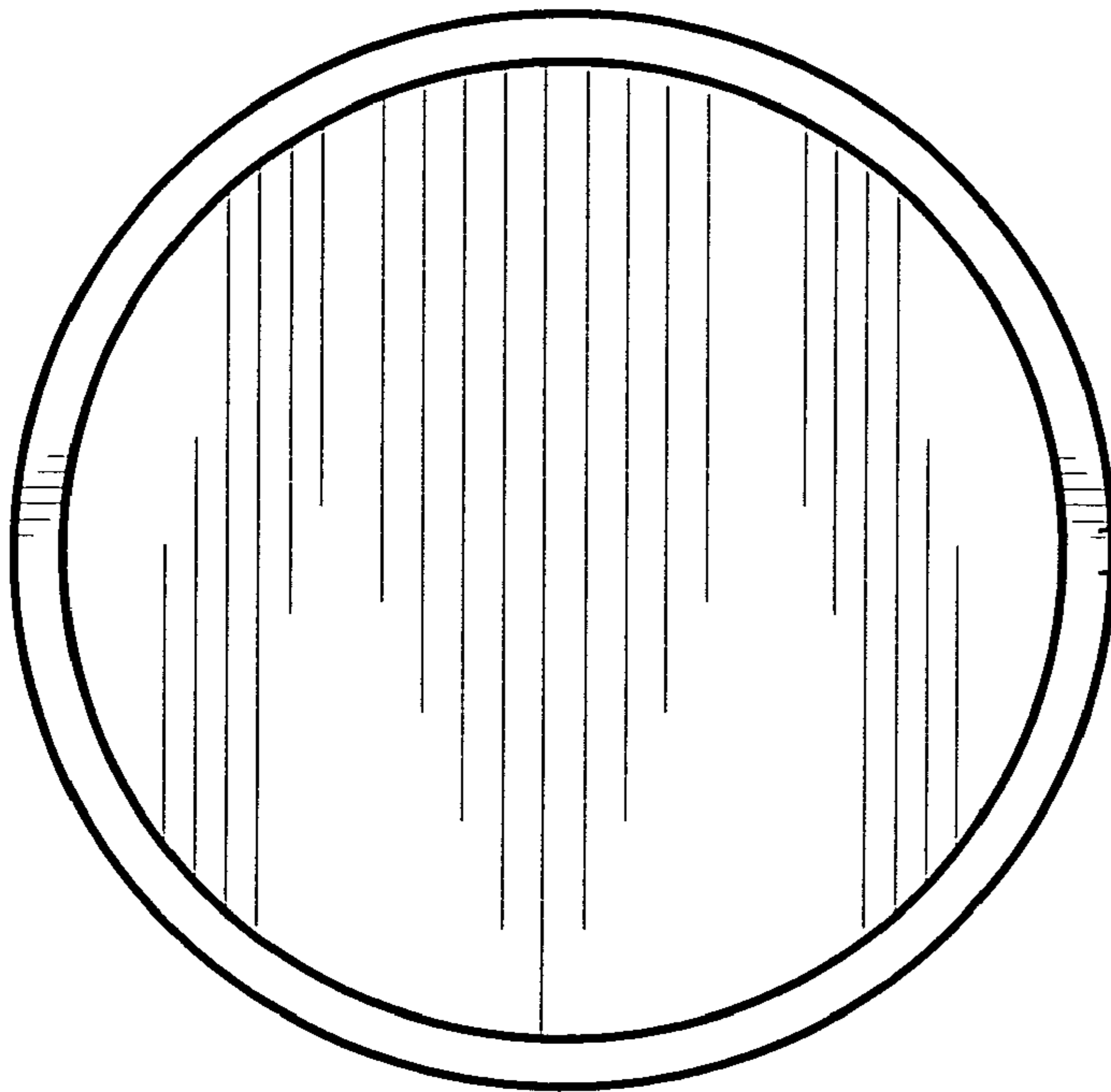


Fig. 10

Fig. 11

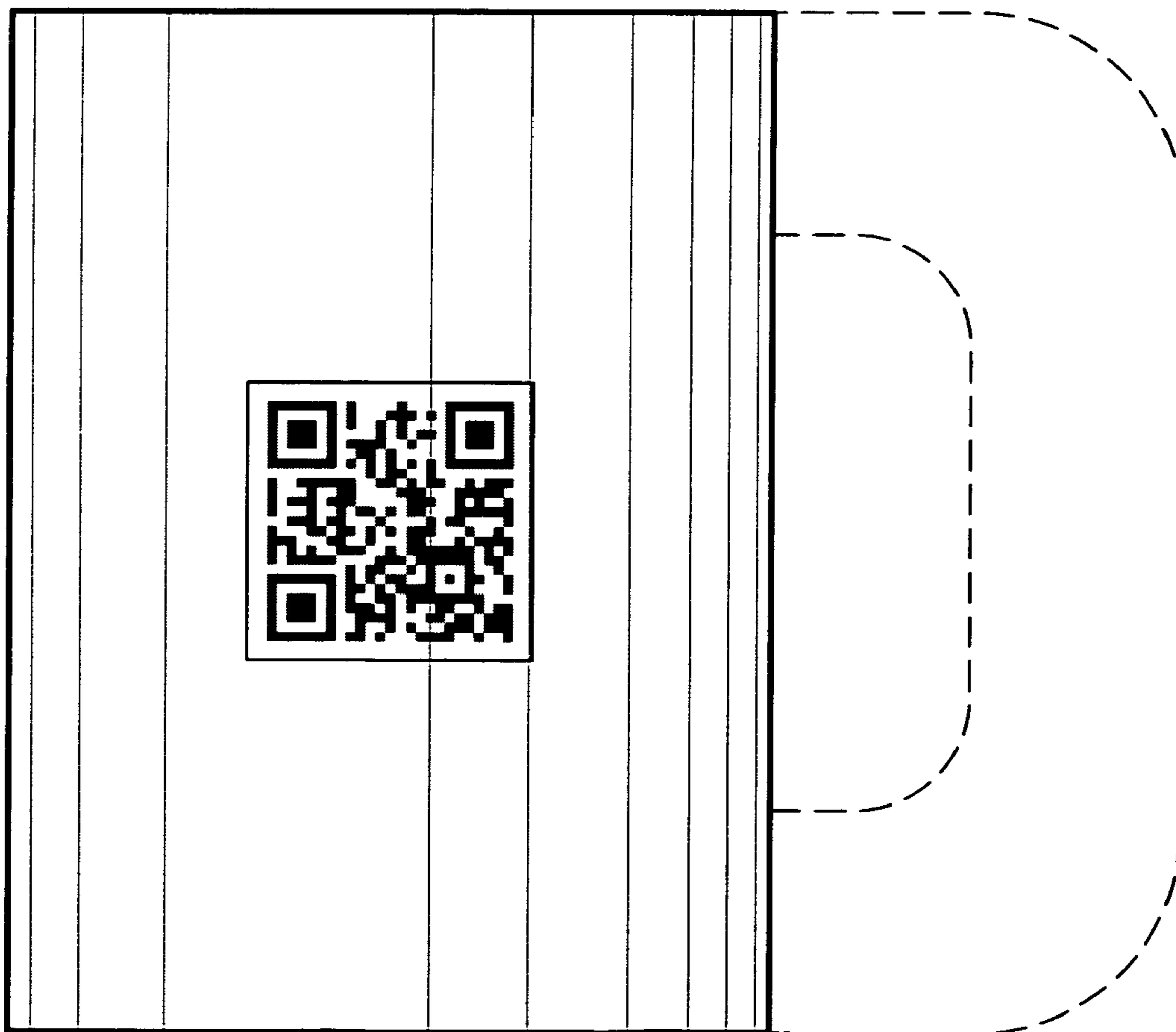


Fig. 12

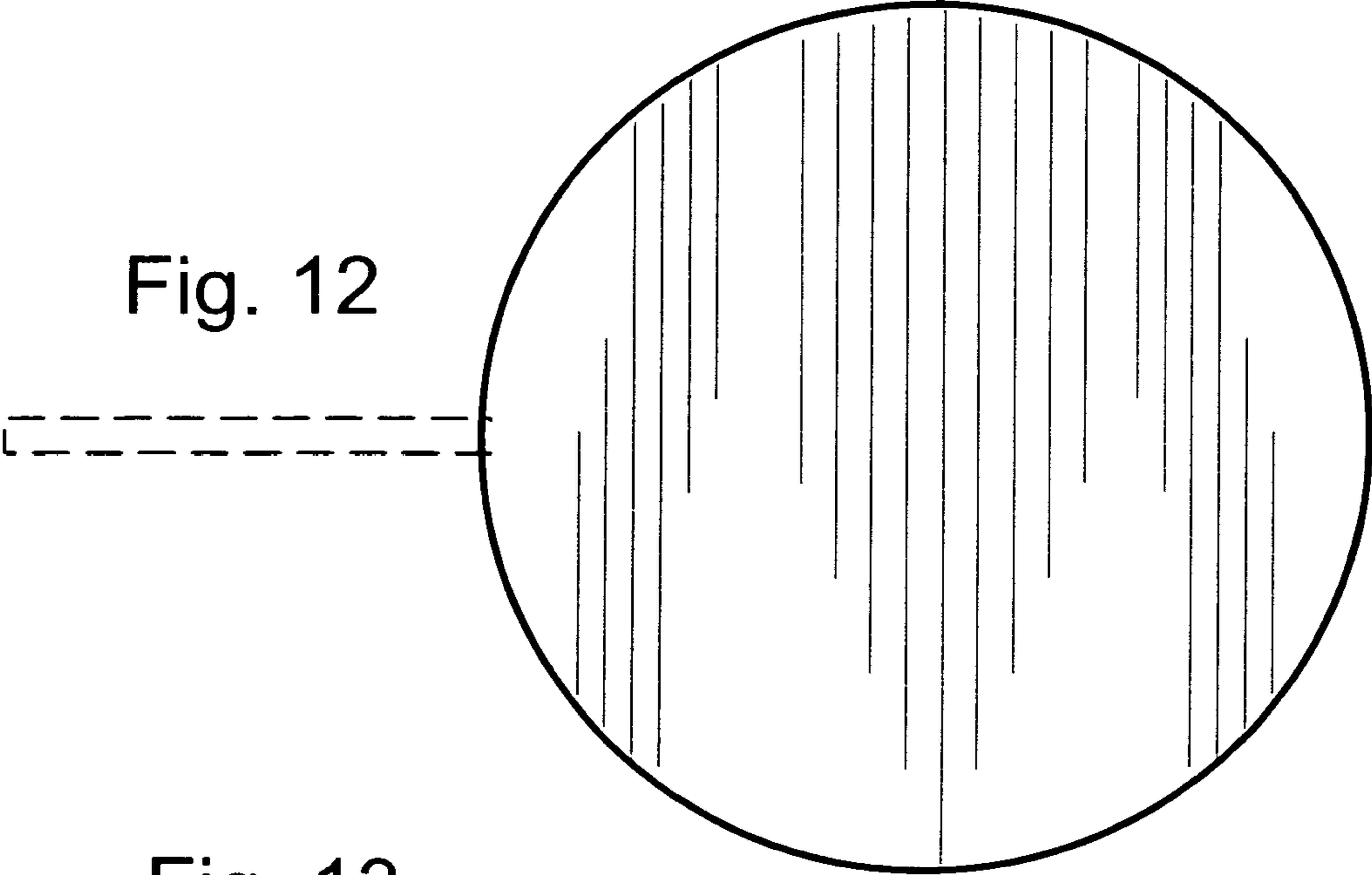


Fig. 13

