



US00D662783S

(12) **United States Design Patent**
Lee

(10) **Patent No.:** **US D662,783 S**
(45) **Date of Patent:** **** Jul. 3, 2012**

(54) **AIRTIGHT CONTAINER FOR FOOD**

(75) Inventor: **Sun Kab Lee**, Yongin-Si (KR)

(73) Assignee: **Dong Yang Chemical Co., Ltd.**,
Yongin-si, Gyeonggi-do (KR)

(**) Term: **14 Years**

(21) Appl. No.: **29/397,781**

(22) Filed: **Jul. 20, 2011**

(30) **Foreign Application Priority Data**

Jan. 21, 2011 (KR) 30-2011-0002749

(51) **LOC (9) Cl.** **07-07**

(52) **U.S. Cl.** **D7/602**

(58) **Field of Classification Search** D7/601,
D7/602, 629, 630, 538-542, 612-615, 584,
D7/586, 587; D9/424-432; D3/273; 229/107,
229/406, 120, 125.17; 220/669-673, 675,
220/574-575, 573.1, 660, 326, 236, 780-806,
220/4.21, 4.24, 288, 260

See application file for complete search history.

(56) **References Cited**

U.S. PATENT DOCUMENTS

D278,675 S *	5/1985	Tardif et al.	D7/629
D511,655 S *	11/2005	Kim	D7/629
D528,374 S *	9/2006	Heiberg et al.	D7/629
D601,387 S *	10/2009	Carlson	D7/602
D644,888 S *	9/2011	Samartgis	D7/602

* cited by examiner

Primary Examiner — Terry Wallace

(74) *Attorney, Agent, or Firm* — Lowe Hauptman Ham & Berner, LLP

(57) **CLAIM**

The ornamental design for an airtight container for food, as shown and described.

DESCRIPTION

FIG. 1 is a perspective view of an airtight container for food showing my/our new design;
FIG. 2 is a front elevational view thereof, the rear side being a mirror image;
FIG. 3 is a left side elevational view thereof, the right side being a mirror image;
FIG. 4 is a top plan view thereof;
FIG. 5 is a bottom plan view thereof; and,
FIG. 6 is a cross-section taken along line A-A of FIG. 4.

1 Claim, 5 Drawing Sheets

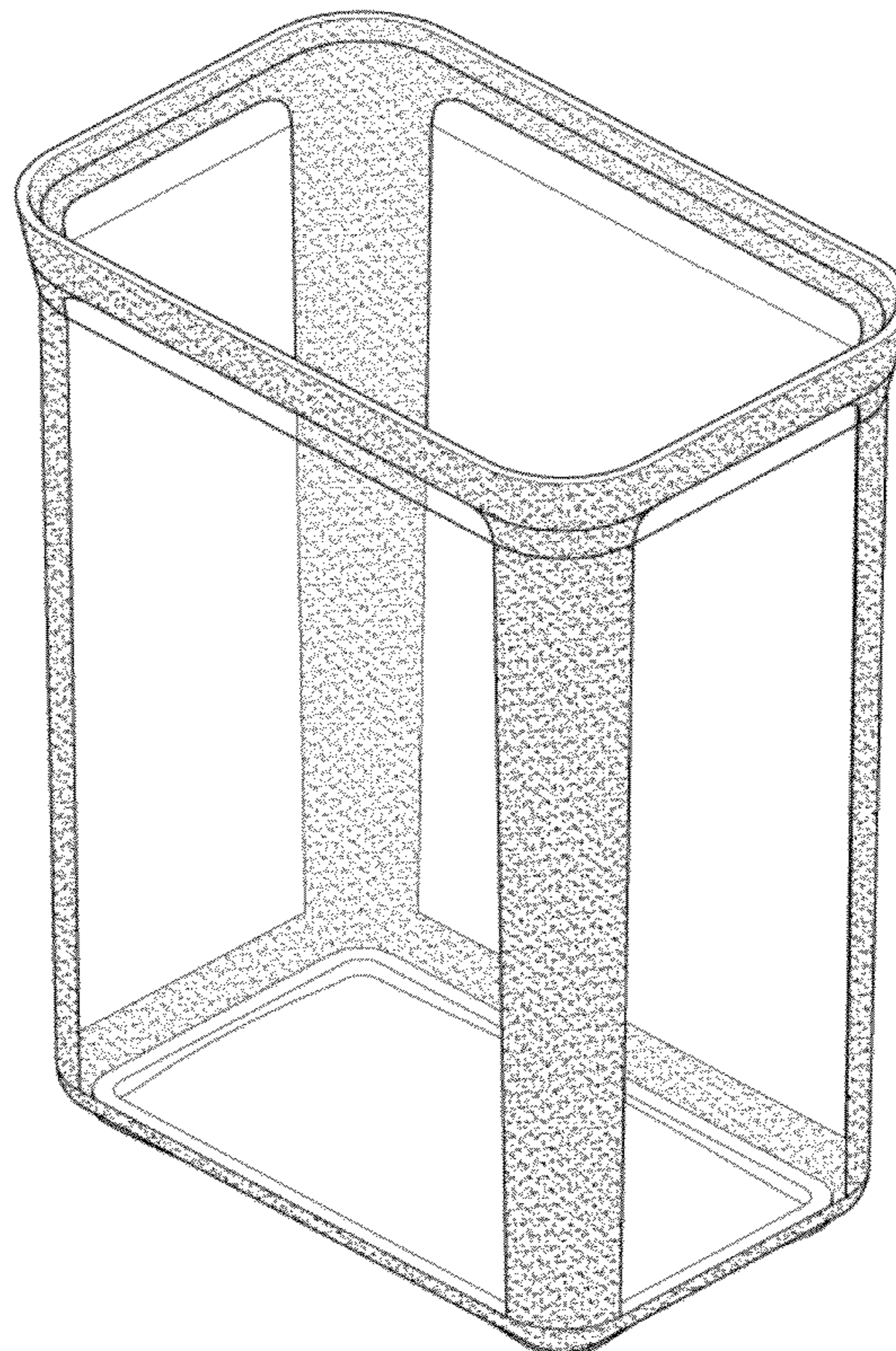


FIG. 1

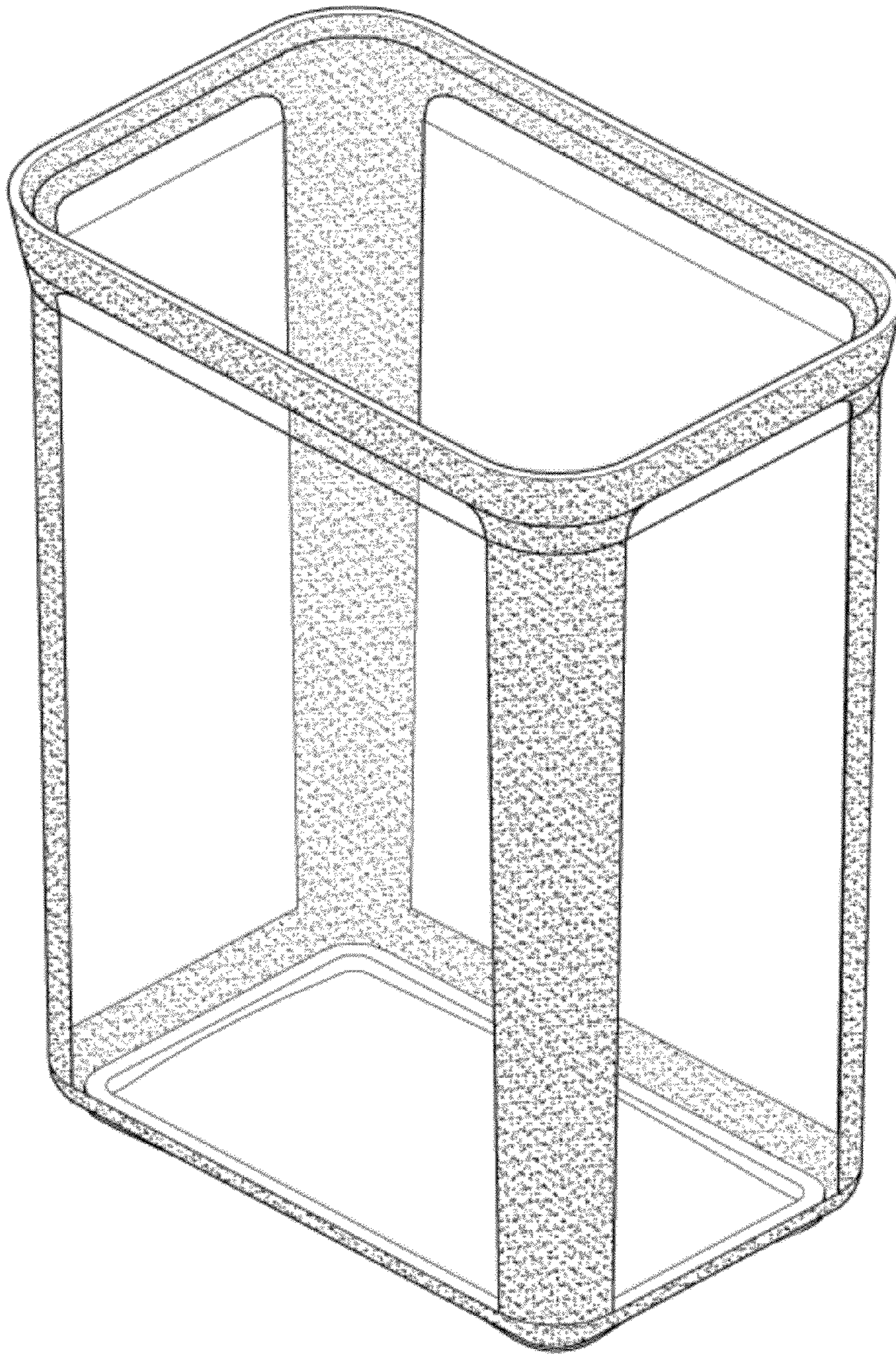


FIG. 2

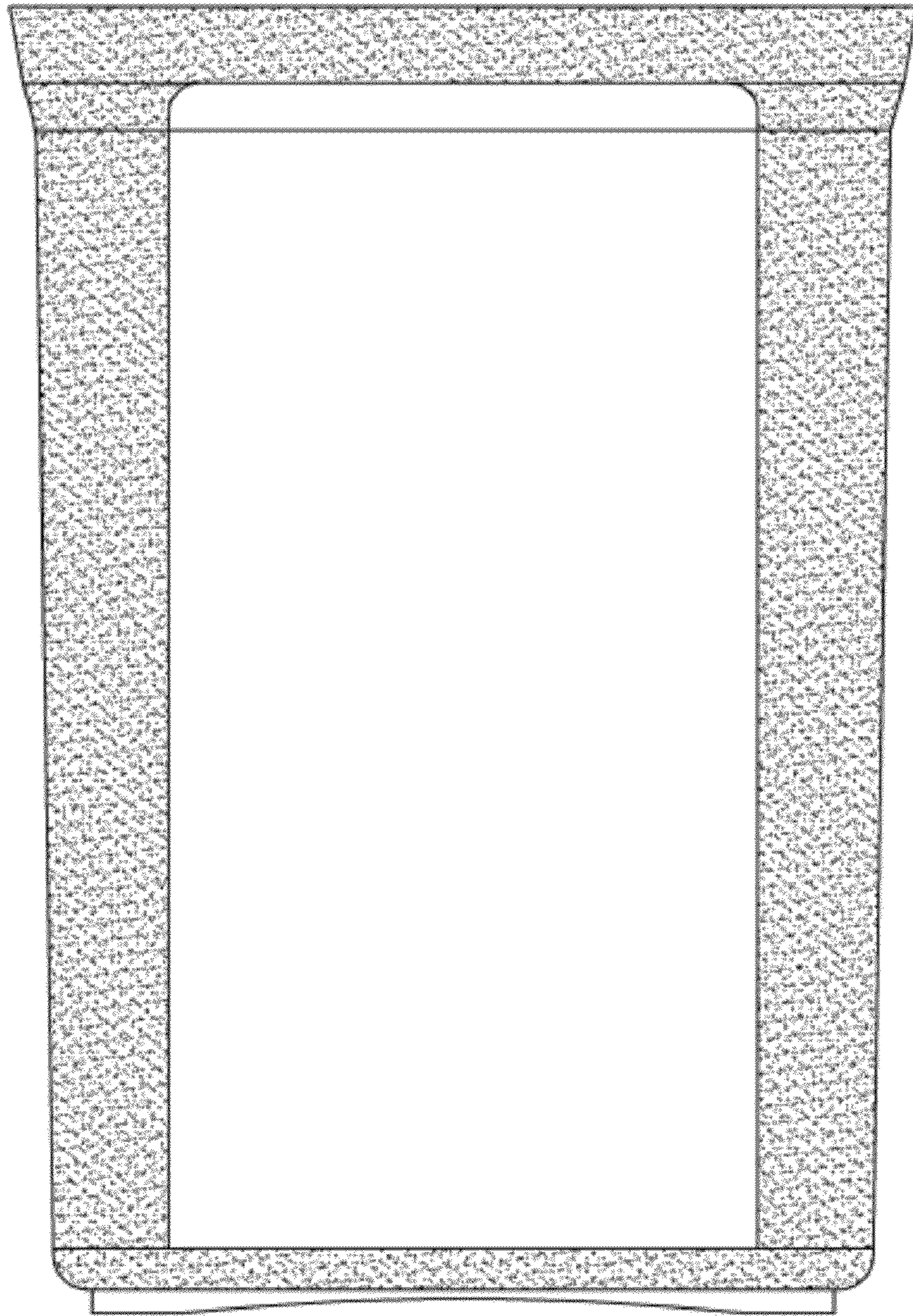


FIG. 3

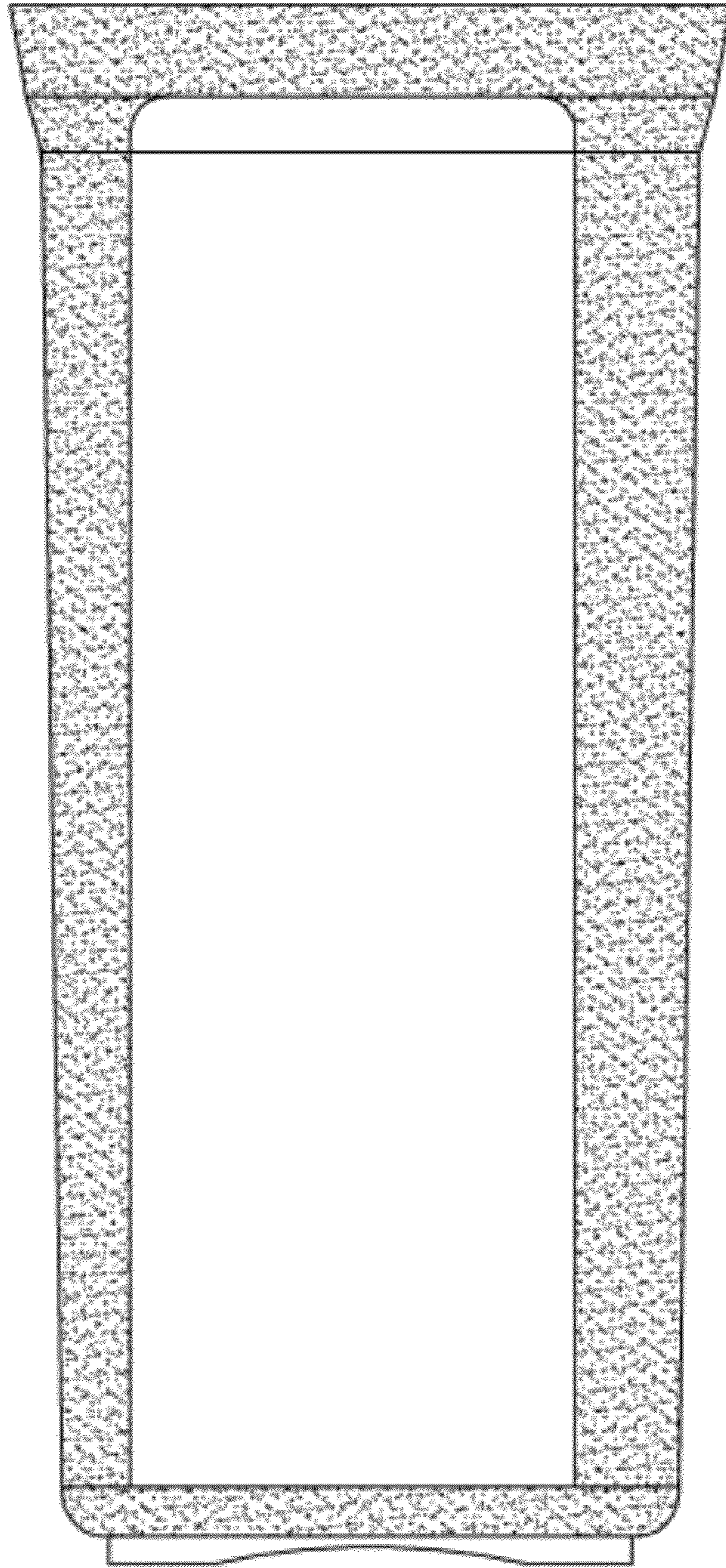


FIG. 4

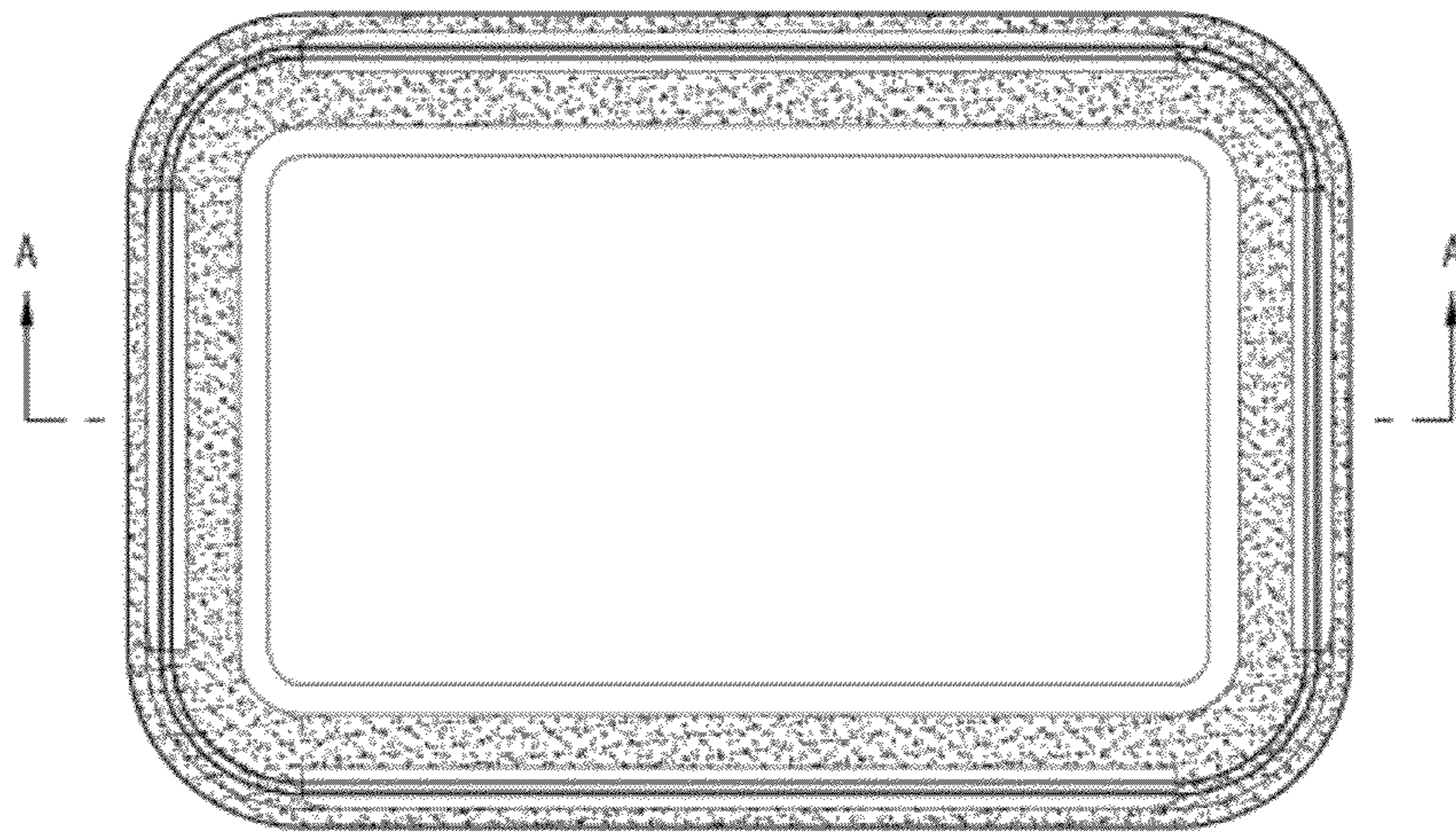


FIG. 5

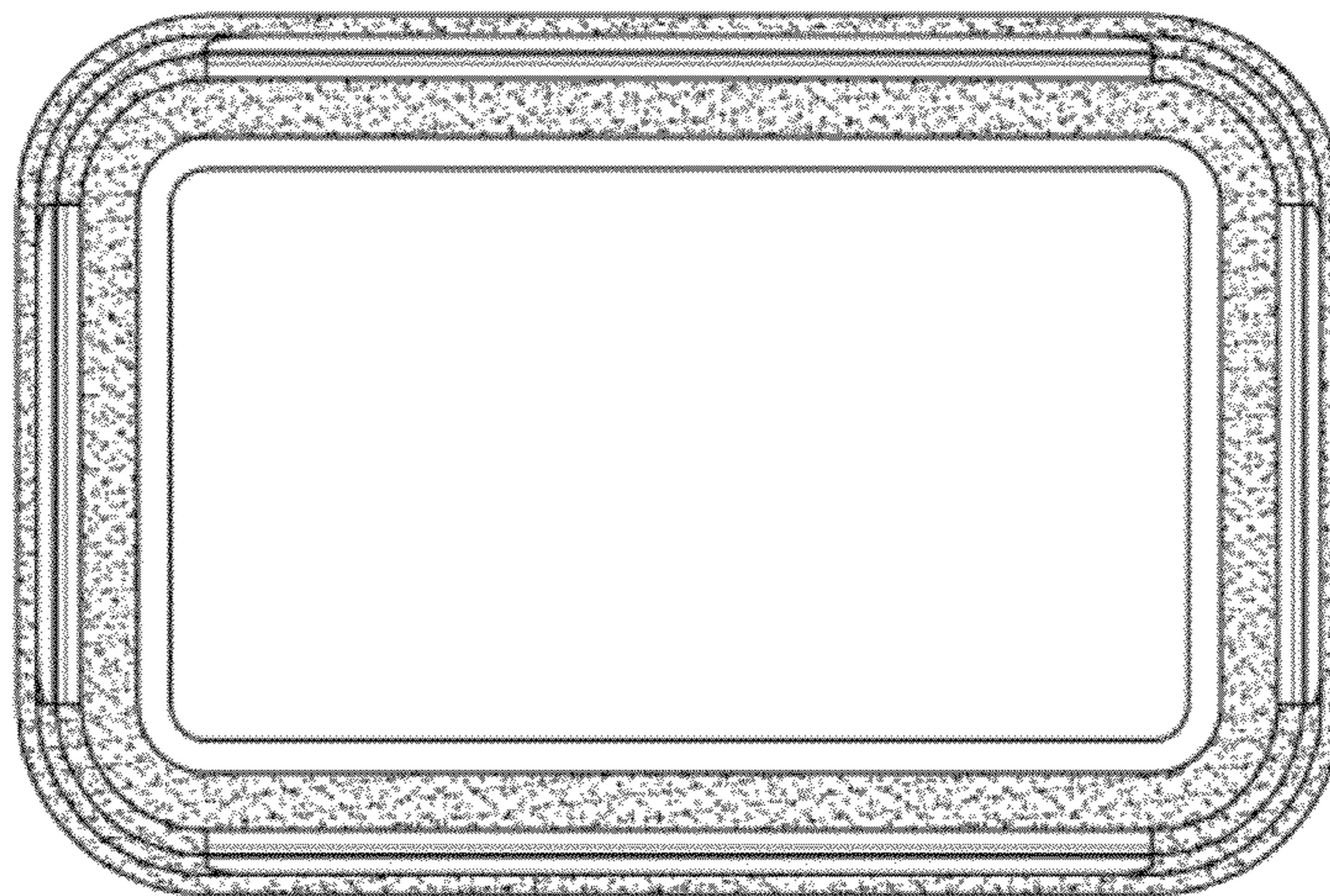


FIG. 6

