

US00D662782S

(12) **United States Design Patent**  
**Tiemann**

(10) **Patent No.:** **US D662,782 S**  
(45) **Date of Patent:** **\*\* Jul. 3, 2012**

- (54) **CAROUSEL FOR HOLDING BEVERAGE CARTRIDGES**
- (75) Inventor: **Frank R. Tiemann**, Madison Lake, MN (US)
- (73) Assignee: **Nifty Home Products, Inc.**, Madison Lake, MN (US)

D620,280 S	7/2010	Snider
D621,640 S	8/2010	Tiemann
D626,382 S	11/2010	Tiemann
D629,655 S	12/2010	Tiemann
D634,978 S	3/2011	Tiemann
D636,643 S	4/2011	Tiemann
D640,884 S	7/2011	Tiemann
D643,684 S	8/2011	Tiemann
2007/0045206 A1	3/2007	Tiemann

- (\* ) Notice: This patent is subject to a terminal disclaimer.
- (\*\* ) Term: **14 Years**

**FOREIGN PATENT DOCUMENTS**

CA 138042 7/2011  
\* cited by examiner

(21) Appl. No.: **29/392,582**

*Primary Examiner* — Terry Wallace  
(74) *Attorney, Agent, or Firm* — Nikolai & Mersereau, P.A.;  
Thomas J. Nikolai

(22) Filed: **May 24, 2011**

- (51) **LOC (9) Cl.** ..... **06-04**
- (52) **U.S. Cl.** ..... **D7/600.2**
- (58) **Field of Classification Search** .... D7/600.1–600.4,  
D7/701–708; D6/454–469, 449, 450; 211/71.07,  
211/70.6, 77, 78, 74, 85.31, 191.1, 119.12,  
211/128.1, 85.26, 85.4, 133.2

(57) **CLAIM**  
The ornamental design for the “carousel for holding beverage cartridges,” as shown and described.

See application file for complete search history.

**DESCRIPTION**

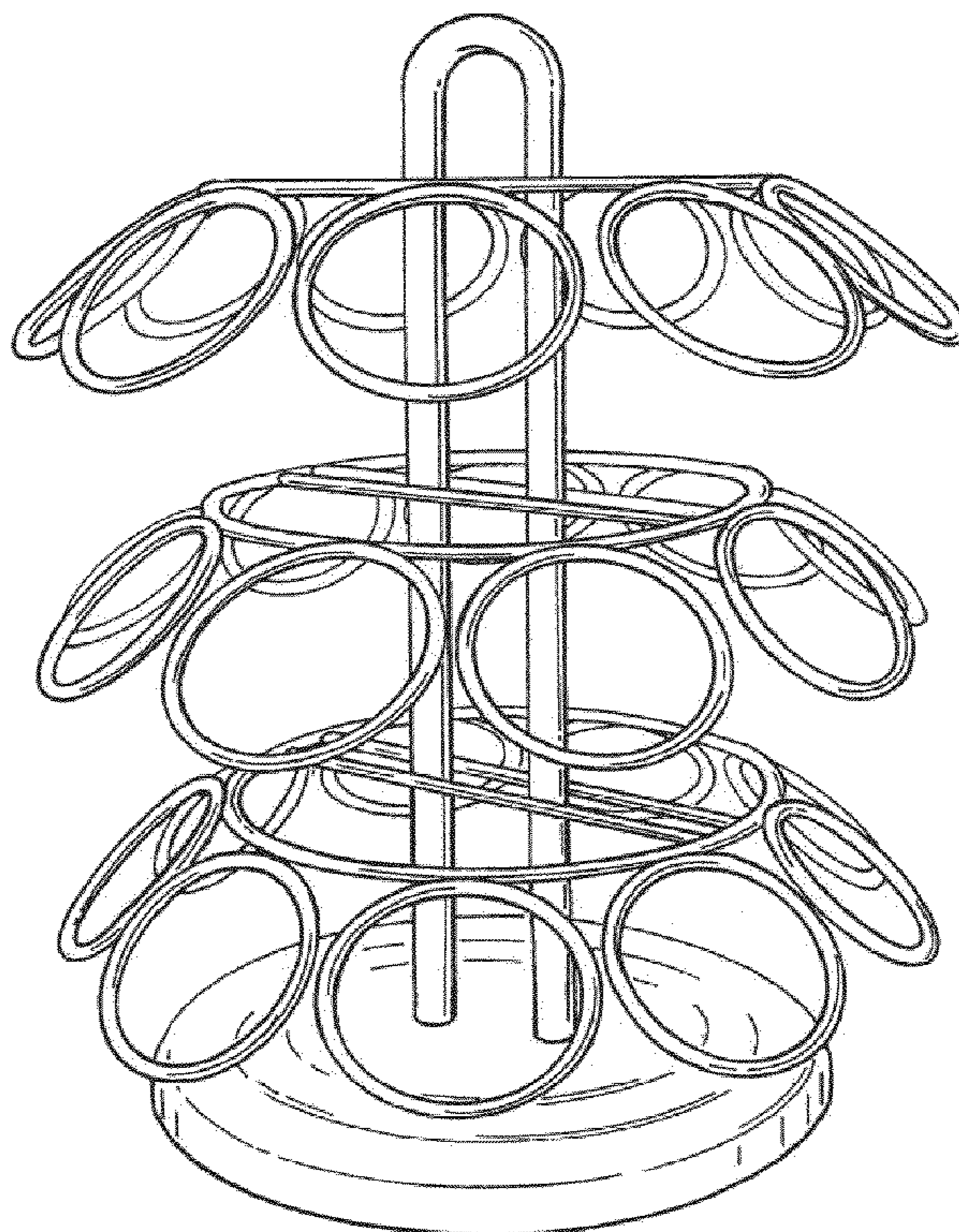
FIG. 1 is a perspective view of the carousel for holding beverage cartridges;  
FIG. 2 is a front view thereof;  
FIG. 3 is a side view thereof;  
FIG. 4 is a back view thereof;  
FIG. 5 is a second side view thereof;  
FIG. 6 is a top view thereof; and,  
FIG. 7 is a bottom view thereof.

(56) **References Cited**

**U.S. PATENT DOCUMENTS**

D536,936 S	*	2/2007	Tiemann	.....	D7/704
D544,308 S	*	6/2007	Tiemann	.....	D7/590
D586,185 S	*	2/2009	Tiemann	.....	D7/600.2
D609,057 S	*	2/2010	Hertaus	.....	D7/600.2
D609,533 S	*	2/2010	Tiemann	.....	D7/600.2
D617,124 S		6/2010	Snider		

**1 Claim, 7 Drawing Sheets**



*FIG. 1*

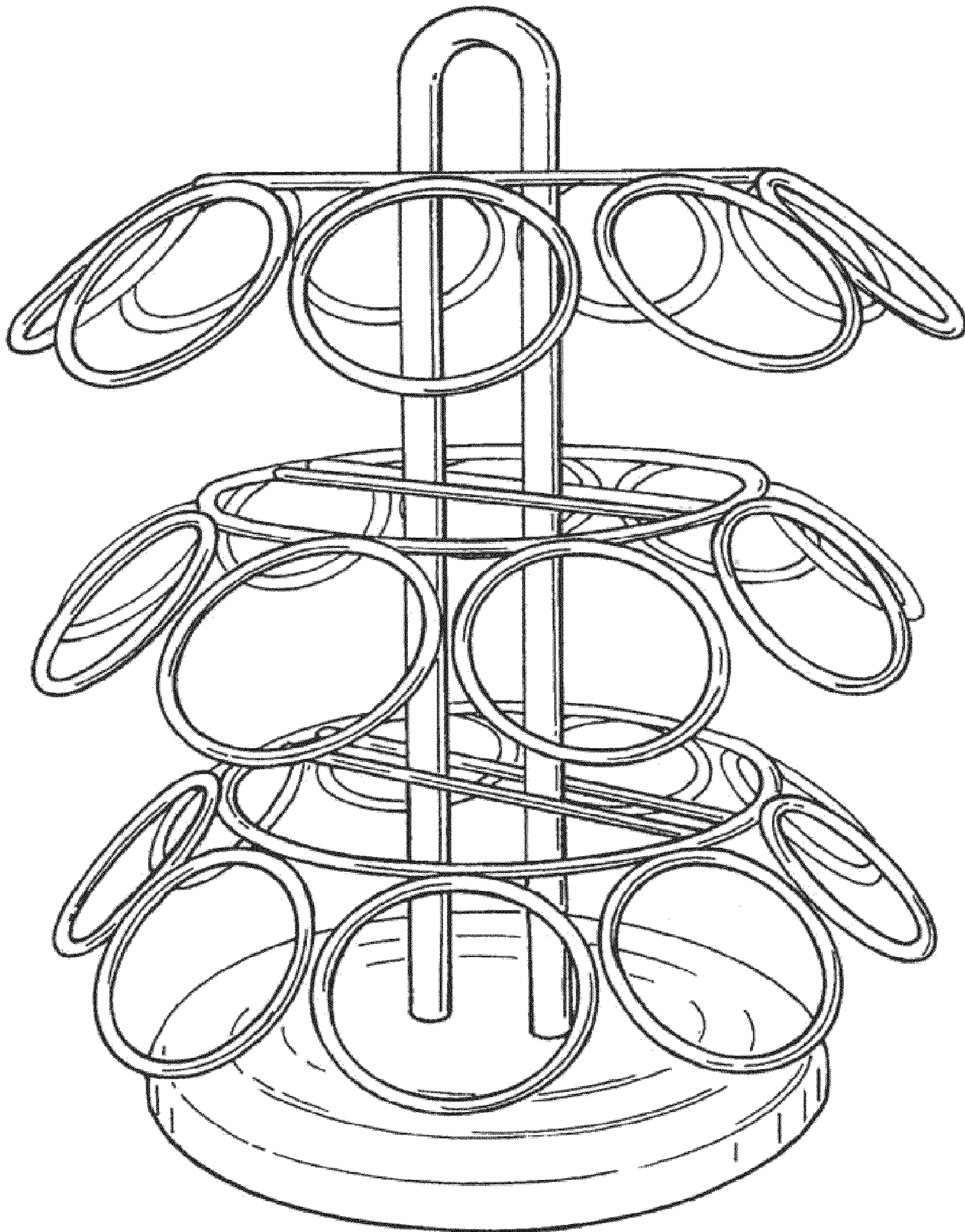


FIG. 2

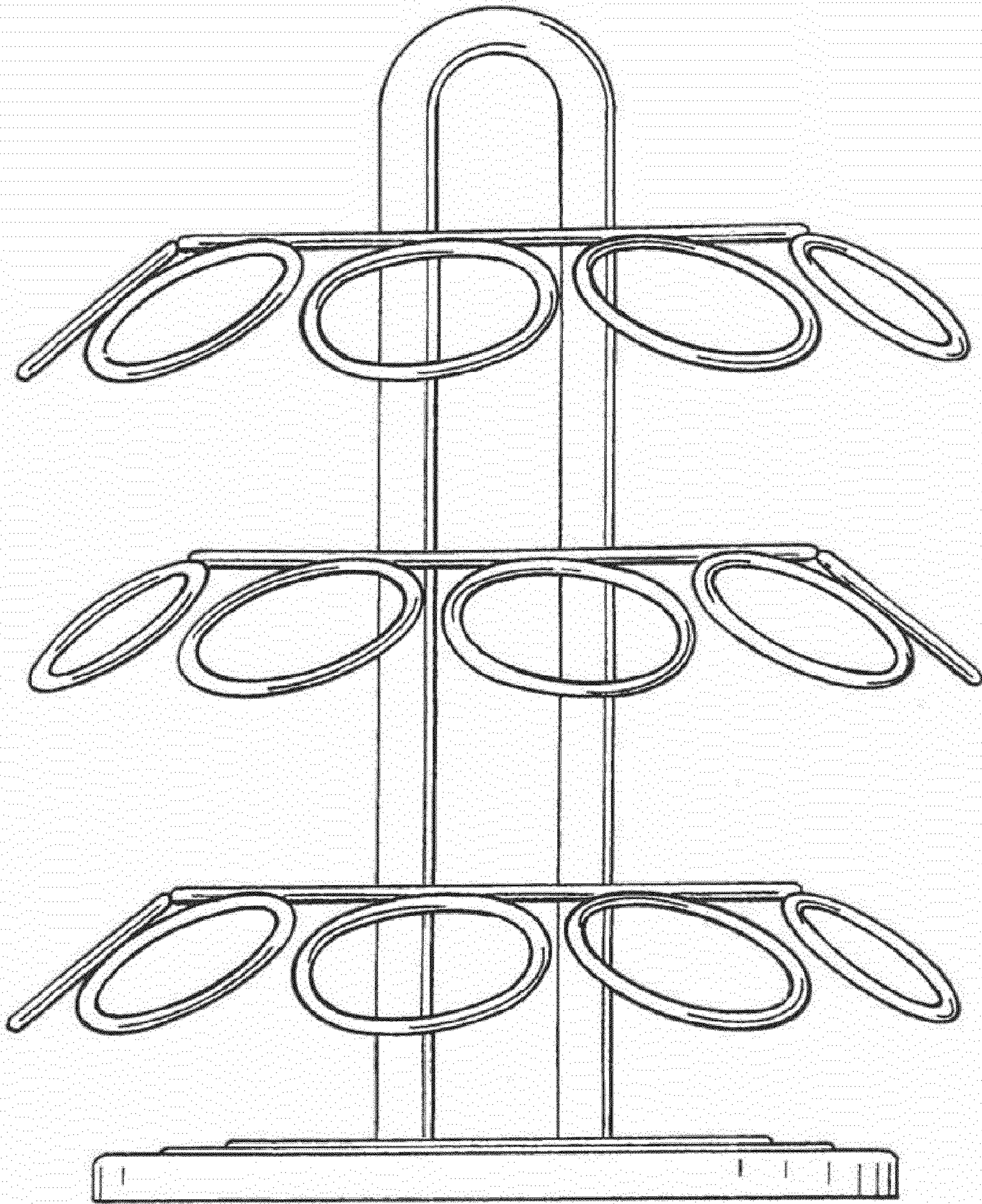


FIG. 3

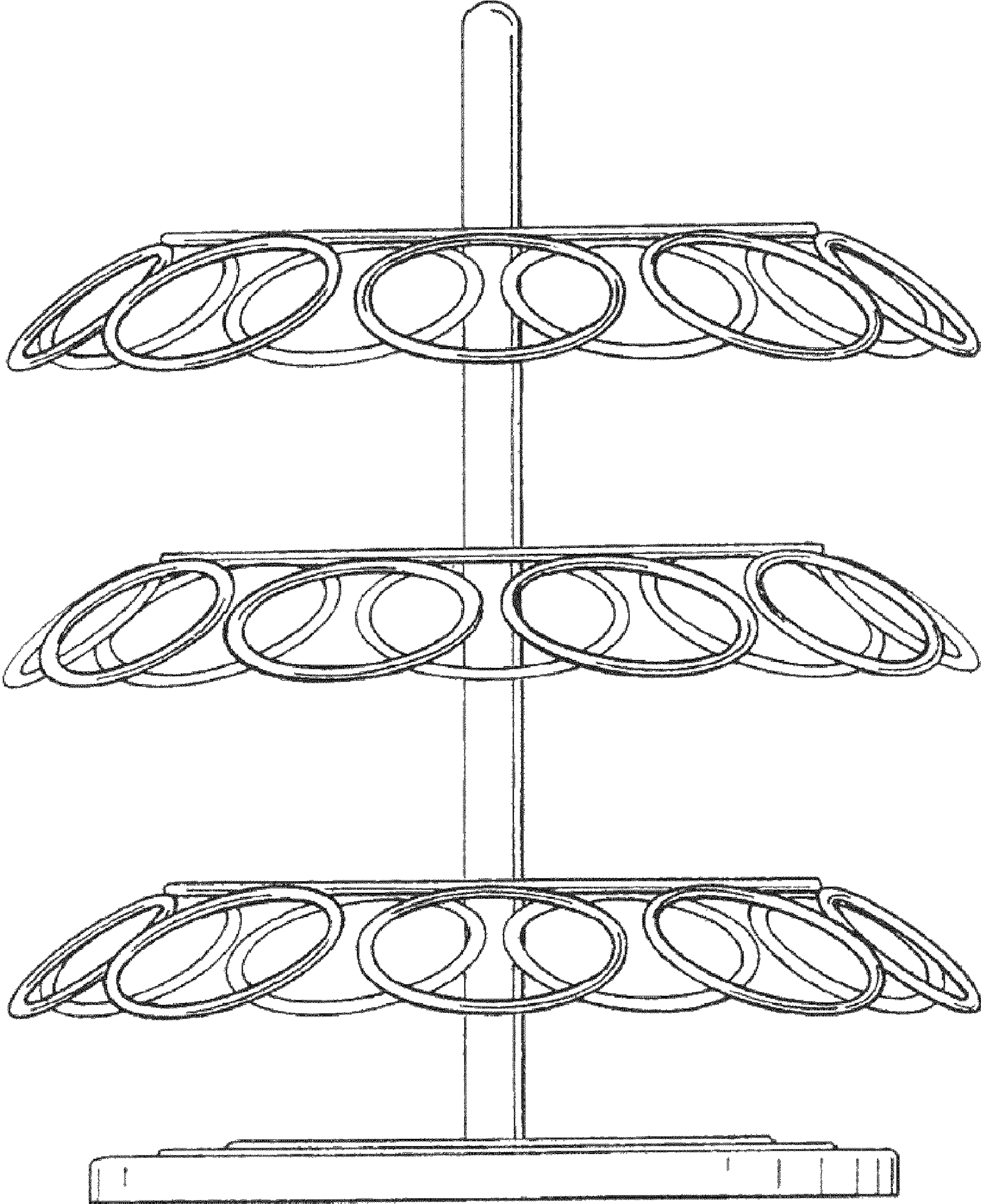


FIG. 4

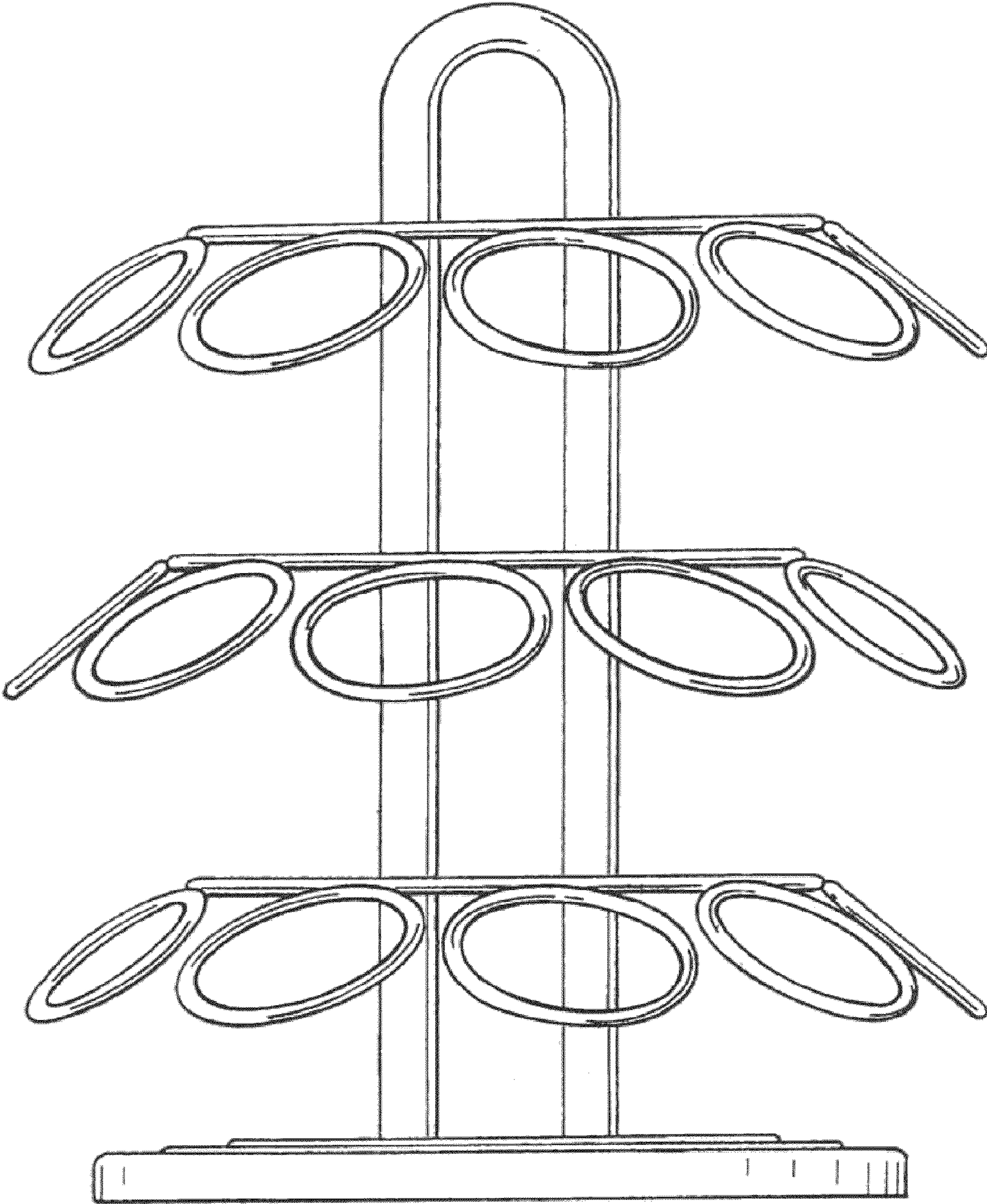
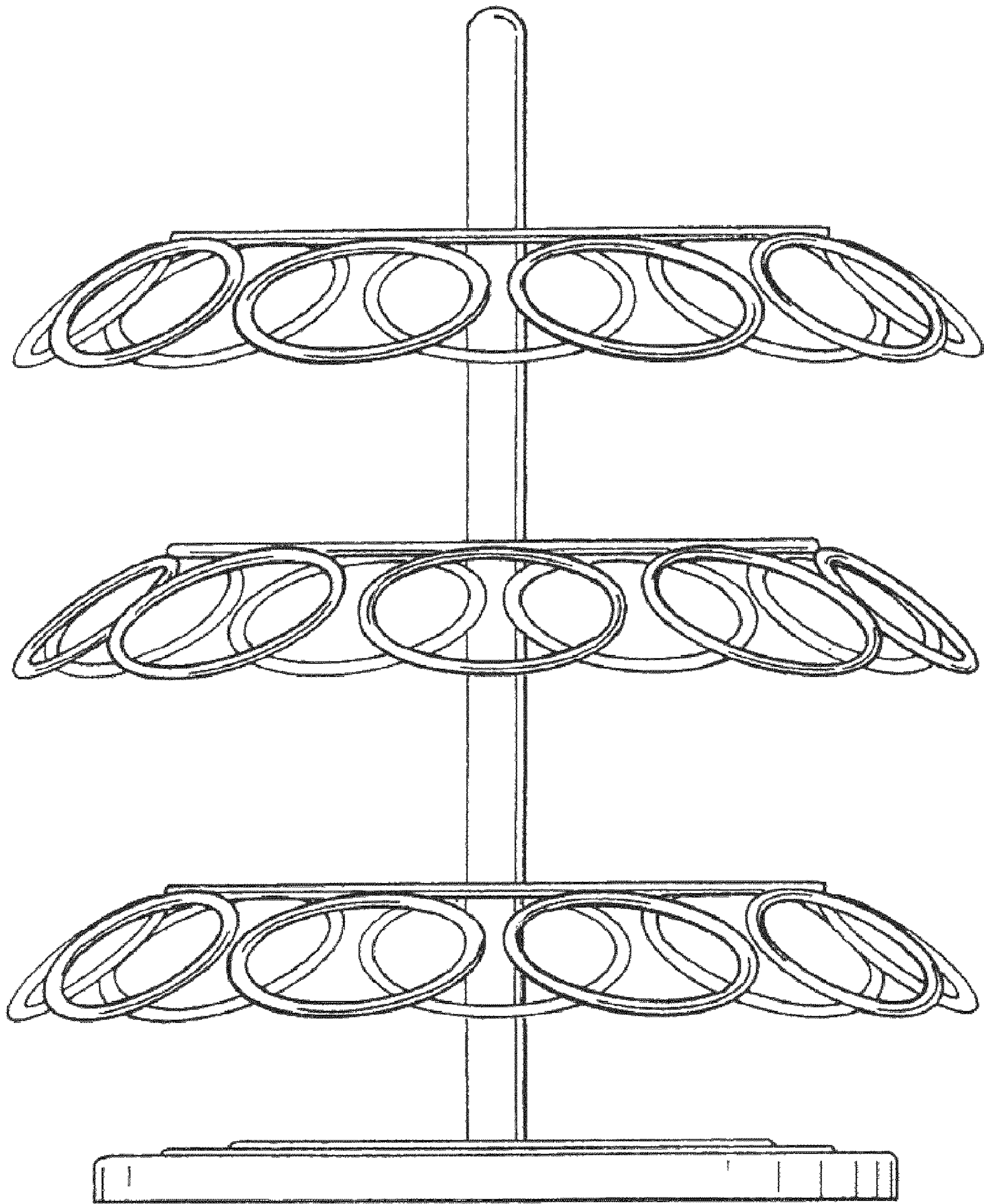
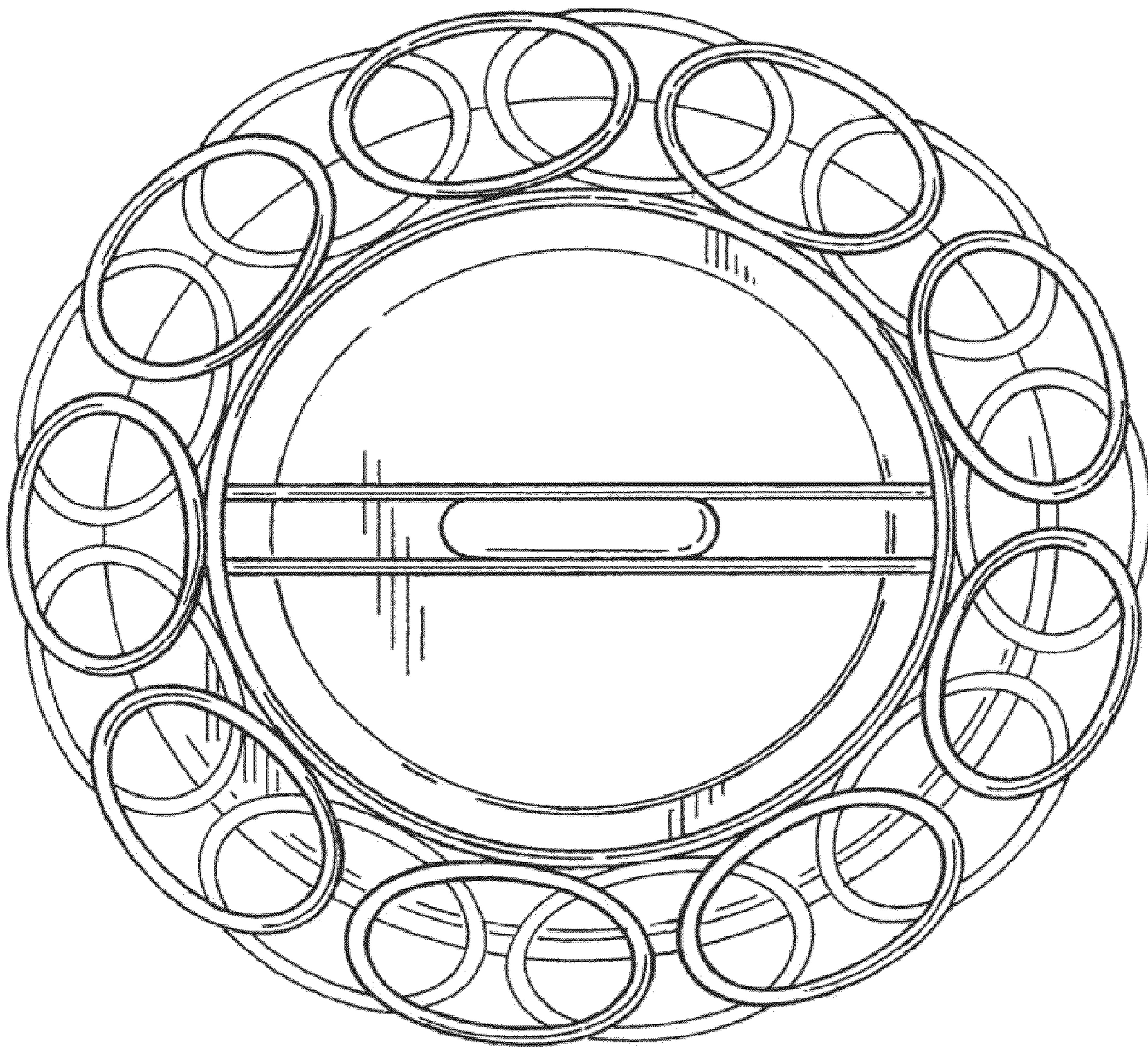


FIG. 5



*FIG. 6*



*FIG. 7*

