



US00D662781S

(12) **United States Design Patent**
Palotto

(10) **Patent No.:** **US D662,781 S**
(45) **Date of Patent:** **** Jul. 3, 2012**

- (54) **TRAY FOR A FOOD CONTAINER**
- (75) Inventor: **Simone Palotto**, Etterbeek (BE)
- (73) Assignee: **Dart Industries Inc.**, Orlando, FL (US)
- (**) Term: **14 Years**
- (21) Appl. No.: **29/374,204**
- (22) Filed: **Jul. 14, 2011**
- (51) **LOC (9) Cl.** **07-01**
- (52) **U.S. Cl.** **D7/552.1**
- (58) **Field of Classification Search** D7/552.1,
D7/354-357, 550.1, 553.1, 553.2, 553.3;
220/23.88, 62.11-62.13, 500, 506-507, 553-556
See application file for complete search history.

D579,264 S *	10/2008	Simon et al.	D7/357
D596,447 S *	7/2009	Cubillos	D7/357
D600,502 S *	9/2009	Paslowski	D7/548
D611,300 S	3/2010	Chen et al.	
D612,663 S *	3/2010	Galperin	D7/354
D630,508 S *	1/2011	Hubbard et al.	D9/433
D638,137 S *	5/2011	Gross et al.	D24/227
D639,447 S *	6/2011	Karpiloff	D24/230
D641,216 S	7/2011	Chen	
D653,083 S *	1/2012	Hatcher et al.	D7/553.5
D654,300 S *	2/2012	Bradley et al.	D7/354
D654,301 S *	2/2012	Bradley et al.	D7/354

* cited by examiner

Primary Examiner — Kelley Donnelly

(74) *Attorney, Agent, or Firm* — John A. Doninger

(57) **CLAIM**

The ornamental design for a tray for a food container, as shown and described.

DESCRIPTION

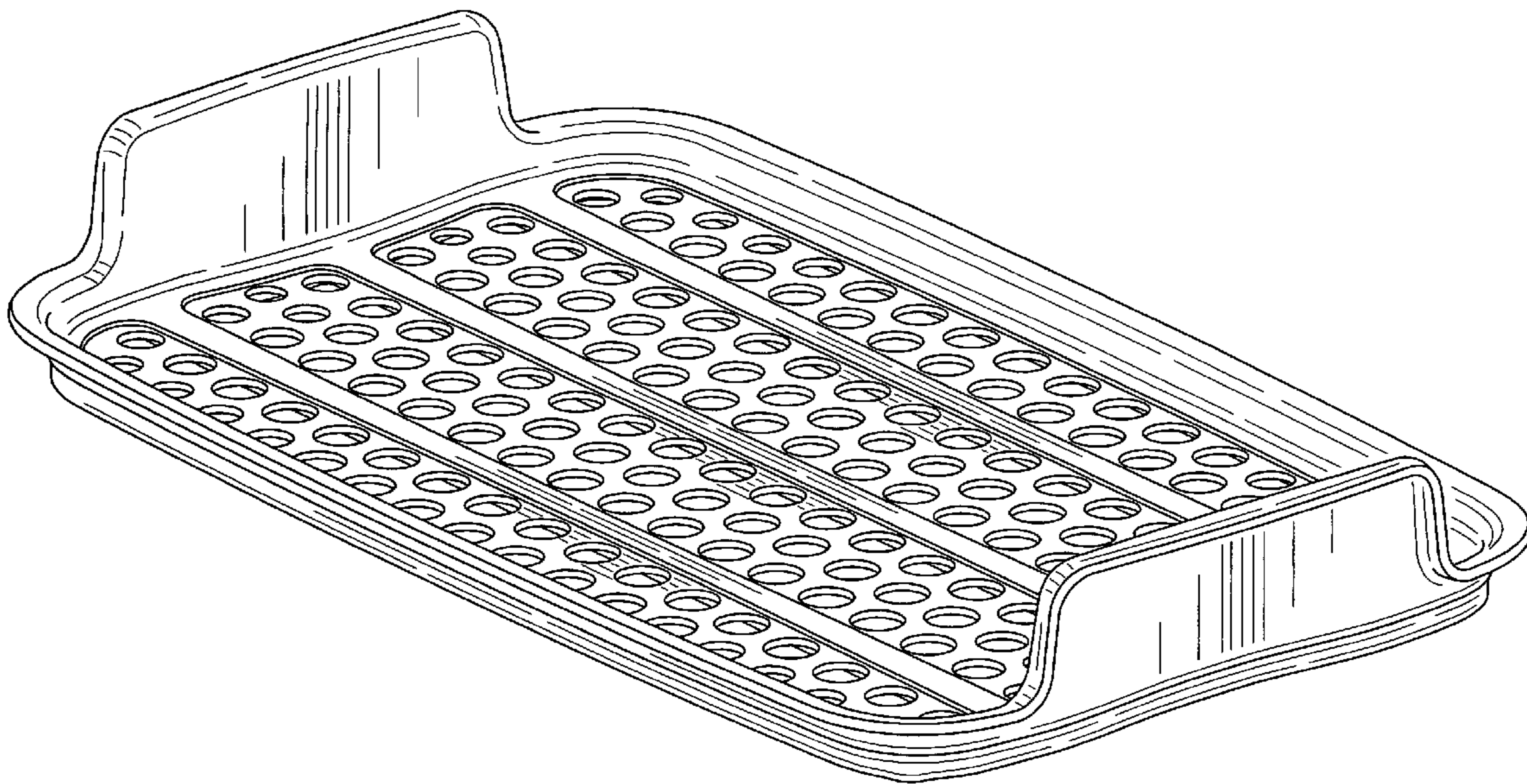
FIG. 1 is a top, front and right side perspective view of a tray for a food container showing my new design;
 FIG. 2 is a bottom, rear and right side perspective view thereof;
 FIG. 3 is a top plan view thereof;
 FIG. 4 is a bottom plan view thereof;
 FIG. 5 is a front elevation view, the rear elevation being identical thereto; and,
 FIG. 6 is a right side elevation view, the left side elevation being identical thereto.

1 Claim, 5 Drawing Sheets

(56) **References Cited**

U.S. PATENT DOCUMENTS

D220,637 S	5/1971	Swett et al.	
D239,691 S	4/1976	Ashton	
D259,535 S	6/1981	Daenen	
D286,496 S	11/1986	Daenen et al.	
D286,497 S	11/1986	Daenen et al.	
D332,204 S	1/1993	Carlson	
D337,483 S *	7/1993	Newton et al.	D7/409
D345,898 S *	4/1994	Aiken et al.	D7/676
D378,561 S	3/1997	Ferris et al.	
6,367,409 B1	4/2002	Broom	
D472,767 S *	4/2003	Gebhardt et al.	D7/552.1
D475,625 S *	6/2003	Lin	D9/456
D507,939 S	8/2005	Mitchell, Jr.	



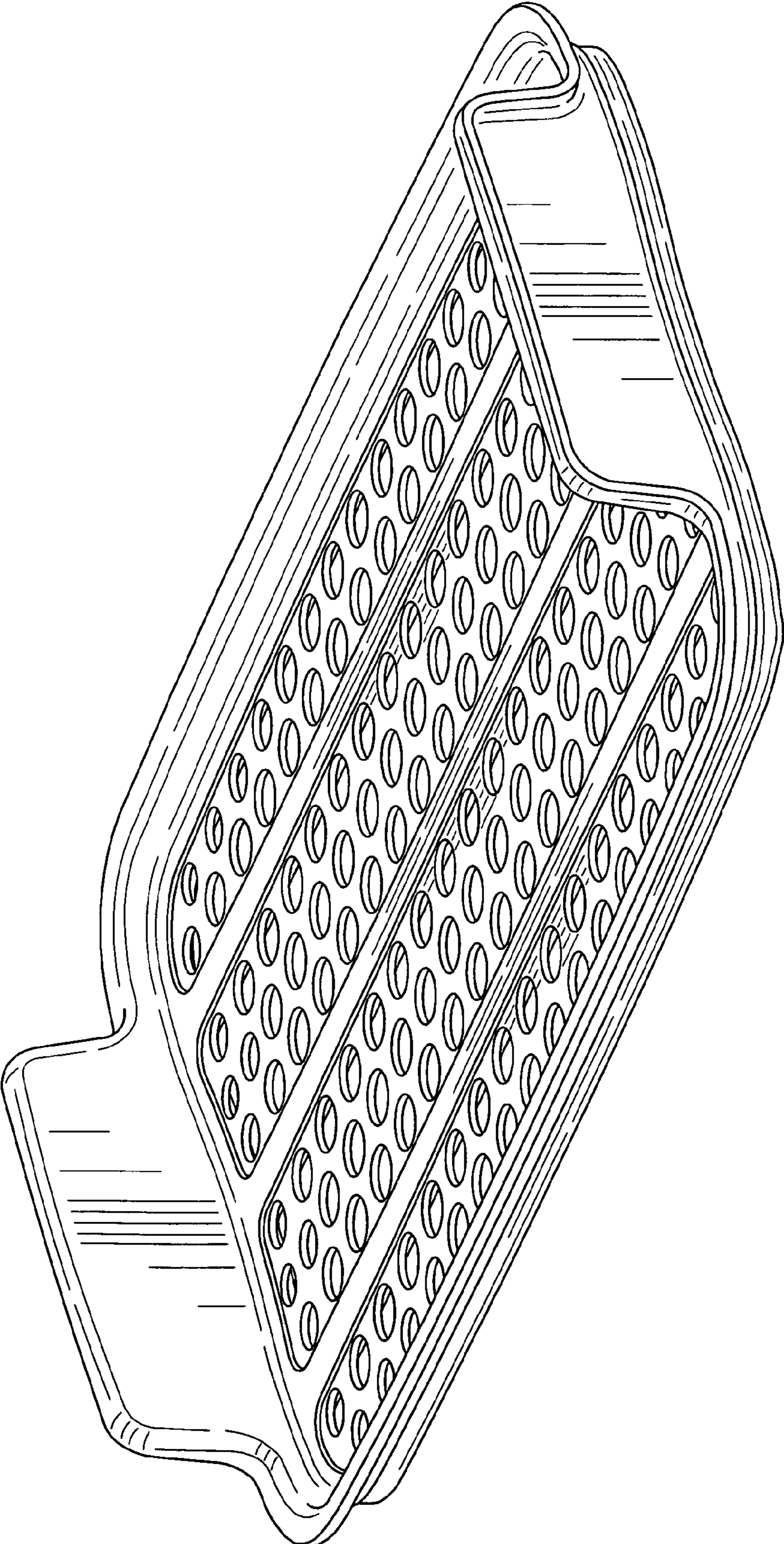


FIG. 1

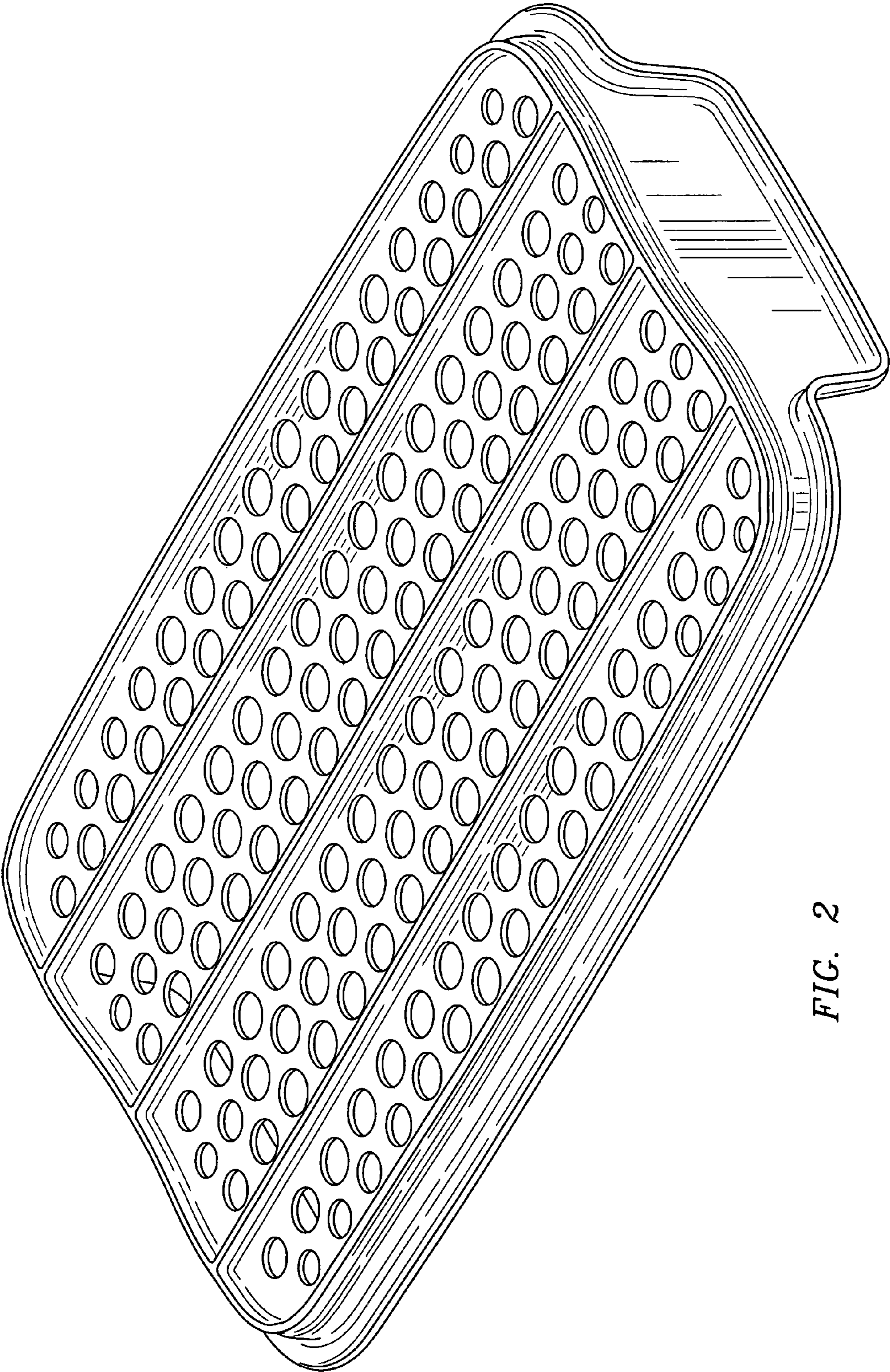


FIG. 2

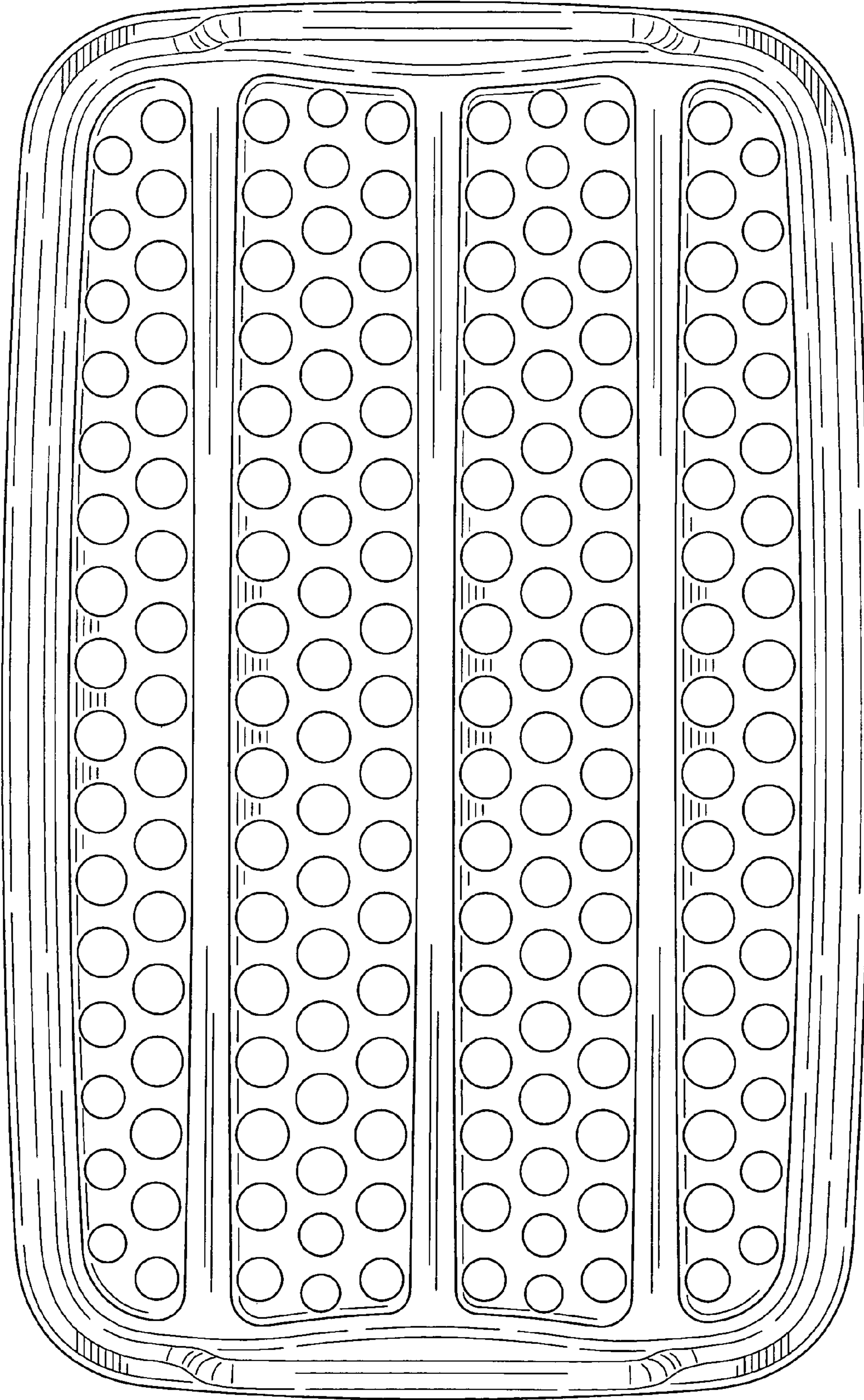


FIG. 3

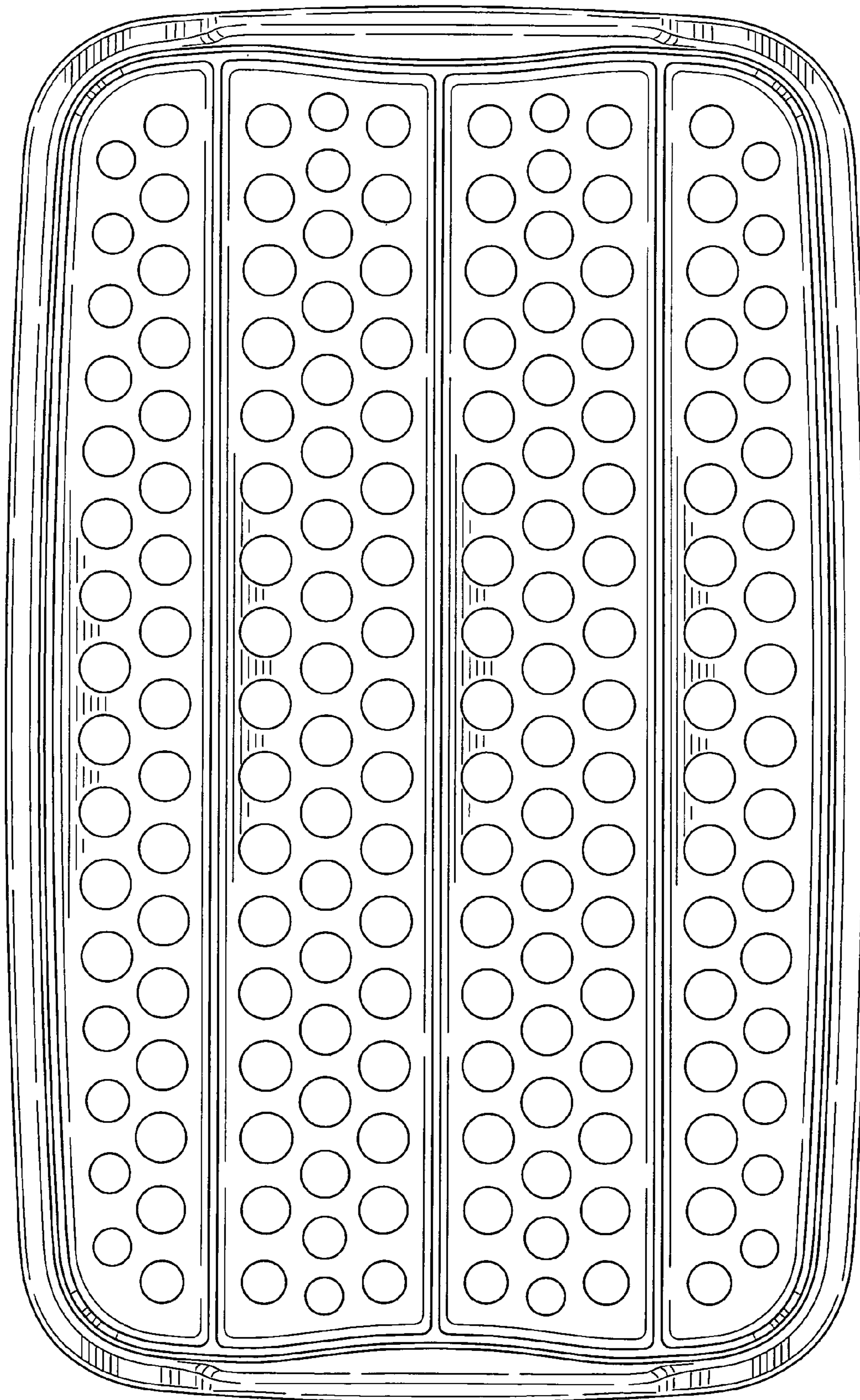


FIG. 4

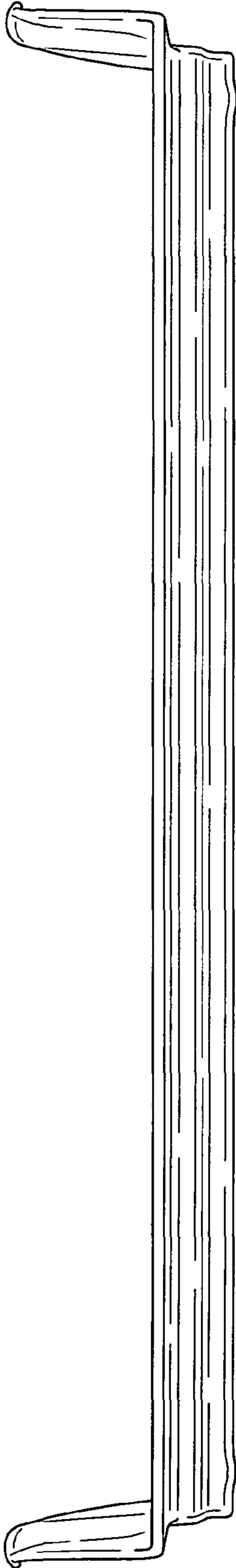


FIG. 5

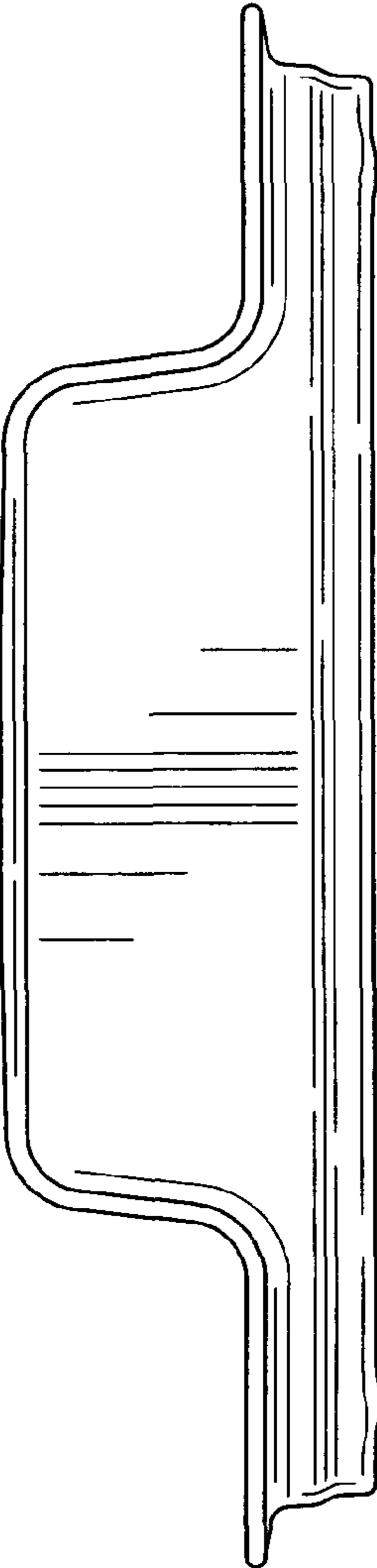


FIG. 6