

US00D662778S

(12) **United States Design Patent**
Sauer et al.

(10) **Patent No.:** **US D662,778 S**

(45) **Date of Patent:** **** Jul. 3, 2012**

(54) **DRINKING VESSEL**

(75) Inventors: **Filip Sauer**, Stockholm (SE); **Jonas Samrelius**, Stockholm (SE)

(73) Assignee: **BabyBjörn AB**, Solna (SE)

(**) Term: **14 Years**

(21) Appl. No.: **29/347,812**

(22) Filed: **Jun. 11, 2010**

(30) **Foreign Application Priority Data**

Dec. 14, 2009 (EM) 001647025-0001

(51) **LOC (9) Cl.** **07-01**

(52) **U.S. Cl.** **D7/514**

(58) **Field of Classification Search** D7/509,
D7/514, 523, 524, 500, 519; 73/426-429;
D10/101, 46.2, 46.3; D24/224, 216

See application file for complete search history.

(56) **References Cited**

U.S. PATENT DOCUMENTS

D236,311 S * 8/1975 Yamato D7/514
D439,112 S * 3/2001 Giraud D7/519
D520,302 S * 5/2006 Yeh D7/530
D533,471 S * 12/2006 Jordan D10/46.2

* cited by examiner

Primary Examiner — Terry Wallace

(74) *Attorney, Agent, or Firm* — Jacobson Holman PLLC

(57) **CLAIM**

The ornamental design for a drinking vessel, as shown and described.

DESCRIPTION

FIG. 1 is a top perspective view showing our new design for a drinking vessel,

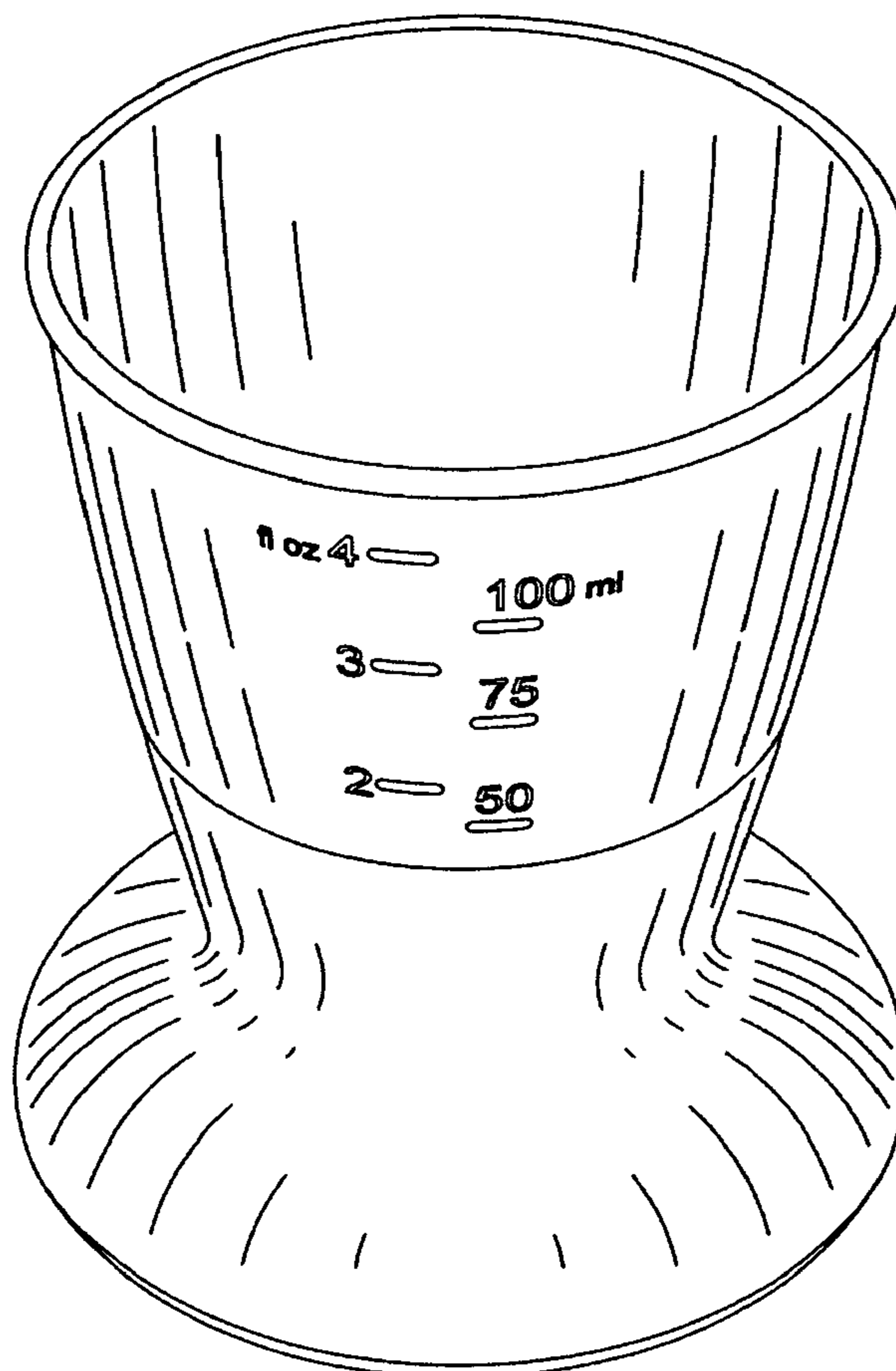
FIG. 2 is a bottom perspective view thereof,

FIG. 3 is a front view thereof,

FIG. 4 is a top view thereof; and,

FIG. 5 is a bottom view thereof.

1 Claim, 5 Drawing Sheets



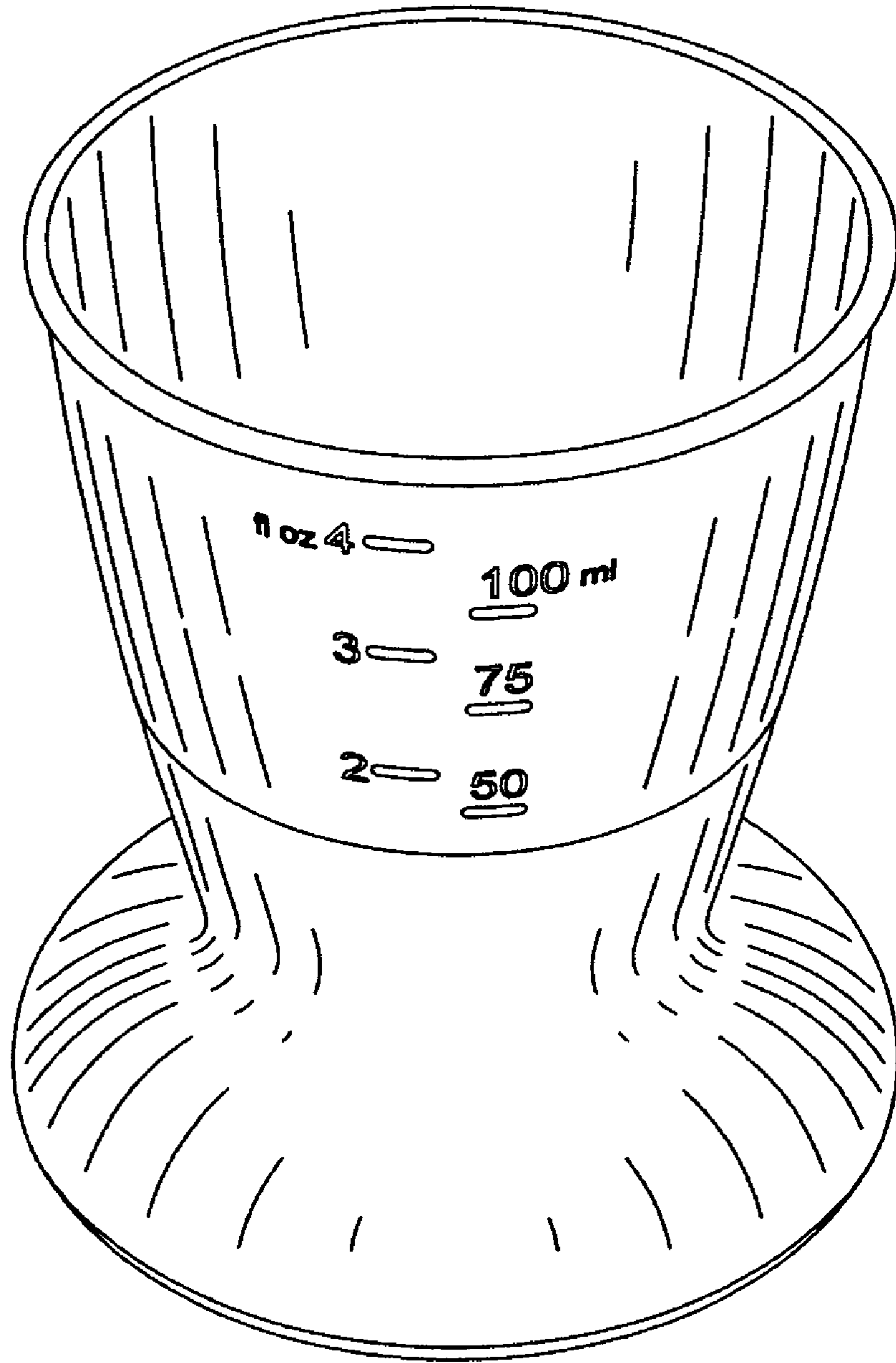


FIGURE 1

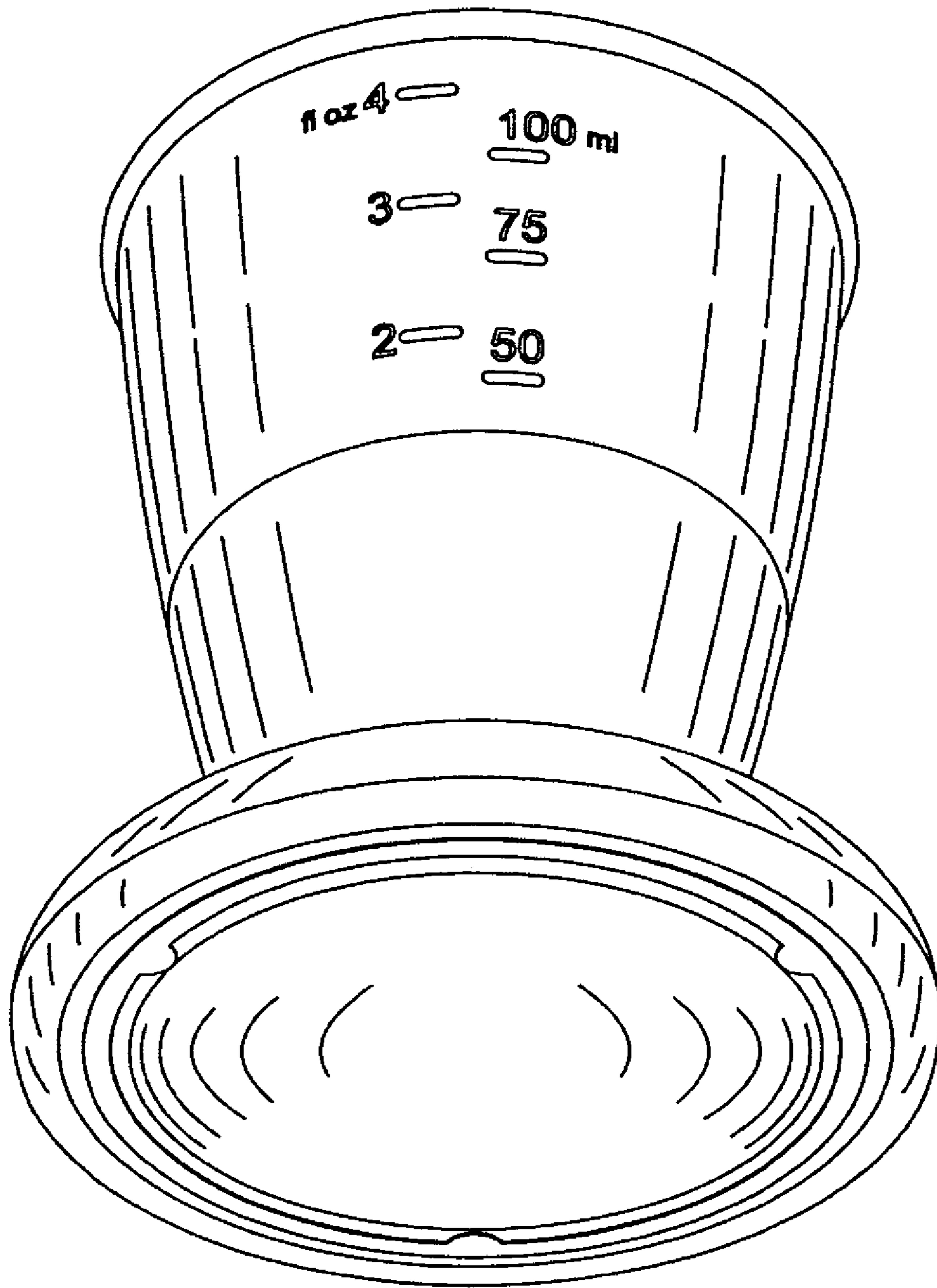


FIGURE 2

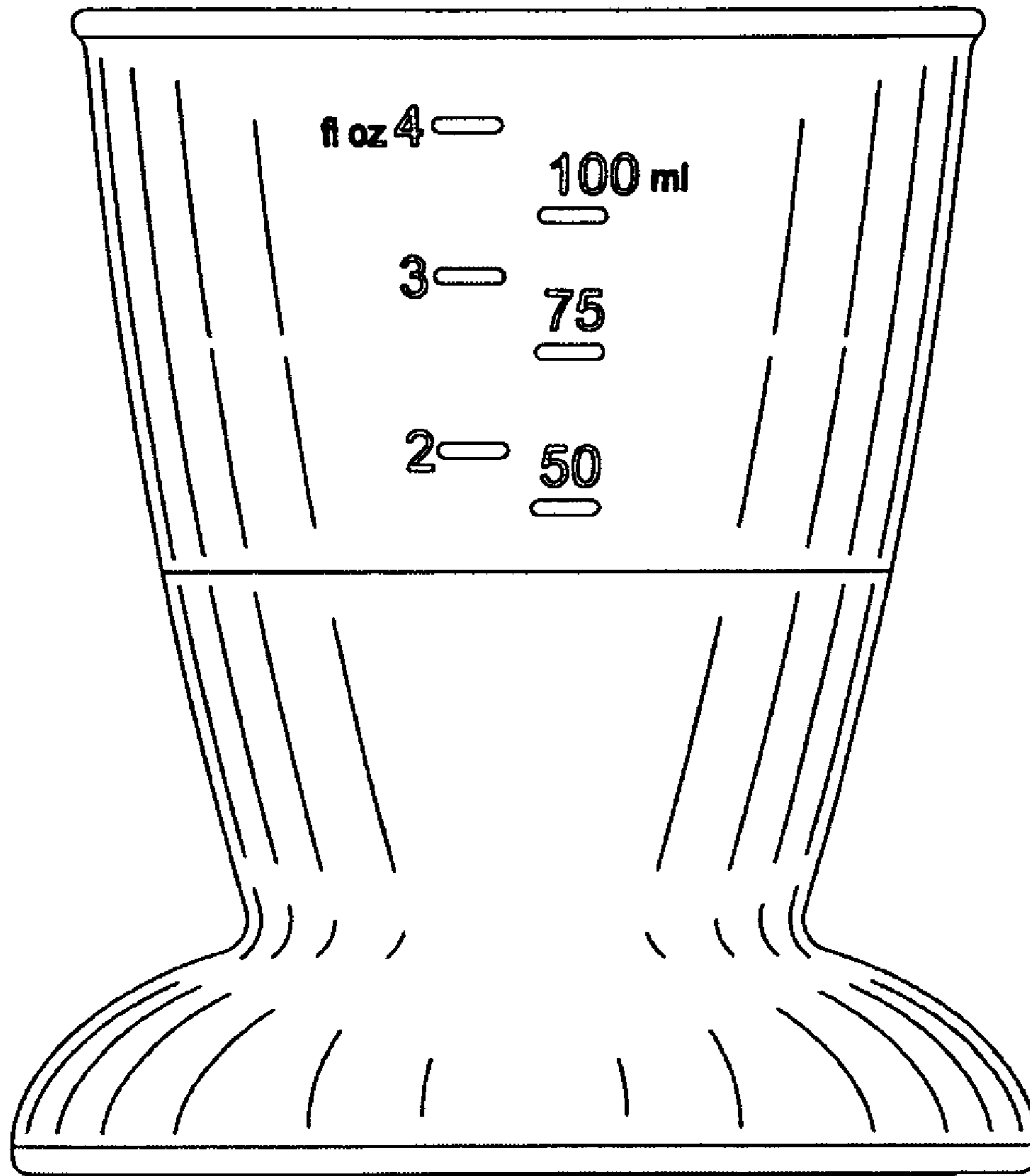


FIGURE 3

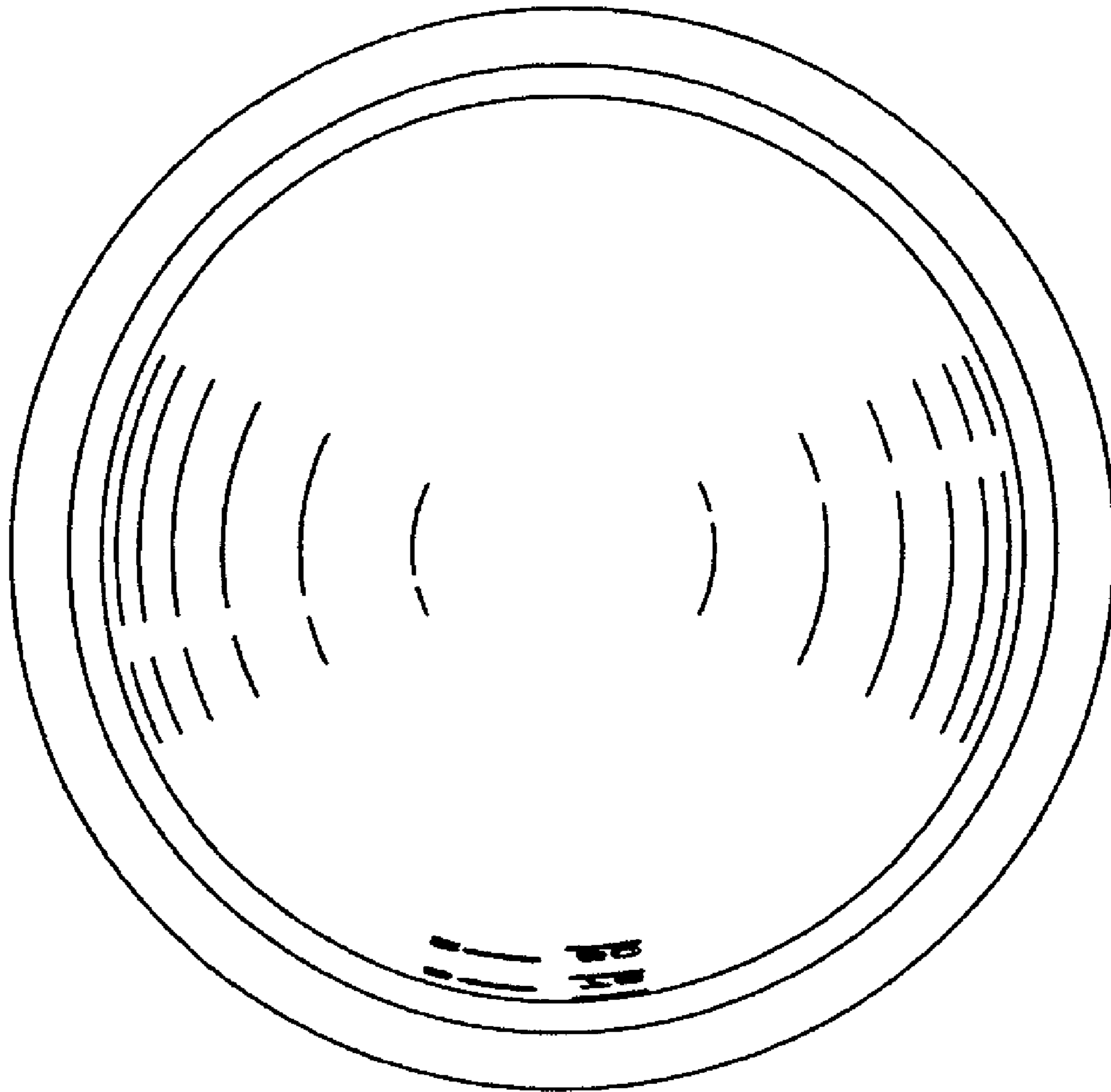


FIGURE 4

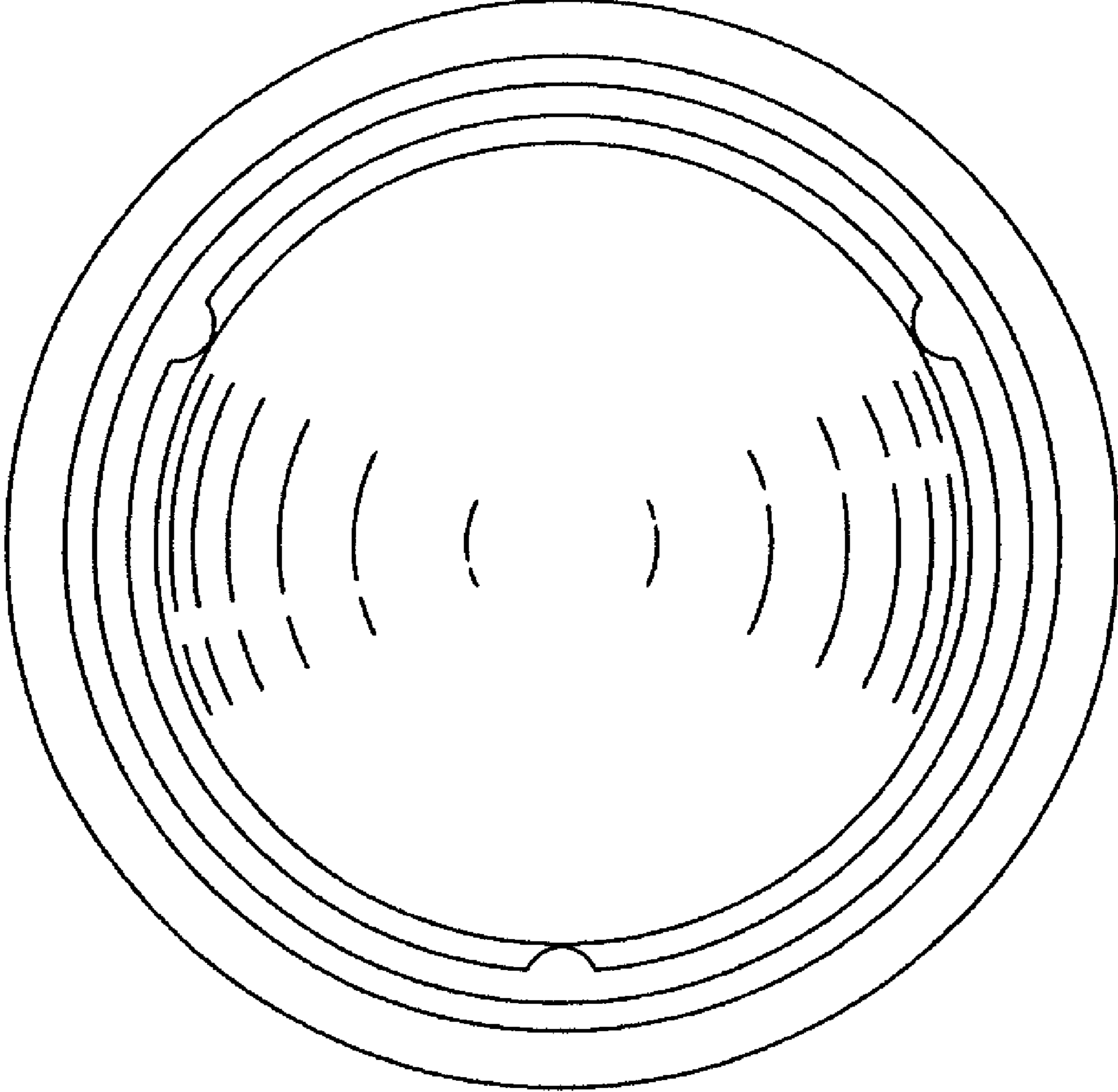


FIGURE 5