

US00D662777S

(12) **United States Design Patent**  
**Andrascik**

(10) **Patent No.:** **US D662,777 S**  
(45) **Date of Patent:** **\*\* Jul. 3, 2012**

(54) **COLLAPSIBLE CUP FOR GELATINOUS SUBSTANCE**

(76) Inventor: **David M. Andrascik**, North Versailles, PA (US)

(\*\*) Term: **14 Years**

(21) Appl. No.: **29/380,294**

(22) Filed: **Dec. 2, 2010**

(51) **LOC (9) Cl.** ..... **07-01**

(52) **U.S. Cl.** ..... **D7/512; D7/509; D9/433**

(58) **Field of Classification Search** ..... D7/512, D7/509; D9/429, 428, 702, 716, 503, 433, D9/431; 229/400, 108; 220/717; 383/35  
See application file for complete search history.

5,697,549 A *	12/1997	Yocum	.....	229/400
D411,079 S *	6/1999	Graham	.....	D7/624.2
D495,209 S *	8/2004	Tranfaglia et al.	.....	D7/512
D547,805 S *	7/2007	Killinger et al.	.....	D19/85
D571,612 S *	6/2008	Wood	.....	D7/515
D578,829 S *	10/2008	Freeman	.....	D7/584
D592,495 S *	5/2009	Reiterer et al.	.....	D9/416
D600,072 S *	9/2009	Hayes et al.	.....	D7/509
D605,895 S *	12/2009	Abbott	.....	D7/511

\* cited by examiner

*Primary Examiner* — Marianne Pandozzi

(74) *Attorney, Agent, or Firm* — The Webb Law Firm

(57) **CLAIM**

The ornamental design for a collapsible cup for gelatinous substance, as shown.

(56) **References Cited**

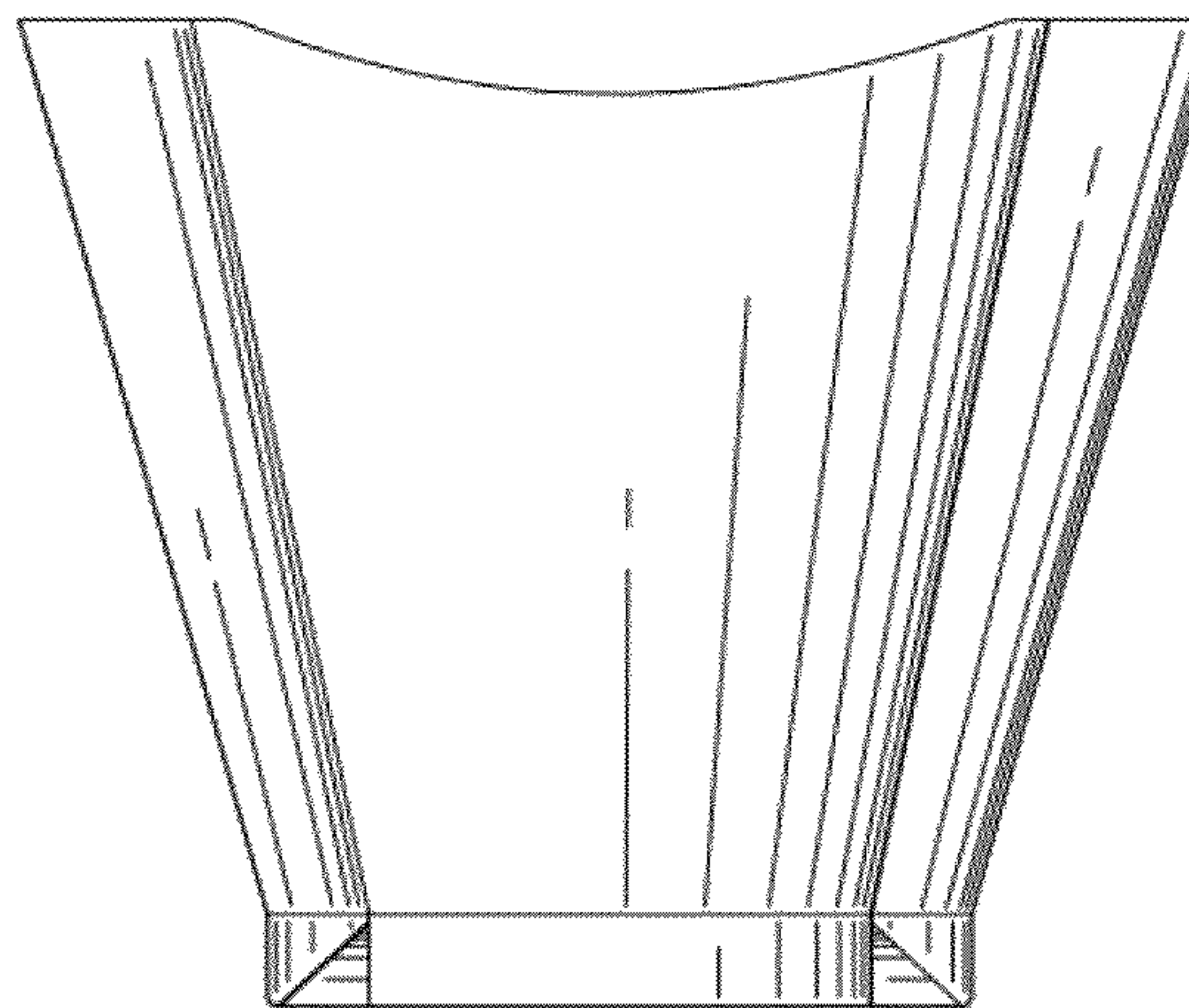
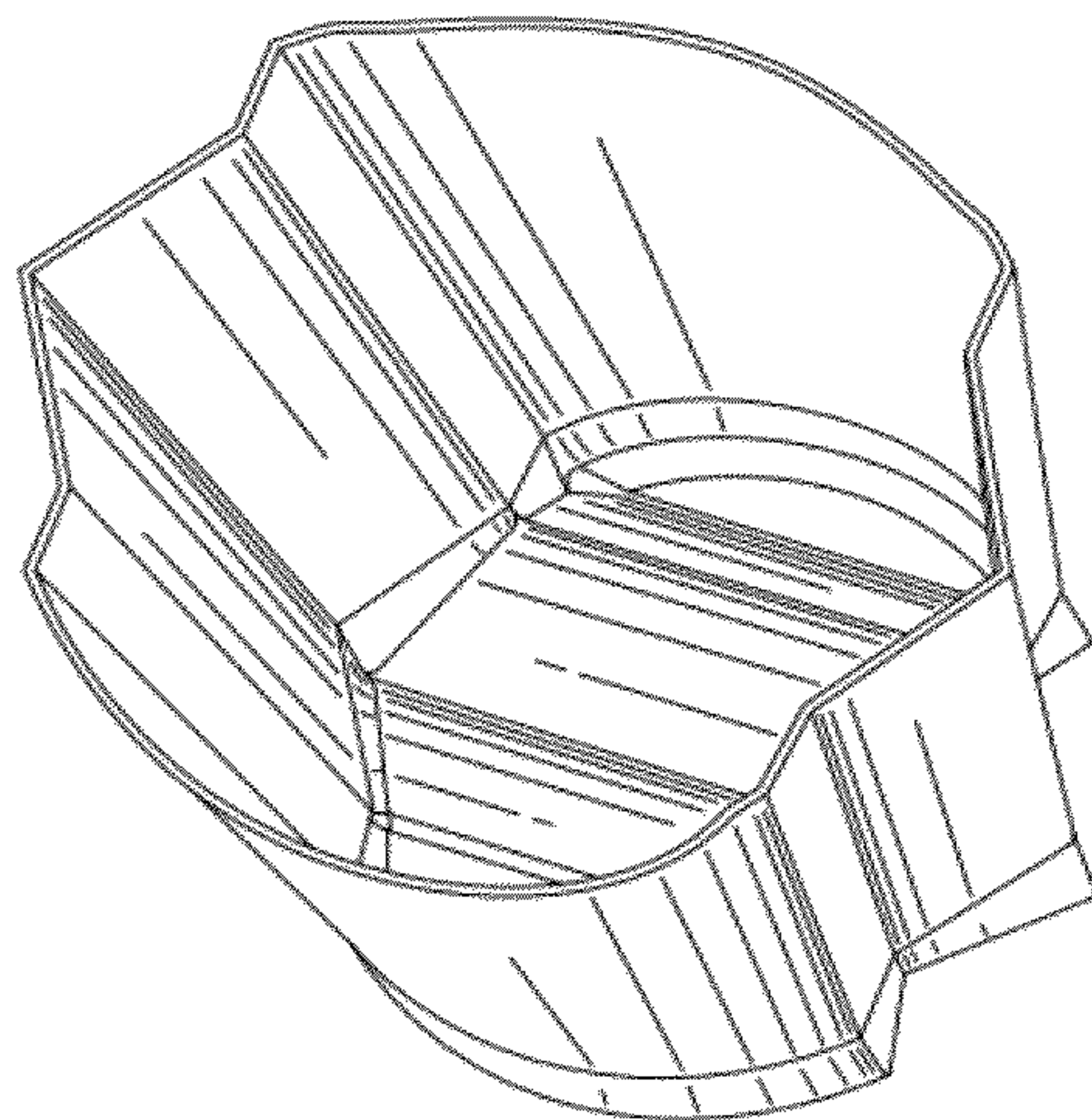
**U.S. PATENT DOCUMENTS**

1,113,660 A *	10/1914	Lerio	.....	229/402
1,171,431 A *	2/1916	Gorton	.....	229/400
D204,212 S *	3/1966	Davis	.....	D9/429
3,373,917 A *	3/1968	Cox	.....	229/117.27
D253,872 S *	1/1980	Reynolds	.....	D9/428
4,185,764 A *	1/1980	Cote	.....	229/117.03
4,360,146 A *	11/1982	Koltz	.....	229/109
D277,262 S *	1/1985	Jones	.....	D9/712
4,714,190 A *	12/1987	Morrocco	.....	229/404
4,910,913 A *	3/1990	Streeter	.....	47/72
D313,479 S *	1/1991	Goldberg	.....	D26/16

**DESCRIPTION**

FIG. 1 is a front perspective view of a collapsible cup for gelatinous substance showing my new design;  
FIG. 2 is a front view thereof;  
FIG. 3 is a rear view thereof;  
FIG. 4 is a right side view thereof;  
FIG. 5 is a left side view thereof;  
FIG. 6 is a top plan view thereof; and,  
FIG. 7 is a bottom plan view thereof.

**1 Claim, 4 Drawing Sheets**





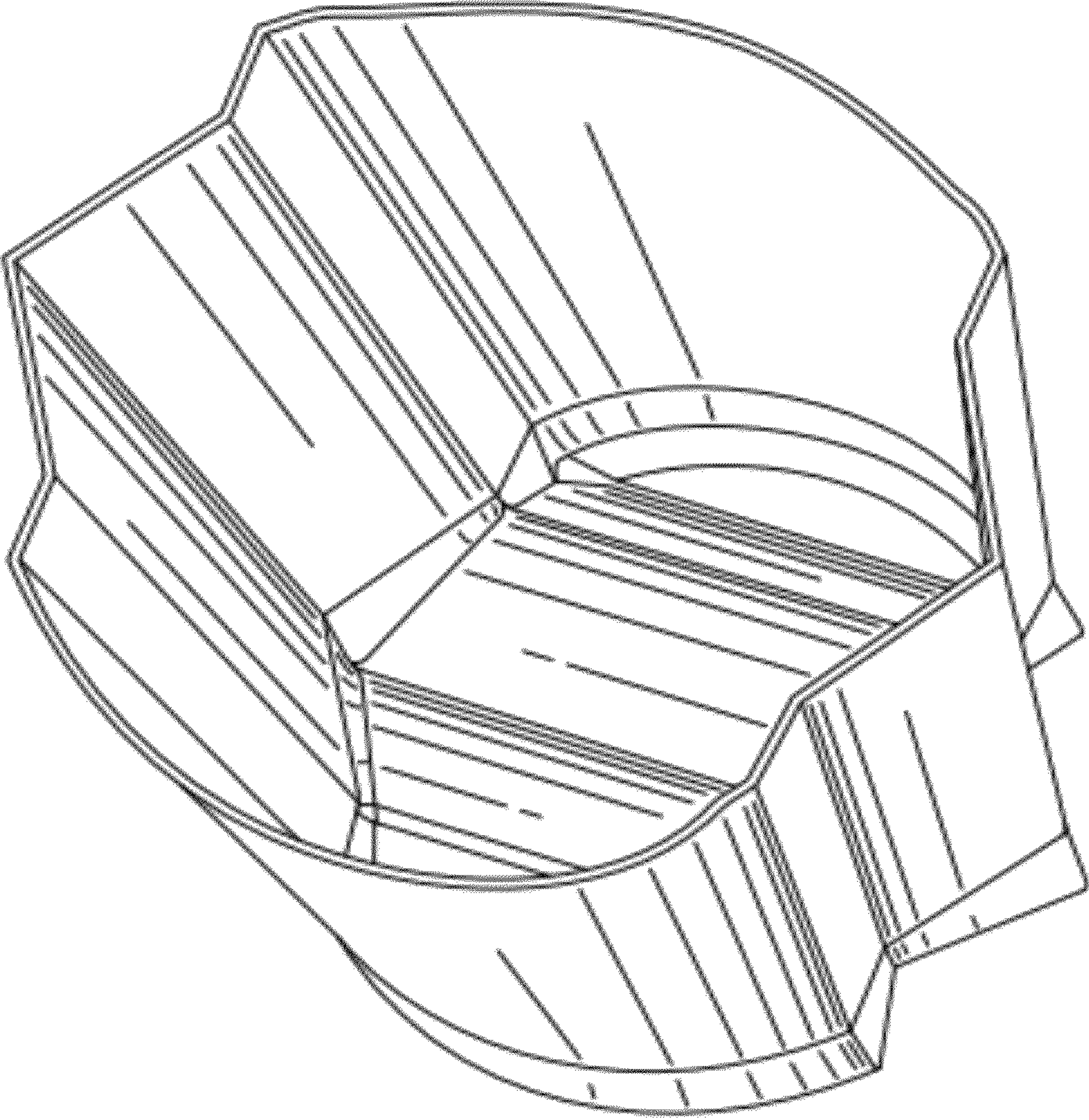


Fig. 1



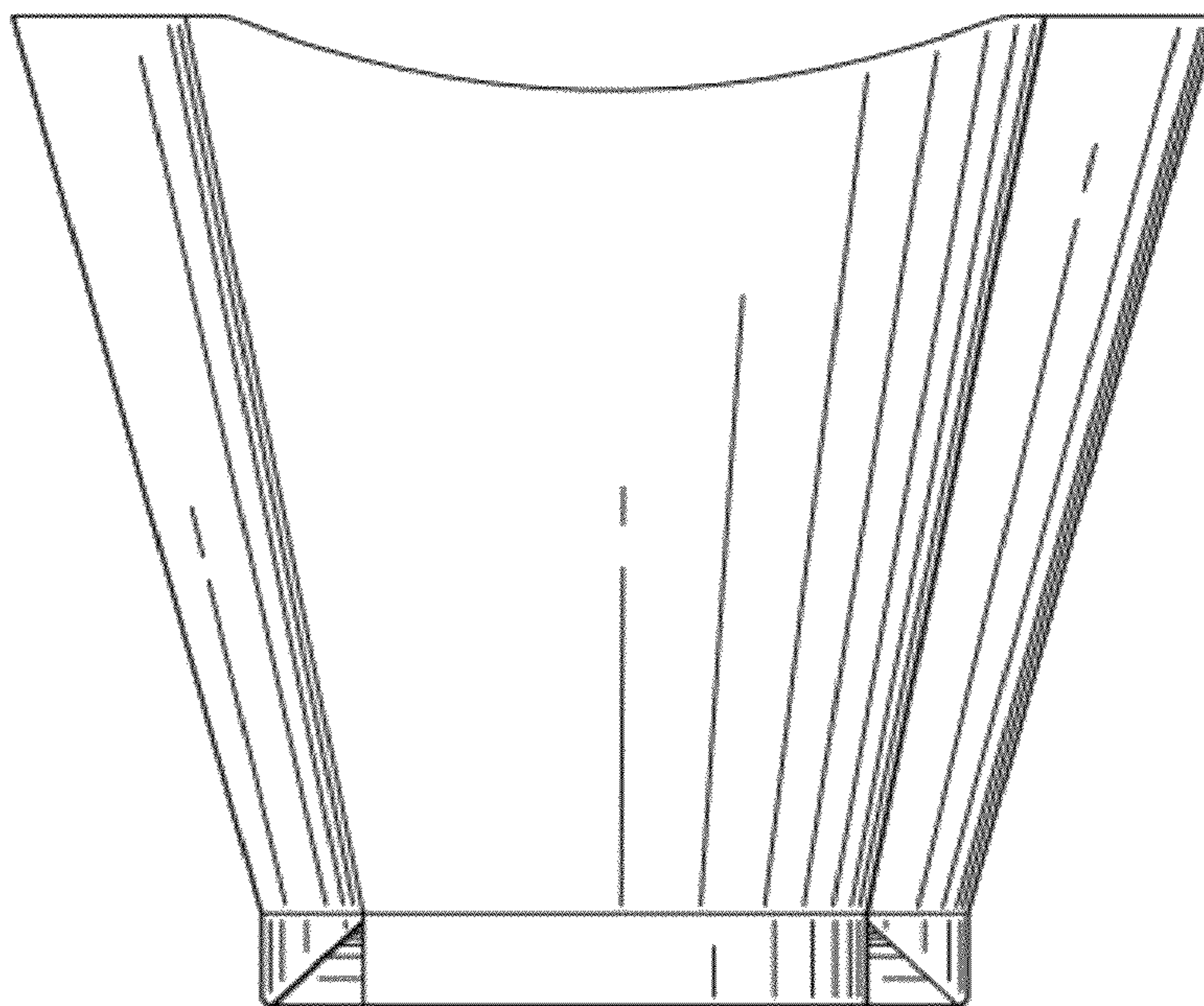


Fig. 2

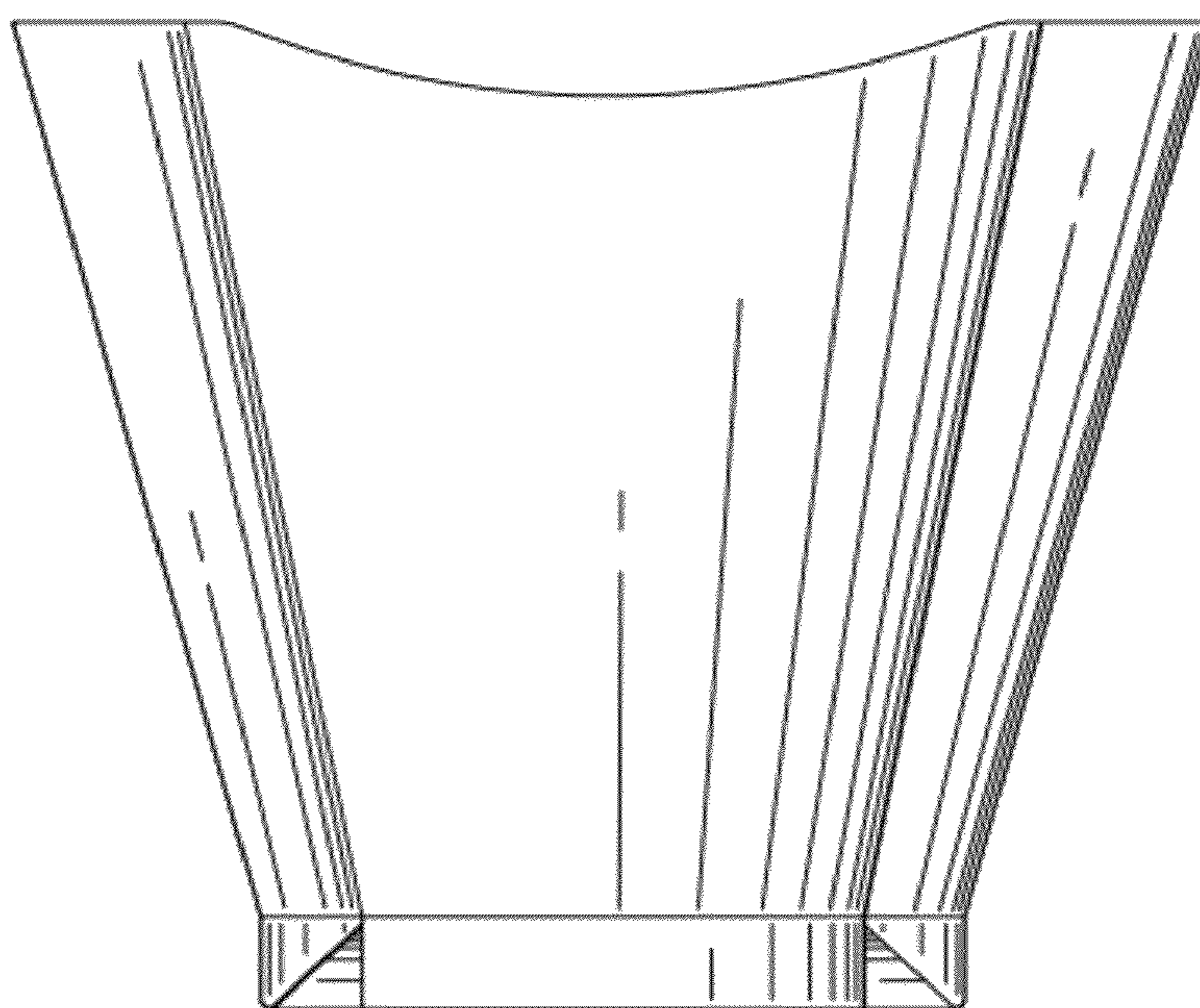


Fig. 3

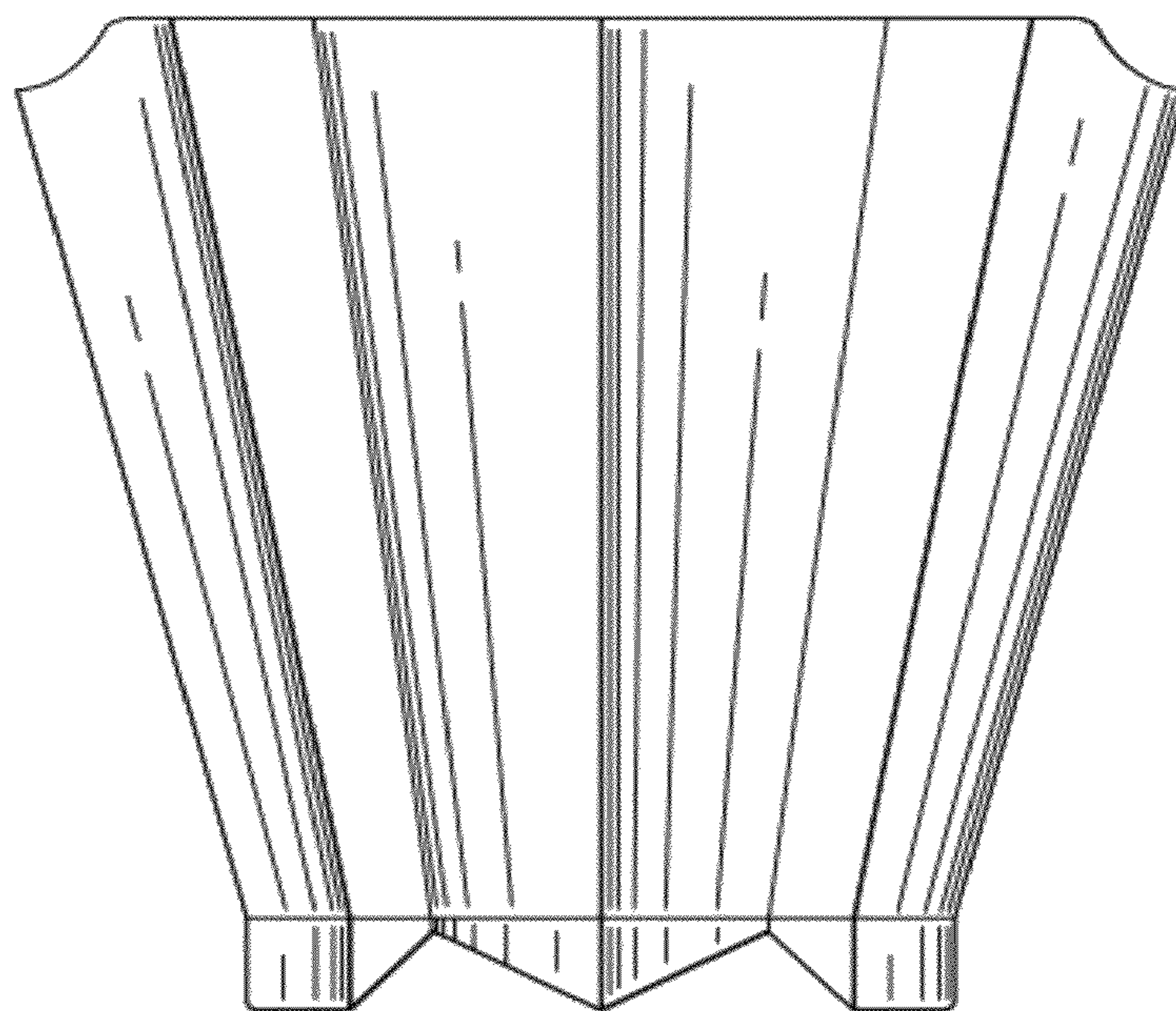


Fig. 4

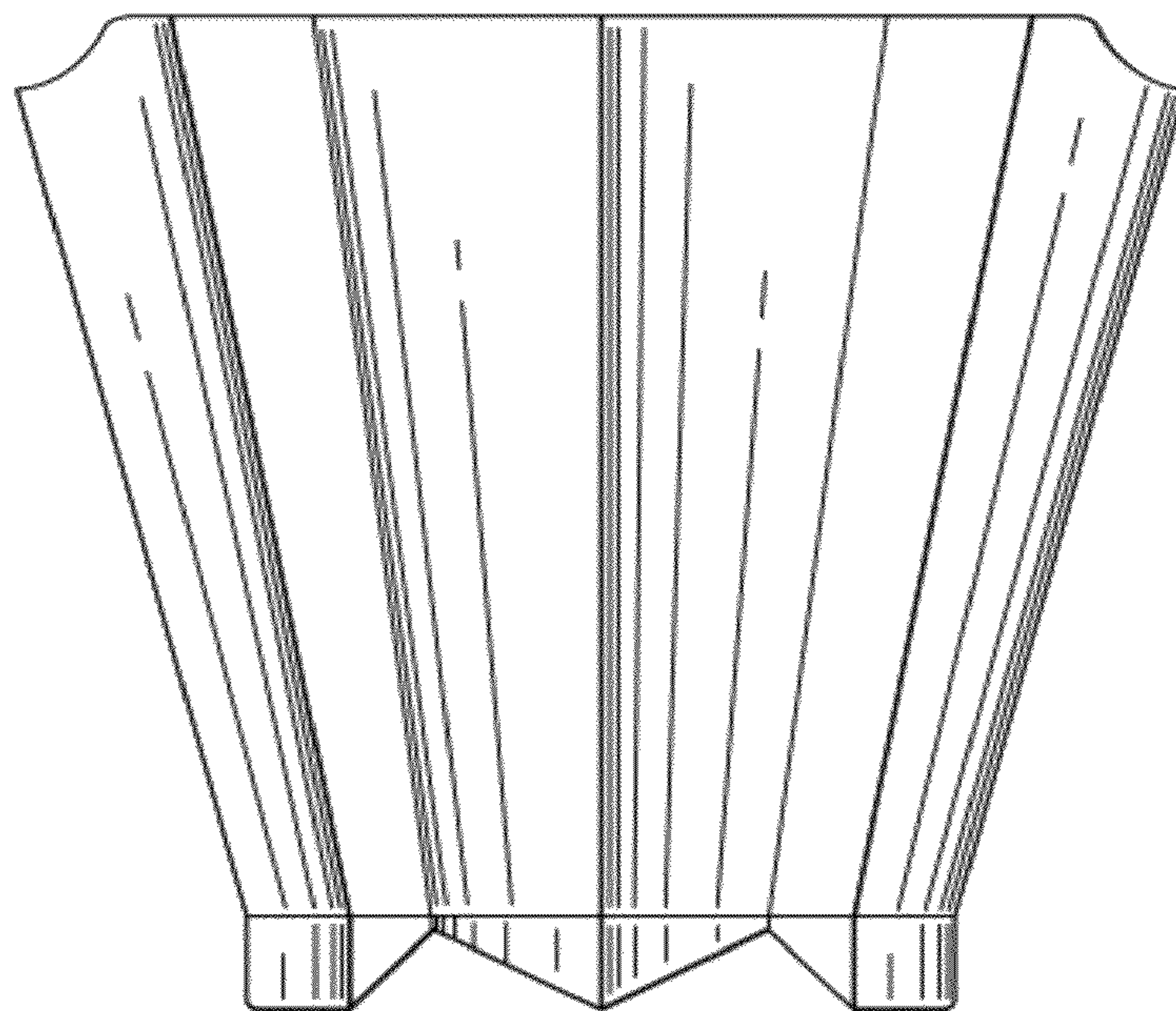


Fig. 5



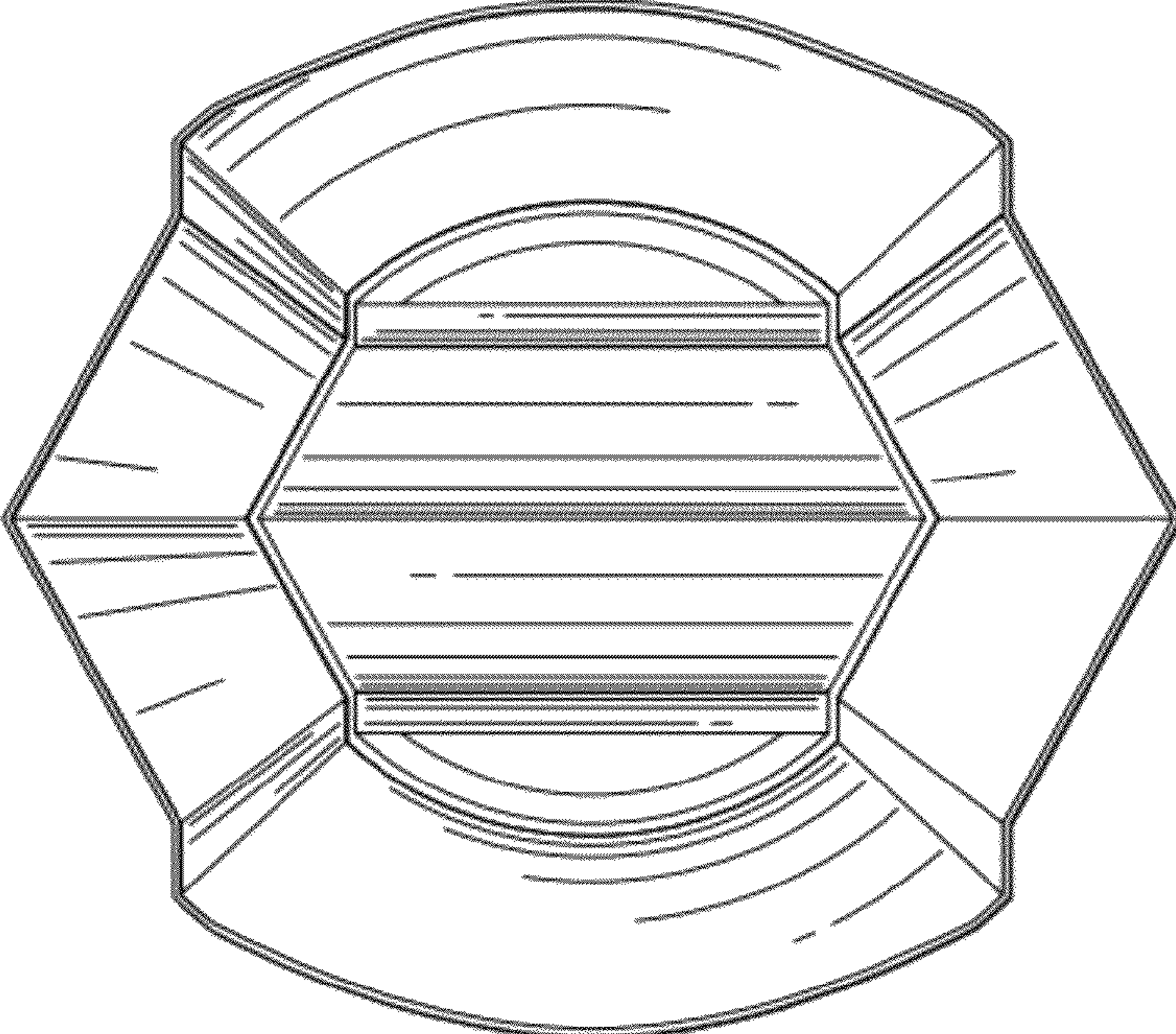


Fig. 6

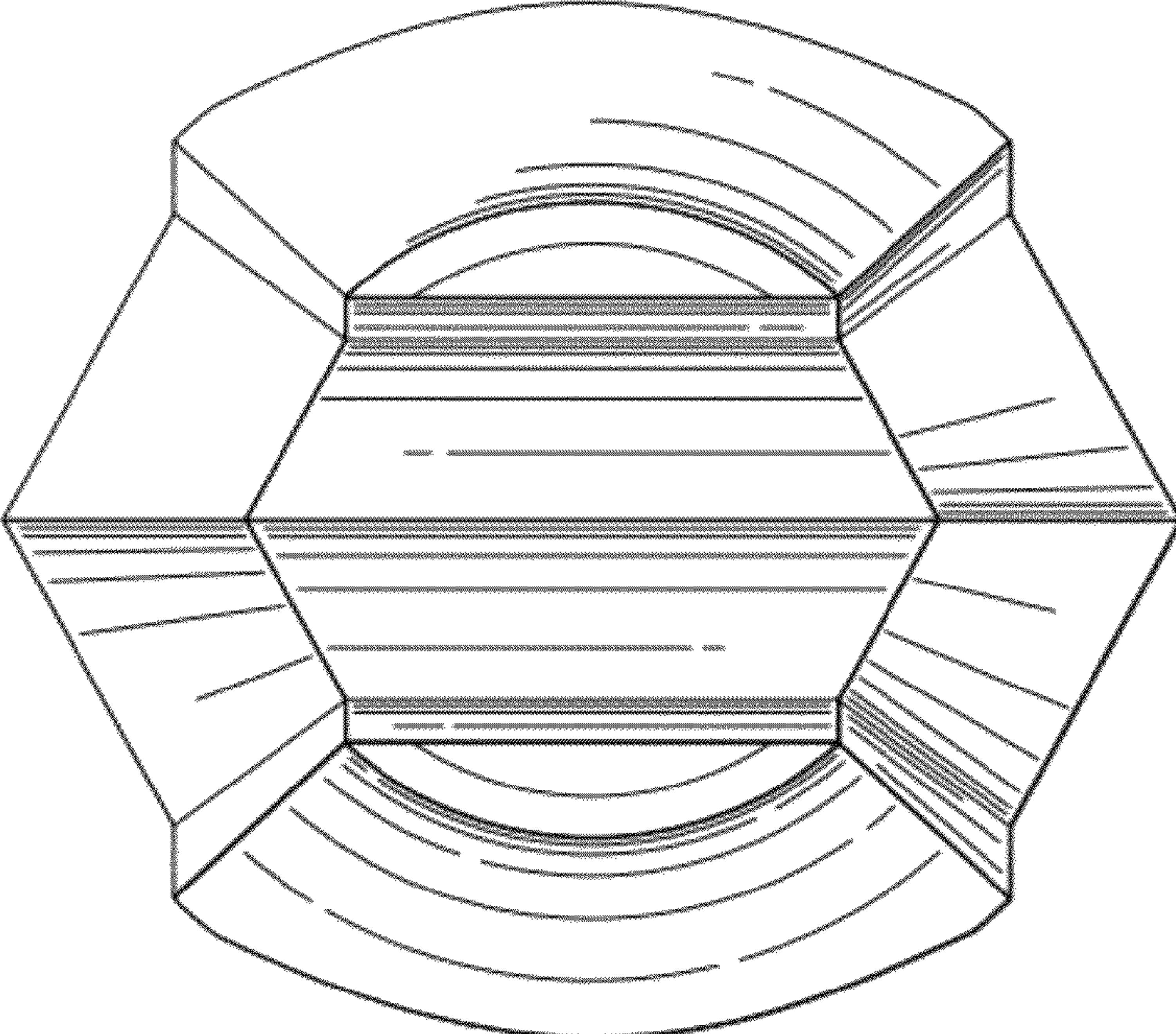


Fig. 7