

US00D662773S

(12) **United States Design Patent**
Simms, II

(10) **Patent No.:** **US D662,773 S**
(45) **Date of Patent:** **** Jul. 3, 2012**

(54) **SET OF SMOKE STACKS FOR A DUAL GRILL**

(76) Inventor: **John Lee Simms, II**, Atlanta, GA (US)

(**) Term: **14 Years**

(21) Appl. No.: **29/392,027**

(22) Filed: **May 16, 2011**

Related U.S. Application Data

(63) Continuation-in-part of application No. 11/193,320, filed on Jul. 30, 2005.

(51) **LOC (9) Cl.** **07-02**

(52) **U.S. Cl.** **D7/402**

(58) **Field of Classification Search** D7/332,
D7/334-337, 402-405, 338, 417; 126/25 R,
126/25 A, 25 AA, 25 B, 273 R, 9 R, 38, 40,
126/50, 9 B, 48, 29-30, 43-44, 26, 372, 314,
126/307 R, 312, 292; 99/339, 448, 449,
99/481-482, 516, 340-341; 431/331

See application file for complete search history.

(56) **References Cited**

U.S. PATENT DOCUMENTS

D165,998	S	*	2/1952	Pollard	D7/334
2,666,426	A	*	1/1954	Pollard	126/25 R
2,687,716	A	*	8/1954	Wong	126/345
2,817,331	A		12/1957	Kaplan et al.		
2,902,026	A	*	9/1959	Hathorn, Jr.	126/25 R
2,903,549	A		9/1959	Joseph		
D196,553	S	*	10/1963	Mayer	D7/334
3,477,580	A	*	11/1969	Willinger	210/167.23
3,541,947	A		11/1970	Anderson		
D229,660	S	*	12/1973	Gammon	D7/332
3,802,413	A		4/1974	Pepin		
3,868,942	A	*	3/1975	Lewis	126/25 R
D235,088	S	*	5/1975	Erickson	D7/332
4,090,490	A	*	5/1978	Riley et al.	126/25 R
4,170,173	A	*	10/1979	Bradford	99/341
D255,863	S	*	7/1980	Futch	D7/334
4,392,419	A		7/1983	Bonny		

4,665,891	A	*	5/1987	Nemec et al.	126/25 R
4,677,964	A		7/1987	Lohmeyer et al.		
4,700,618	A		10/1987	Cox, Jr.		
4,773,319	A		9/1988	Holland		
4,809,671	A		3/1989	Vallejo, Jr.		
4,878,477	A		11/1989	McLane		
4,886,045	A		12/1989	Ducate et al.		
4,934,333	A		6/1990	Ducate et al.		
5,070,857	A	*	12/1991	Sarten	126/25 R
5,076,252	A		12/1991	Schlosser et al.		
5,195,423	A		3/1993	Beller		
5,213,027	A		5/1993	Tsotsos et al.		
5,460,159	A		10/1995	Bussey		
5,481,964	A		1/1996	Kitten		
5,528,984	A		6/1996	Saurwein		
5,566,606	A		10/1996	Johnston		
5,706,797	A		1/1998	Moore, Jr. et al.		
5,752,497	A	*	5/1998	Combs et al.	126/25 R
5,768,977	A		6/1998	Parris et al.		

(Continued)

OTHER PUBLICATIONS

U.S. Appl. No. 60/592,428, filed Jul. 31, 2004, Simms, II.

(Continued)

Primary Examiner — Ruth McInroy

(74) *Attorney, Agent, or Firm* — Lee & Hayes, PLLC

(57) **CLAIM**

The ornamental design set of smoke stacks for a dual grill, as shown and described.

DESCRIPTION

FIG. 1 is a perspective view set of smoke stacks for a dual grill.

FIG. 2 is a front view thereof.

FIG. 3 is a rear view thereof.

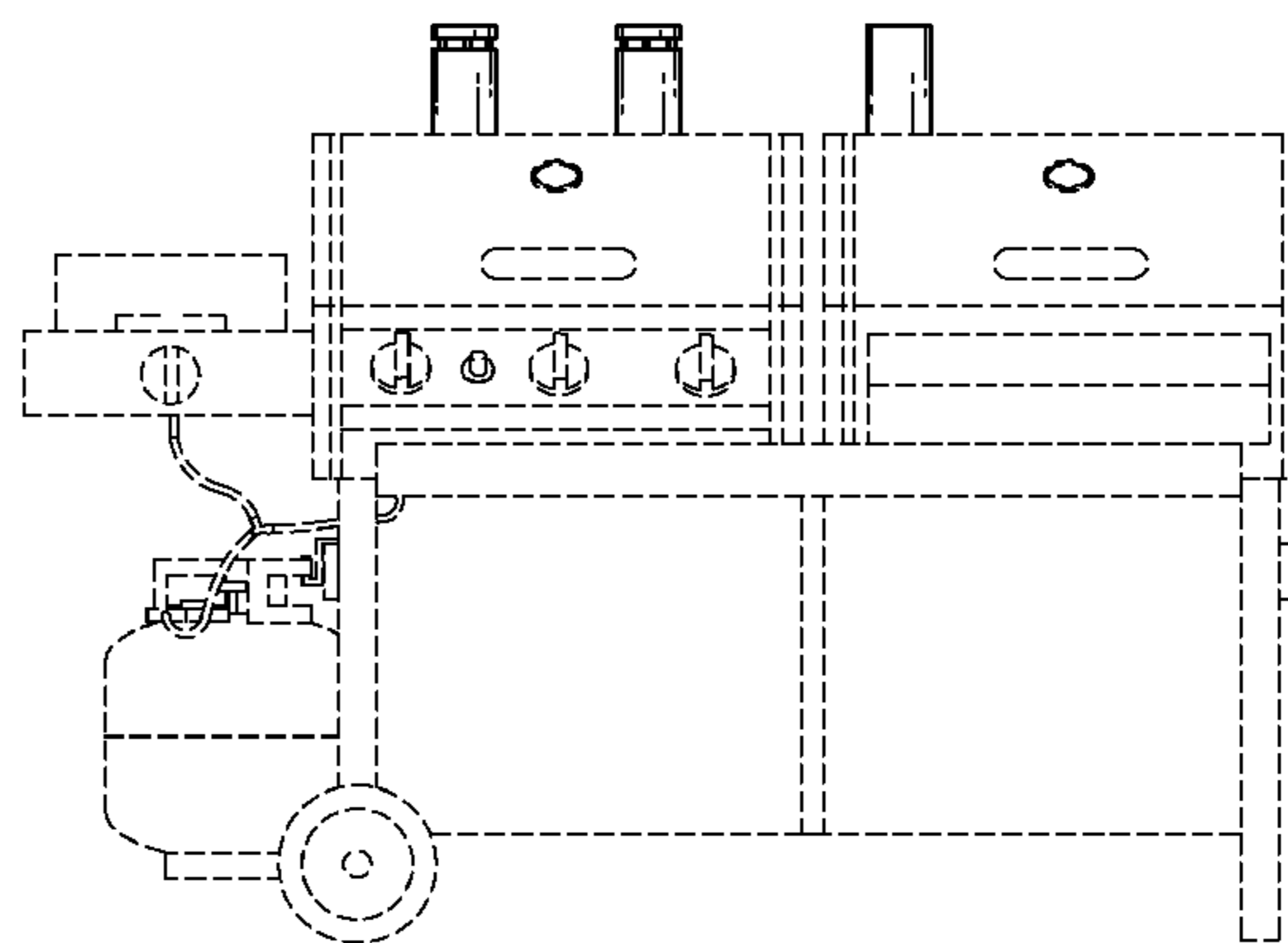
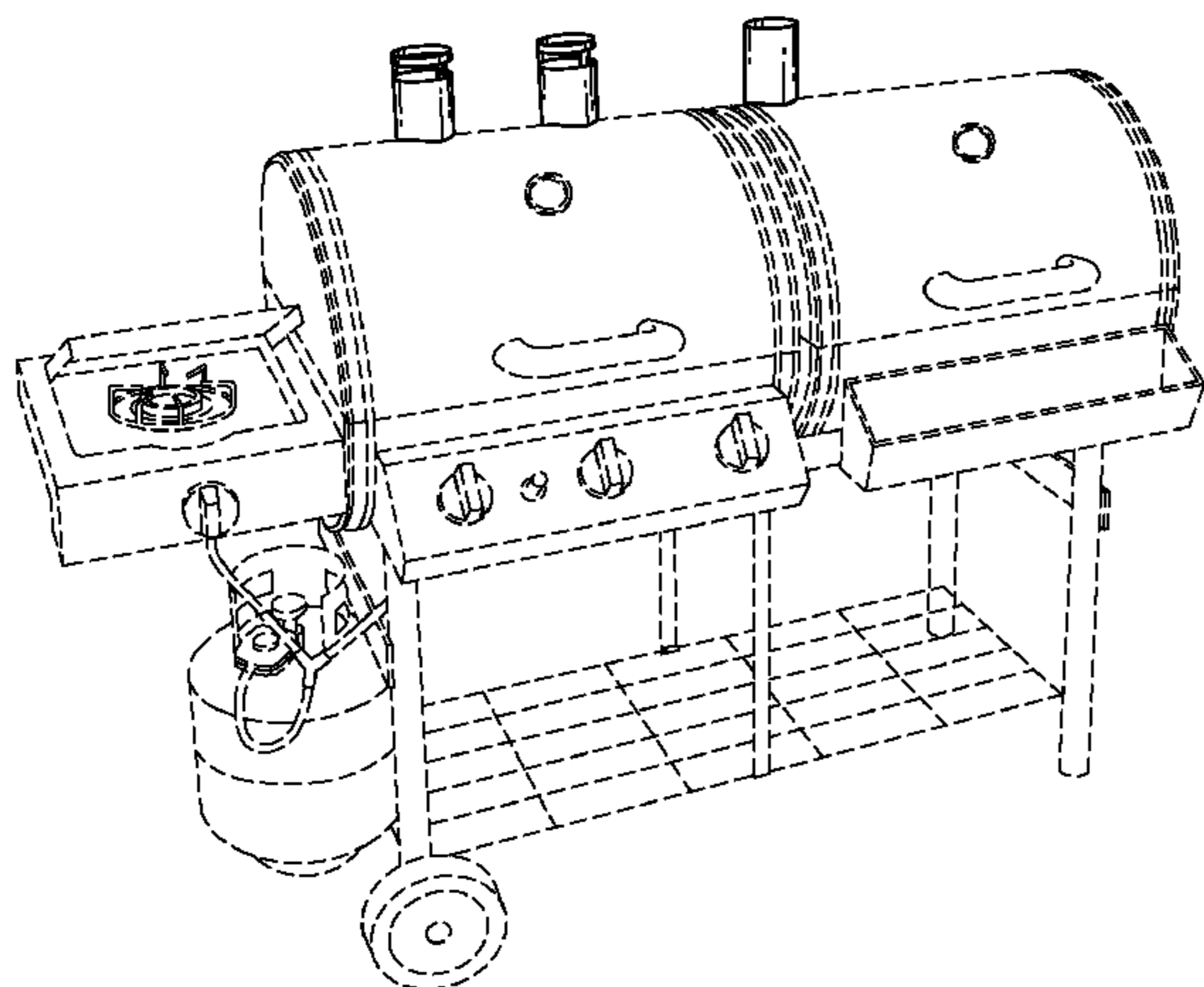
FIG. 4 is a left side view thereof.

FIG. 5 is a right side view thereof.

FIG. 6 is a top view thereof; and,

FIG. 7 is a bottom view thereof.

1 Claim, 3 Drawing Sheets



US D662,773 S

Page 2

U.S. PATENT DOCUMENTS

5,893,357 A 4/1999 Royer et al.
6,039,039 A 3/2000 Pina, Jr.
6,103,289 A 8/2000 Tippmann et al.
6,145,431 A 11/2000 Tippmann et al.
6,189,528 B1* 2/2001 Oliver 126/25 R
6,209,533 B1 4/2001 Ganard
6,257,130 B1 7/2001 Schlosser
D447,913 S* 9/2001 Cragg D7/402
6,439,221 B1 8/2002 Ward et al.
6,508,165 B2 1/2003 Johnson
6,523,461 B1 2/2003 Johnston et al.
6,557,545 B2 5/2003 Williams
6,564,793 B2 5/2003 DeClue
6,606,986 B2* 8/2003 Holland et al. 126/25 R
6,626,089 B1 9/2003 Hubert
D483,602 S* 12/2003 Murray D7/334
6,681,759 B2* 1/2004 Bentulan 126/25 R

D491,410 S* 6/2004 Saunders D7/334
6,820,538 B2 11/2004 Roescher
7,159,509 B2 1/2007 Starkey
D607,263 S* 1/2010 Antwine D7/334
D636,217 S* 4/2011 Slater et al. D7/334
2002/0106428 A1 8/2002 Szyjkowski
2003/0019492 A1* 1/2003 Williams 126/41 R
2010/0083947 A1* 4/2010 Guillory et al. 126/25 R
2010/0258106 A1* 10/2010 Simms, II 126/25 R

OTHER PUBLICATIONS

U.S. Appl. No. 60/592,429, filed Jul. 31, 2004, Simms, II.
U.S. Appl. No. 11/193,320, filed Jul. 30, 2005, Simms, II.
U.S. Appl. No. 29/392,019, filed May 16, 2011, Simms, II.
Hughes, R., "Be A Grill Master," *Vertical*, Jul./Aug. 2010, 2 pages.

* cited by examiner

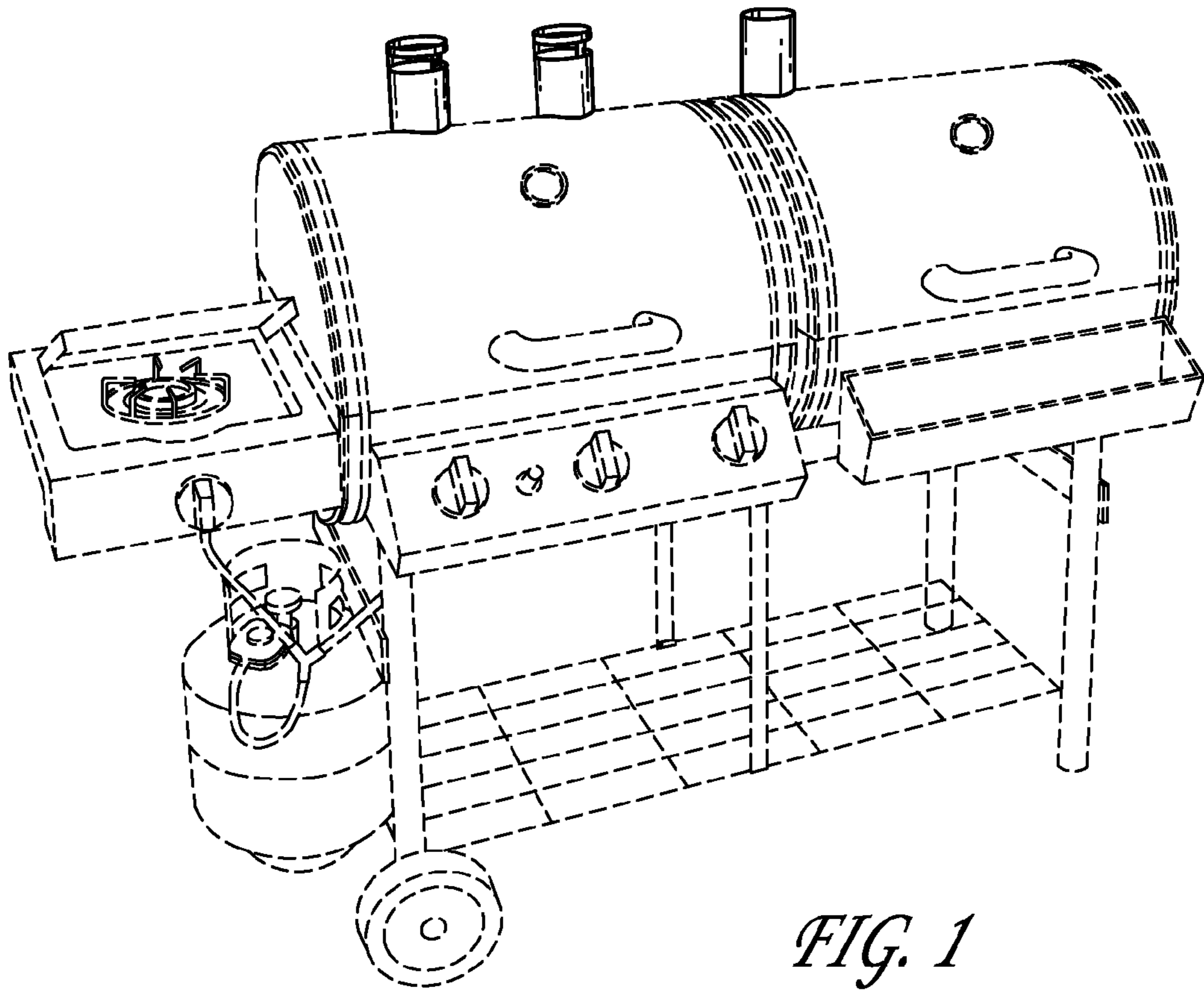


FIG. 1

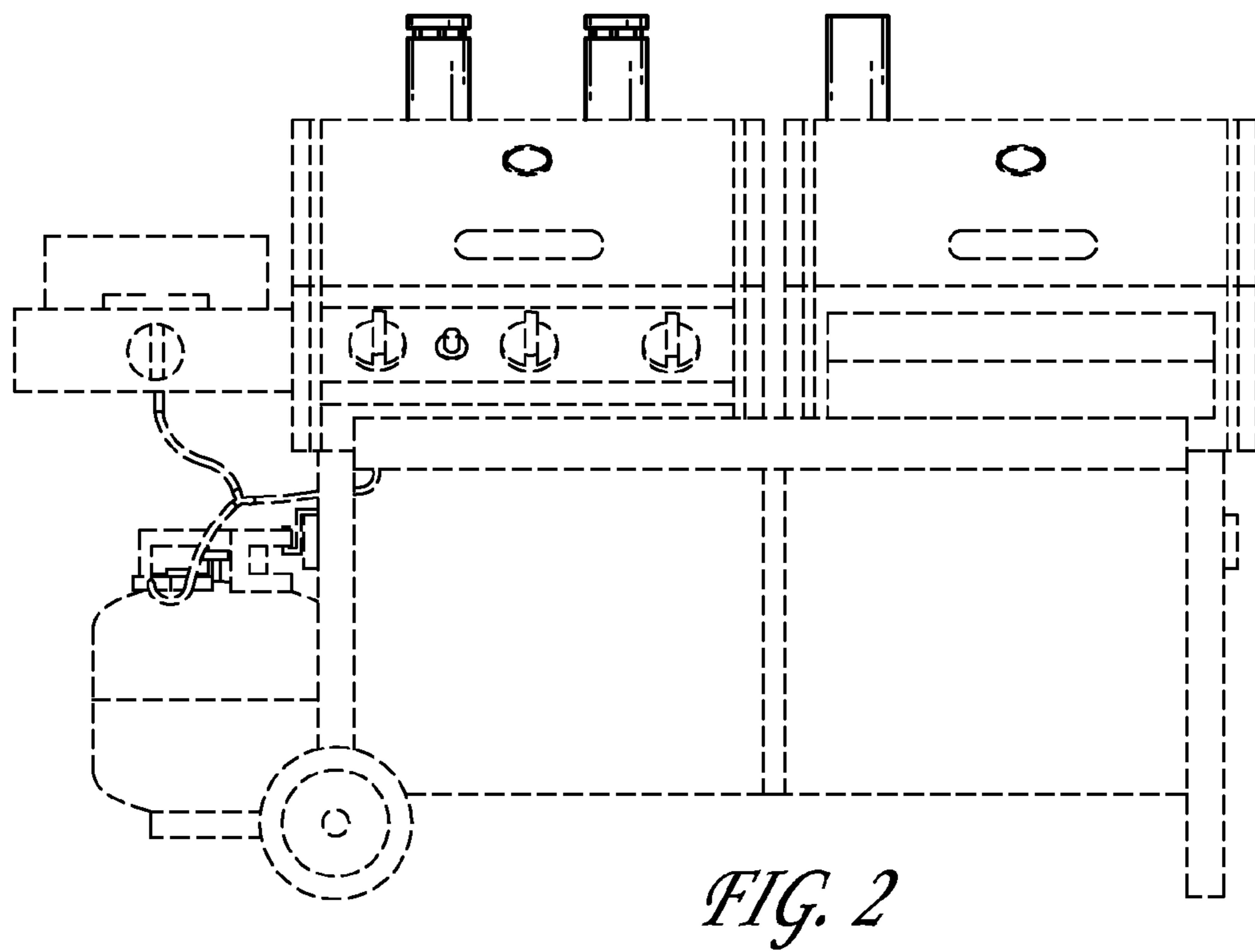


FIG. 2

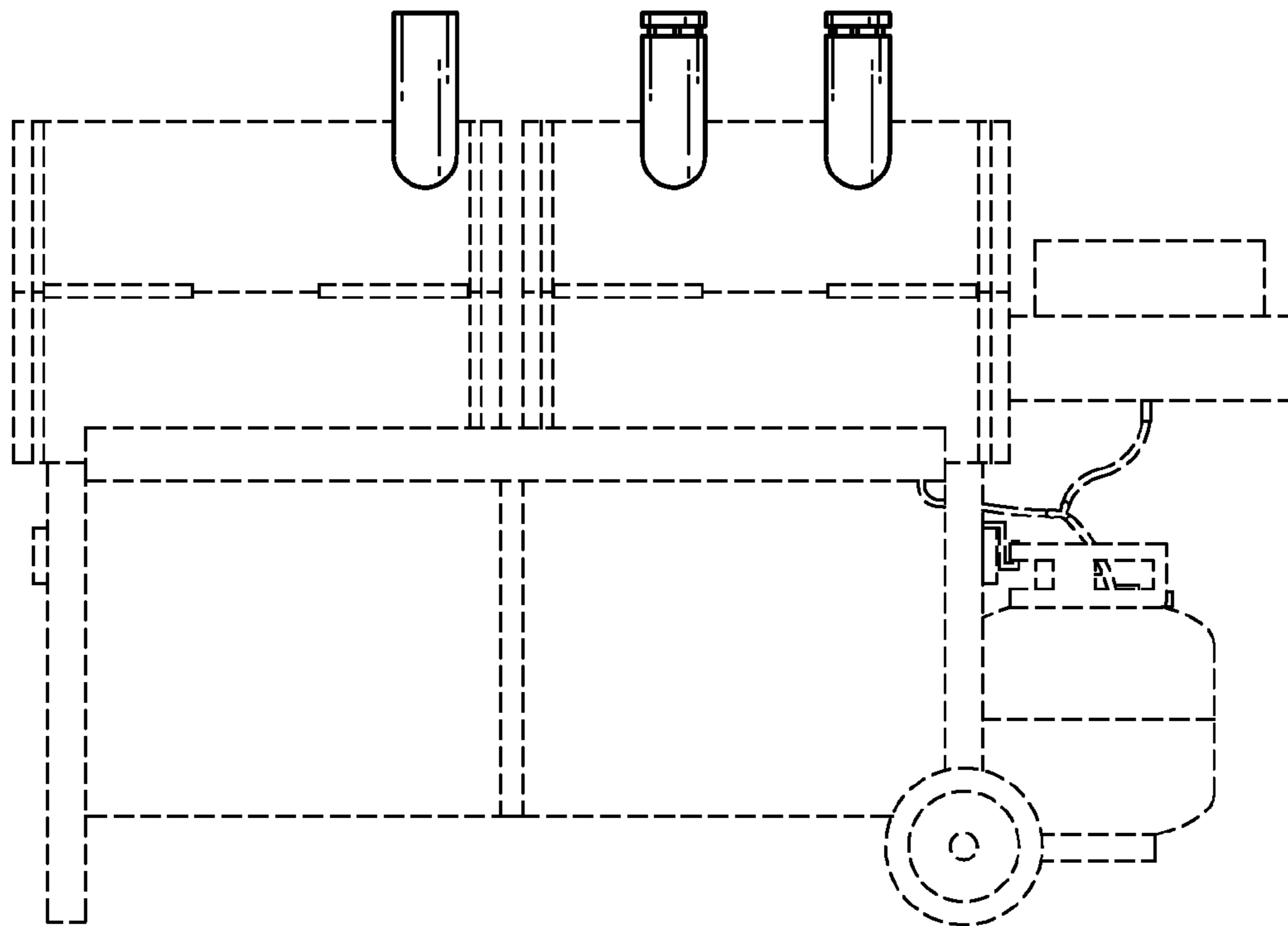


FIG. 3

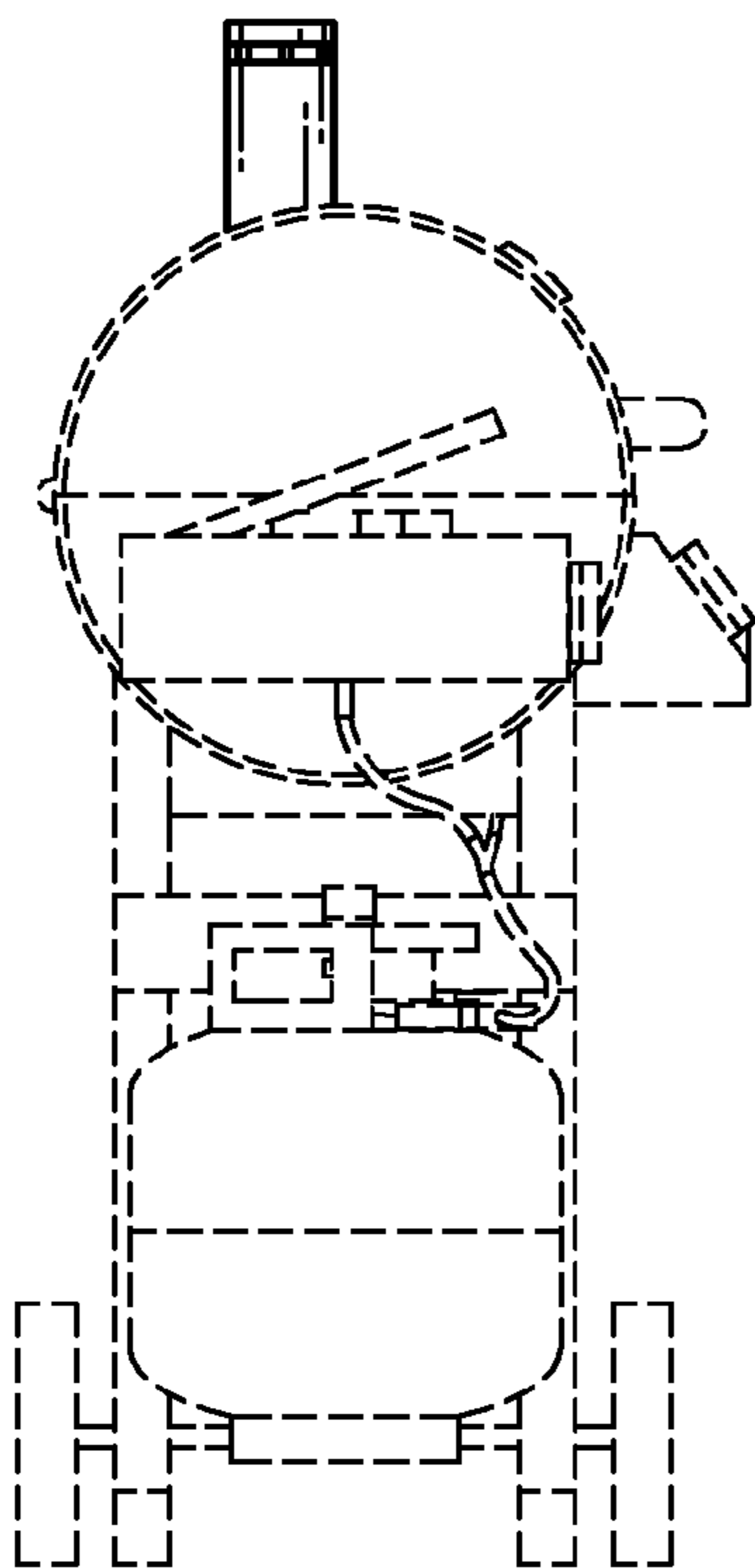


FIG. 4

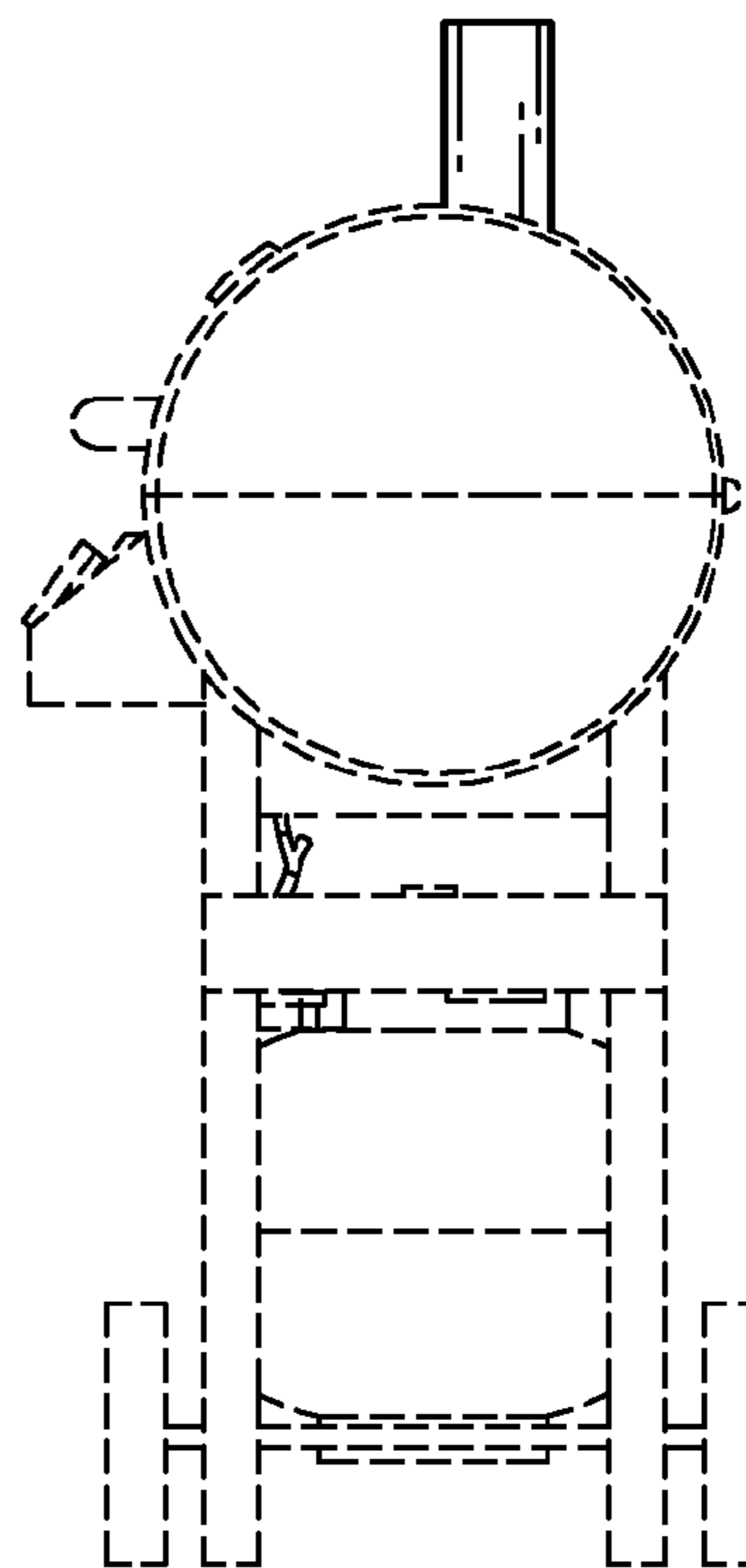


FIG. 5

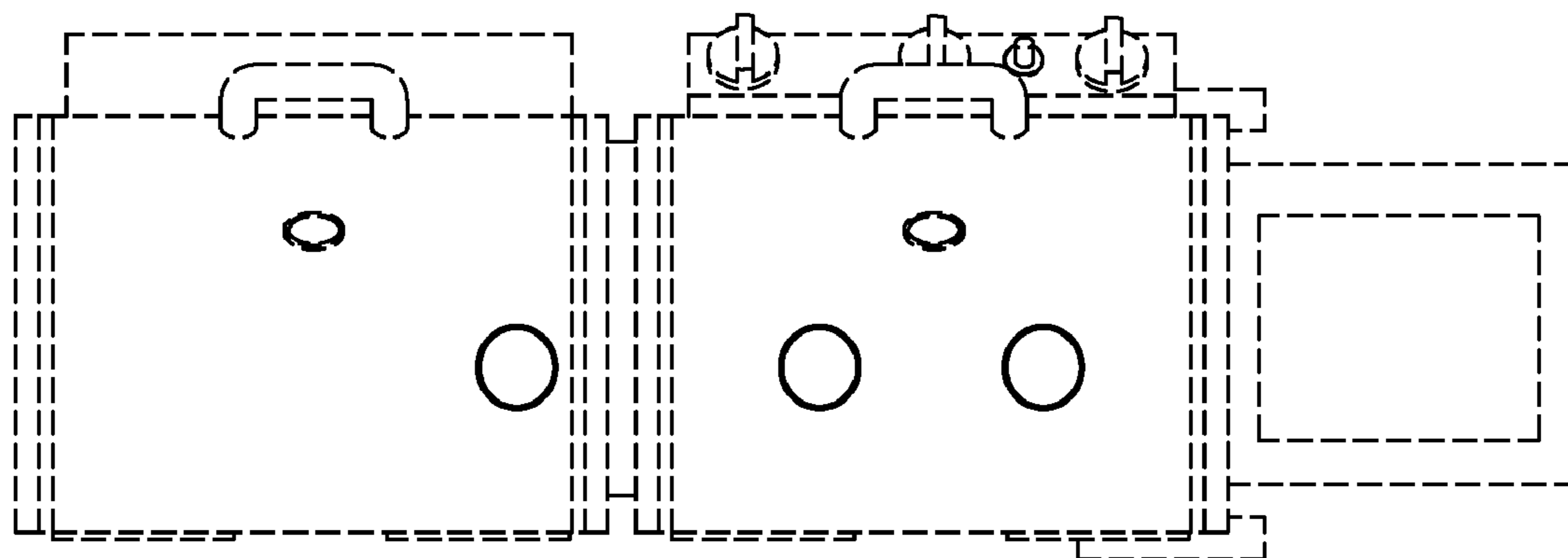


FIG. 6

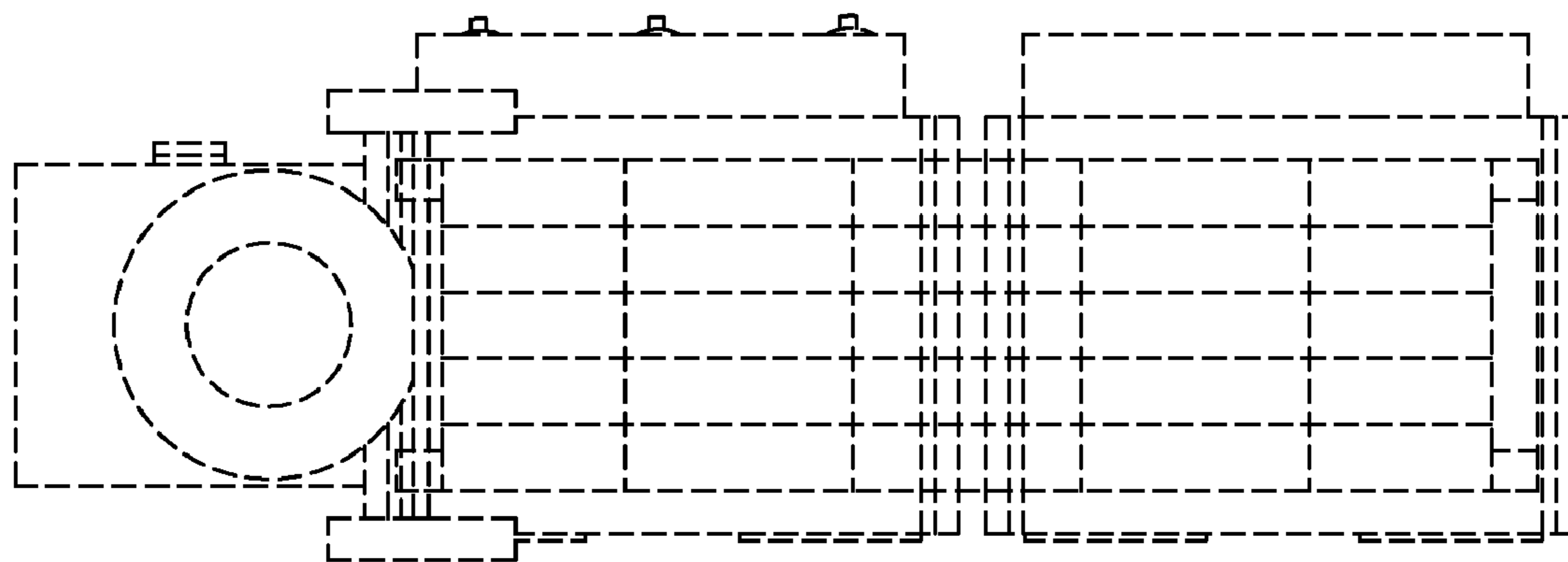


FIG. 7



US00D662773C1

(12) **EX PARTE REEXAMINATION CERTIFICATE** (10750th)
United States Patent
Simms, II

(10) **Number:** **US D662,773 C1**
(45) **Certificate Issued:** **Nov. 3, 2015**

- (54) **SET OF SMOKE STACKS FOR A DUAL GRILL**
- (75) **Inventor:** **John Lee Simms, II**, Atlanta, GA (US)
- (73) **Assignee:** **A&J MANUFACTURING, LLC**, St. Simons, GA (US)

(58) **Field of Classification Search**
USPC D7/332, 334, 402
CPC A47J 27/04; A47J 27/14; A47J 37/00;
A47J 37/042; A47J 37/0704; A47J 37/0713
See application file for complete search history.

Reexamination Request:
No. 90/013,286, Jul. 3, 2014

(56) **References Cited**

To view the complete listing of prior art documents cited during the proceeding for Reexamination Control Number 90/013,286, please refer to the USPTO's public Patent Application Information Retrieval (PAIR) system under the Display References tab.

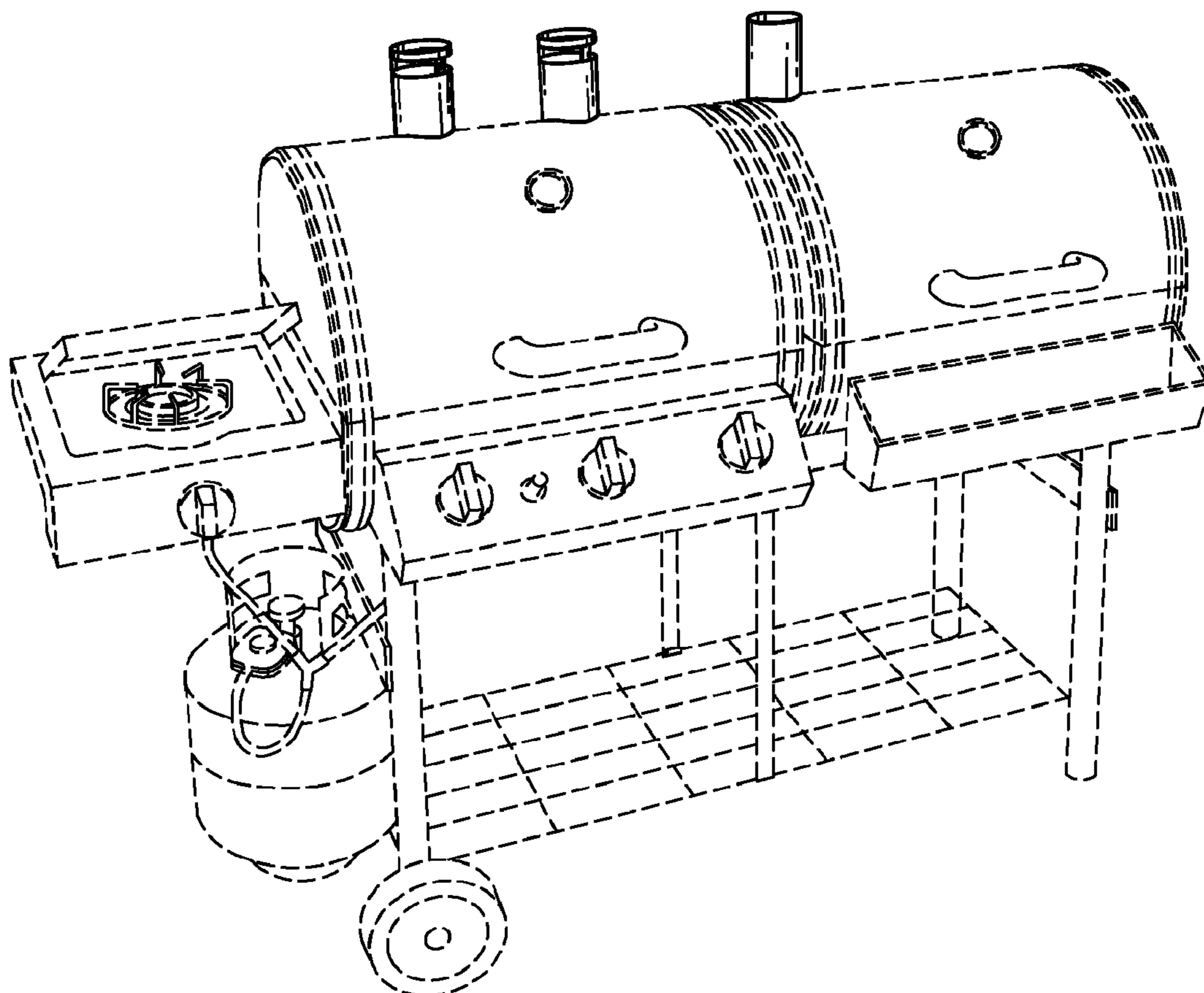
Reexamination Certificate for:
Patent No.: **Des. 662,773**
Issued: **Jul. 3, 2012**
Appl. No.: **29/392,027**
Filed: **May 16, 2011**

Primary Examiner — Kevin Rudzinski

Related U.S. Application Data

- (63) Continuation-in-part of application No. 11/193,320, filed on Jul. 30, 2005, now Pat. No. 8,381,712.
- (51) **LOC (10) Cl.** 07-02
- (52) **U.S. Cl.**
USPC D7/402

Attention is directed to the decision of *Academy, Ltd. v. A&J Manufacturing, Llc et al.* 4:14CV2043; *A&J Manufacturing, Llc et al. v. Academy, Ltd.* 2:13CV113; *A&J Manufacturing, Llc et al v. The Brinkmann Corporation; A&J Manufacturing, Llc et al v. W.C. Bradley Co. et al.* relating to this patent. This reexamination may not have resolved all questions raised by these decisions. See 37 CFR 1.552(c) for *ex parte* reexamination and 37 CFR 1.906(c) for *inter partes* reexamination.



**EX PARTE
REEXAMINATION CERTIFICATE**

NO AMENDMENTS HAVE BEEN MADE TO
THE PATENT

5

AS A RESULT OF REEXAMINATION, IT HAS BEEN
DETERMINED THAT:

The patentability of the single claim is confirmed.

10

* * * * *