

US00D662767S

(12) **United States Design Patent**  
**Hotell et al.**

(10) **Patent No.:** **US D662,767 S**  
(45) **Date of Patent:** **\*\* Jul. 3, 2012**

(54) **CONTAINER COMPONENT**

(75) Inventors: **Christopher William Hotell**, Carlsbad, CA (US); **Gretchen Elizabeth Bleiler**, Carlsbad, CA (US); **Marta Scott Hotell**, Carlsbad, CA (US); **Gregory Thomas Janky**, Sammamish, WA (US); **Treasure Lynae Hinds**, Seattle, WA (US)

(73) Assignee: **Nice Reusables, Inc.**, Carlsbad, CA (US)

(\*\*) Term: **14 Years**

(21) Appl. No.: **29/374,093**

(22) Filed: **Jul. 2, 2011**

**Related U.S. Application Data**

(62) Division of application No. 29/370,215, filed on Jun. 16, 2010, now Pat. No. Des. 644,066.

(51) **LOC (9) Cl.** ..... **07-99**

(52) **U.S. Cl.** ..... **D7/396.2; D7/624.2**

(58) **Field of Classification Search** ..... D7/532, D7/523, 507, 509, 510, 511, 607, 624.2, 396.2; D9/502, 503, 505; 220/703; D28/89; D11/149  
See application file for complete search history.

(56) **References Cited**

**U.S. PATENT DOCUMENTS**

924,969	A	6/1909	DeWolf	
1,107,700	A	8/1914	Pick	
1,748,483	A	2/1930	Hyde	
D96,566	S	8/1935	Straus	
D105,943	S	* 9/1937	Fuerst	..... D7/523
D176,321	S	* 12/1955	Guild et al.	..... D28/87
D176,324	S	* 12/1955	Guild et al.	..... D28/87
D176,372	S	* 12/1955	Noyack	..... D28/89
D177,787	S	* 5/1956	Wolff	..... D28/89
2,782,614	A	* 2/1957	Currie	..... 220/718
D180,176	S	* 4/1957	Cortney	..... D28/89

D185,339	S	* 5/1959	Wolff	..... D28/89
D189,302	S	11/1960	Skupien	
D196,413	S	* 9/1963	McCormick	..... D28/89
D232,048	S	7/1974	Bannberger	
D250,314	S	* 11/1978	Elliott et al.	..... D7/511
4,852,757	A	* 8/1989	Gold	..... 220/4.03
5,373,940	A	* 12/1994	Hillelson	..... 206/385
D370,089	S	* 5/1996	Faverio	..... D28/88
D547,123	S	7/2007	Sandberg	
D552,798	S	* 10/2007	Py et al.	..... D28/88
D562,137	S	2/2008	Florio	
D573,406	S	7/2008	Thurmond, Jr.	
7,537,136	B2	* 5/2009	Hechmati	..... 220/739
D594,708	S	* 6/2009	Silverstein et al.	..... D7/624.2
D595,091	S	* 6/2009	Poindexter et al.	..... D7/536
D601,852	S	10/2009	Newman	
D611,772	S	* 3/2010	Silverstein et al.	..... D7/624.2
D623,460	S	9/2010	Krasner	
D627,601	S	11/2010	Eyal	
D634,162	S	3/2011	Holscher	
D635,397	S	* 4/2011	Hollis et al.	..... D7/396.2
D639,117	S	* 6/2011	Jonsson	..... D7/624.2
D644,066	S	* 8/2011	Hotell et al.	..... D7/532
D644,879	S	* 9/2011	Hadley	..... D7/510
D645,700	S	* 9/2011	Hadley	..... D7/396.2

\* cited by examiner

*Primary Examiner* — Marianne Pandozzi

(74) *Attorney, Agent, or Firm* — Gregory K. Nelson

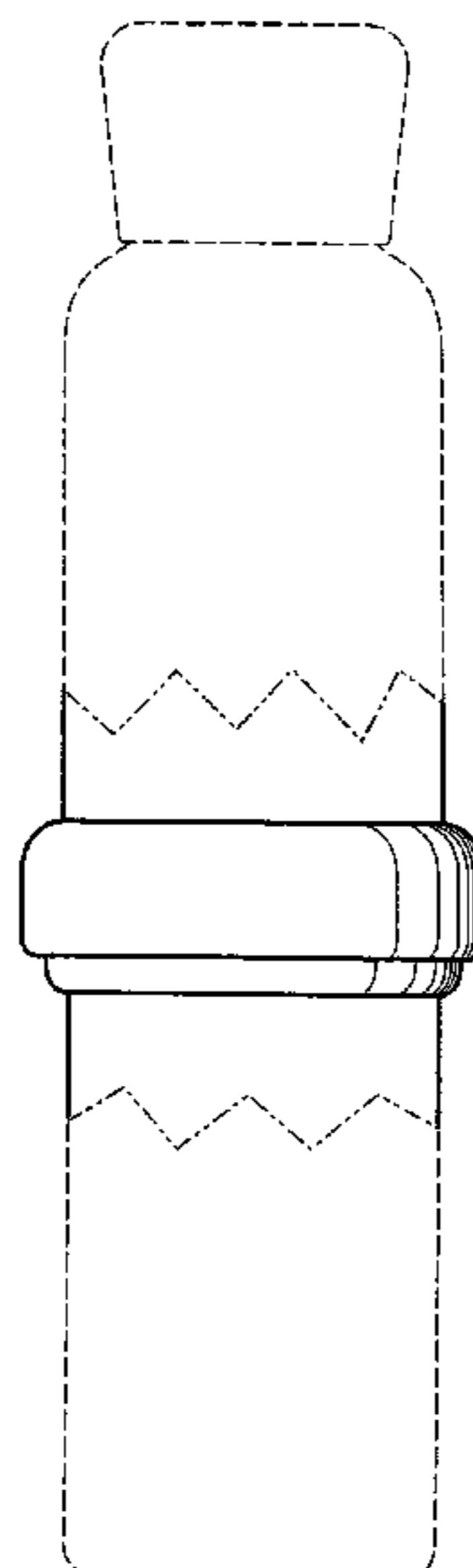
(57) **CLAIM**

The ornamental design for a container component, as shown and described.

**DESCRIPTION**

FIG. 1 is a front elevational view of the container component showing our new design;  
FIG. 2 is a side elevational view thereof;  
FIG. 3 is a top plan view thereof; and,  
FIG. 4 is a bottom plan view thereof.  
The broken lines in the drawings are included for purposes of illustration and form no part of the claimed design.

**1 Claim, 3 Drawing Sheets**



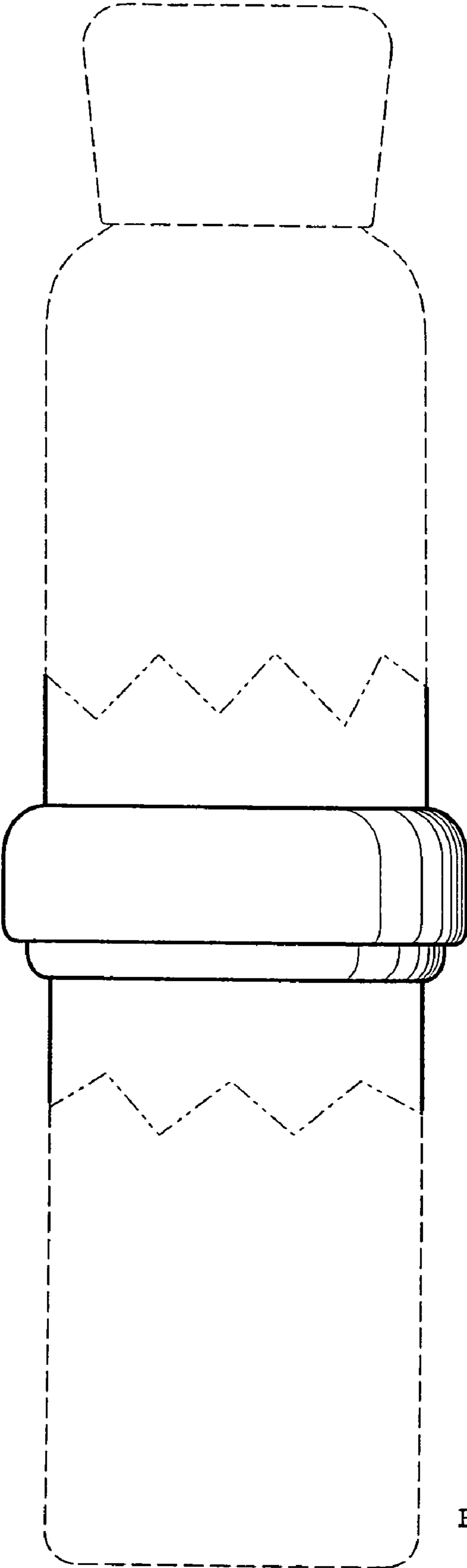


Fig. 1

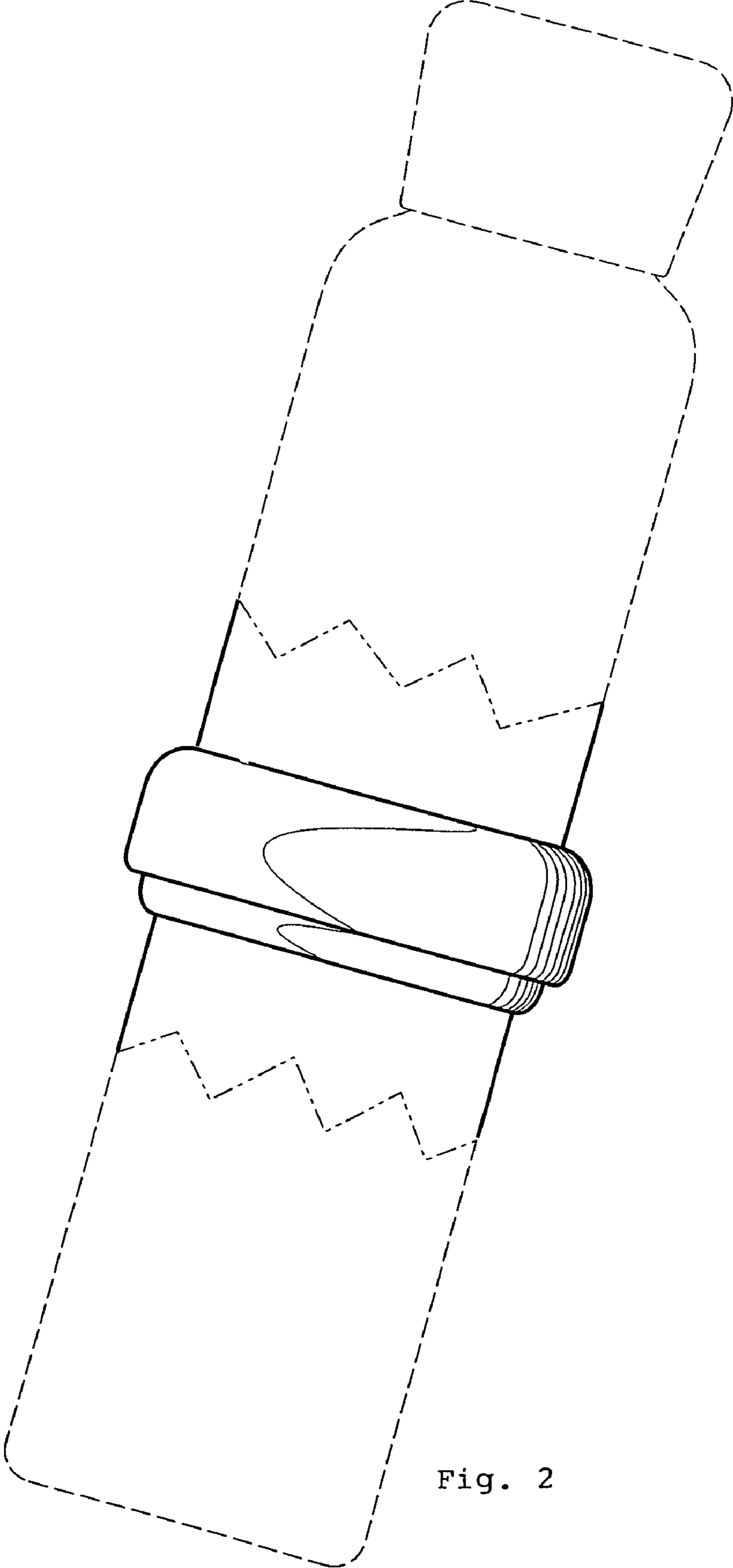


Fig. 2

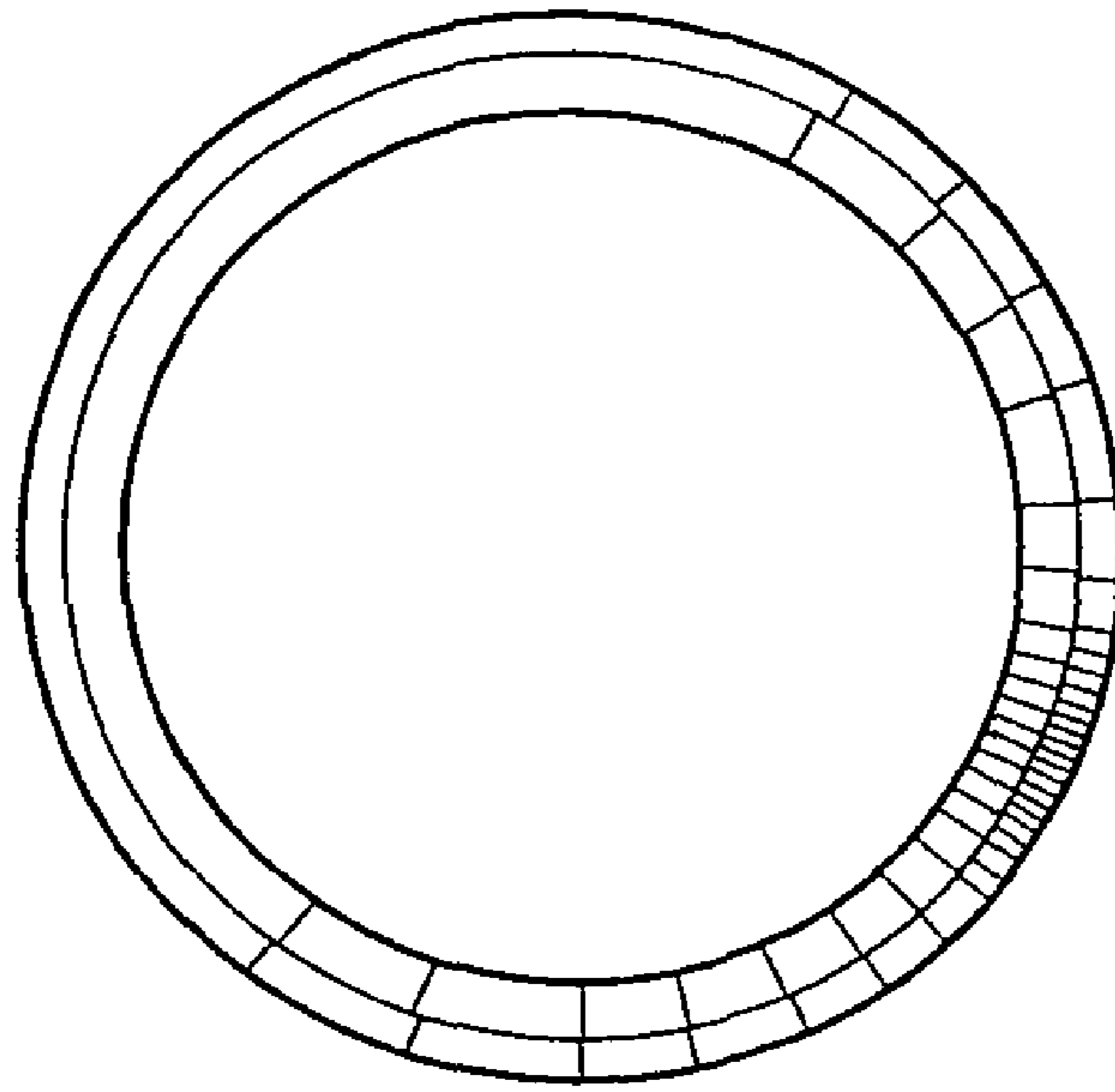


Fig. 3

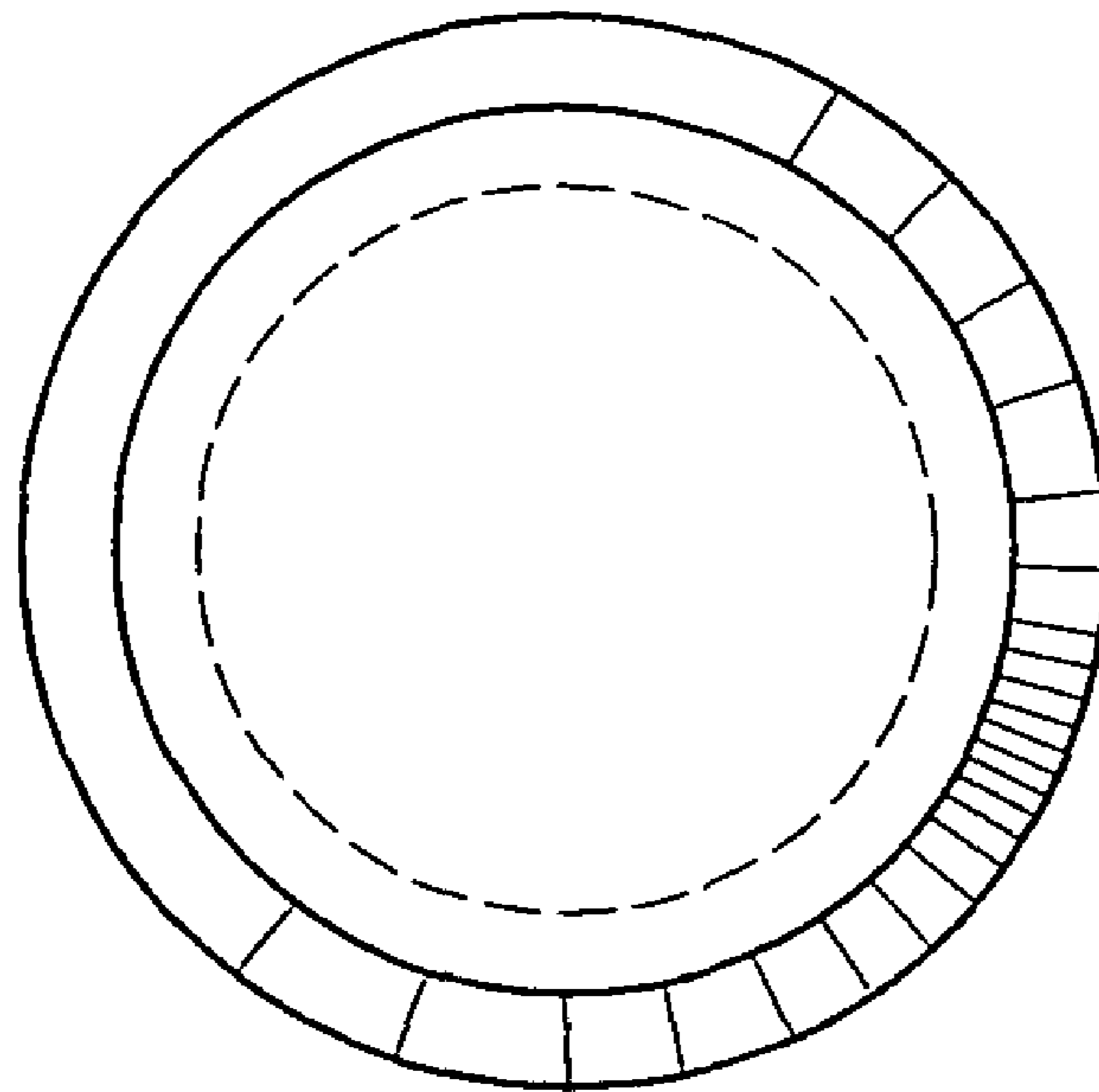


Fig. 4