



US00D662766S

(12) **United States Design Patent**  
**Smyers**

(10) **Patent No.:** **US D662,766 S**  
(45) **Date of Patent:** **\*\* Jul. 3, 2012**

(54) **PLASTIC LID**

(75) Inventor: **Justin Smyers**, Newport Beach, CA  
(US)

(73) Assignee: **Snapware Corporation**, Mira Loma,  
CA (US)

(\*\*) Term: **14 Years**

(21) Appl. No.: **29/366,868**

(22) Filed: **Jul. 30, 2010**

(51) **LOC (9) Cl.** ..... **07-02**

(52) **U.S. Cl.** ..... **D7/391; D7/629**

(58) **Field of Classification Search** ..... D7/500,  
D7/538, 540, 542, 586, 587, 601, 602, 629,  
D7/630; D9/500, 503, 425, 428; 220/574,  
220/575, 675, 916, 780-806

See application file for complete search history.

(56) **References Cited**

**U.S. PATENT DOCUMENTS**

1,627,050	A *	5/1927	Moore	.....	220/574
2,795,942	A *	6/1957	Harris	.....	220/574
5,273,174	A *	12/1993	Fisher	.....	220/4.21
D372,862	S *	8/1996	Fiori	.....	D9/428
D445,304	S *	7/2001	Littlejohn et al.	.....	D7/586
D463,955	S *	10/2002	Queensberry et al.	.....	D7/565
D482,574	S *	11/2003	Mountain	.....	D7/586
D564,302	S *	3/2008	Freeman	.....	D7/605
D574,661	S *	8/2008	Logan	.....	D7/354
D575,115	S *	8/2008	Zimmerman	.....	D7/629
D581,741	S *	12/2008	Virgilio	.....	D7/587

D590,663	S *	4/2009	Simon et al.	.....	D7/545
D601,384	S *	10/2009	Shah	.....	D7/540
D631,708	S *	2/2011	Smyers	.....	D7/629
D633,757	S *	3/2011	Smyers	.....	D7/629
D636,641	S *	4/2011	Smyers	.....	D7/629
D647,358	S *	10/2011	Smyers	.....	D7/391
D647,360	S *	10/2011	Smyers	.....	D7/391
D651,478	S *	1/2012	Nie	.....	D7/629
D651,685	S *	1/2012	Honzelka	.....	D23/207
D651,866	S *	1/2012	Smyers	.....	D7/630

\* cited by examiner

*Primary Examiner* — Cynthia Underwood

(74) *Attorney, Agent, or Firm* — Larry K. Roberts

(57) **CLAIM**

The ornamental design for plastic lid, as shown and described.

**DESCRIPTION**

FIG. 1 is an isometric view of the plastic lid showing our new design;

FIG. 2 a front elevation view of FIG. 1, the left, right and back elevation views being identical;

FIG. 3 is a top view of FIG. 1;

FIG. 4 is a bottom view of FIG. 1;

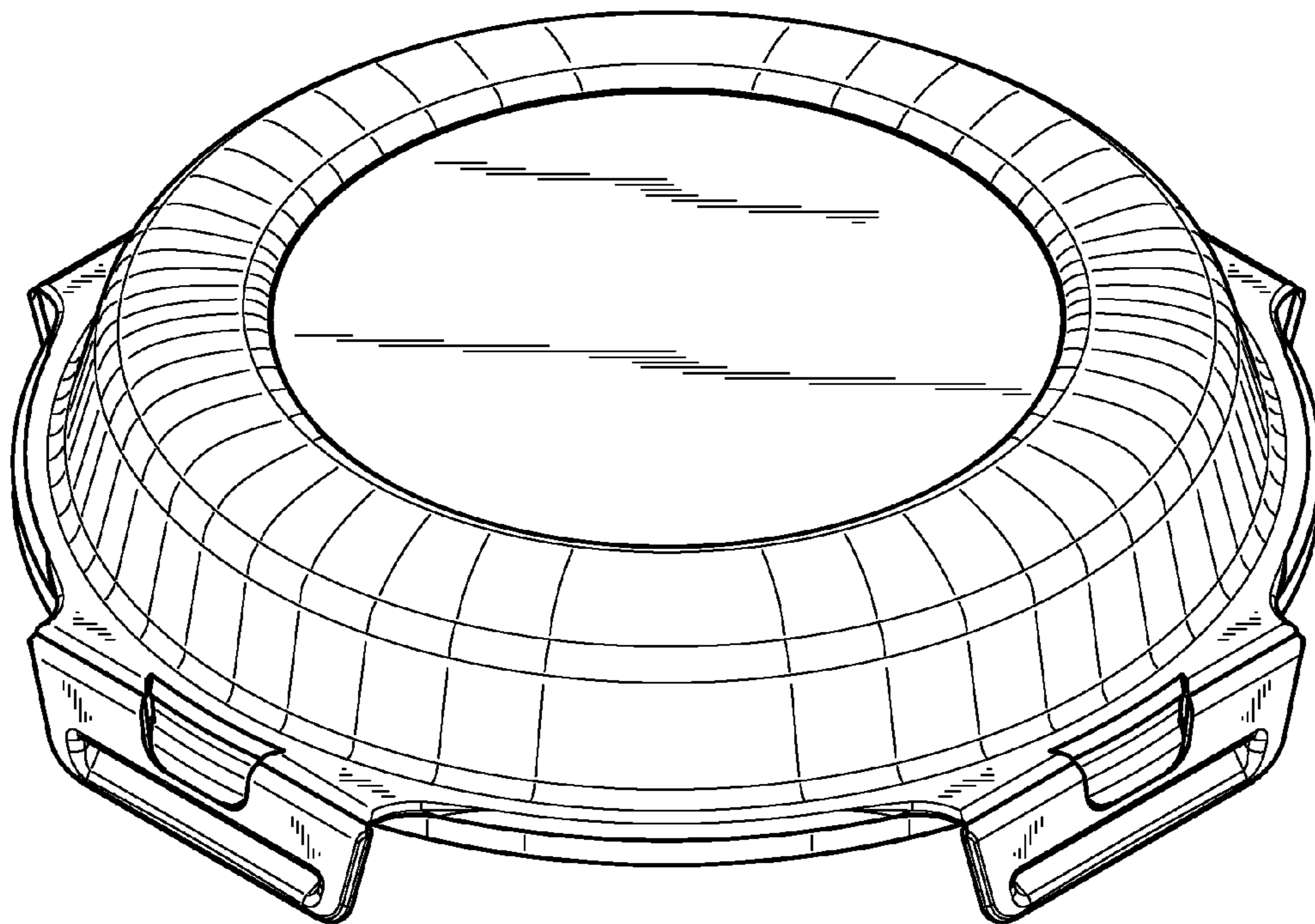
FIG. 5 is an isometric view of another embodiment of the design;

FIG. 6 a front elevation view of FIG. 5, the left, right and back elevation views being identical;

FIG. 7 is a top view of FIG. 5; and,

FIG. 8 is a bottom view of FIG. 5.

**1 Claim, 8 Drawing Sheets**



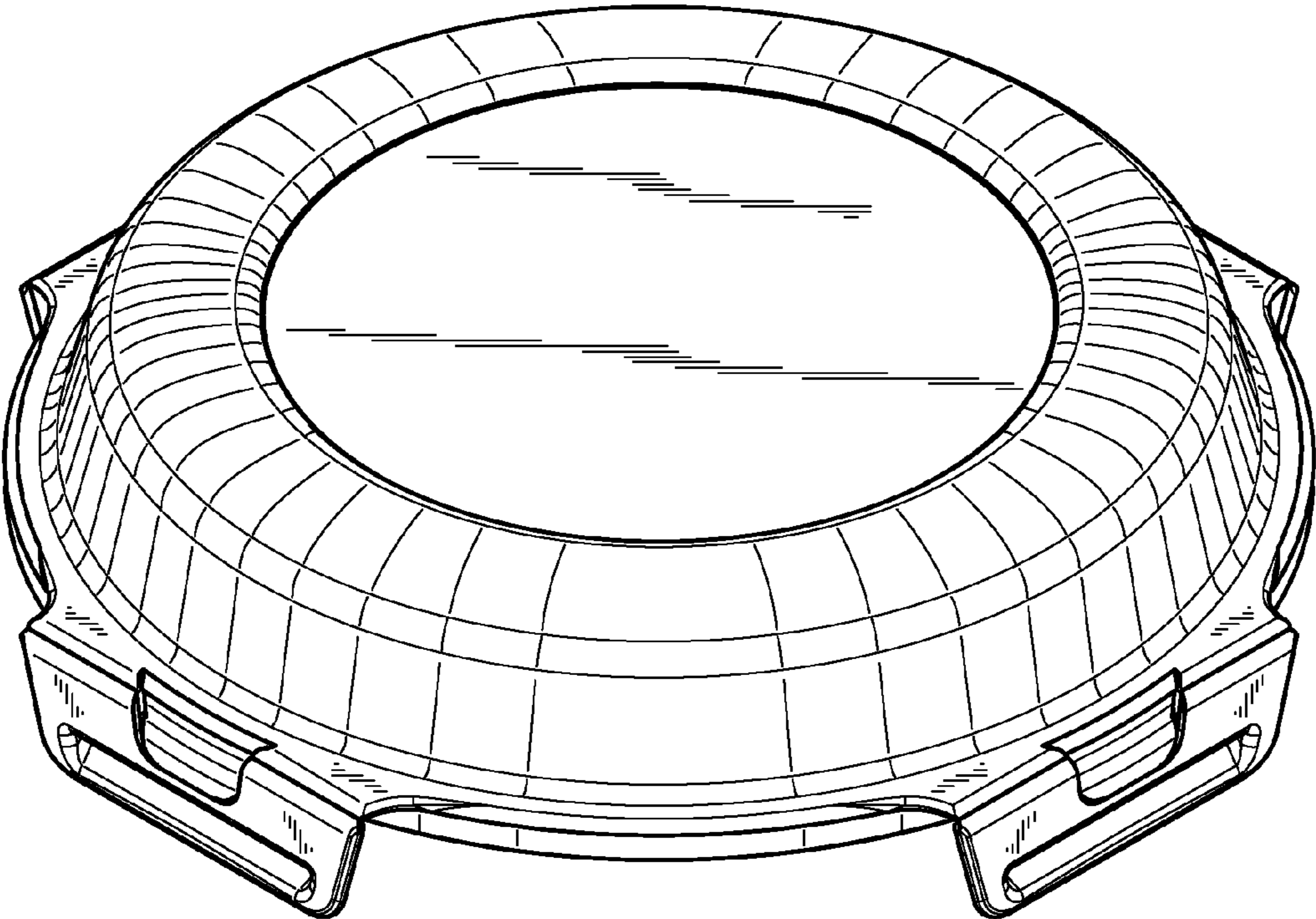


FIG. 1

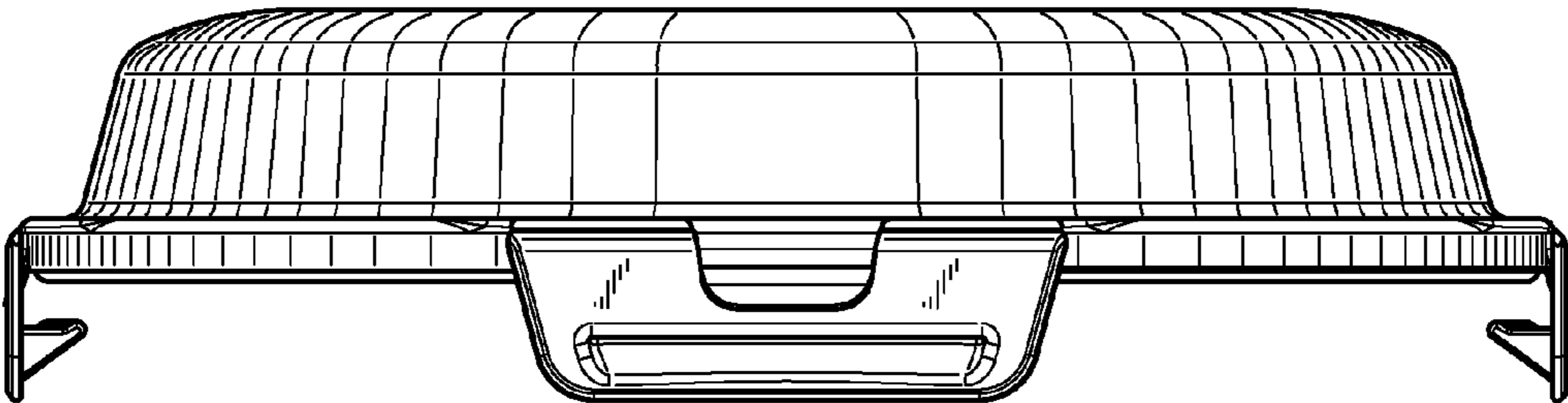


FIG. 2

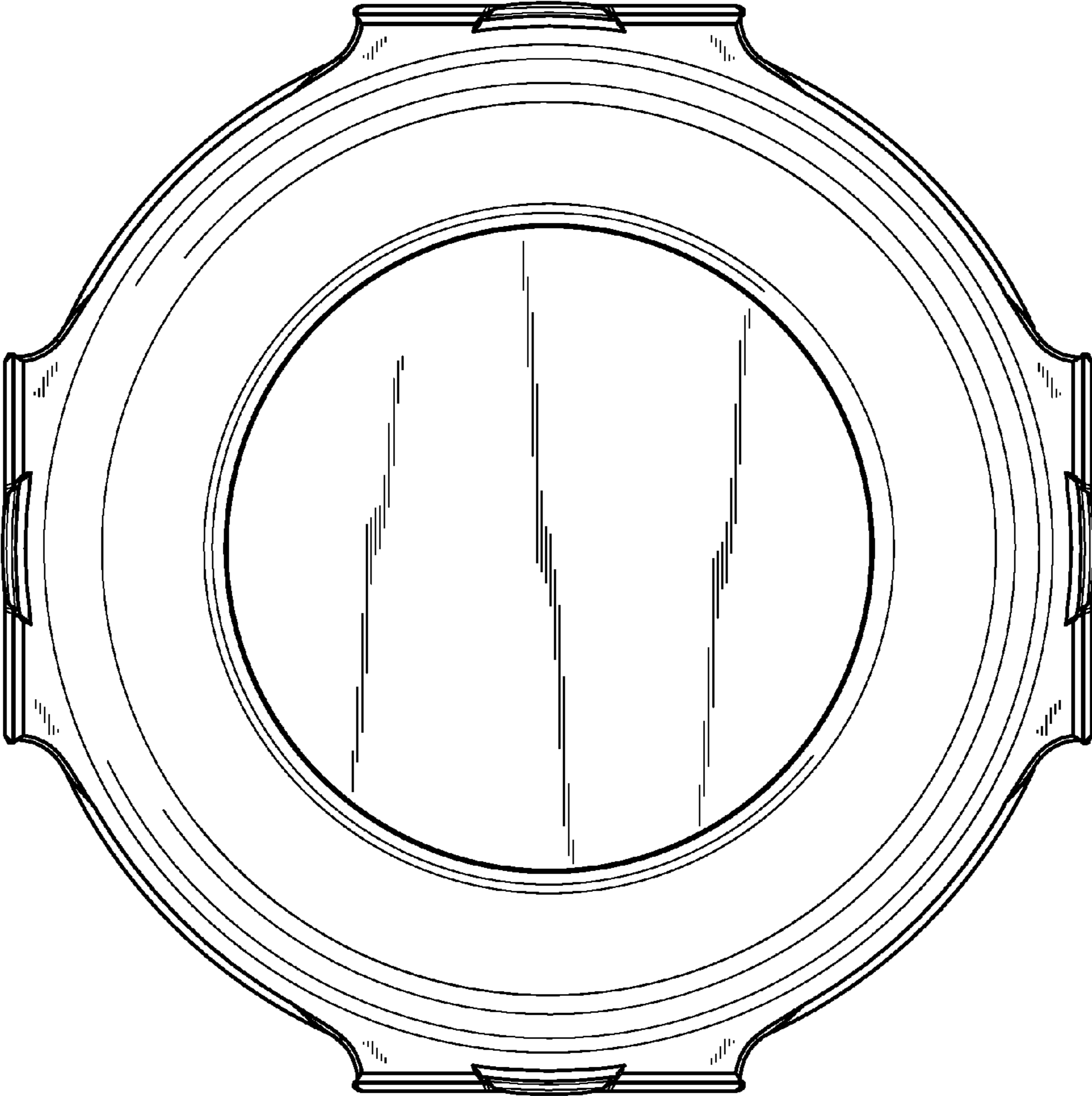


FIG. 3

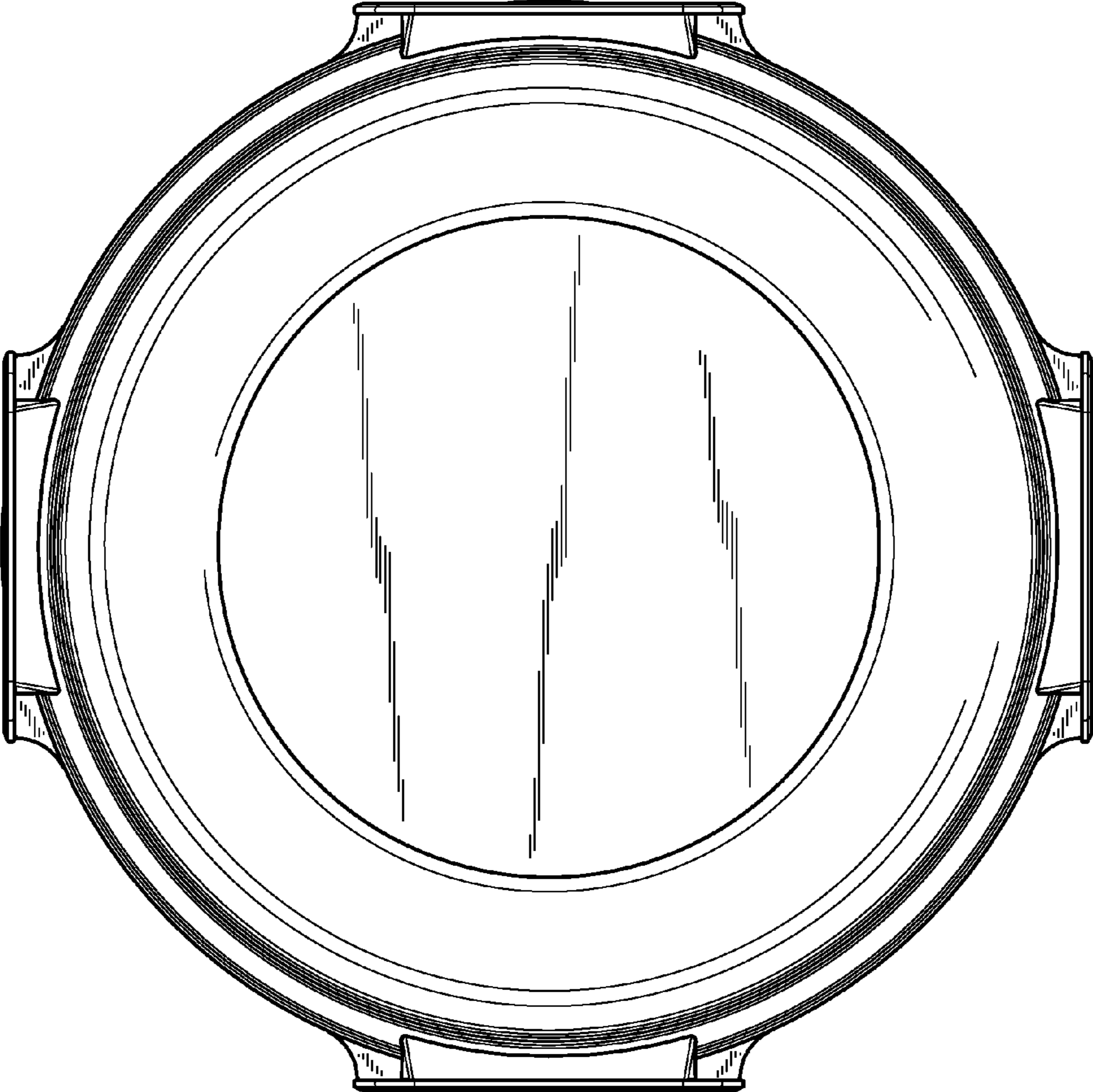


FIG. 4

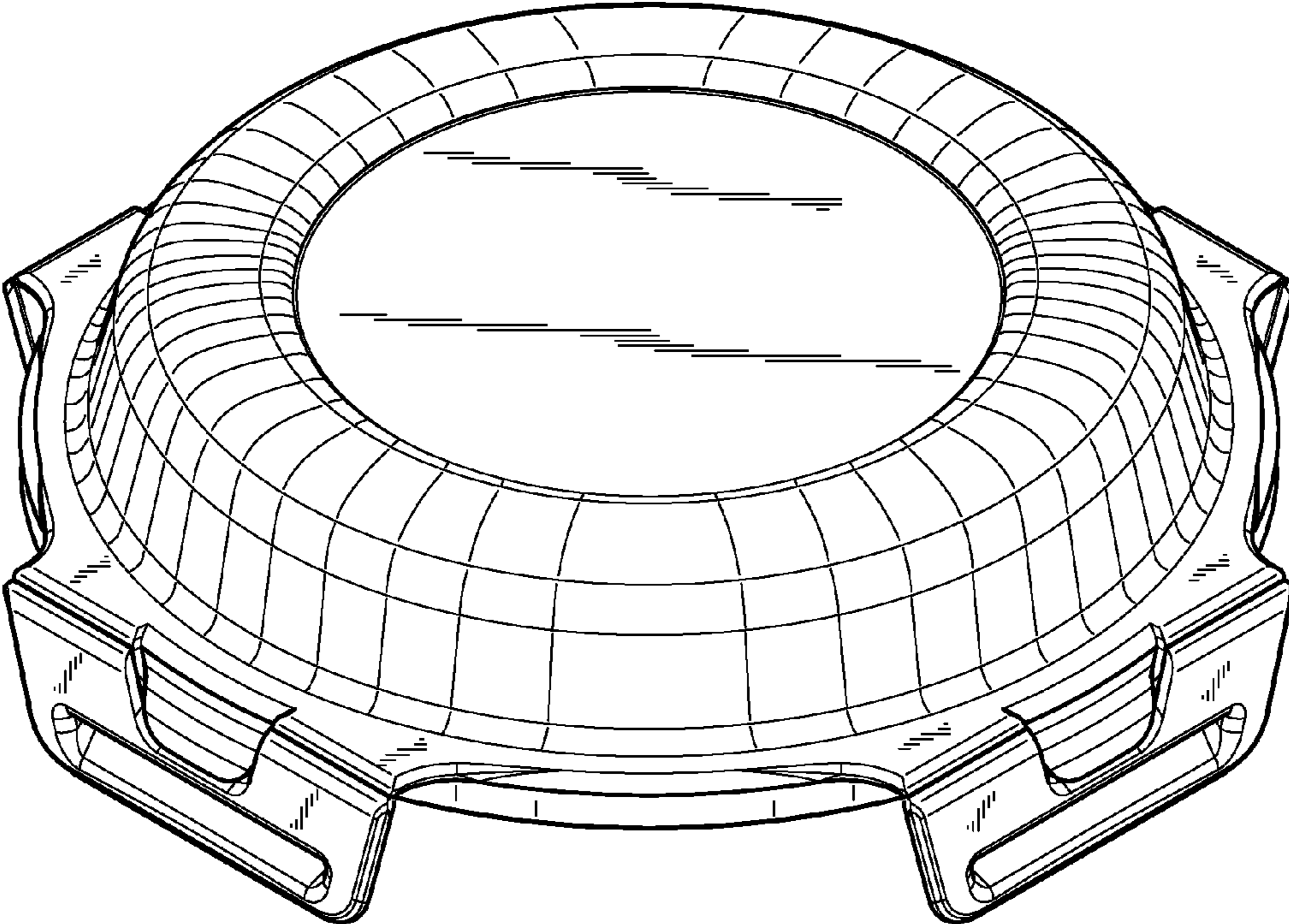


FIG. 5

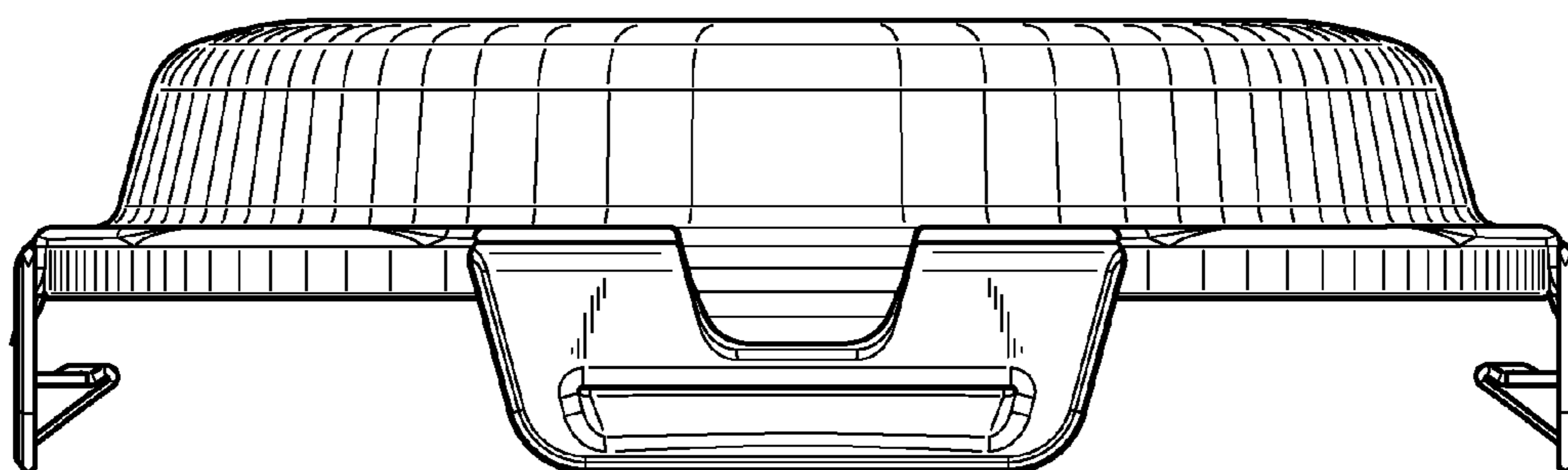


FIG. 6

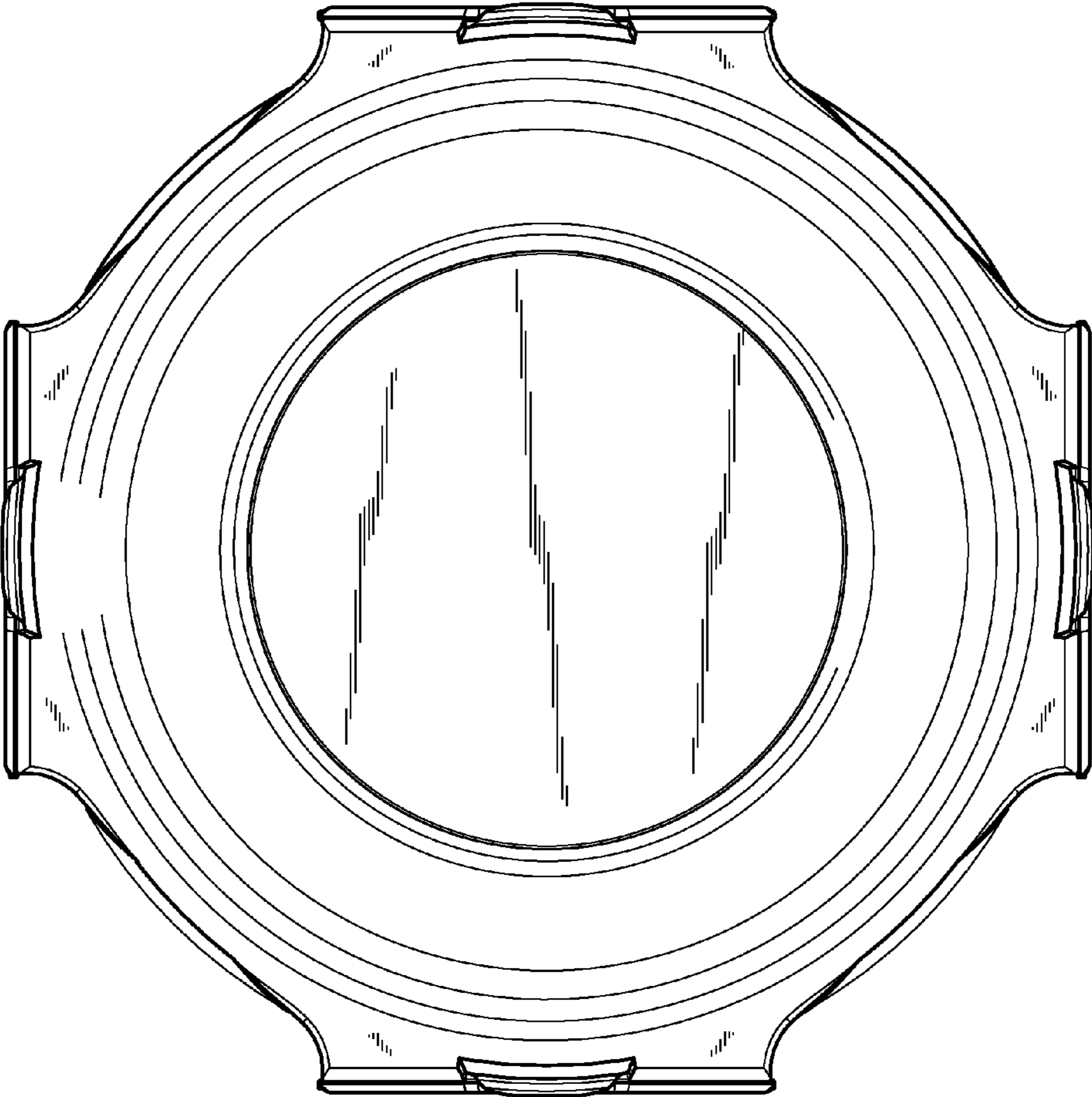


FIG. 7



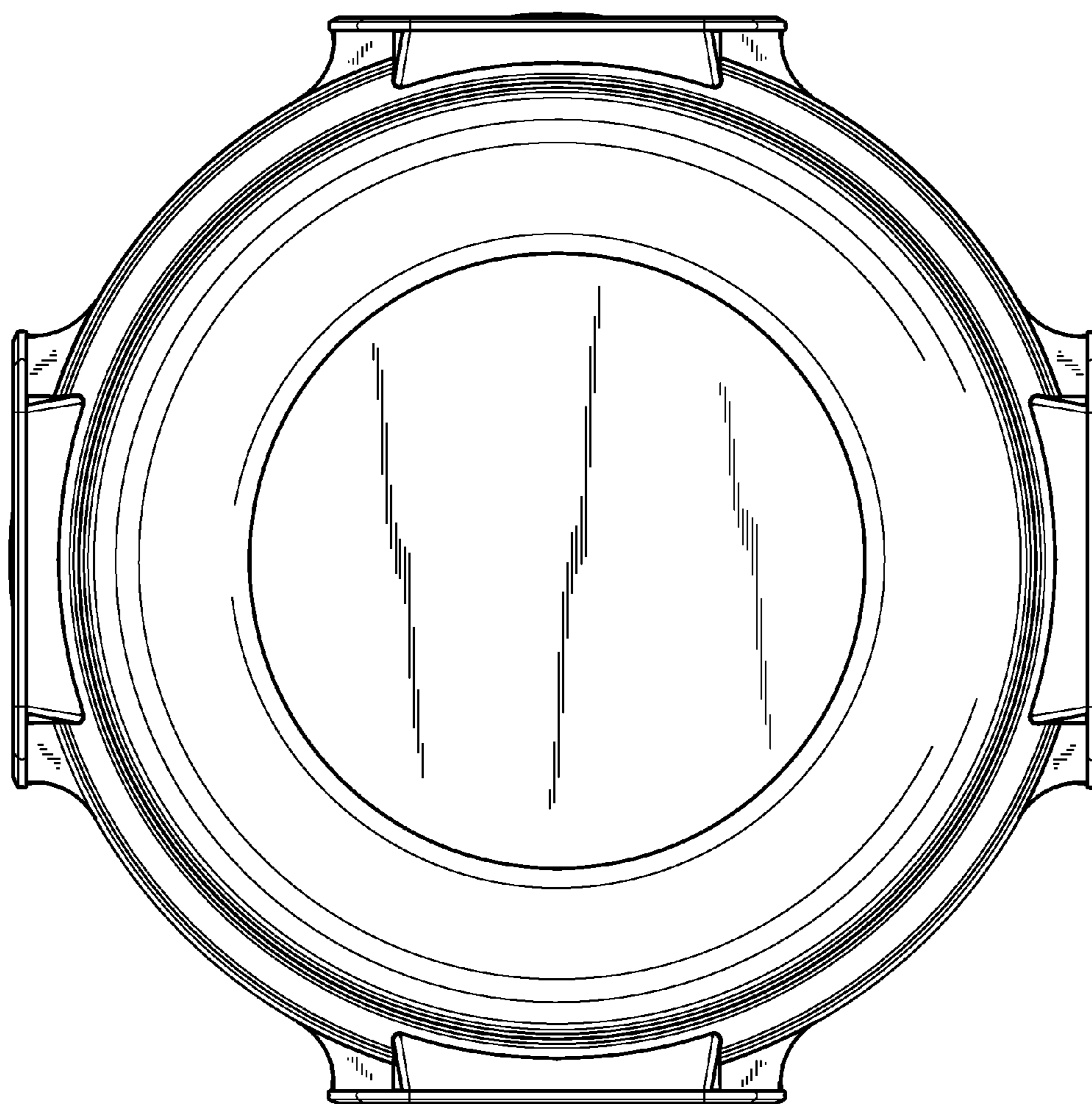


FIG. 8