



US00D662763S

(12) **United States Design Patent**  
**Stewart et al.**

(10) **Patent No.:** **US D662,763 S**  
(45) **Date of Patent:** **\*\* Jul. 3, 2012**

(54) **COMBINED FRUIT PREPARATION AND STORAGE UTENSIL**

(76) Inventors: **Anna M. Stewart**, Naples, NY (US);  
**Stephan Kraigh Stewart**, Naples, NY (US)

(\*\*) Term: **14 Years**

(21) Appl. No.: **29/386,681**

(22) Filed: **Mar. 3, 2011**

(51) **LOC (9) Cl.** ..... **07-01**

(52) **U.S. Cl.** ..... **D7/368; D7/601**

(58) **Field of Classification Search** ..... D7/368,  
D7/601, 603, 605, 387, 500, 514, 515, 538,  
D7/539, 560, 571; 62/3.62, 372, 395, 400;  
220/574-575, 675, 780-802, 326, 256.1

See application file for complete search history.

(56) **References Cited**

U.S. PATENT DOCUMENTS

D498,641 S \* 11/2004 Endres et al. .... D7/368  
D650,245 S \* 12/2011 Abrams ..... D7/628

\* cited by examiner

*Primary Examiner* — Terry Wallace

(74) *Attorney, Agent, or Firm* — Smith Risley Temple Santos LLC; Gregory Scott Smith

(57) **CLAIM**

The ornamental design for a combined fruit preparation and storage utensil, as shown and described.

**DESCRIPTION**

FIG. 1 is a perspective view of a combined fruit preparation and storage utensil showing our new design.

FIG. 2 is a front view thereof.

FIG. 3 is a side view thereof.

FIG. 4 is a bottom plan view of the base section thereof, shown separately for clarity of illustration.

FIG. 5 is a side view of FIG. 4.

FIG. 6 is a top plan view of FIG. 4.

FIG. 7 is a cross section view taken along line 7-7 of FIG. 4.

FIG. 8 is a top plan view of the board section thereof, shown separately for clarity of illustration.

FIG. 9 is a side view of FIG. 8.

FIG. 10 is a cross section view taken along the line 10-10 of FIG. 8.

FIG. 11 is a top plan view of the dome section thereof, shown separately for clarity of illustration.

FIG. 12 is a front view of FIG. 11.

FIG. 13 is a side view of FIG. 11.

FIG. 14 is a cross section view taken along line 14-14 of FIG. 11.

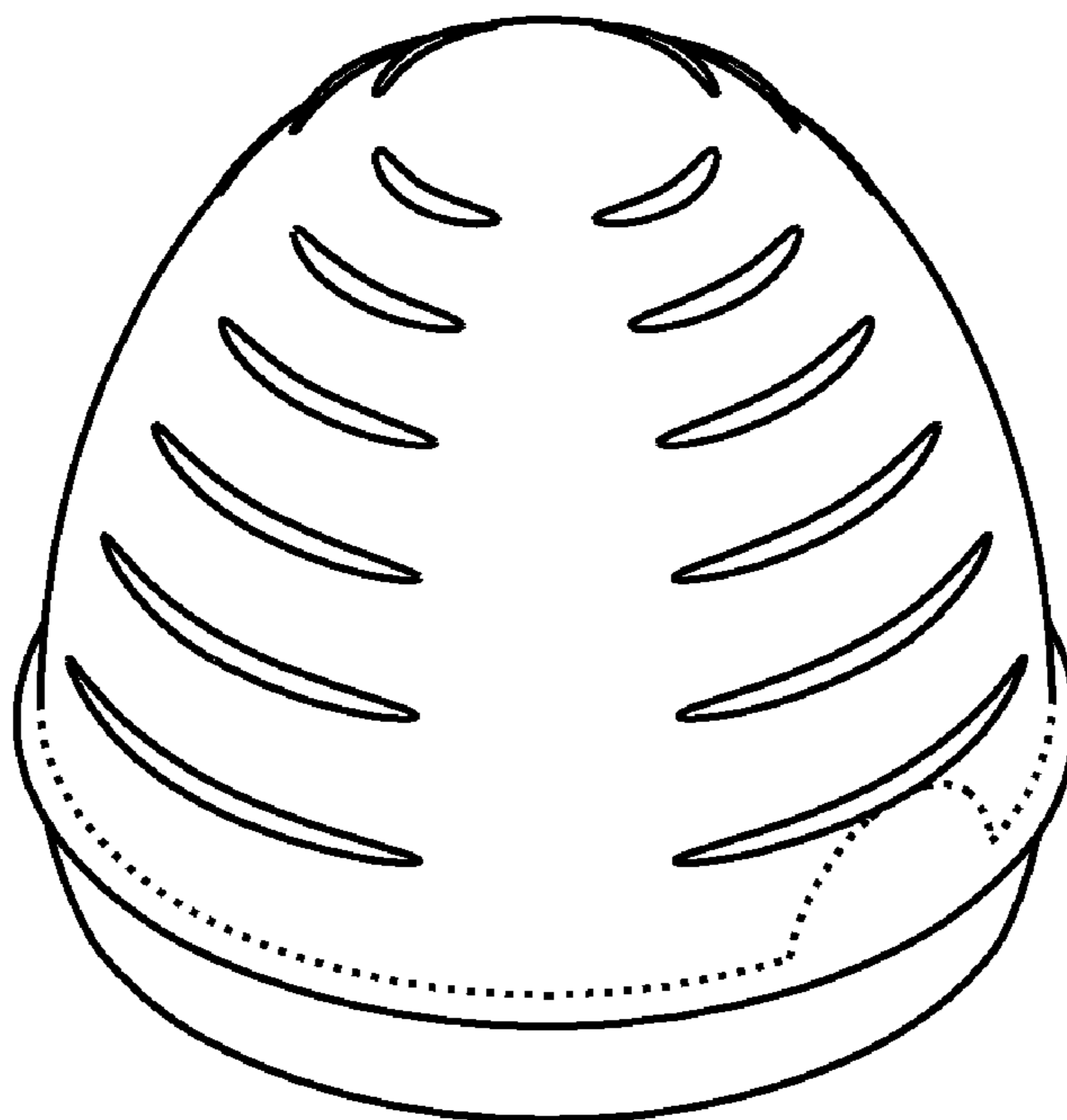
FIG. 15 is an exploded view thereof.

FIG. 16 is a cross section taken along line 16-16 of FIG. 3; and,

FIG. 17 is a bottom plan view of FIG. 11.

The broken lines shown throughout the drawings form no part of the claimed design. The Fruit preparation and storage utensil is shown in three parts with various views of each part either alone or together with other parts.

**1 Claim, 6 Drawing Sheets**



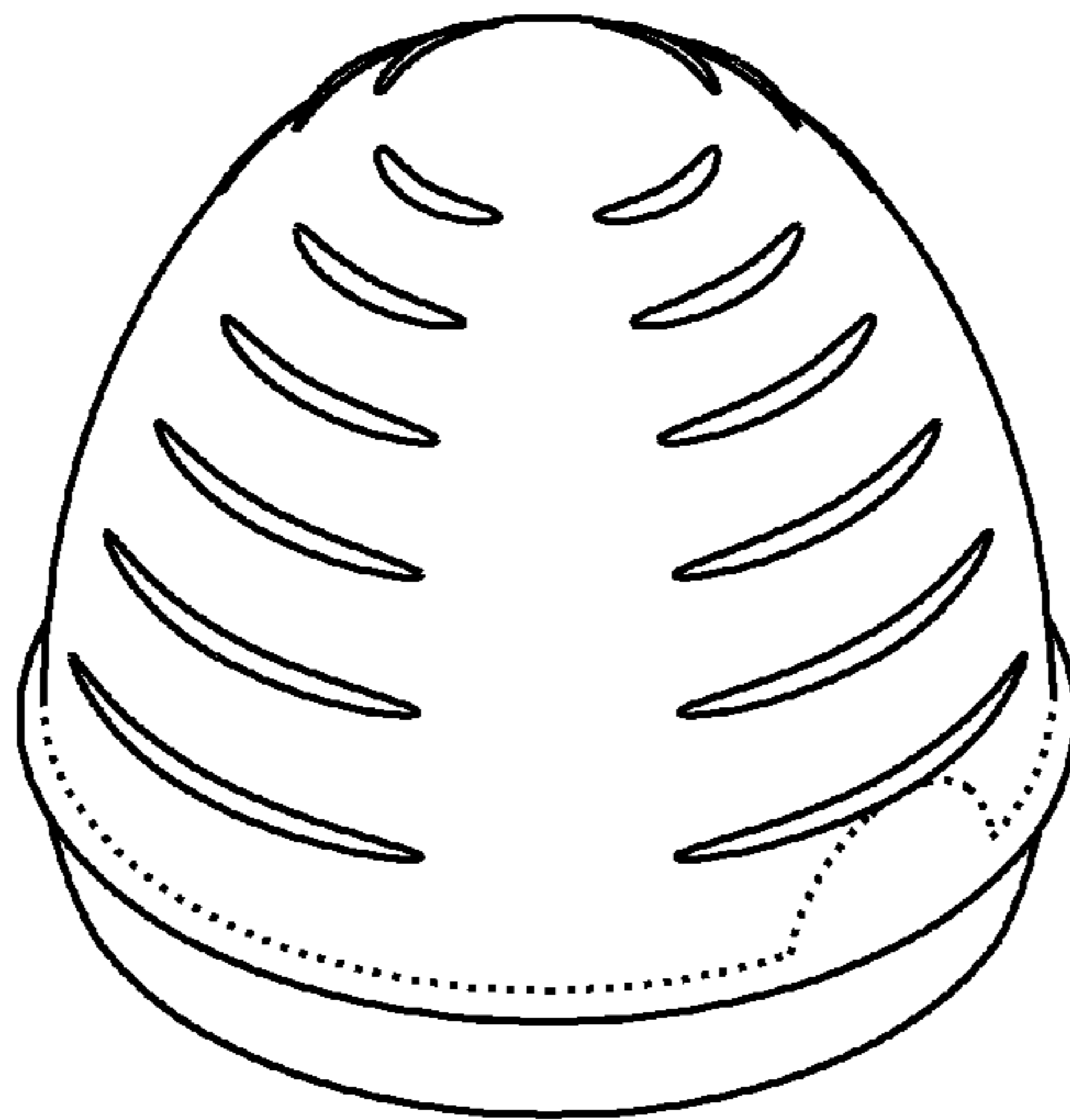


FIG. 1

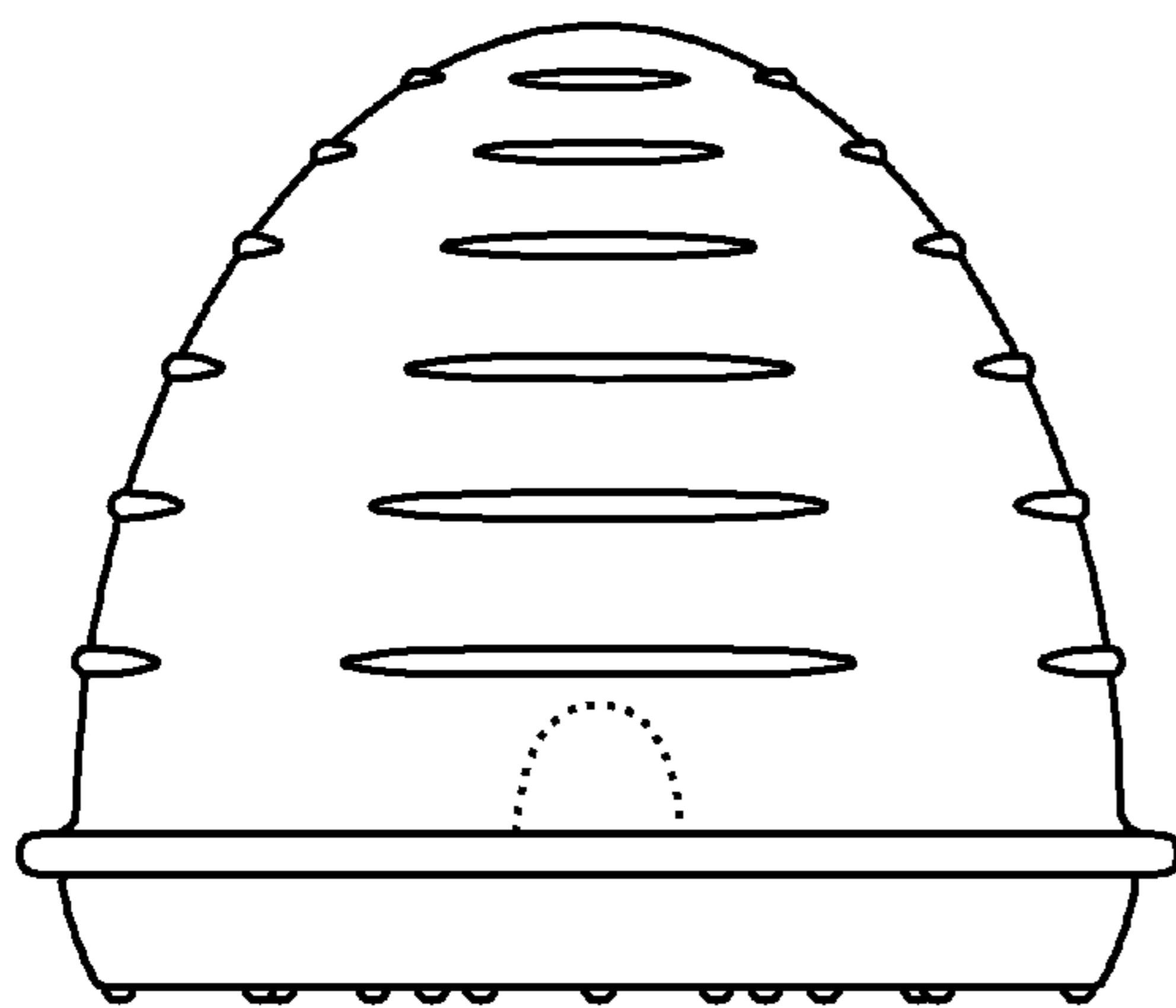


FIG. 2

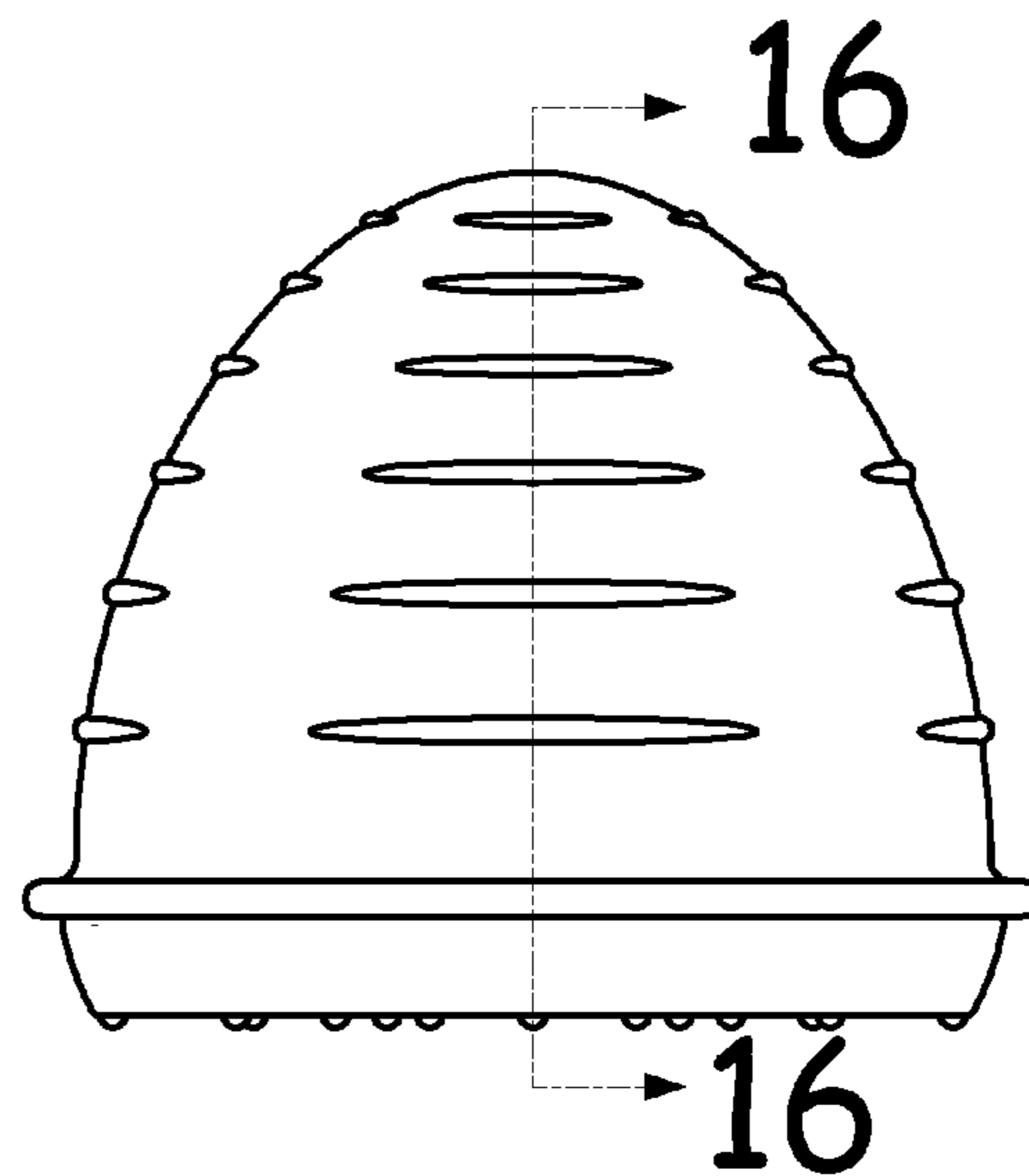


FIG. 3

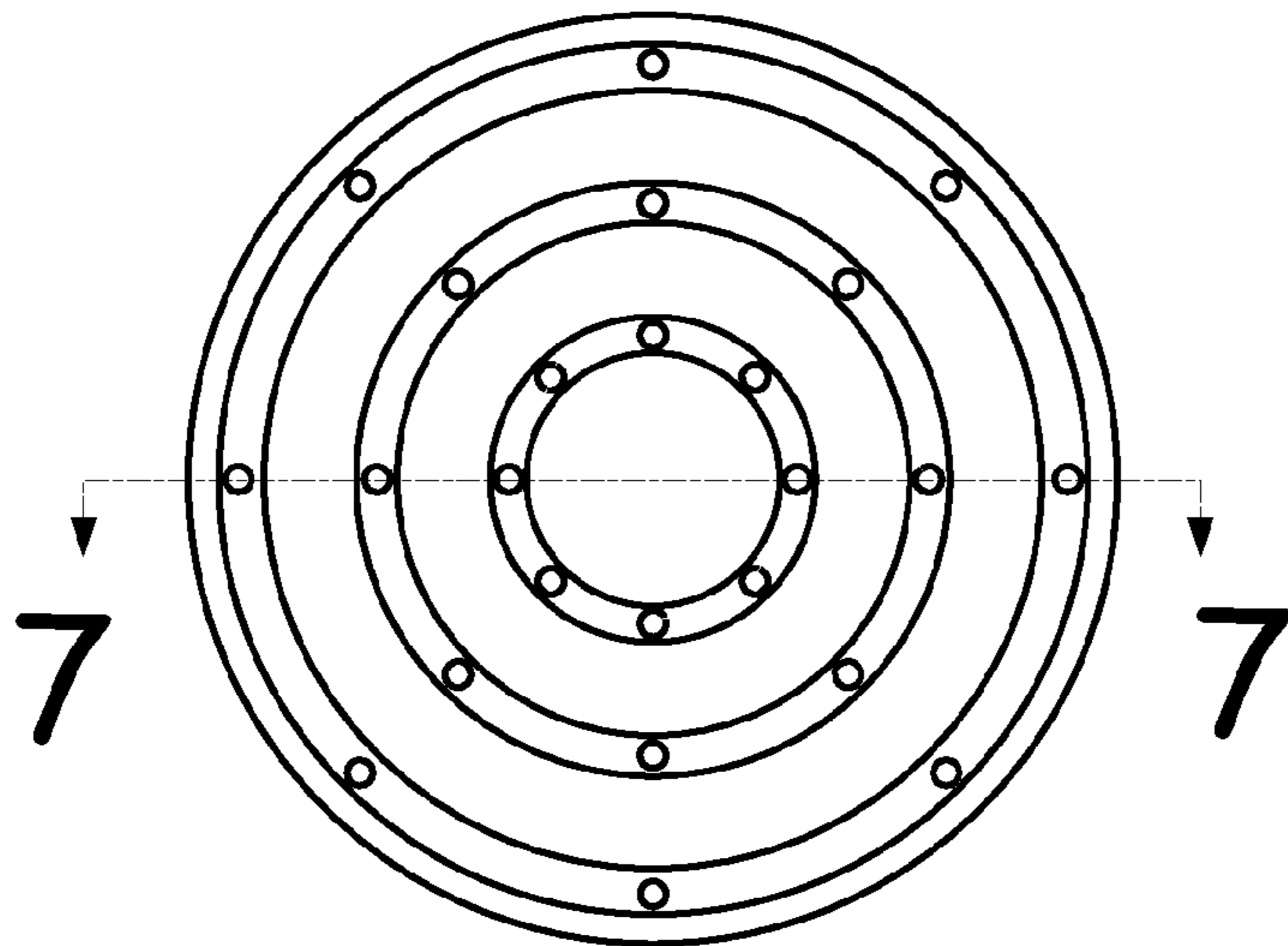


FIG. 4



FIG. 5

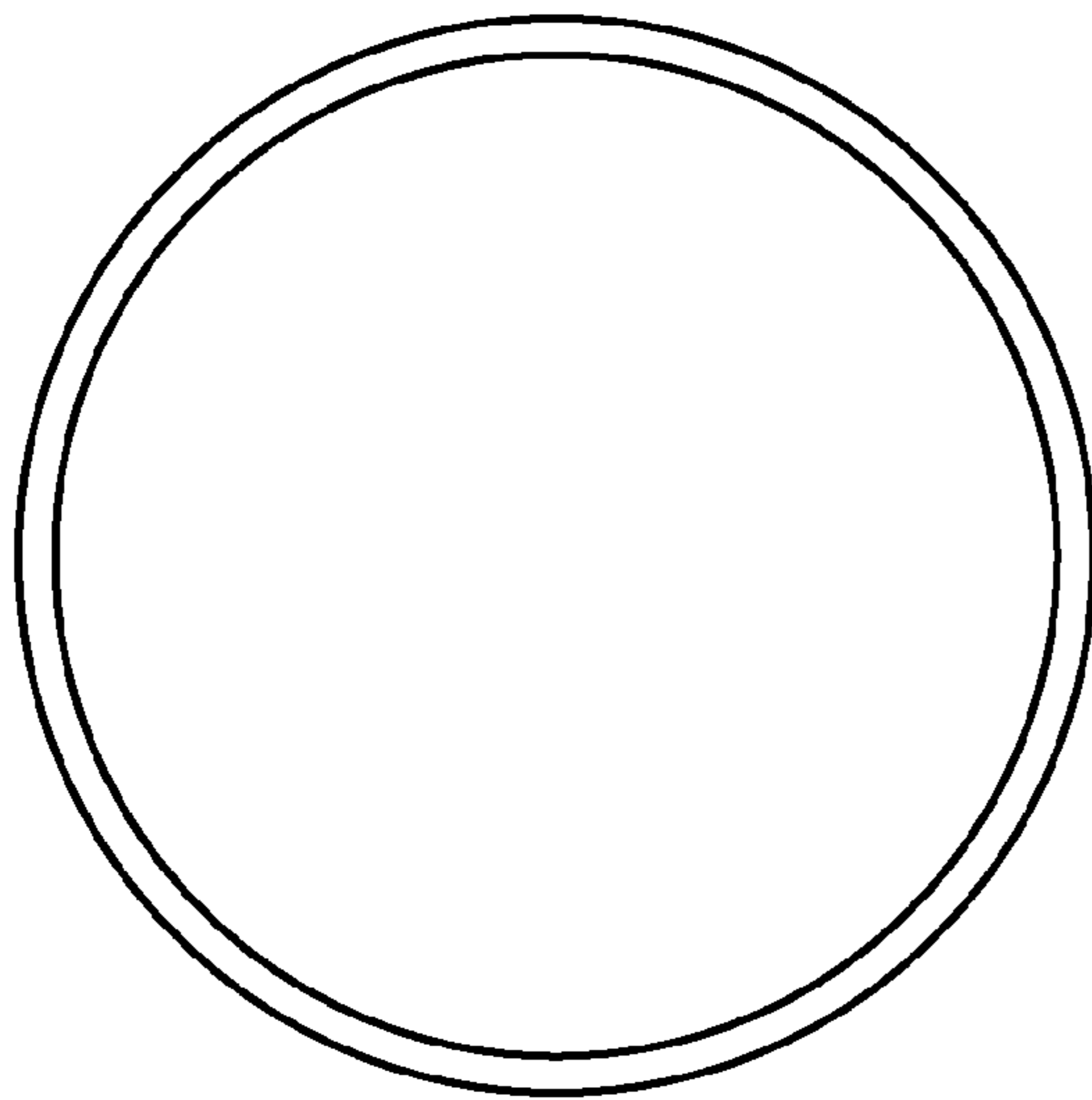


FIG. 6



FIG. 7

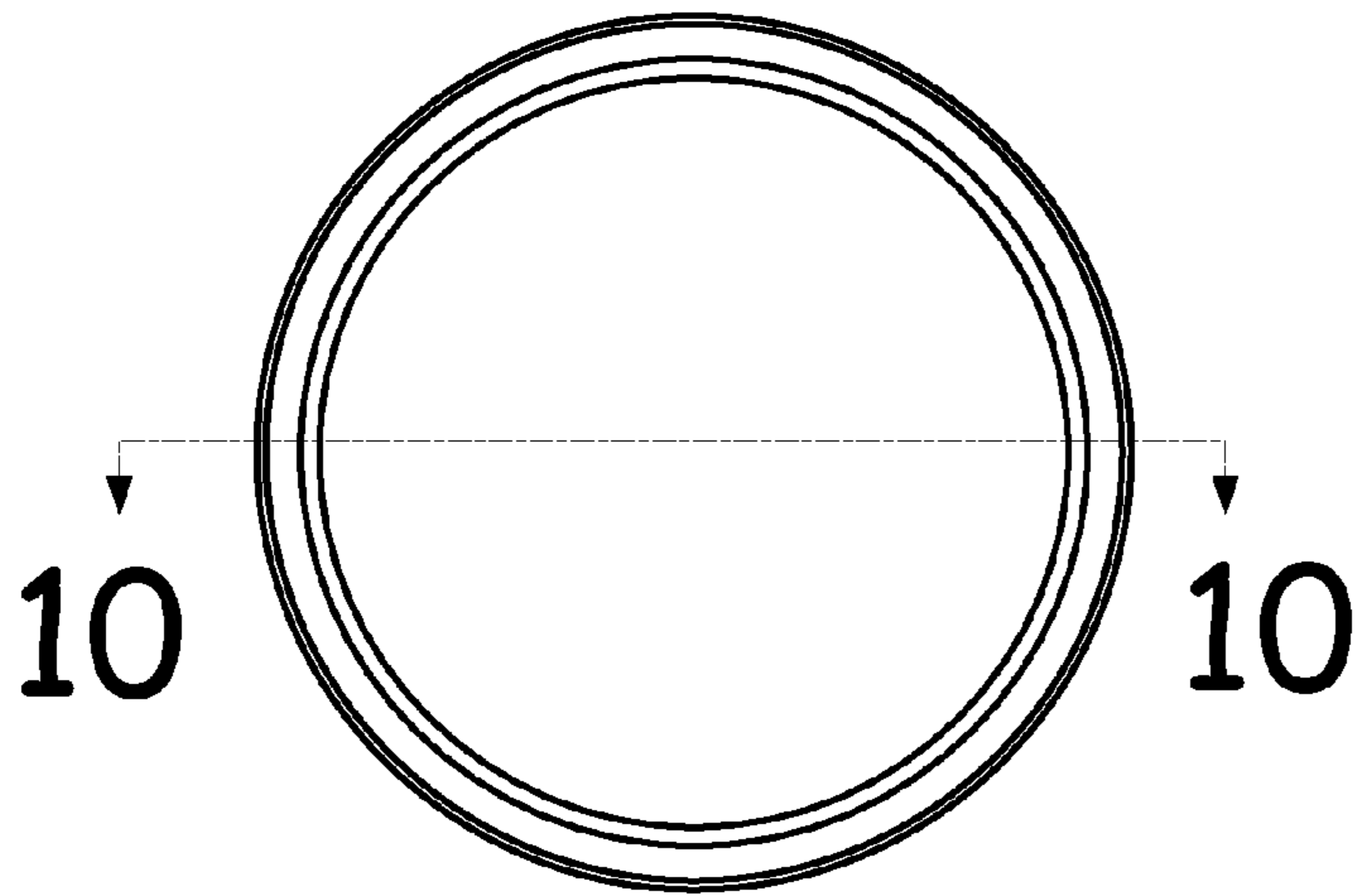


FIG. 8

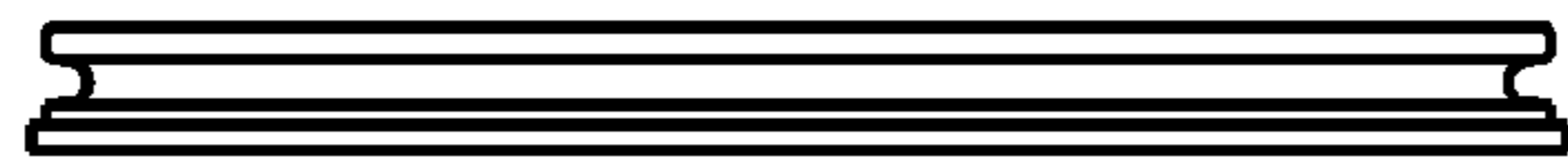


FIG. 9



FIG. 10

FIG. 11

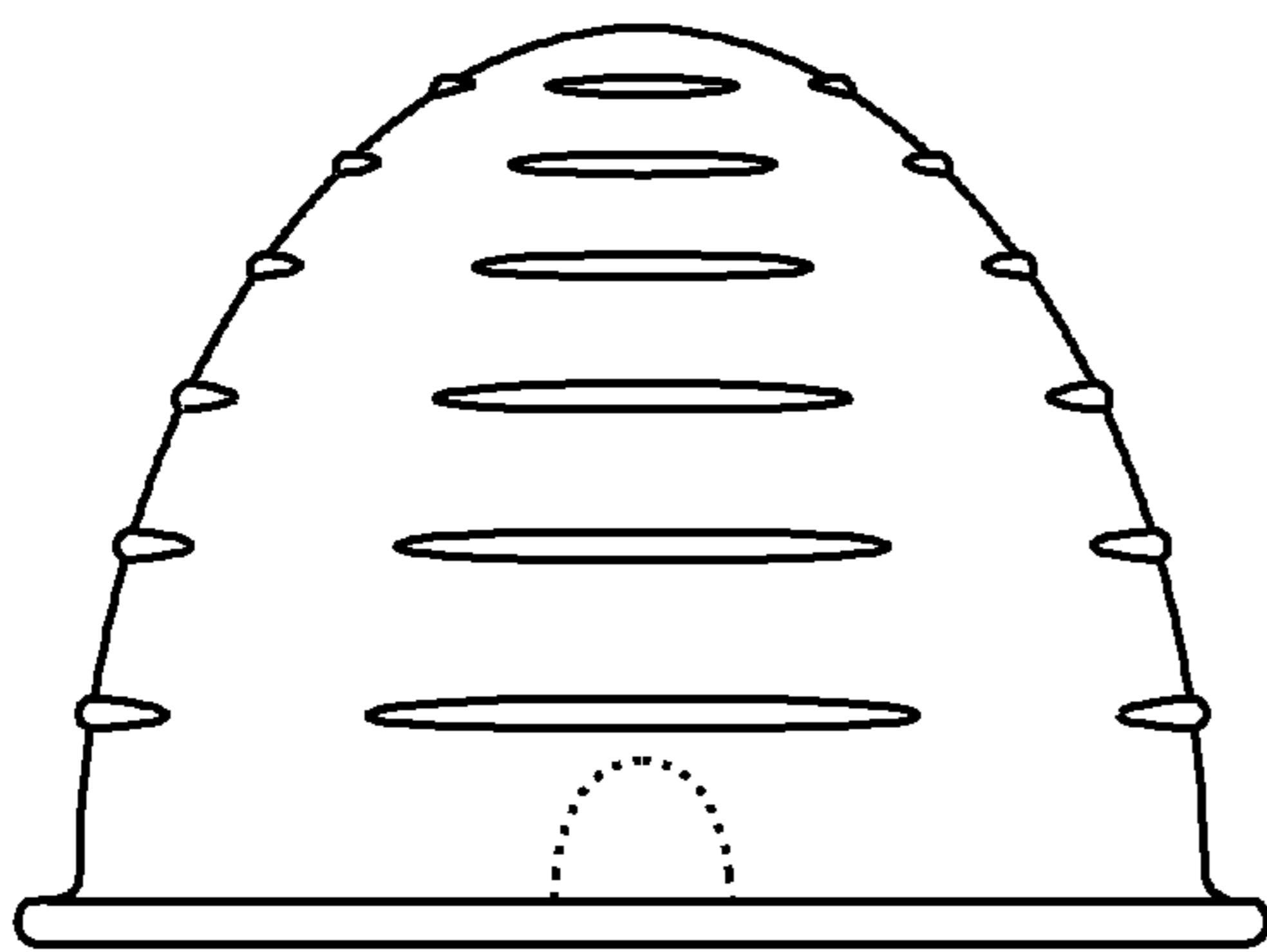
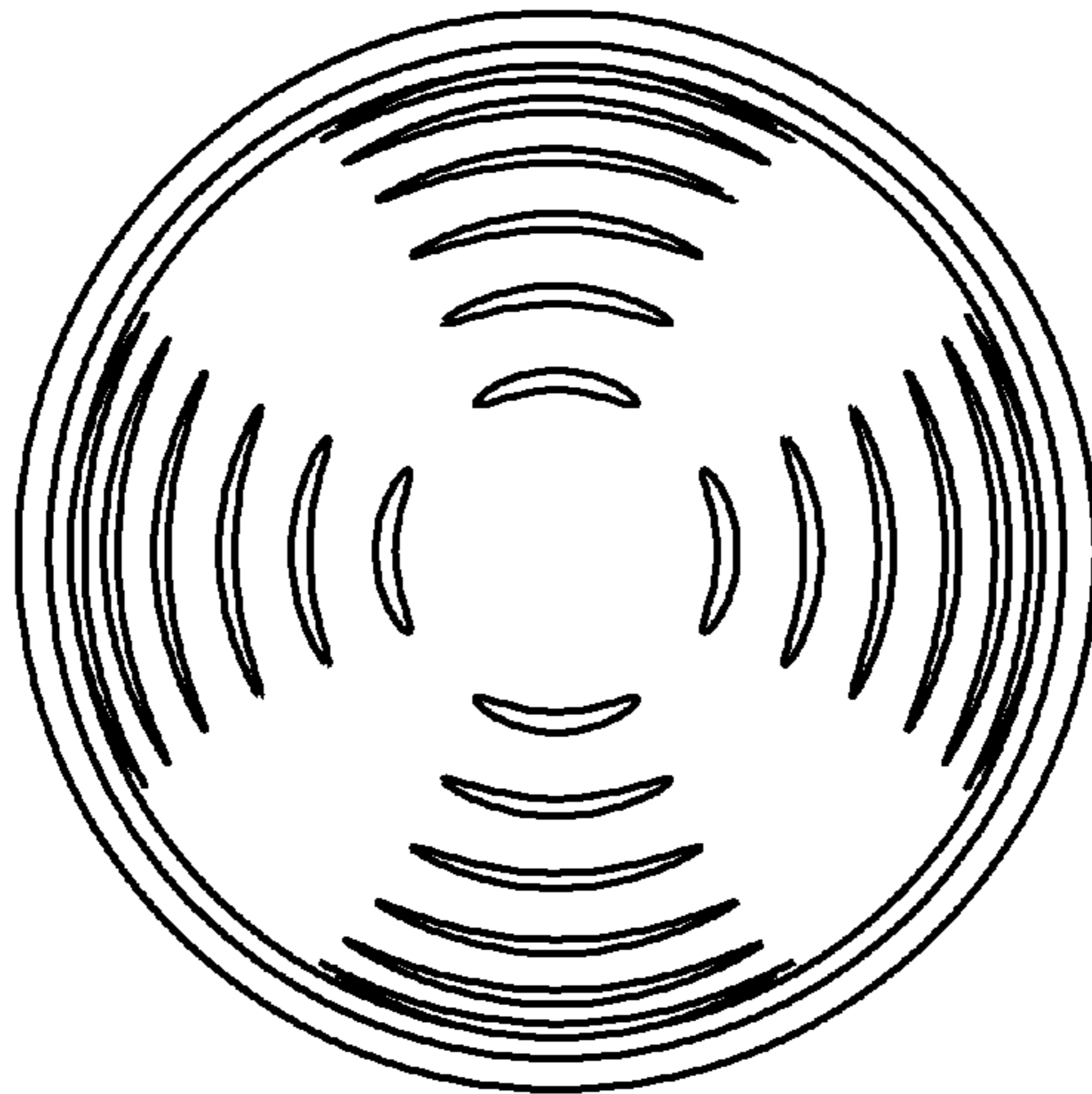


FIG. 12

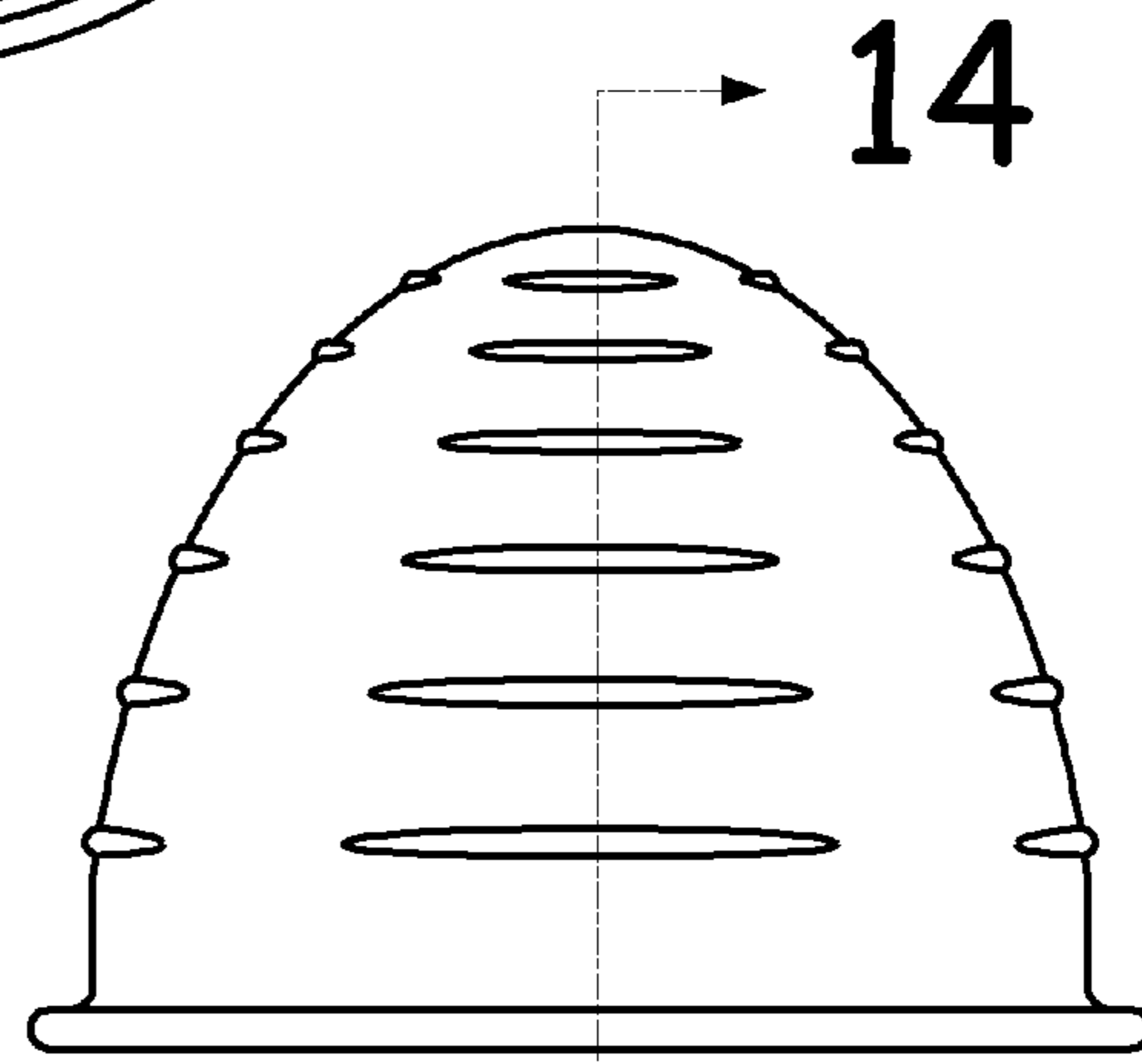


FIG. 13

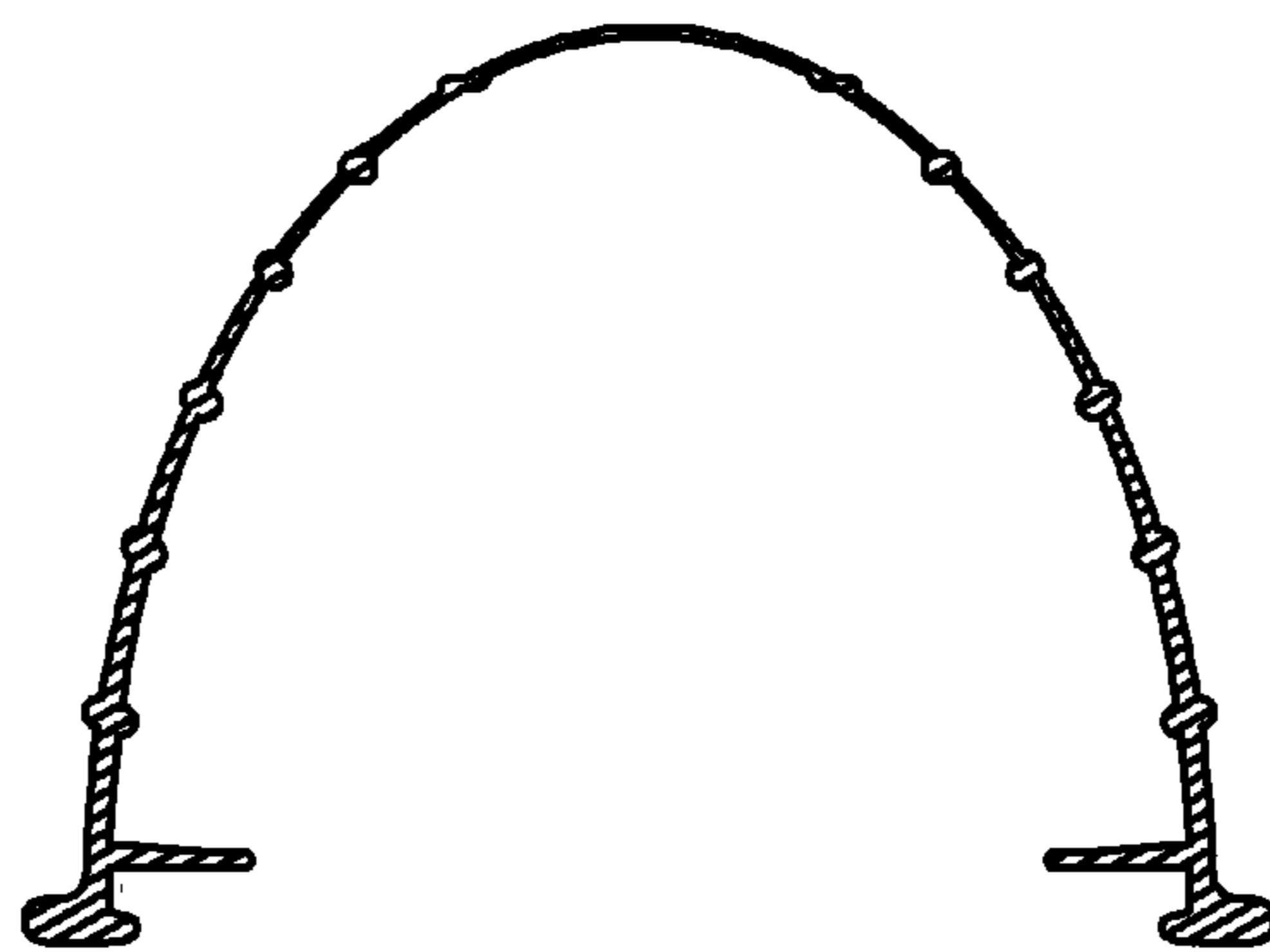


FIG. 14

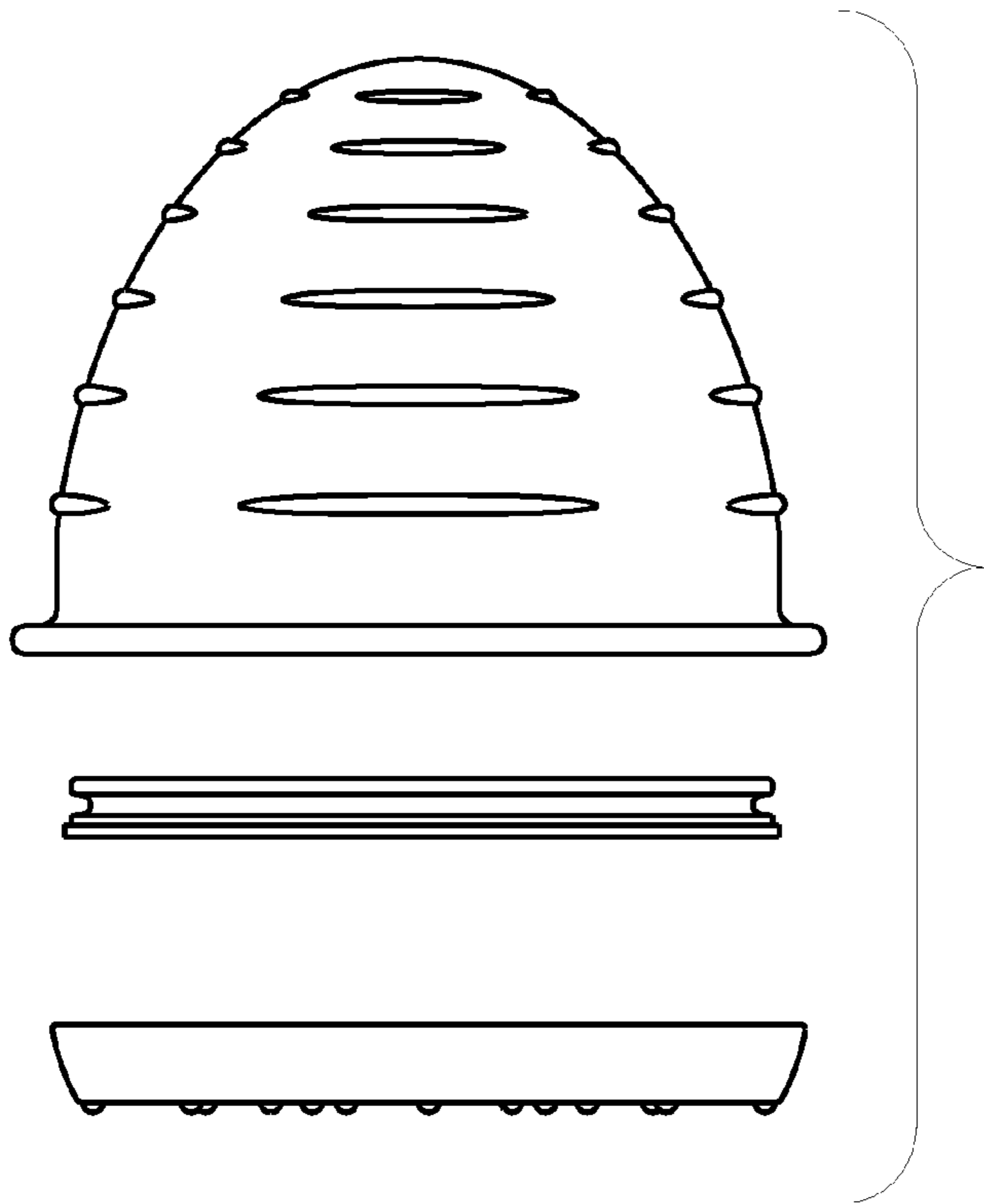


FIG. 15

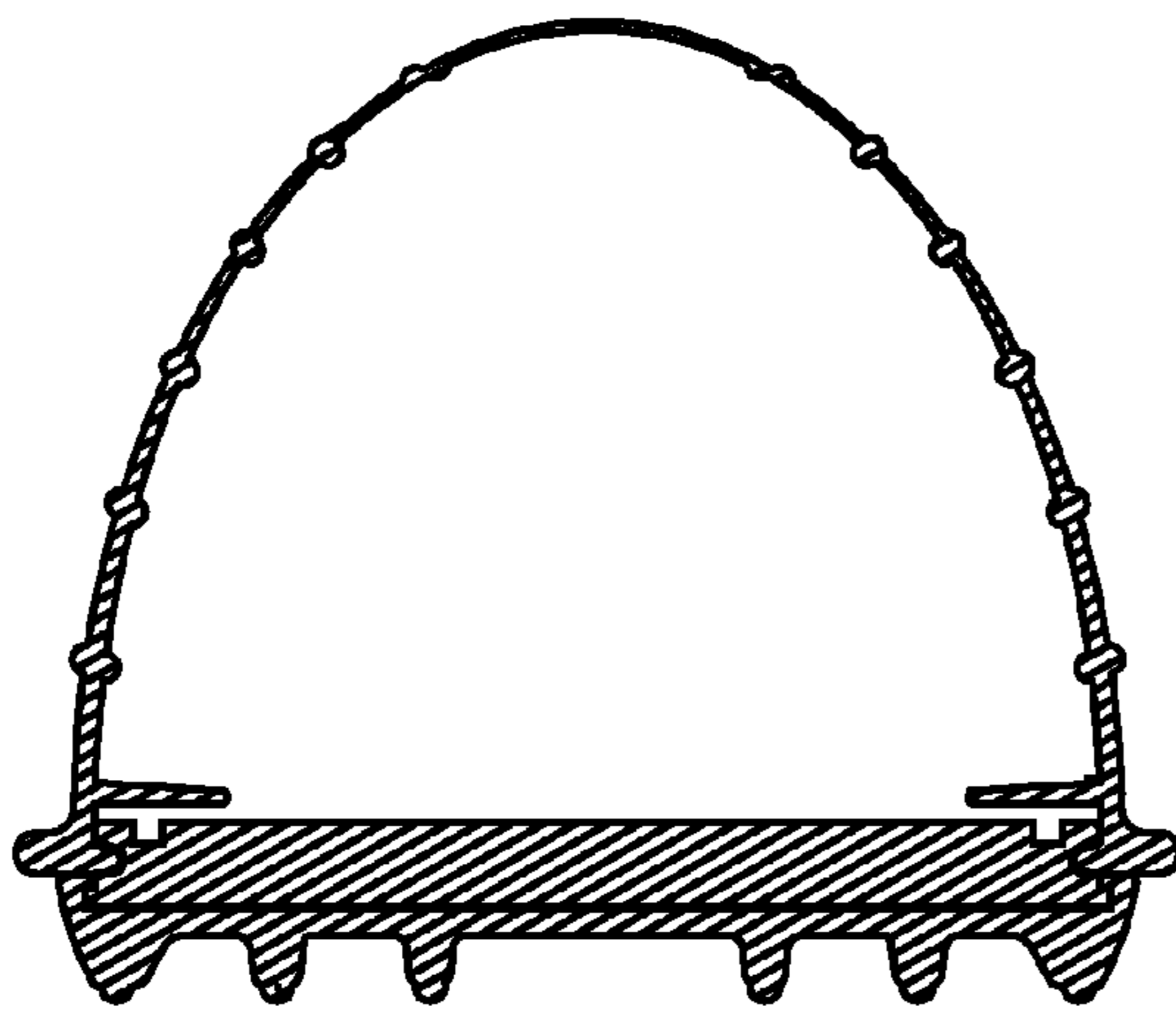


FIG. 16

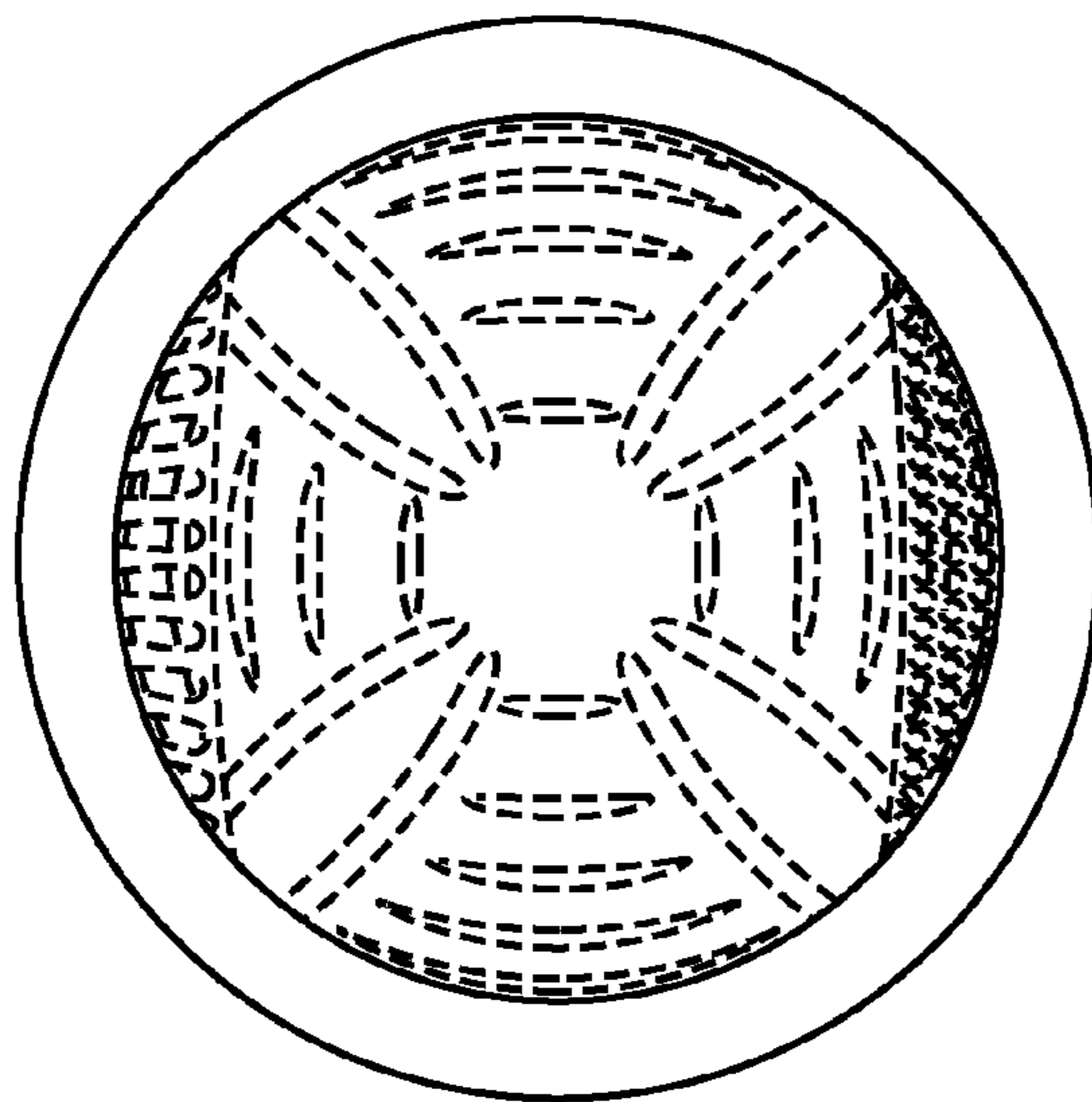


FIG. 17