

US00D662762S

(12) **United States Design Patent**
Chung

(10) **Patent No.:** **US D662,762 S**
(45) **Date of Patent:** **** Jul. 3, 2012**

(54) **ROASTER**

(76) Inventor: **Kiosky Chung**, Taichung (TW)

(**) Term: **14 Years**

(21) Appl. No.: **29/405,378**

(22) Filed: **Nov. 1, 2011**

(51) **LOC (9) Cl.** **07-02**

(52) **U.S. Cl.** **D7/354**

(58) **Field of Classification Search** D6/631;
D7/323, 329-332, 337, 339, 346-347, 350.1-350.4,
D7/353-367, 391, 393, 395, 402, 406, 538,
D7/502, 539, 613, 615, 628, 669; 99/324-325,
99/331-332, 337-348, 369, 400-418, 422,
99/425, 444, 451, 483, 644; 219/400, 405,
219/429-442, 620-624, 725, 730-735; 220/203.05,
220/203.07, 203.09, 298, 315-316, 573.1-573.5,
220/632, 912; 426/438, 441, 510
See application file for complete search history.

(56) **References Cited**

U.S. PATENT DOCUMENTS

D302,641 S * 8/1989 Elmburg D7/332
D415,925 S * 11/1999 Pai D7/337
D455,598 S * 4/2002 Pai D7/337

D461,360 S * 8/2002 Bossler D7/337
D464,844 S * 10/2002 Pai D7/337
D498,113 S * 11/2004 Zhang D7/332
D498,114 S * 11/2004 Zhang D7/337
D503,868 S * 4/2005 Pai D7/337
D504,275 S * 4/2005 Pai D7/337
D511,266 S * 11/2005 Pai D7/337
D514,870 S * 2/2006 Chung D7/337
D600,970 S * 9/2009 Chung D7/337
D630,465 S * 1/2011 Chung D7/337

* cited by examiner

Primary Examiner — Ricky Pham

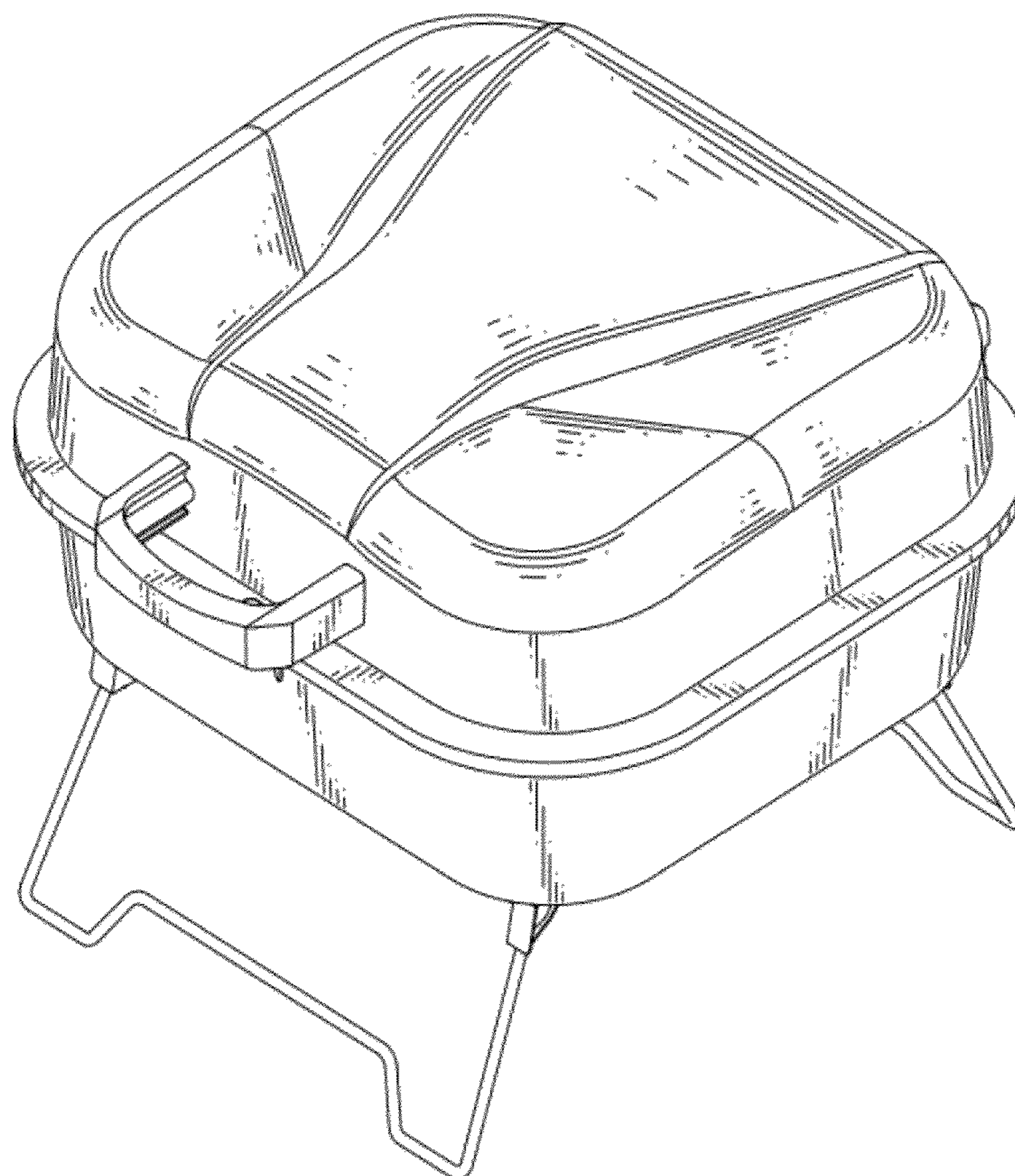
(57) **CLAIM**

The ornamental design for a roaster, as shown and described.

DESCRIPTION

FIG. 1 is a perspective view of a roaster showing my new design;
FIG. 2 is another perspective view of a roaster showing my new design;
FIG. 3 is a front elevational view thereof;
FIG. 4 is a rear elevational view thereof;
FIG. 5 is a left side view thereof;
FIG. 6 is a right side view thereof;
FIG. 7 is a top plan view thereof; and,
FIG. 8 is a bottom plan view thereof.

1 Claim, 8 Drawing Sheets



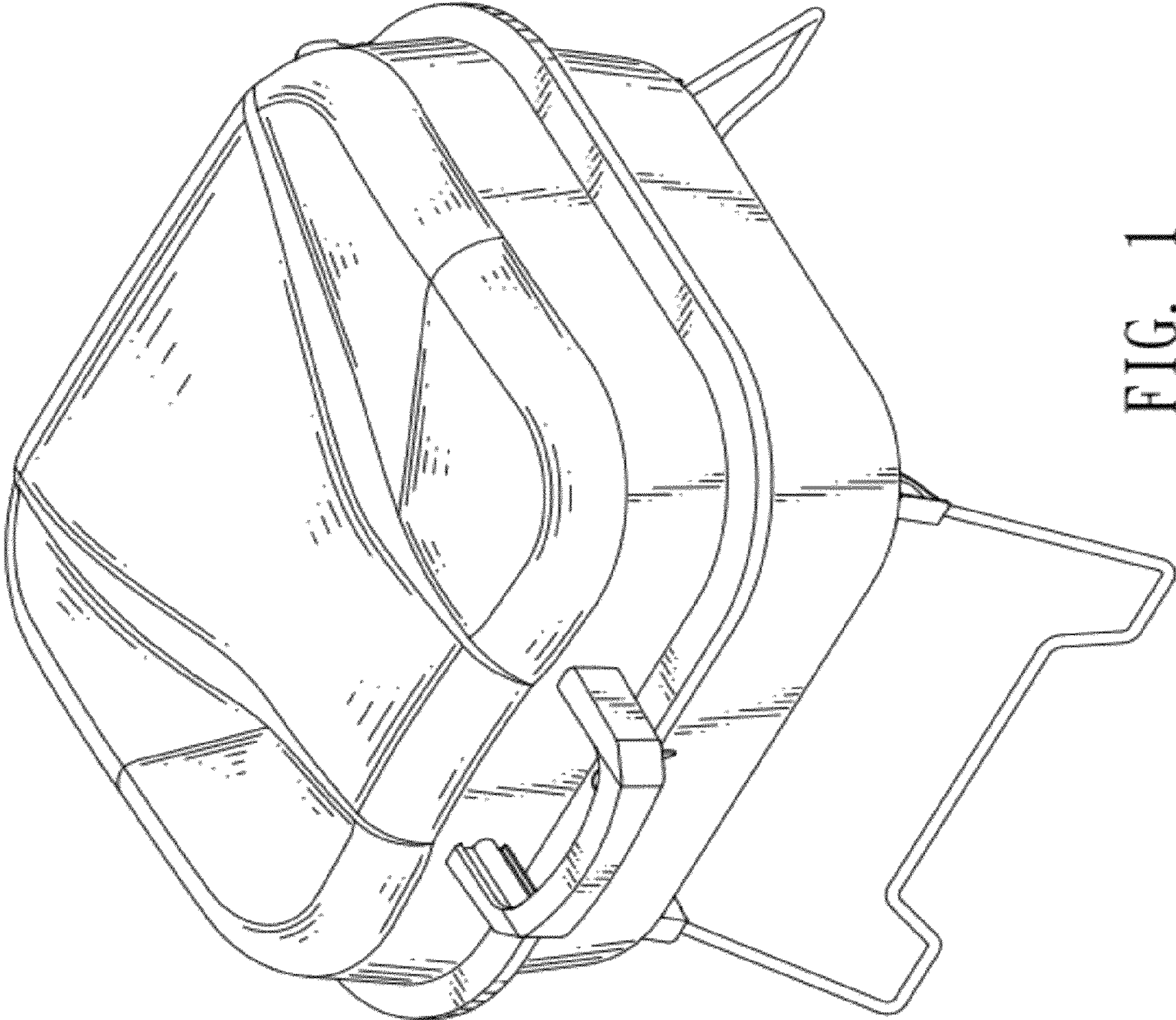


FIG. 1

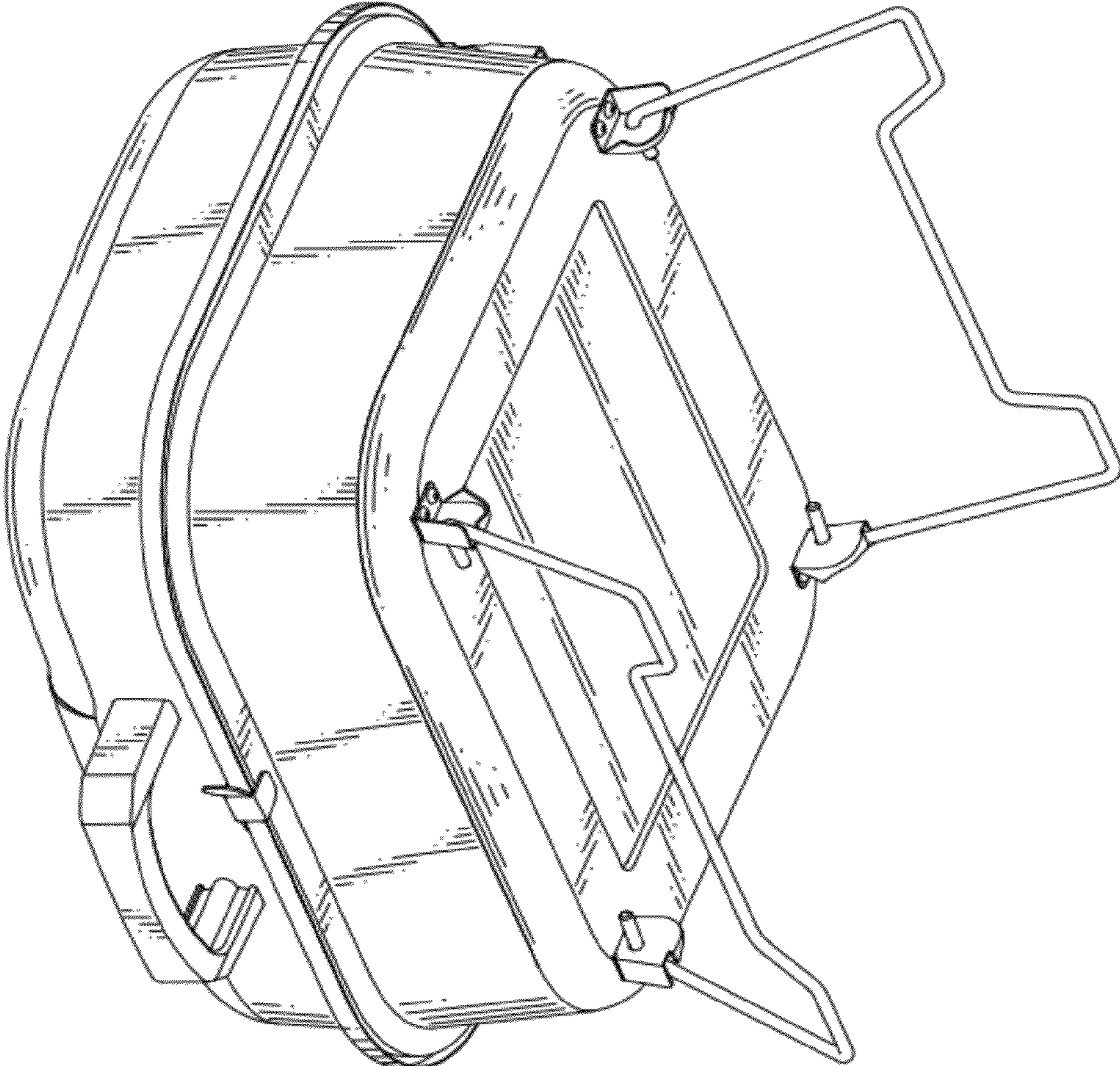


FIG. 2

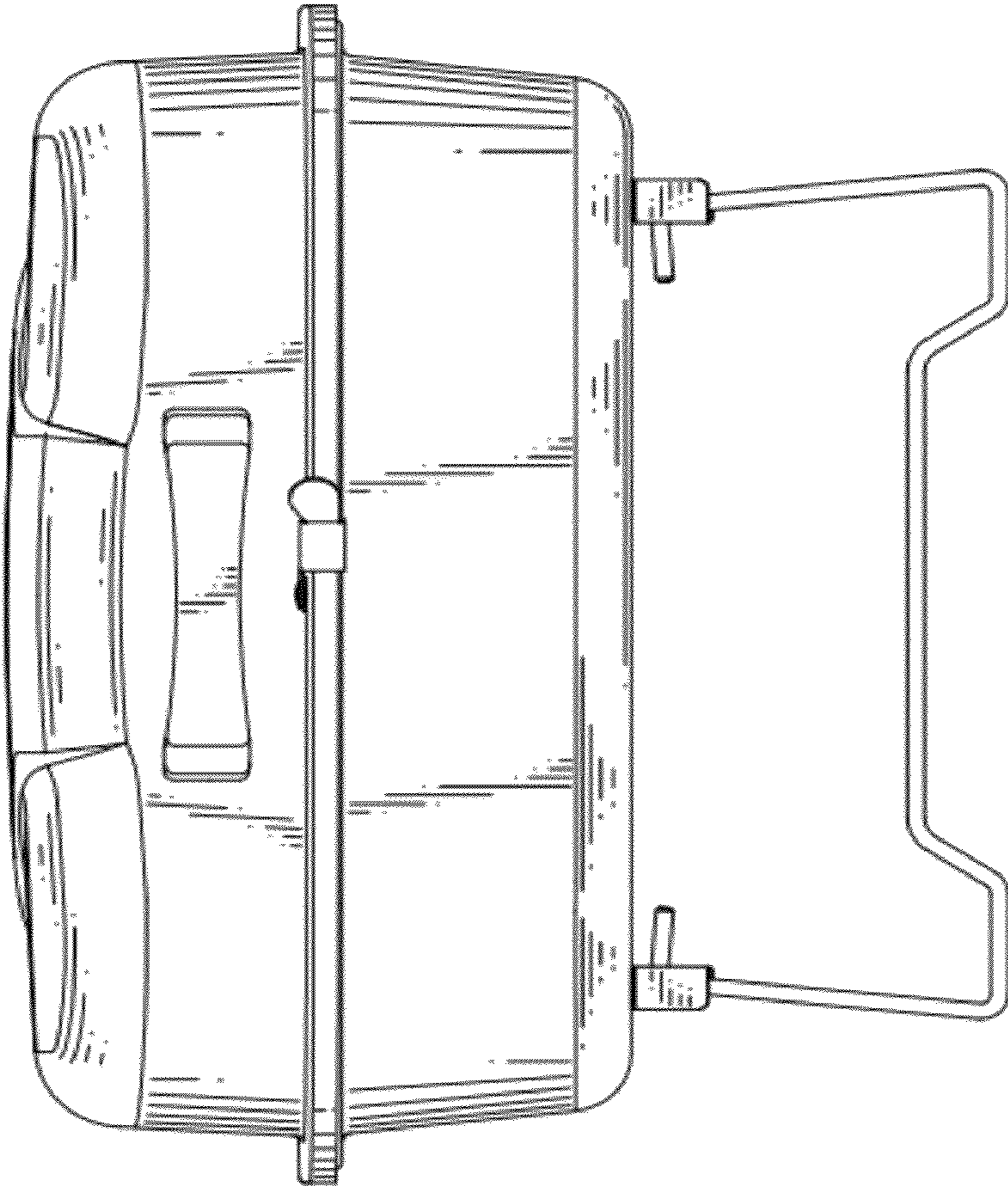


FIG. 3

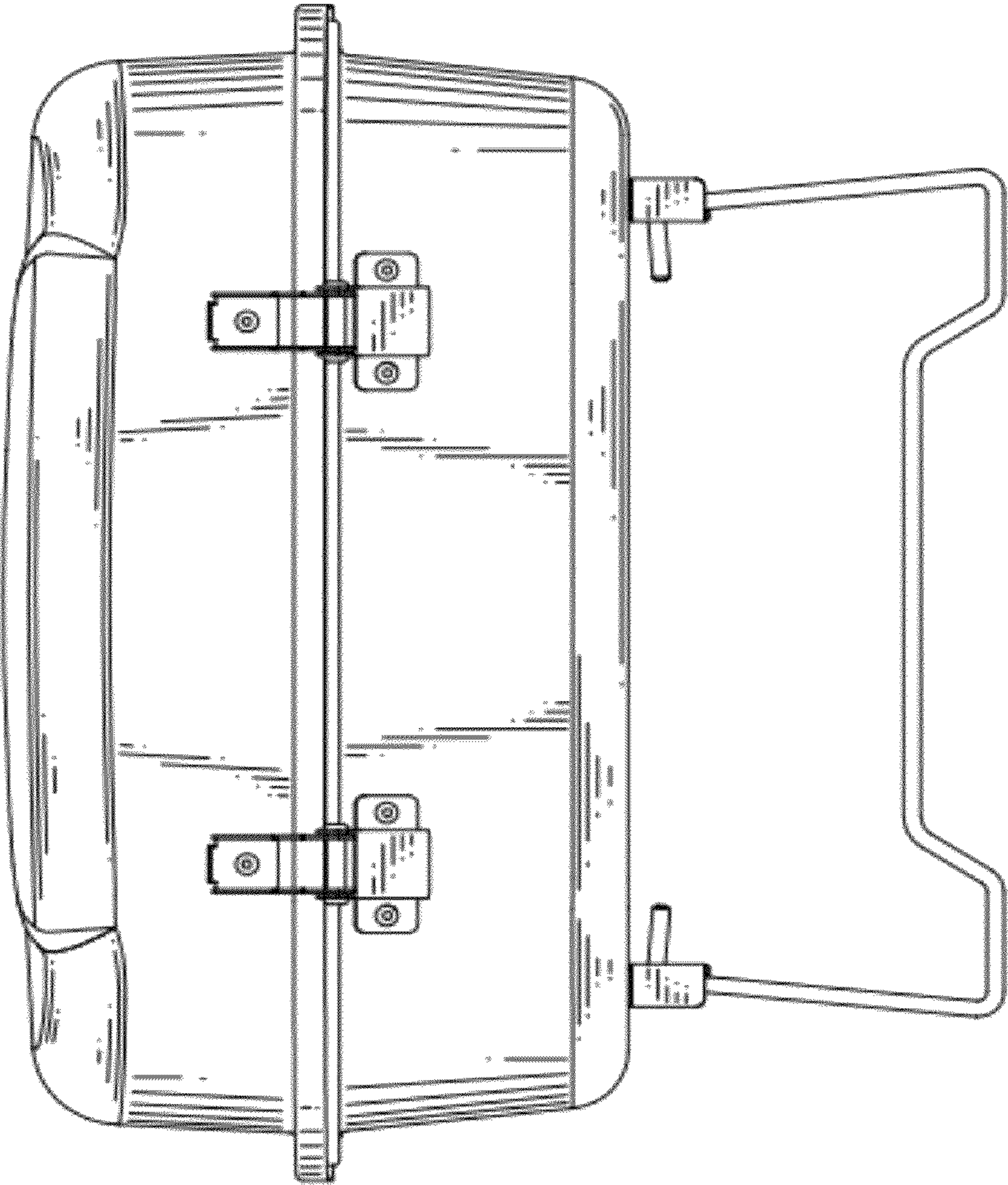


FIG. 4

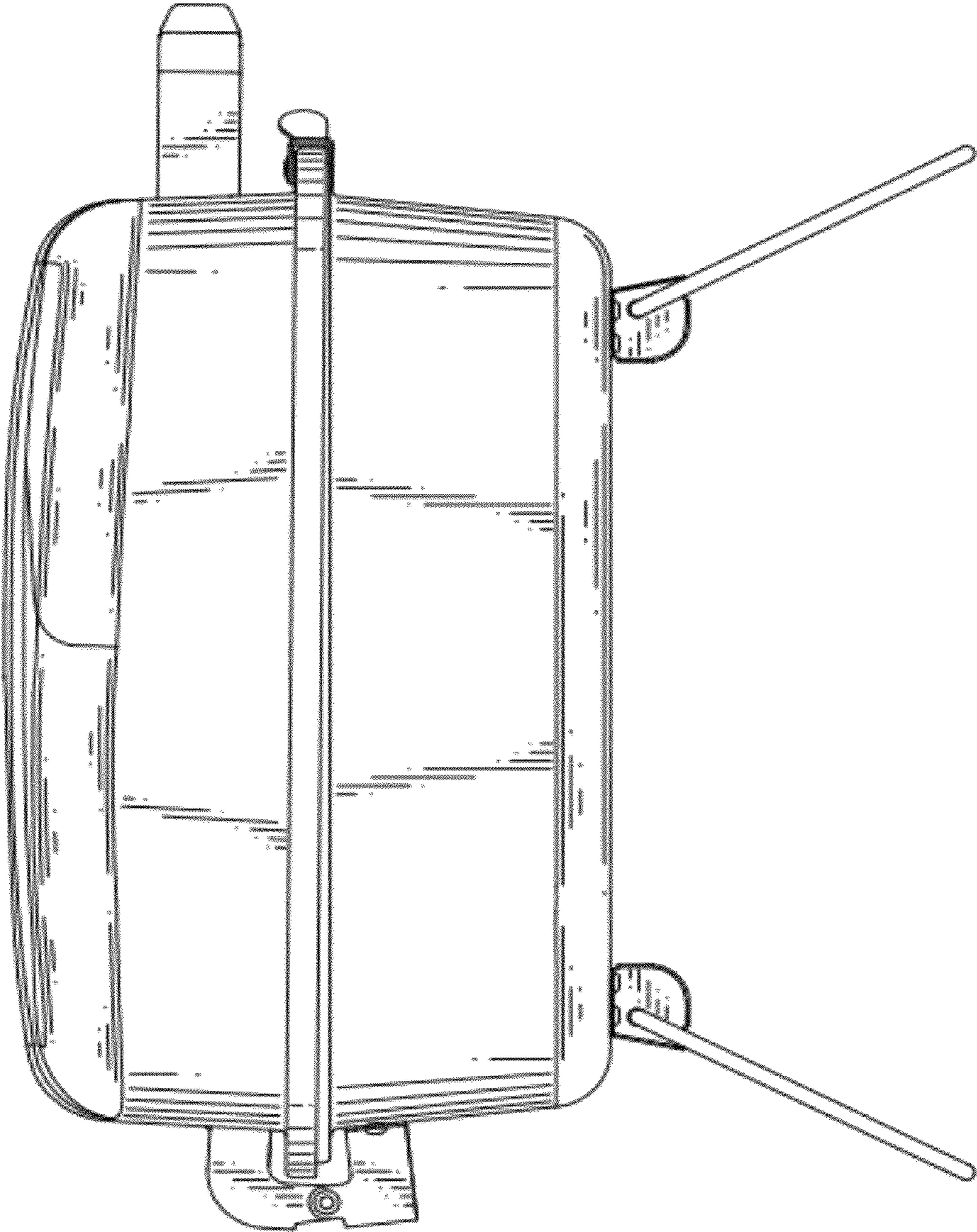


FIG. 5

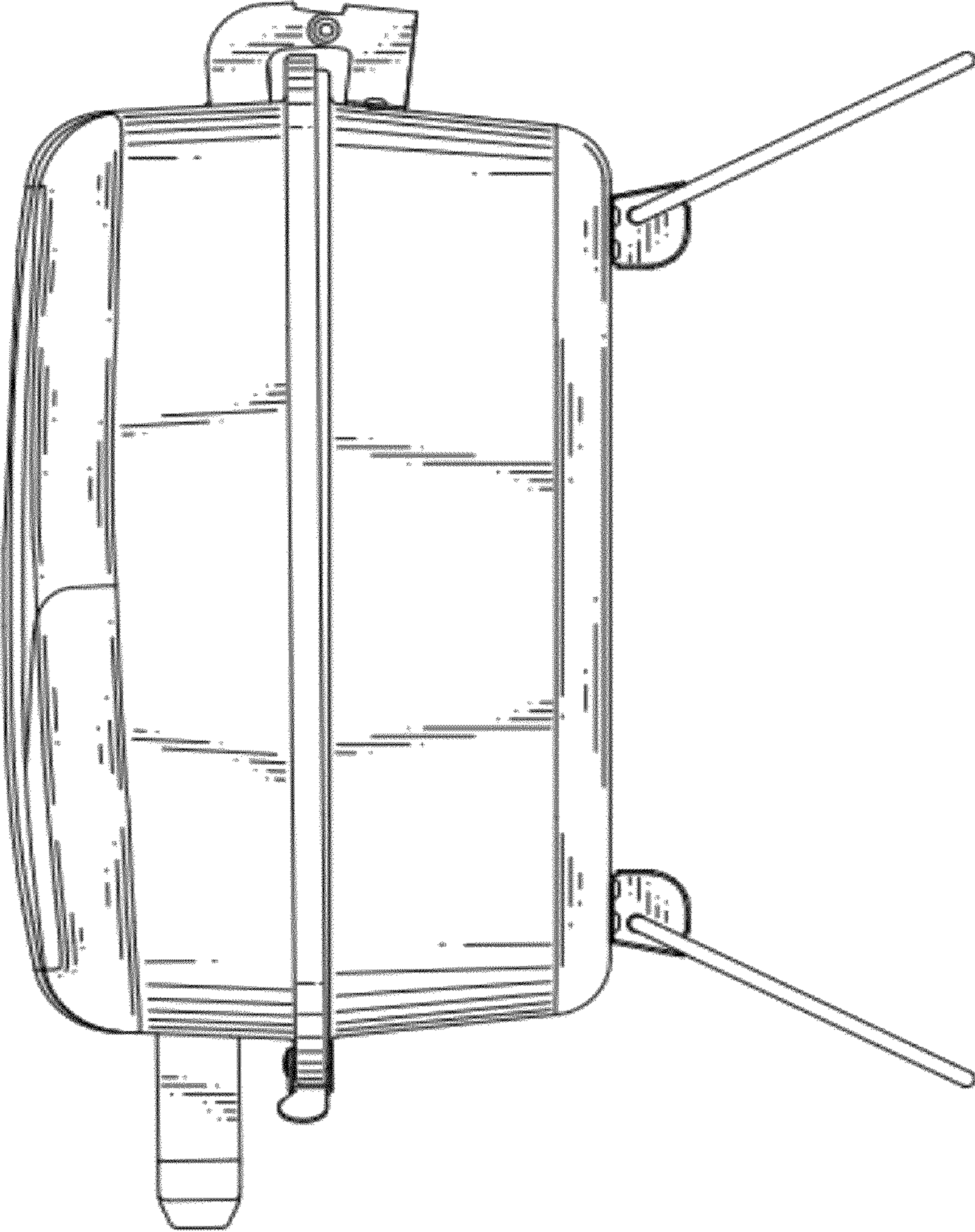


FIG. 6

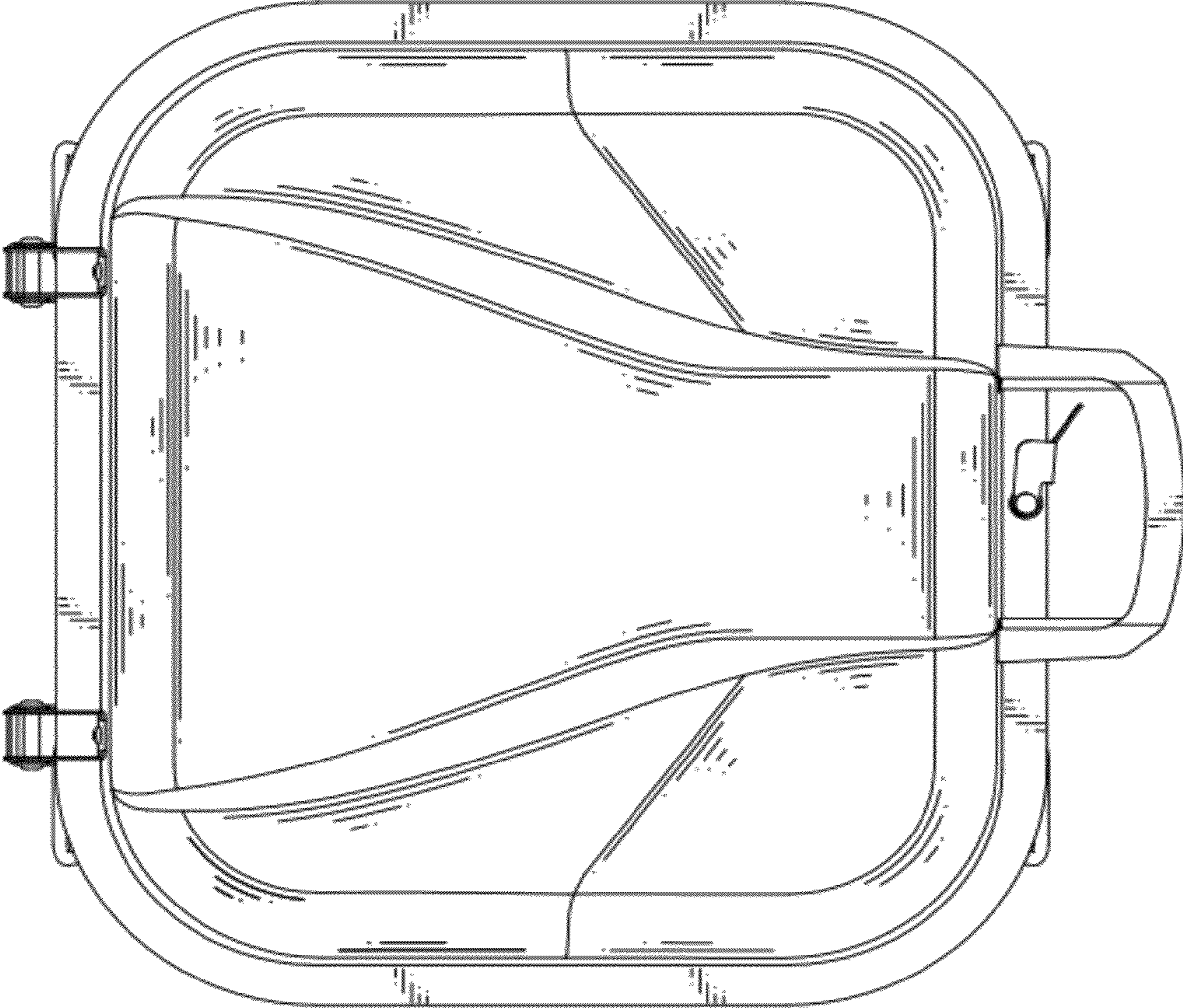


FIG. 7

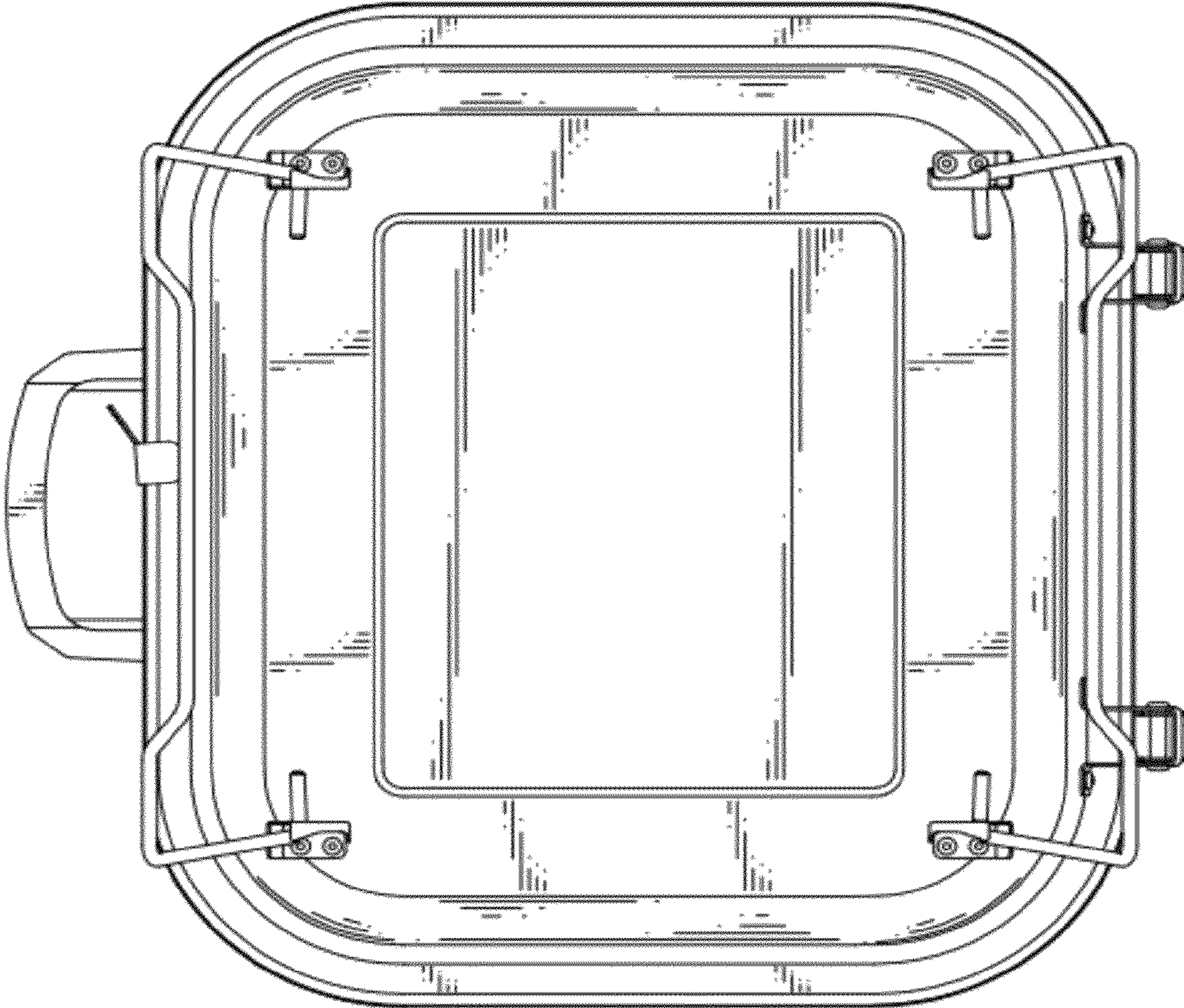


FIG. 8