

US00D662761S

(12) **United States Design Patent**
Wahl

(10) **Patent No.:** **US D662,761 S**
(45) **Date of Patent:** **** Jul. 3, 2012**

- (54) **COOKING CONTAINER**
- (75) Inventor: **Andrew C. F. Wahl**, Seattle, WA (US)
- (73) Assignee: **Pacific Market International, LLC**,
Seattle, WA (US)
- (**) Term: **14 Years**
- (21) Appl. No.: **29/381,142**
- (22) Filed: **Dec. 15, 2010**
- (51) **LOC (9) Cl.** **07-02**
- (52) **U.S. Cl.** **D7/354**
- (58) **Field of Classification Search** D7/306–307,
D7/313, 323, 332–334, 354–363, 391, 402,
D7/505, 538–545, 552.1, 554.3–554.4, 560,
D7/566, 585–588, 601–602, 610–615, 619.2,
D7/628–629, 675; D9/424–432, 456, 522,
D9/633, 643, 760–761, 773; D34/39; 99/324,
99/339–340, 426; 220/23.2–23.6, 573.1–573.3,
220/574–575, 657, 780–806, 912; 249/117,
249/121–122, 126, 134
See application file for complete search history.

| | | | | |
|--------------|---------|-----------------|-------|--------|
| D526,208 S * | 8/2006 | Klein et al. | | D9/633 |
| D529,749 S * | 10/2006 | Allen et al. | | D7/306 |
| D530,141 S * | 10/2006 | Wilgus et al. | | D7/313 |
| D550,022 S * | 9/2007 | Amajuwon et al. | | D7/332 |
| D576,833 S * | 9/2008 | Mansell | | D7/332 |
| D585,236 S * | 1/2009 | McGinn | | D7/360 |
| D592,442 S * | 5/2009 | Rutter et al. | | D7/334 |
| D593,353 S * | 6/2009 | Hoffman et al. | | D7/306 |
| D598,698 S * | 8/2009 | Lee | | D7/332 |
| D612,658 S * | 3/2010 | Schenk | | D7/307 |
| D625,543 S * | 10/2010 | Fitzgerald | | D7/332 |
| D629,244 S * | 12/2010 | McLemore et al. | | D7/332 |
| D634,965 S * | 3/2011 | Martinez | | D7/332 |
| D635,734 S * | 4/2011 | Rendall | | D34/39 |
| D642,416 S * | 8/2011 | Scott et al. | | D7/332 |
| D650,215 S * | 12/2011 | Chung | | D7/332 |

* cited by examiner

Primary Examiner — Ricky Pham
(74) *Attorney, Agent, or Firm* — Davis Wright Tremaine
LLP; George C. Rondeau, Jr.

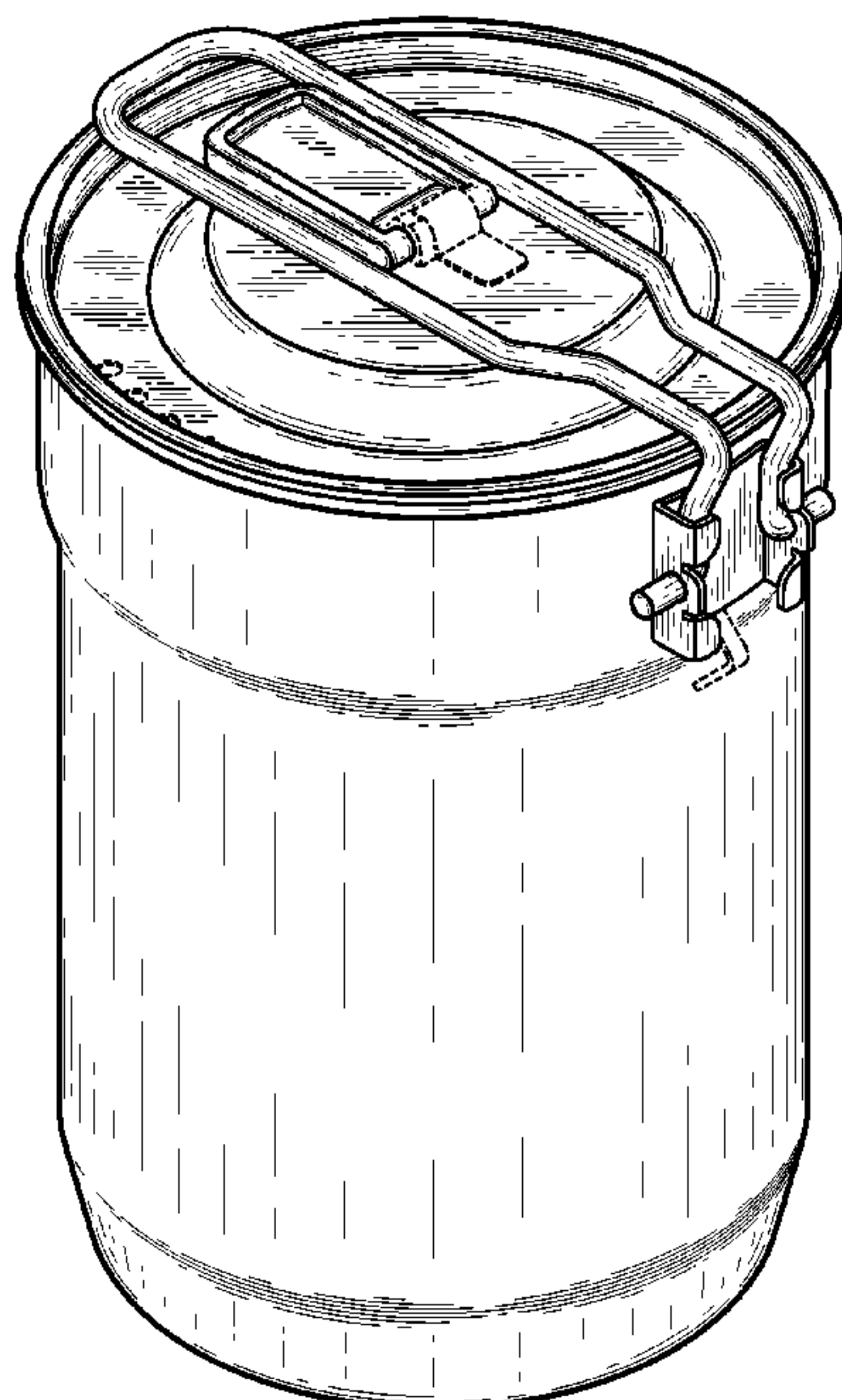
(57) **CLAIM**
The ornamental design for a cooking container, as shown and described.

DESCRIPTION

FIG. 1 is a top left side perspective view of a cooking container showing my new design.
FIG. 2 is a rear elevational view thereof.
FIG. 3 is a front elevational view thereof.
FIG. 4 is a right side elevational view thereof.
FIG. 5 is a left side elevational view thereof.
FIG. 6 is a top plan view thereof; and,
FIG. 7 is a bottom plan view thereof.
The broken lines represent portions of the cooking container that form no part of the claim.

1 Claim, 4 Drawing Sheets

- (56) **References Cited**
- U.S. PATENT DOCUMENTS
- D222,310 S * 10/1971 Zaunbrecher D7/332
- D309,861 S * 8/1990 Farrar D9/773
- D347,973 S * 6/1994 McBride D7/619.2
- D356,713 S * 3/1995 Groover D7/306
- 5,531,154 A * 7/1996 Perez, III 99/340
- 6,446,545 B2 * 9/2002 Rigney 99/339
- D481,903 S * 11/2003 Hester D7/332
- D486,348 S * 2/2004 Zhu D7/332
- D489,932 S * 5/2004 Picozza et al. D7/313
- D524,091 S * 7/2006 Lai D7/332



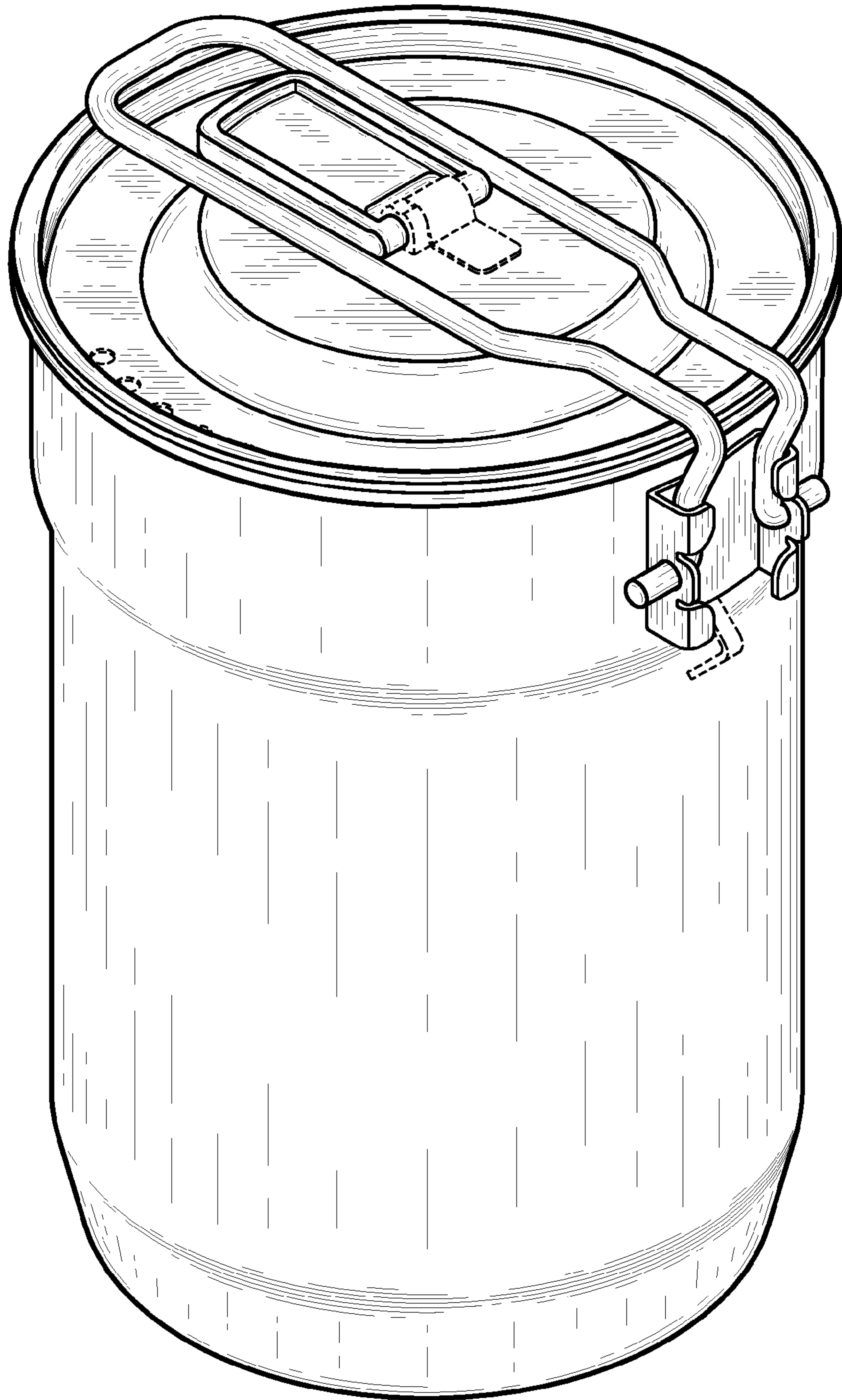


Fig. 1

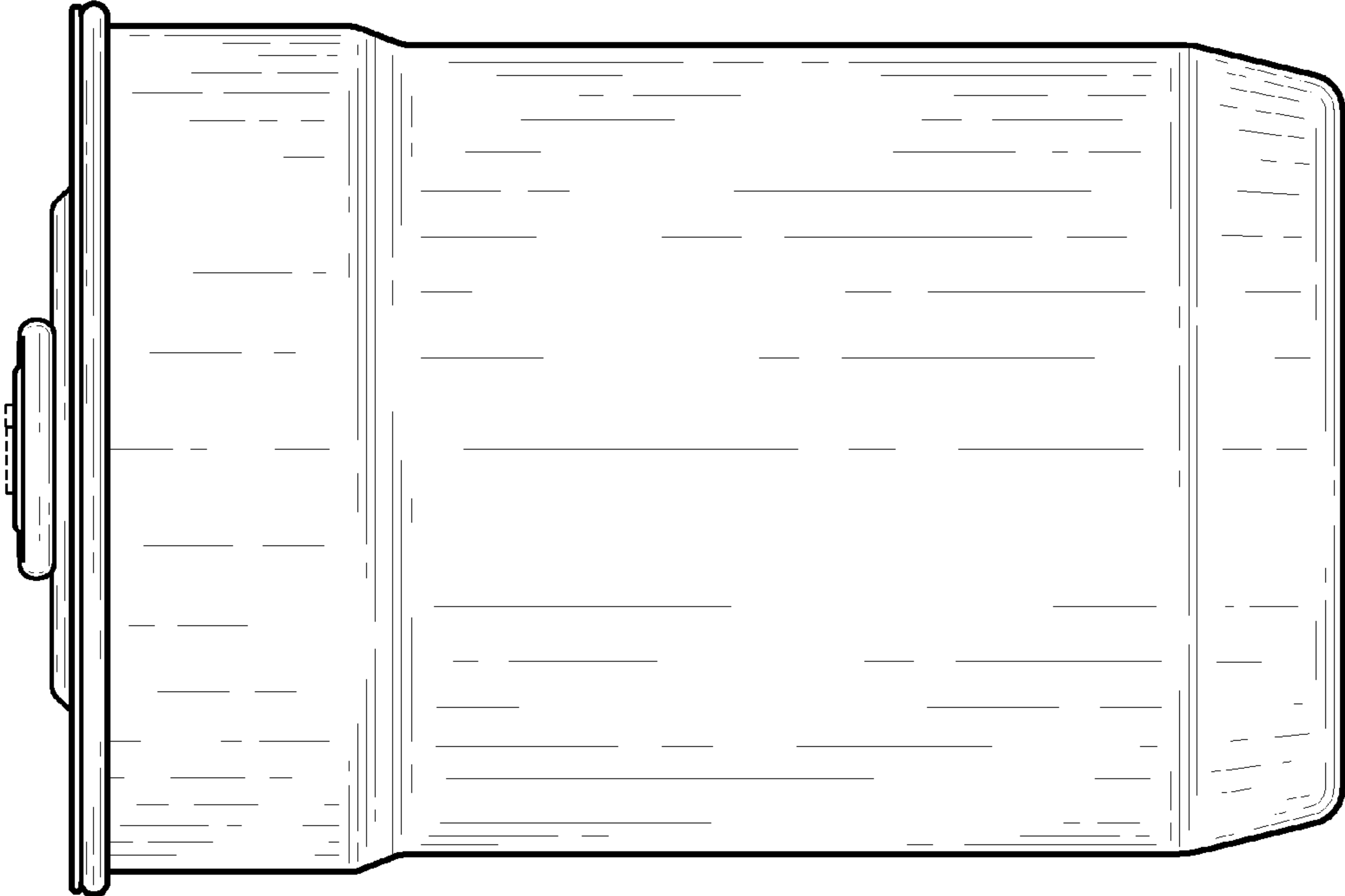


Fig. 3

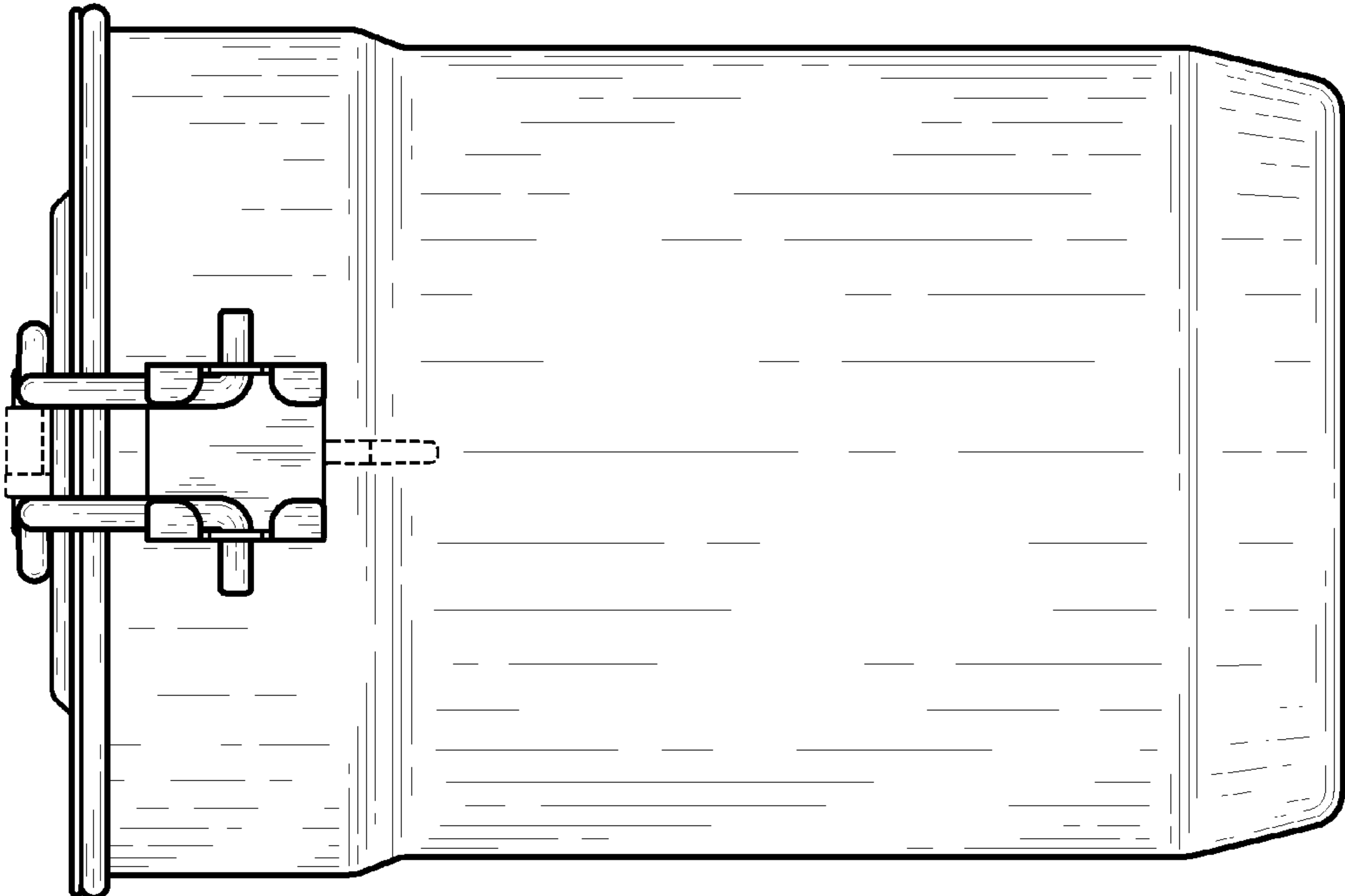


Fig. 2

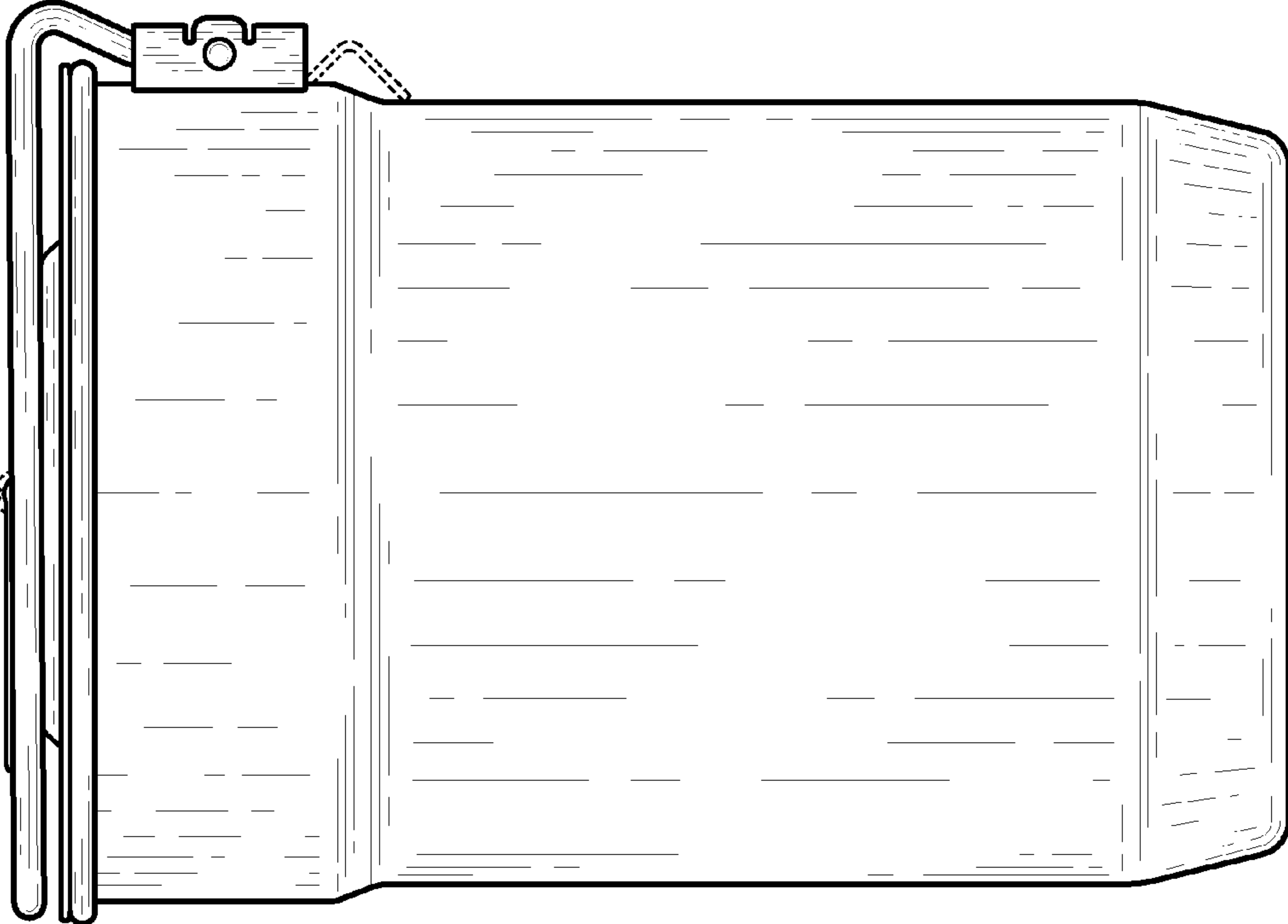


Fig. 5

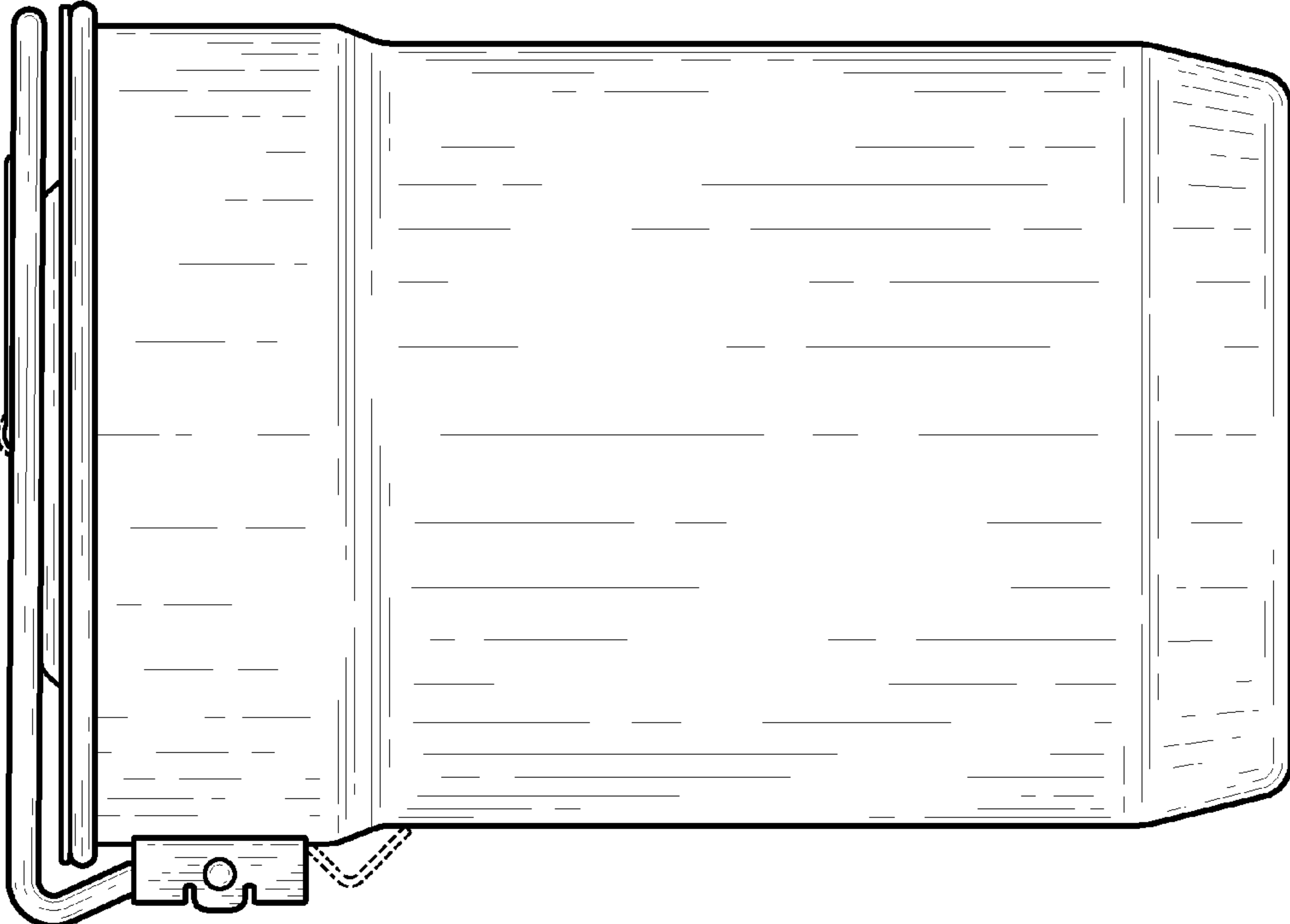


Fig. 4

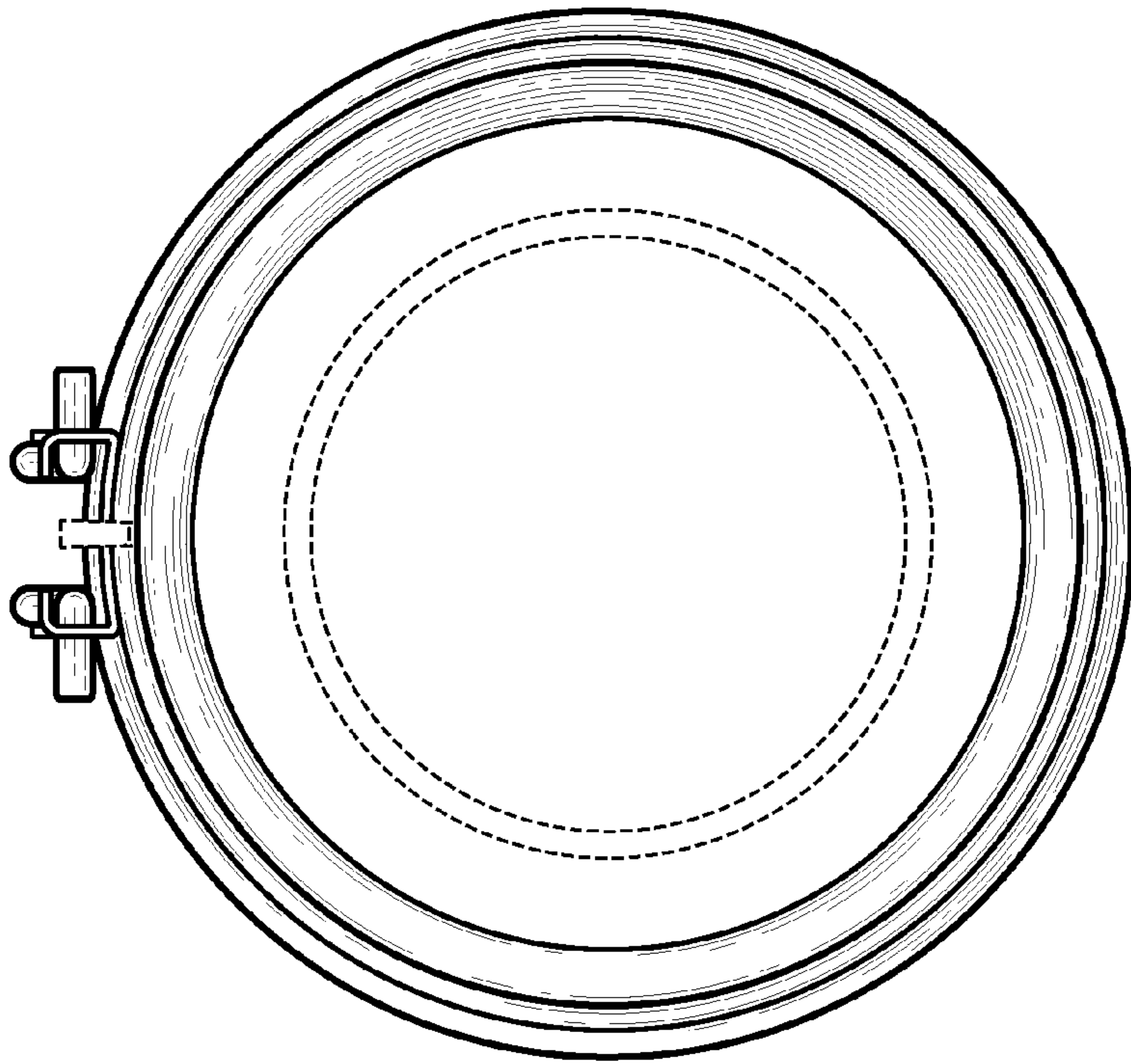


Fig. 7

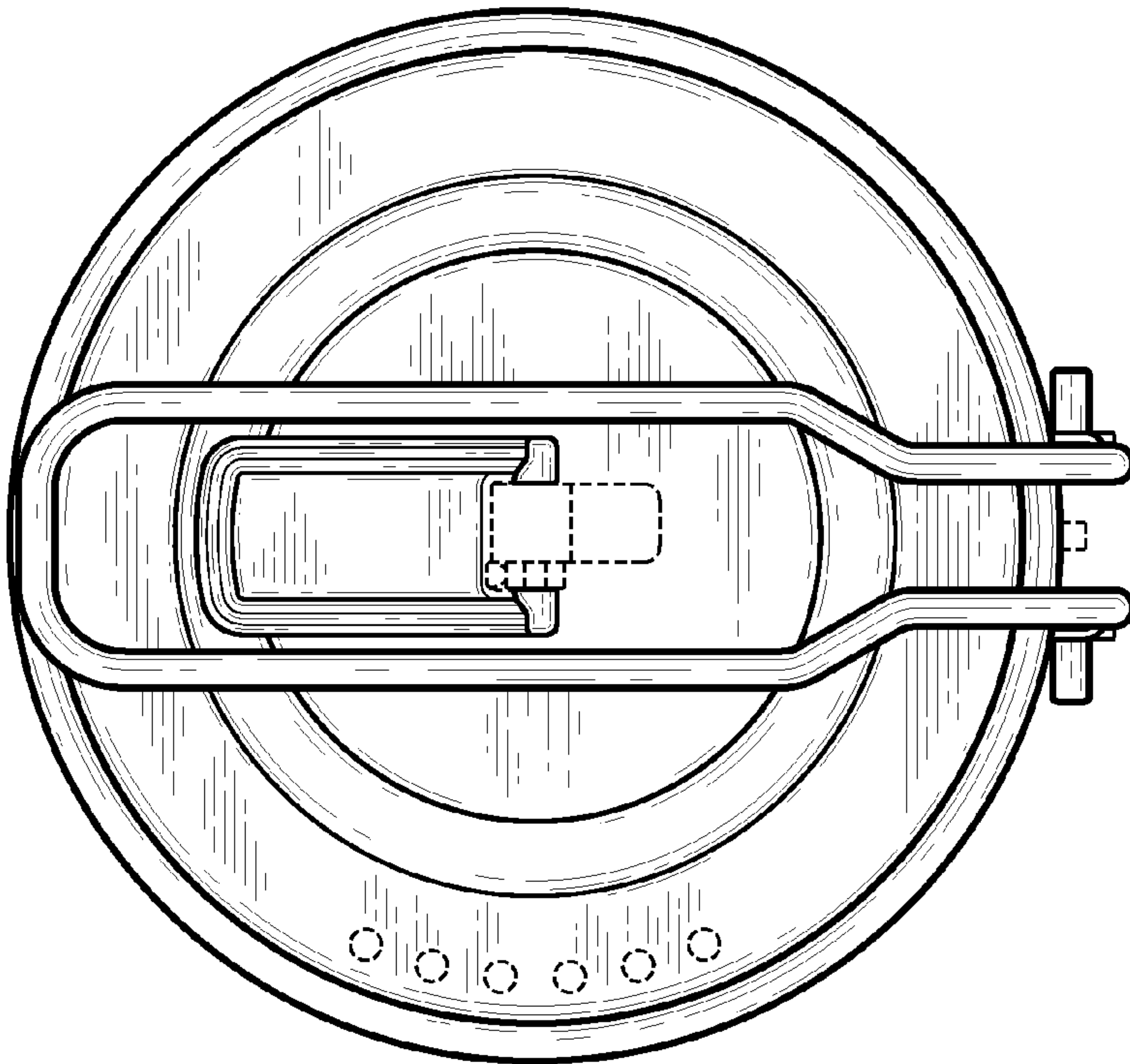


Fig. 6