



US00D662758S

(12) **United States Design Patent**  
**Pascot**

(10) **Patent No.:** **US D662,758 S**  
(45) **Date of Patent:** **\*\* Jul. 3, 2012**

(54) **TEAPOT**

D257,313 S \* 10/1980 Painter et al. .... D7/317  
D266,475 S \* 10/1982 Everhan ..... D7/321  
D407,943 S \* 4/1999 Chen ..... D7/322

(75) Inventor: **Jacques Pascot**, St. Léger sur Dheune  
(FR)

**FOREIGN PATENT DOCUMENTS**

(73) Assignee: **Tpresso SA**, Saint-Barthelemy (CH)

EM 000478698-0005 2/2006  
EM 000478698-0006 2/2006

(\*\*) Term: **14 Years**

\* cited by examiner

(21) Appl. No.: **29/396,822**

*Primary Examiner* — Marianne Pandozzi

(22) Filed: **Jul. 7, 2011**

(74) *Attorney, Agent, or Firm* — Faegre Baker Daniels LLP

(30) **Foreign Application Priority Data**

(57) **CLAIM**

I claim the ornamental design for the teapot, as shown and described.

Jan. 7, 2011 (CH) ..... 580957001

**DESCRIPTION**

(51) **LOC (9) Cl.** ..... **07-01**

FIG. 1 shows a perspective view of the teapot of the present design application;

(52) **U.S. Cl.** ..... **D7/314; D7/312; D7/316**

FIG. 2 shows a front view of the teapot shown in FIG. 1;

(58) **Field of Classification Search** ..... D7/301,  
D7/302, 313, 312, 316, 314; 99/323; 222/129,  
222/465.1

FIG. 3 shows a rear view of the teapot shown in FIG. 1;

See application file for complete search history.

FIG. 4 shows a view of the right side of the teapot shown in FIG. 1;

(56) **References Cited**

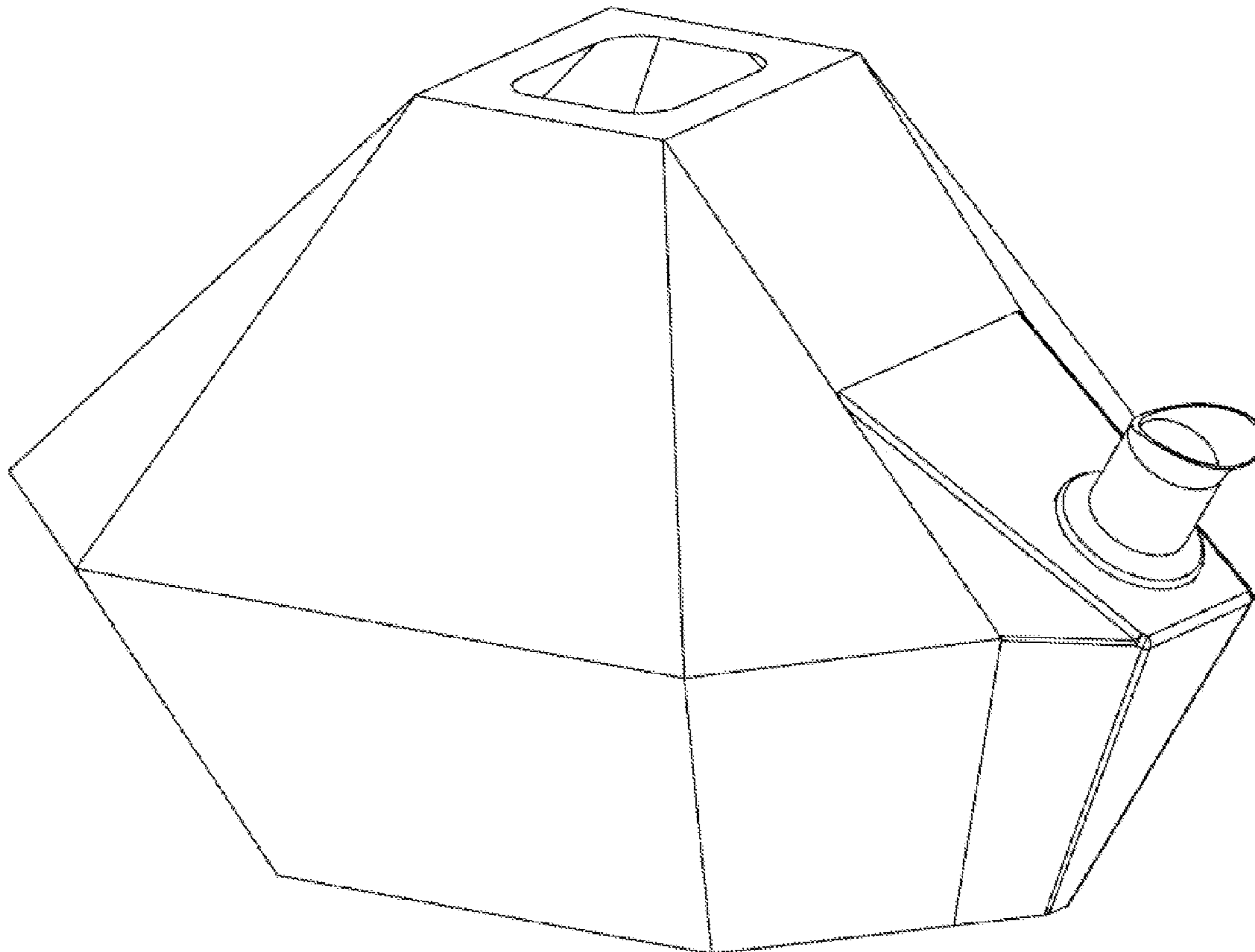
FIG. 5 shows a view of the left side of the teapot shown in FIG. 1;

**U.S. PATENT DOCUMENTS**

1,489,872 A \* 4/1924 Webster ..... 220/318  
D214,076 S \* 5/1969 Gillespie ..... D7/317

FIG. 6 shows a top view of the teapot shown in FIG. 1; and,  
FIG. 7 shows a bottom view of the teapot shown in FIG. 1.

**1 Claim, 7 Drawing Sheets**



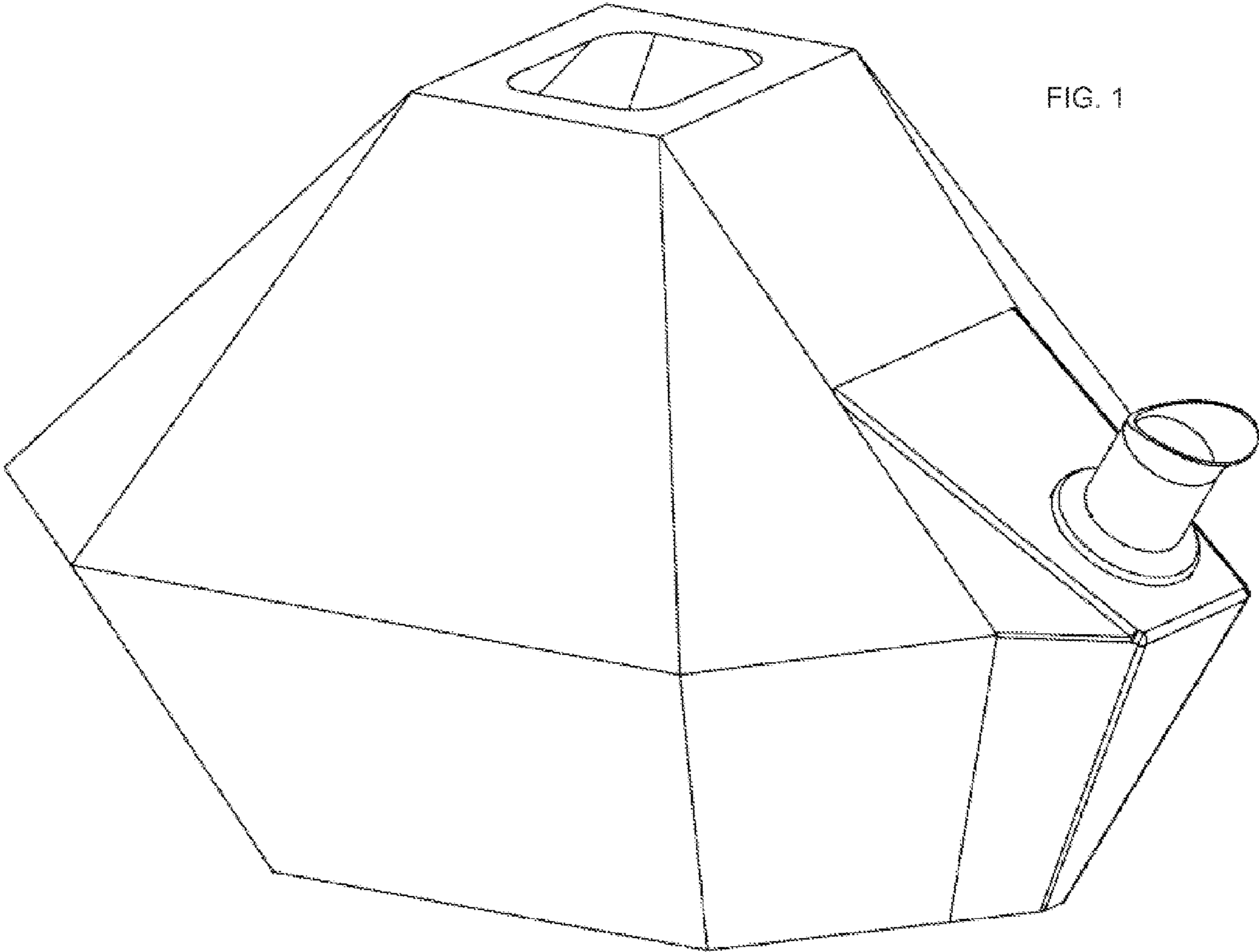
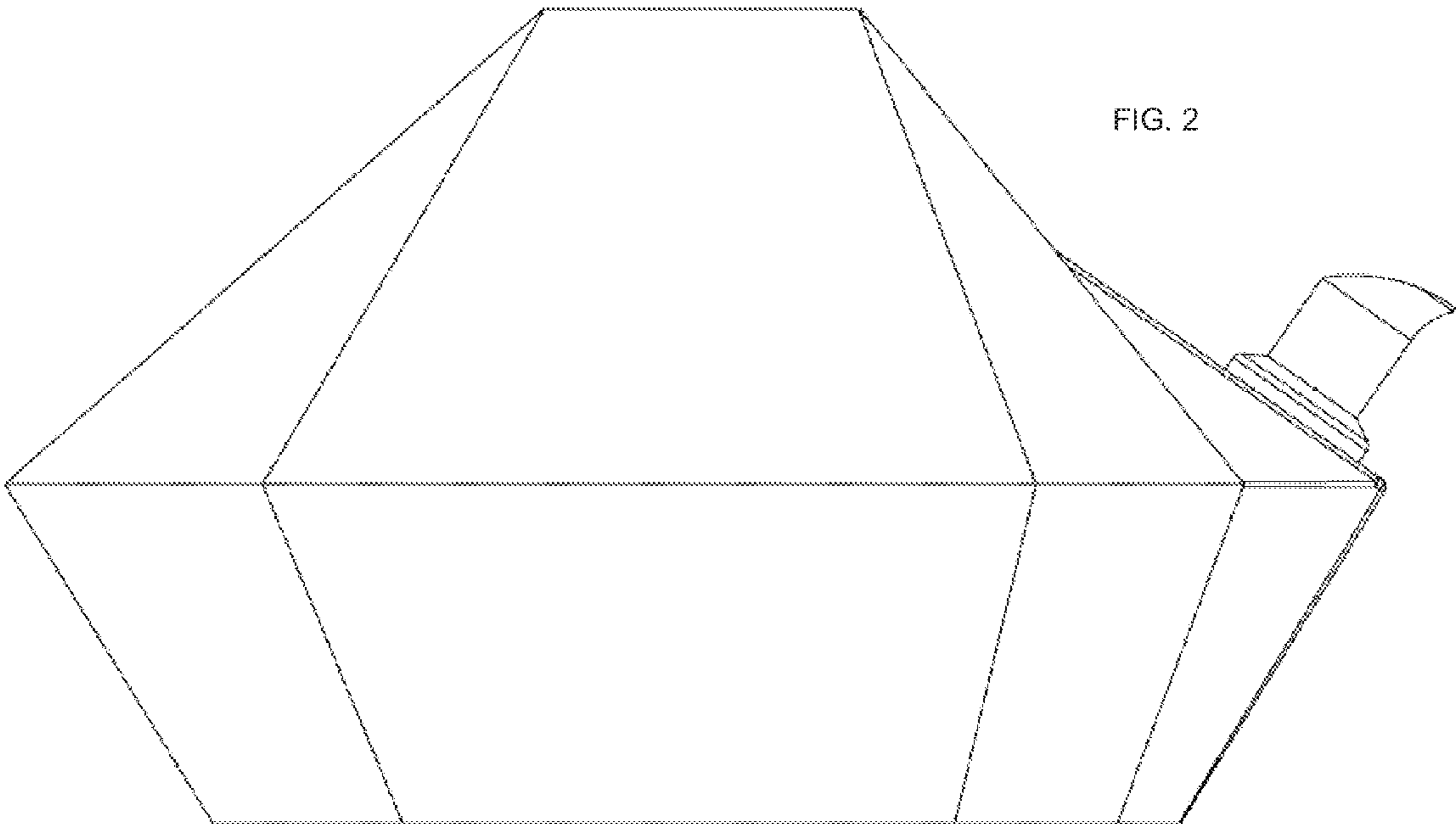


FIG. 1



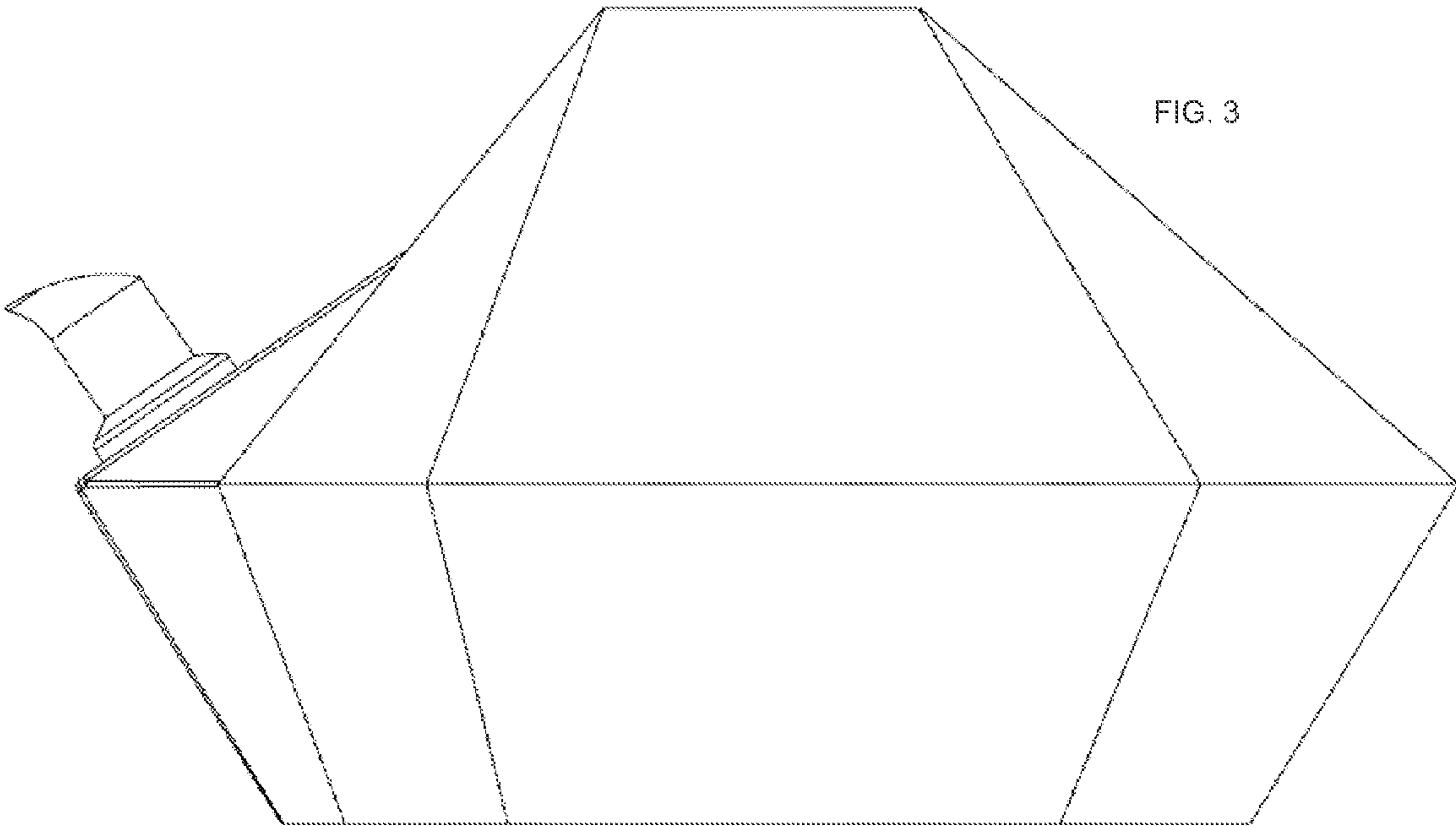
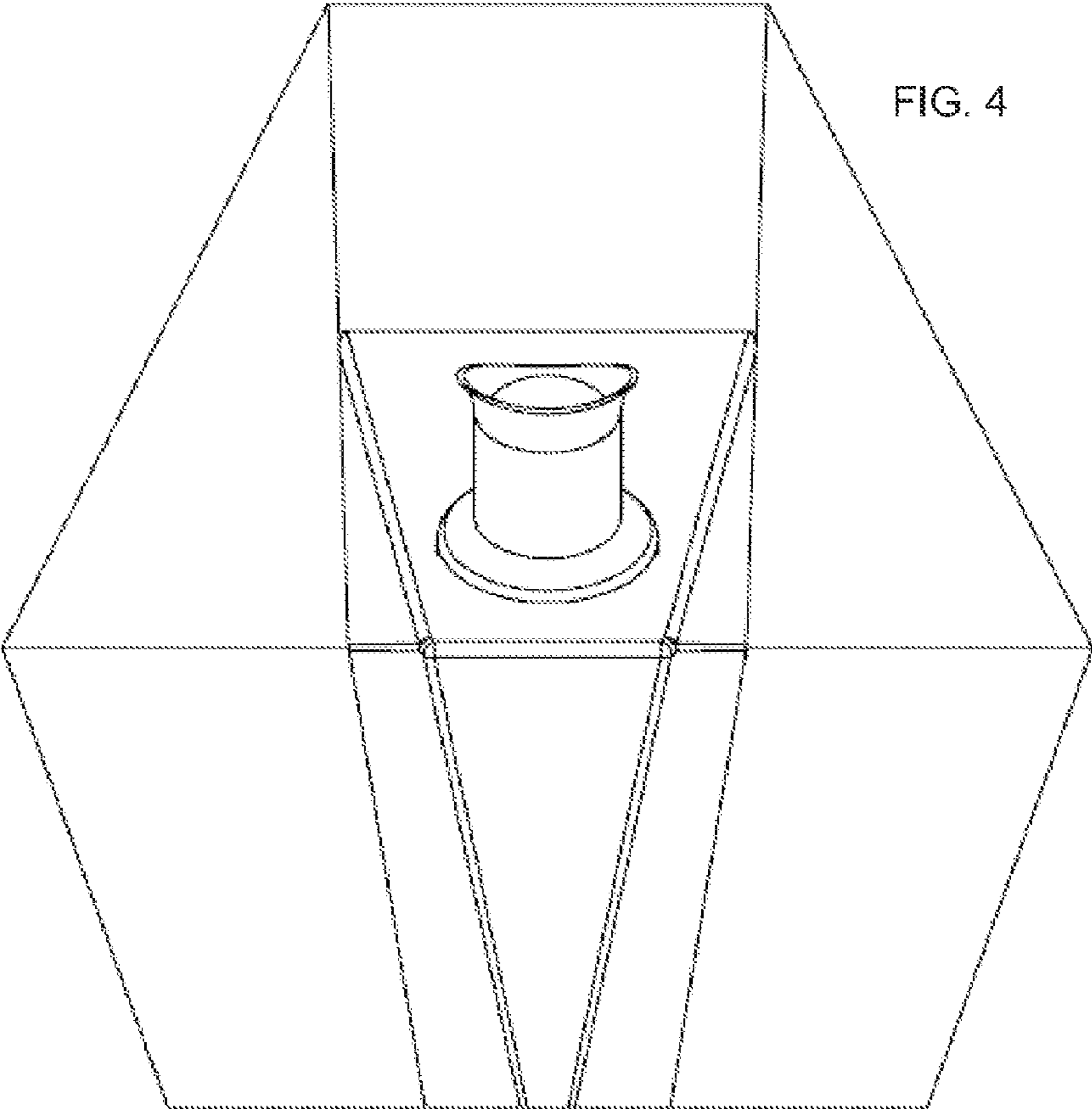


FIG. 3



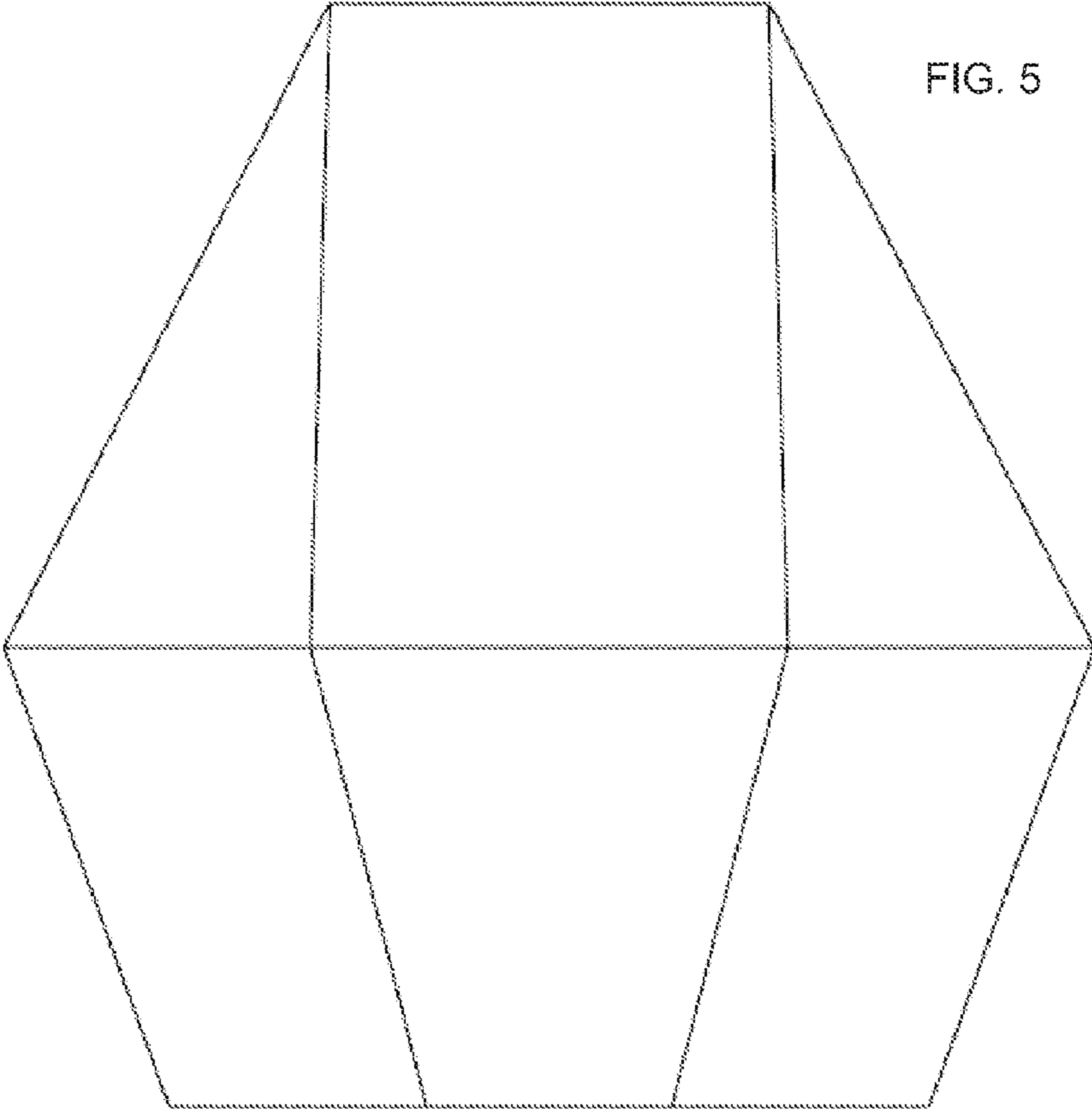


FIG. 5

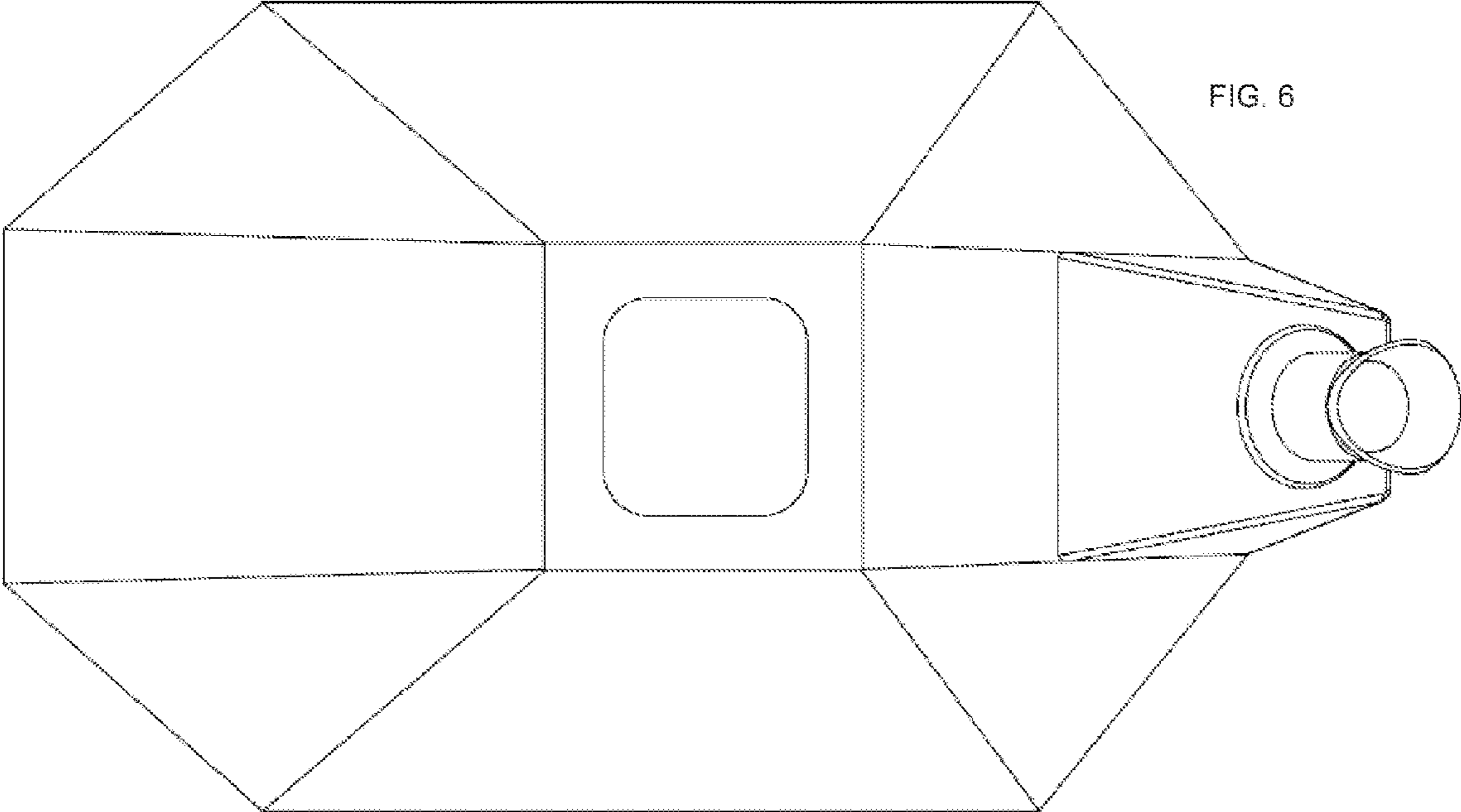


FIG. 6

