

US00D662756S

(12) **United States Design Patent**
Steiner et al.

(10) **Patent No.:** **US D662,756 S**
(45) **Date of Patent:** **** Jul. 3, 2012**

(54) **BEVERAGE MAKER**

(75) Inventors: **Mark C. Steiner**, Midlothian, VA (US);
Mark K. Romandy, Midlothian, VA
(US)

(73) Assignee: **Hamilton Beach Brands, Inc**, Glen
Allen, VA (US)

(**) Term: **14 Years**

(21) Appl. No.: **29/386,434**

(22) Filed: **Mar. 1, 2011**

(51) **LOC (9) Cl.** **07-01**

(52) **U.S. Cl.** **D7/309; D7/311**

(58) **Field of Classification Search** D7/309-311,
D7/306-308; 99/304, 300, 295
See application file for complete search history.

(56) **References Cited**

U.S. PATENT DOCUMENTS

D358,290 S	*	5/1995	Schroeder	D7/311
D497,278 S		10/2004	Picozza et al.		
D498,110 S		11/2004	Picozza et al.		
D550,499 S	*	9/2007	Argabrite et al.	D7/309
D575,571 S		8/2008	Hammad et al.		

D582,714 S	*	12/2008	Hensel	D7/309
D626,368 S	*	11/2010	De Pra'	D7/309
D630,039 S		1/2011	Lin		
D637,859 S	*	5/2011	Orkney et al.	D7/306
D656,771 S	*	4/2012	Bronwasser	D7/306

* cited by examiner

Primary Examiner — Marianne Pandozzi

(74) *Attorney, Agent, or Firm* — Alexander D. Raring

(57) **CLAIM**

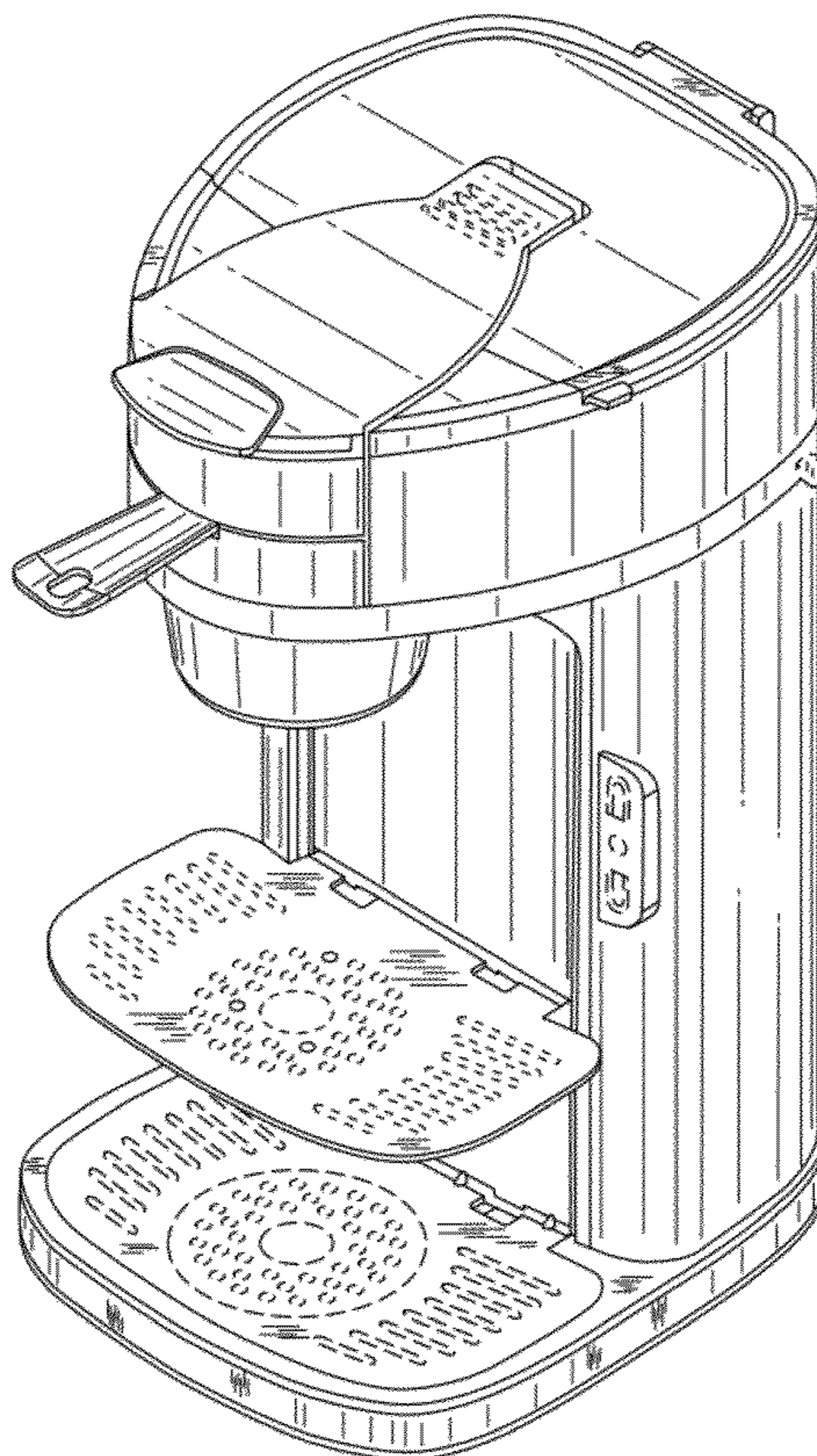
The ornamental design for a beverage maker, as shown and described.

DESCRIPTION

FIG. 1 is a perspective view as seen from the top, front and right side of a beverage maker showing the new design; FIG. 2 is a front view thereof; FIG. 3 is a right side view thereof; FIG. 4 is a rear view thereof; FIG. 5 is a left side view thereof; FIG. 6 is a top view thereof; and, FIG. 7 is a bottom view thereof.

The broken lines in the drawings are included for illustrative purposes only and form no part of the claimed design.

1 Claim, 7 Drawing Sheets



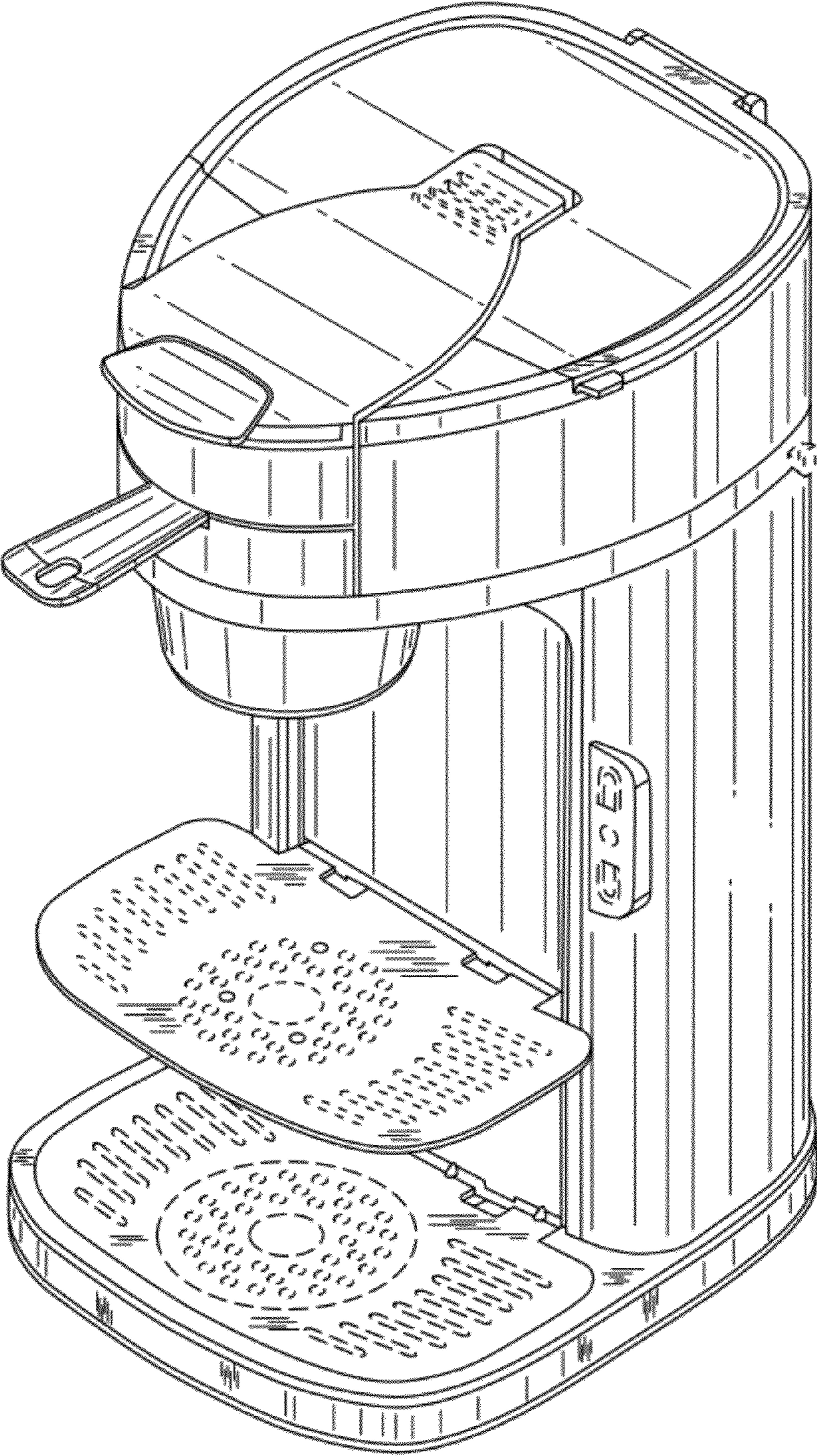


FIG. 1

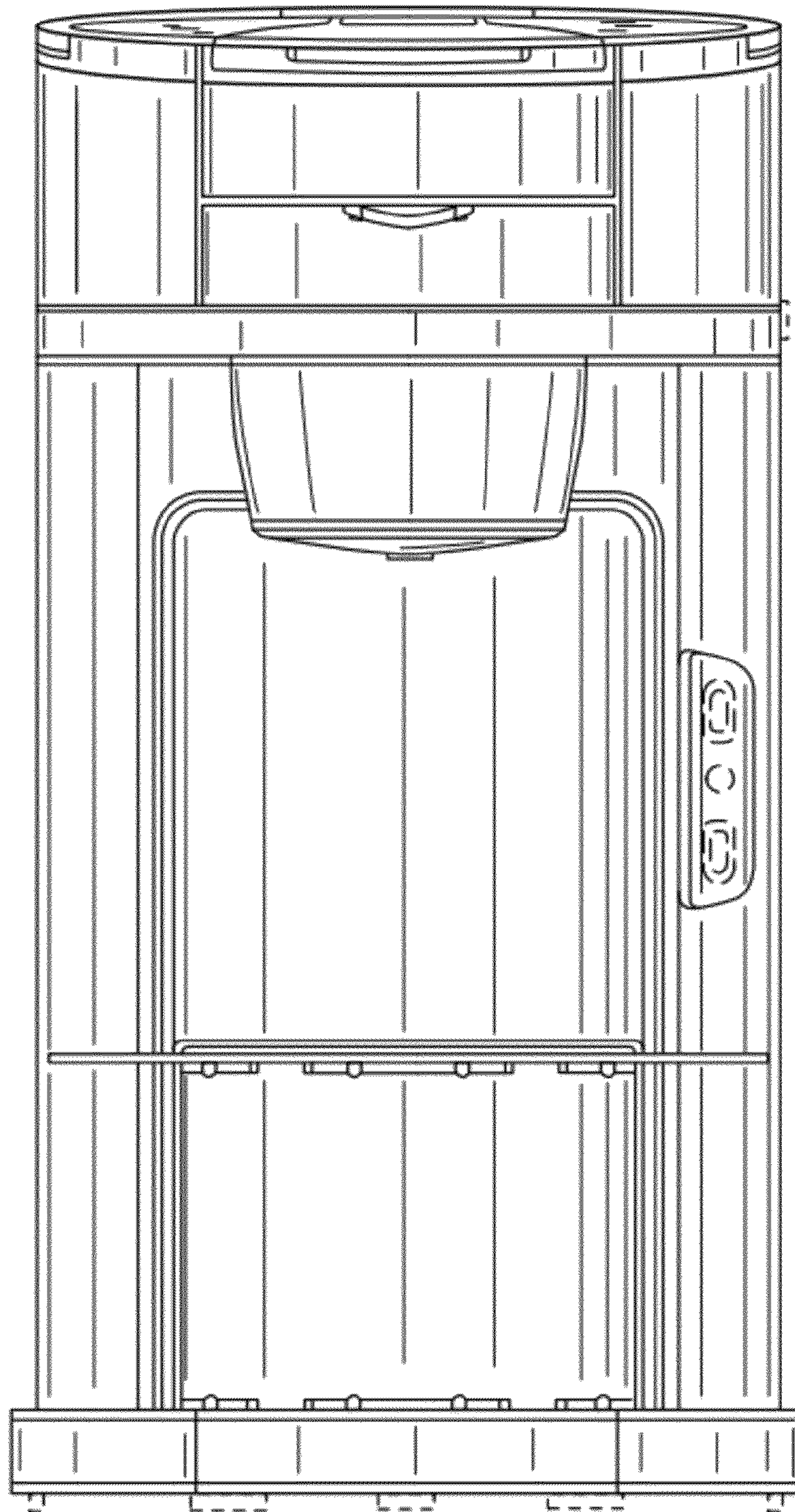


FIG. 2

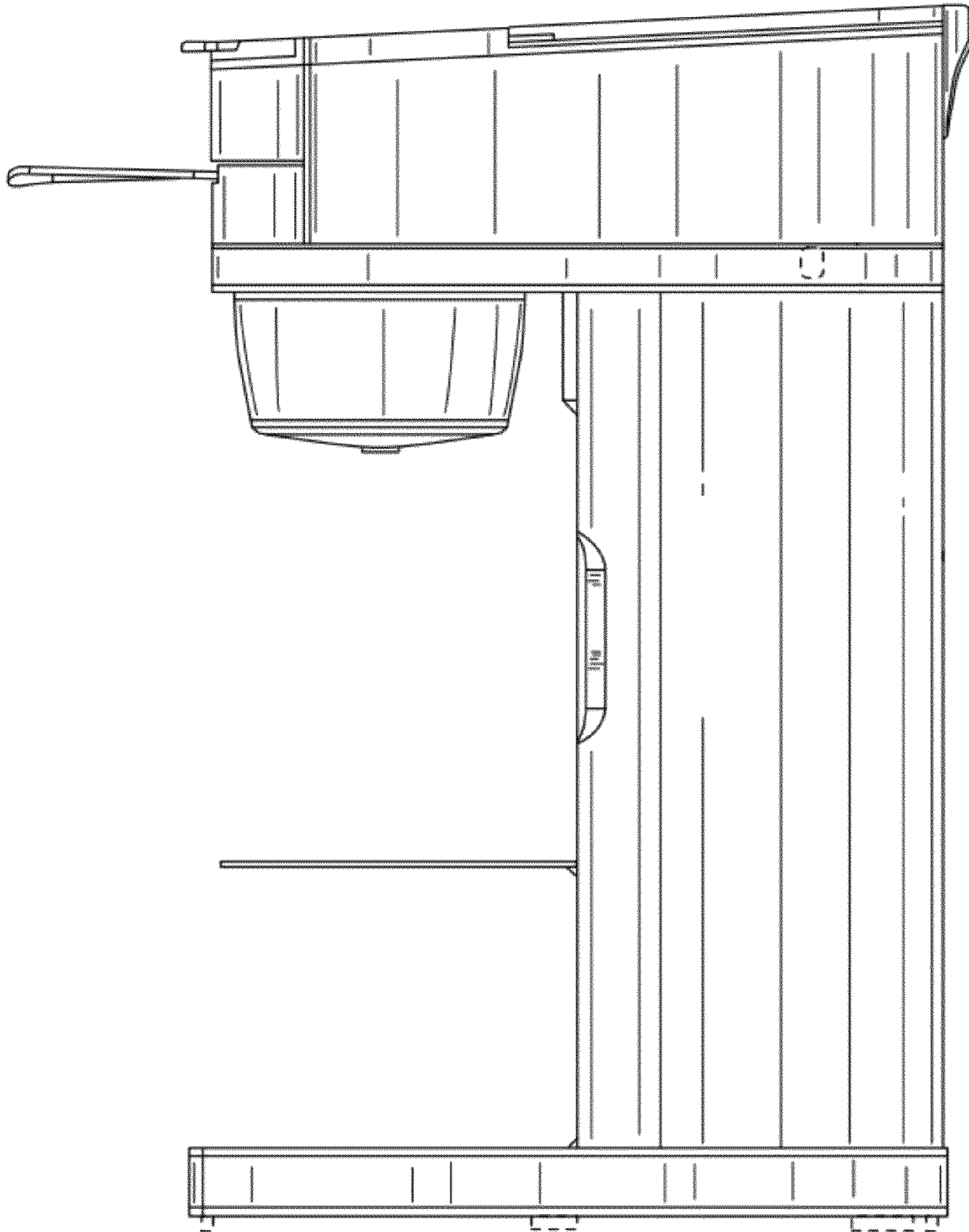


FIG. 3

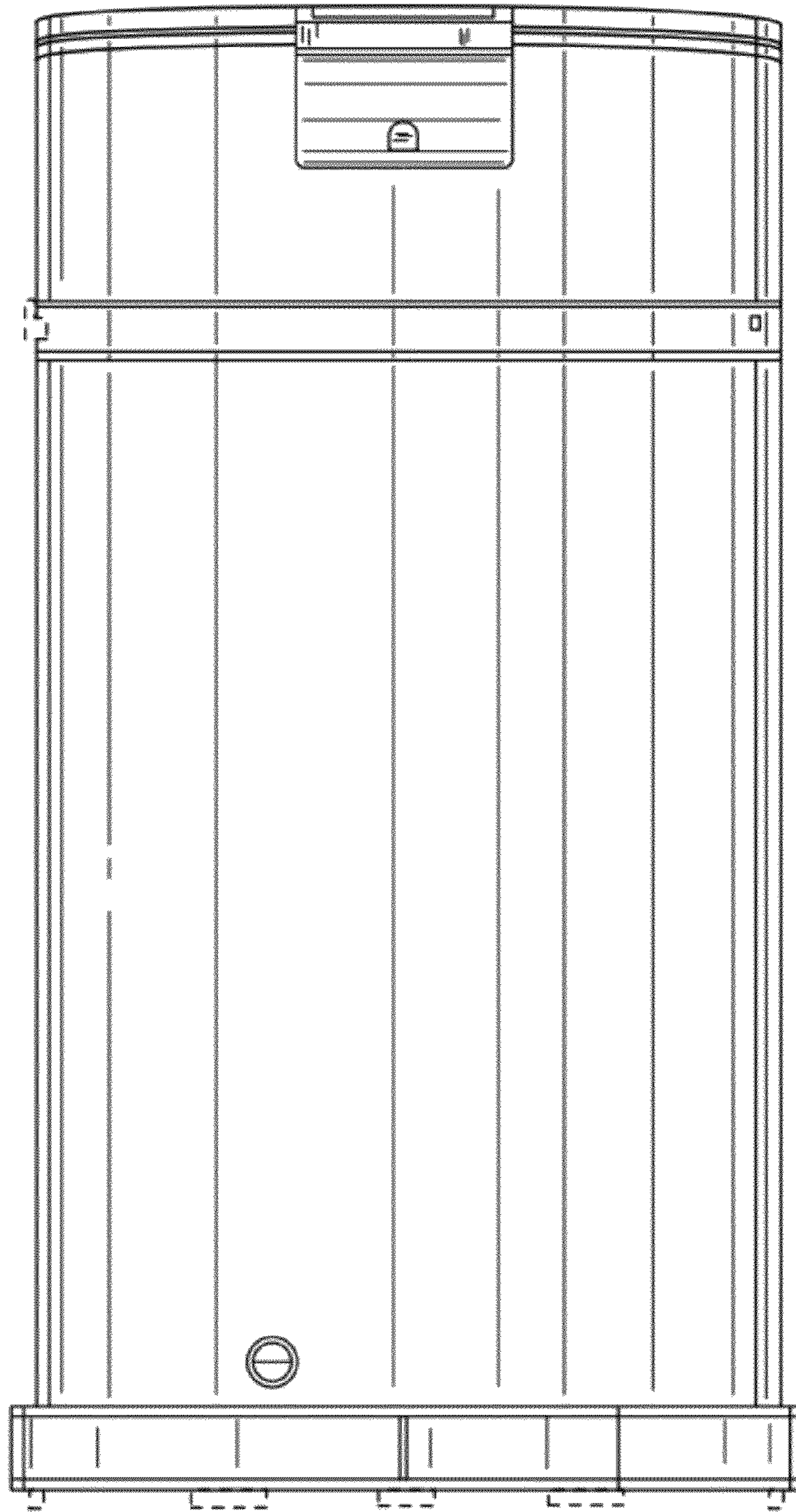


FIG. 4

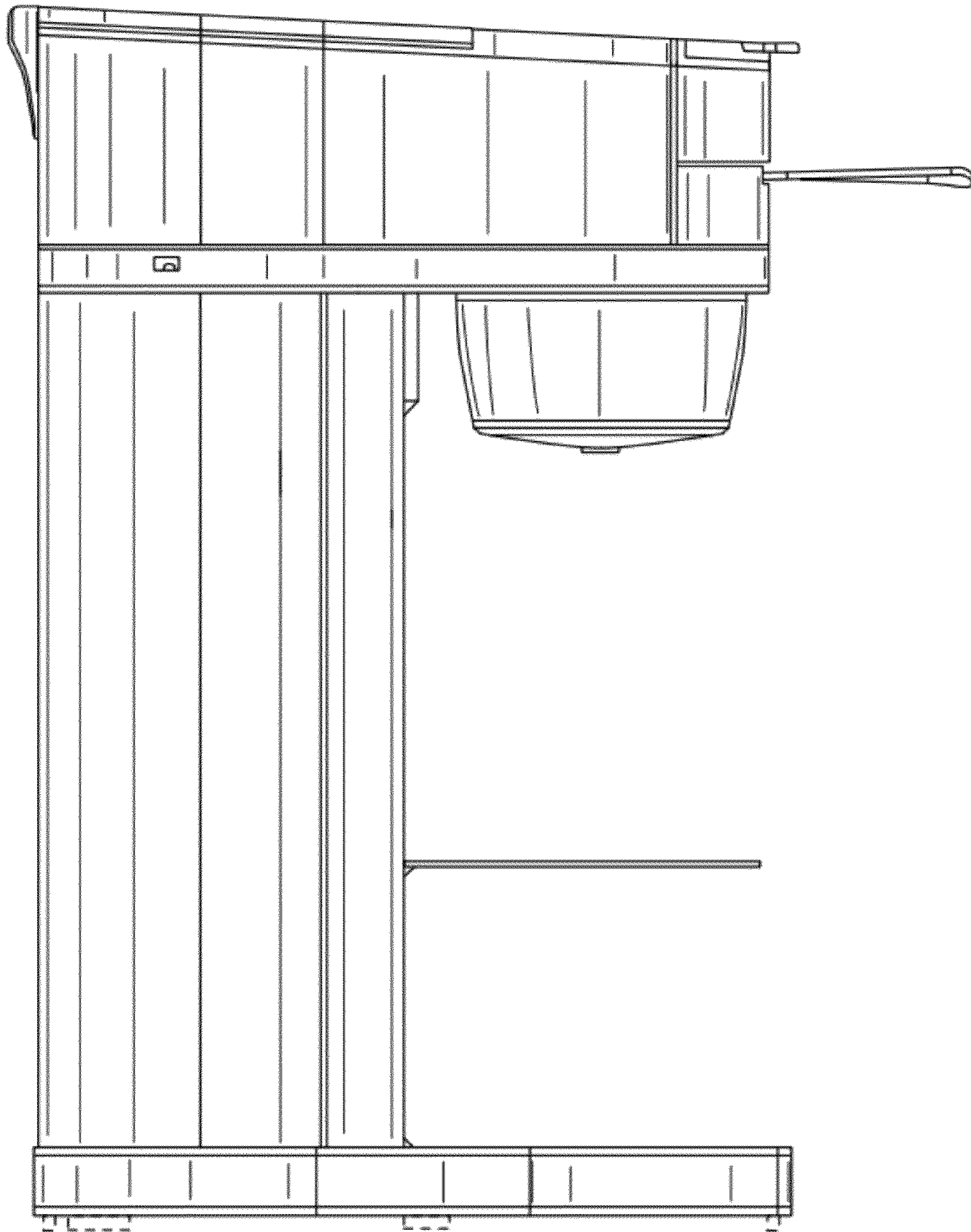


FIG. 5

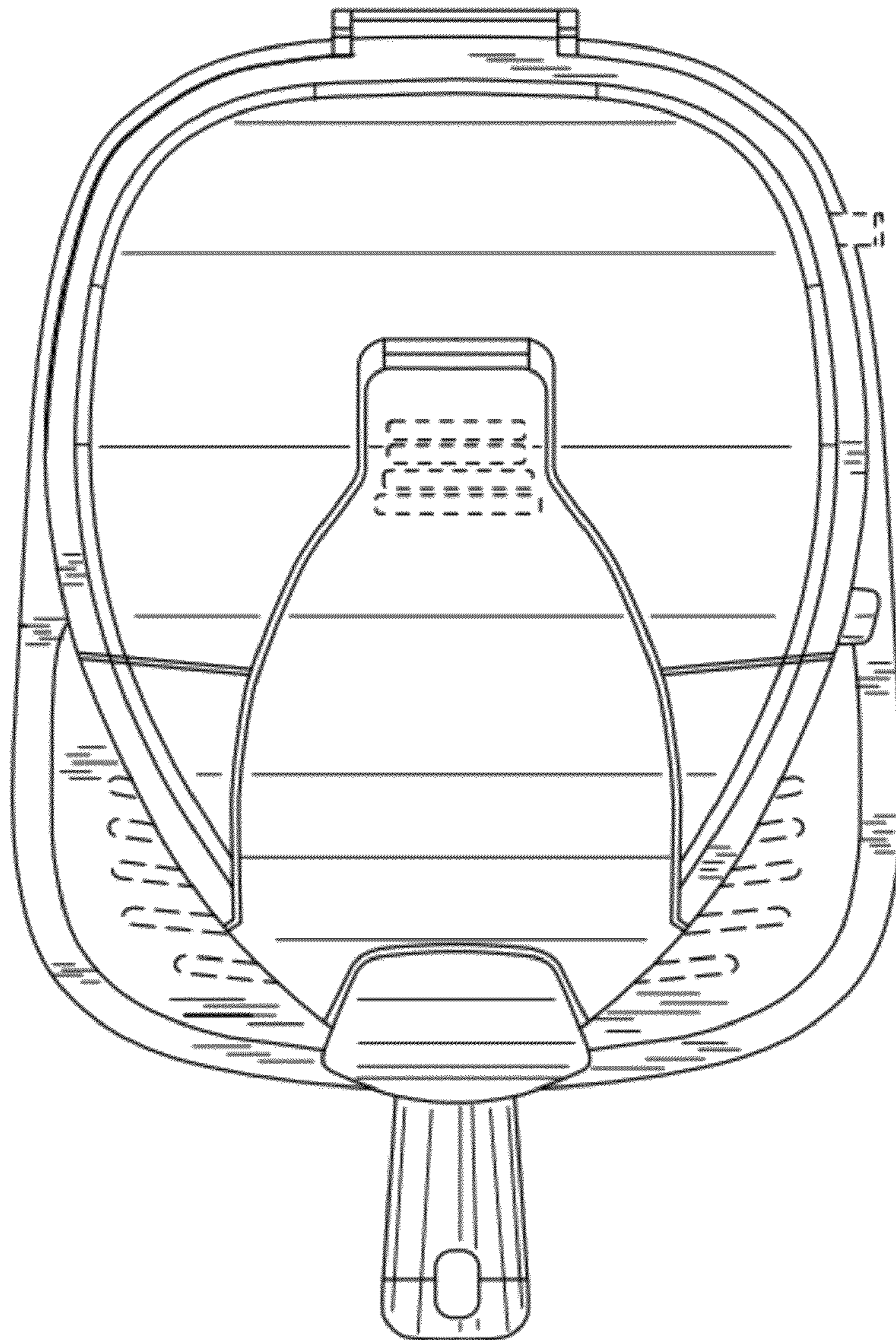


FIG. 6

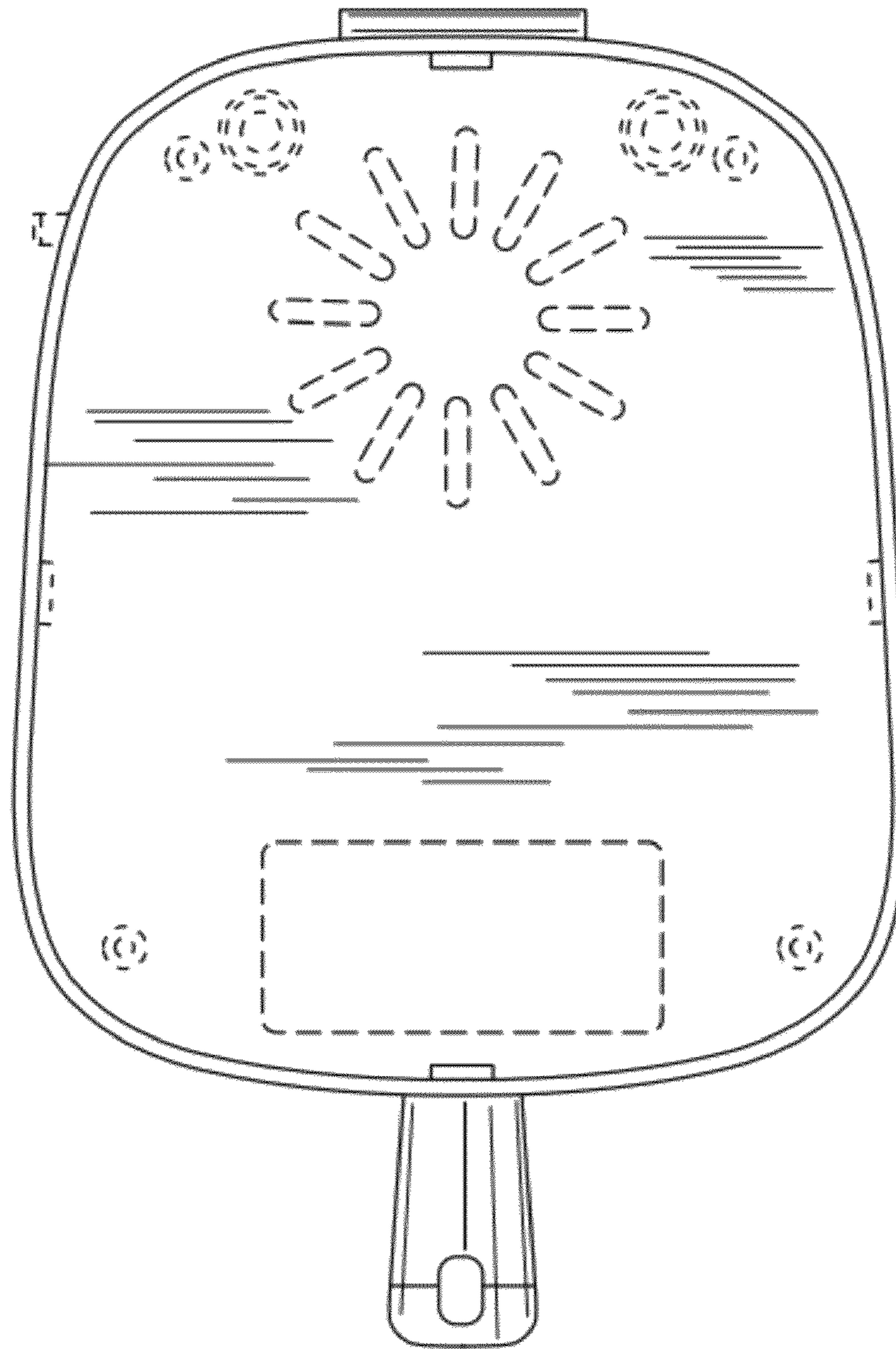


FIG. 7