



US00D662755S

(12) **United States Design Patent**
Salvaneschi

(10) **Patent No.:** **US D662,755 S**
(45) **Date of Patent:** **** Jul. 3, 2012**

- (54) **SEAT COVER WITH SHROUD**
- (76) Inventor: **Douglas R. Salvaneschi**, Fountain Hills, AZ (US)
- (**) Term: **14 Years**
- (21) Appl. No.: **29/405,317**
- (22) Filed: **Nov. 1, 2011**
- (51) **LOC (9) Cl.** **06-13**
- (52) **U.S. Cl.** **D6/611**
- (58) **Field of Classification Search** D6/610, D6/611, 445, 490, 596, 601, 602, 603, 615, D6/617, 621; D12/401-405; 135/87, 88.01, 135/95; 150/165-167, 158, 154; 280/770; 296/136.1, 136.01, 136.11; D7/306, 307; 297/218.1-218.5, 219.1-229; D23/354
See application file for complete search history.

4,912,784 A	4/1990	Jacobson et al.	
4,935,969 A	6/1990	Farnsworth	
4,975,990 A	12/1990	Chan	
5,005,223 A *	4/1991	Greenwood	4/235
5,067,185 A	11/1991	Kohler	
5,216,760 A	6/1993	Brown et al.	
5,323,495 A *	6/1994	Han	4/245.1
5,337,426 A *	8/1994	Matuszewicz et al.	4/661
5,412,819 A *	5/1995	Matuszewicz et al.	4/661
6,212,698 B1 *	4/2001	Stingley et al.	4/315
6,473,911 B2 *	11/2002	Weiss	4/239
D559,368 S *	1/2008	Grant	D23/311
D571,901 S *	6/2008	Stewart	D23/309
D649,626 S *	11/2011	Kim et al.	D23/311

* cited by examiner

Primary Examiner — Caron D Veynar
Assistant Examiner — Katrina A Betton
(74) *Attorney, Agent, or Firm* — The von Hellens Law Firm, Ltd.

(57) **CLAIM**
The ornamental design for a seat cover with shroud, as shown and described.

(56) **References Cited**

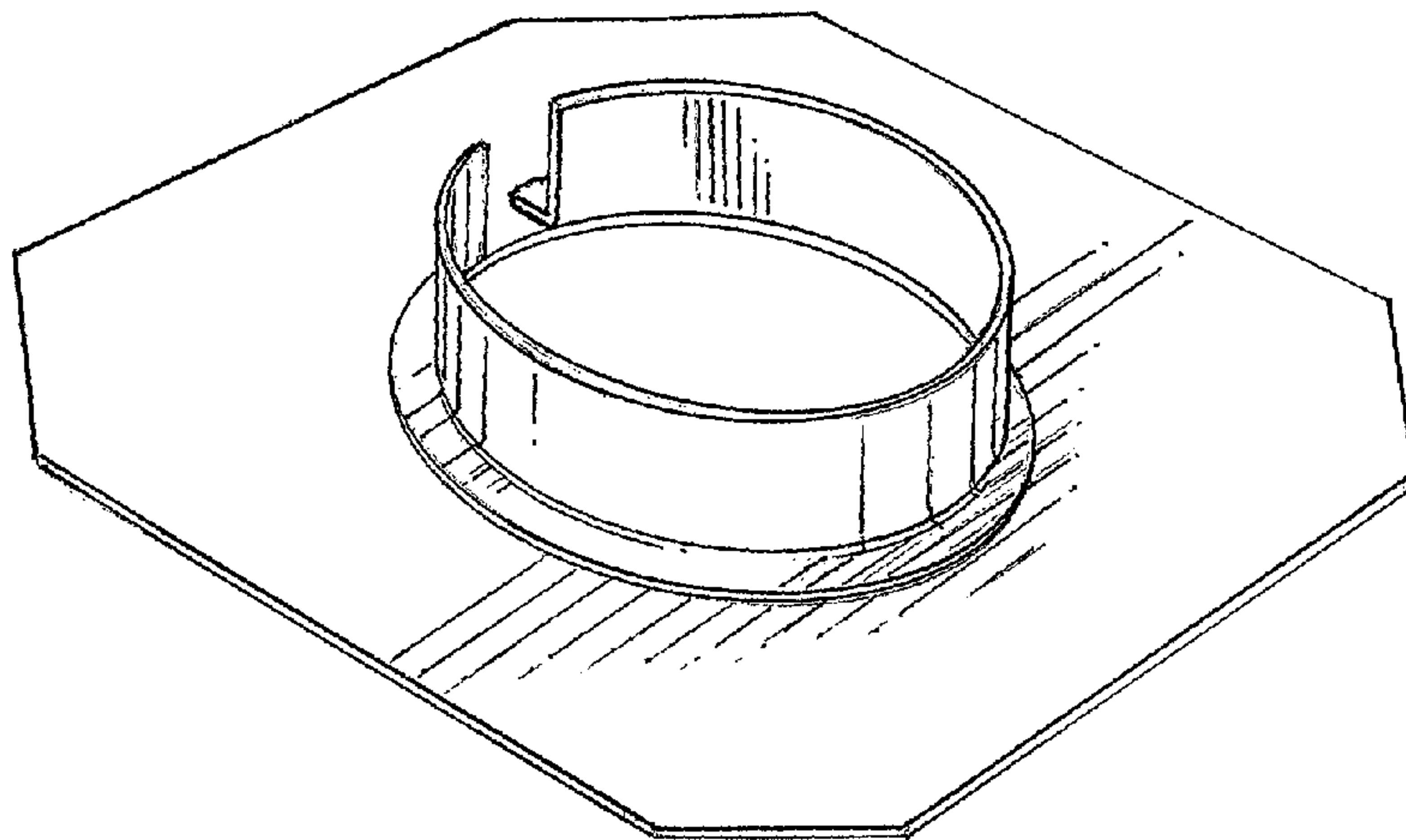
U.S. PATENT DOCUMENTS

597,264 A	1/1898	Conradi, Jr.	
1,158,142 A	10/1915	Muller	
1,236,798 A	8/1917	White	
1,673,622 A	6/1928	Engalitcheff	
2,742,650 A *	4/1956	Mohun et al.	4/245.7
2,817,851 A	12/1957	Barnwell	
2,980,919 A	4/1961	Otto et al.	
3,071,778 A	1/1963	Renshaw	
3,316,560 A *	5/1967	Montaldo	4/245.3
3,914,803 A	10/1975	Gregovski	
3,931,649 A	1/1976	Jankowski	
4,010,497 A	3/1977	Menter et al.	
4,060,859 A	12/1977	Anderson	
4,348,776 A	9/1982	Sarjeant	
4,722,103 A	2/1988	Kliebert	

DESCRIPTION

FIG. 1 is an isometric view of the top, left and front sides of a seat cover with shroud showing my new design;
FIG. 2 is an isometric view of the bottom, right and front thereof;
FIG. 3 is a front elevational view thereof, based upon FIG. 2;
FIG. 4 is a top view thereof;
FIG. 5 is a left side elevational view thereof, the right side elevational view being a mirror image;
FIG. 6 is a bottom view thereof; and,
FIG. 7 is a rear elevational view thereof.

1 Claim, 2 Drawing Sheets



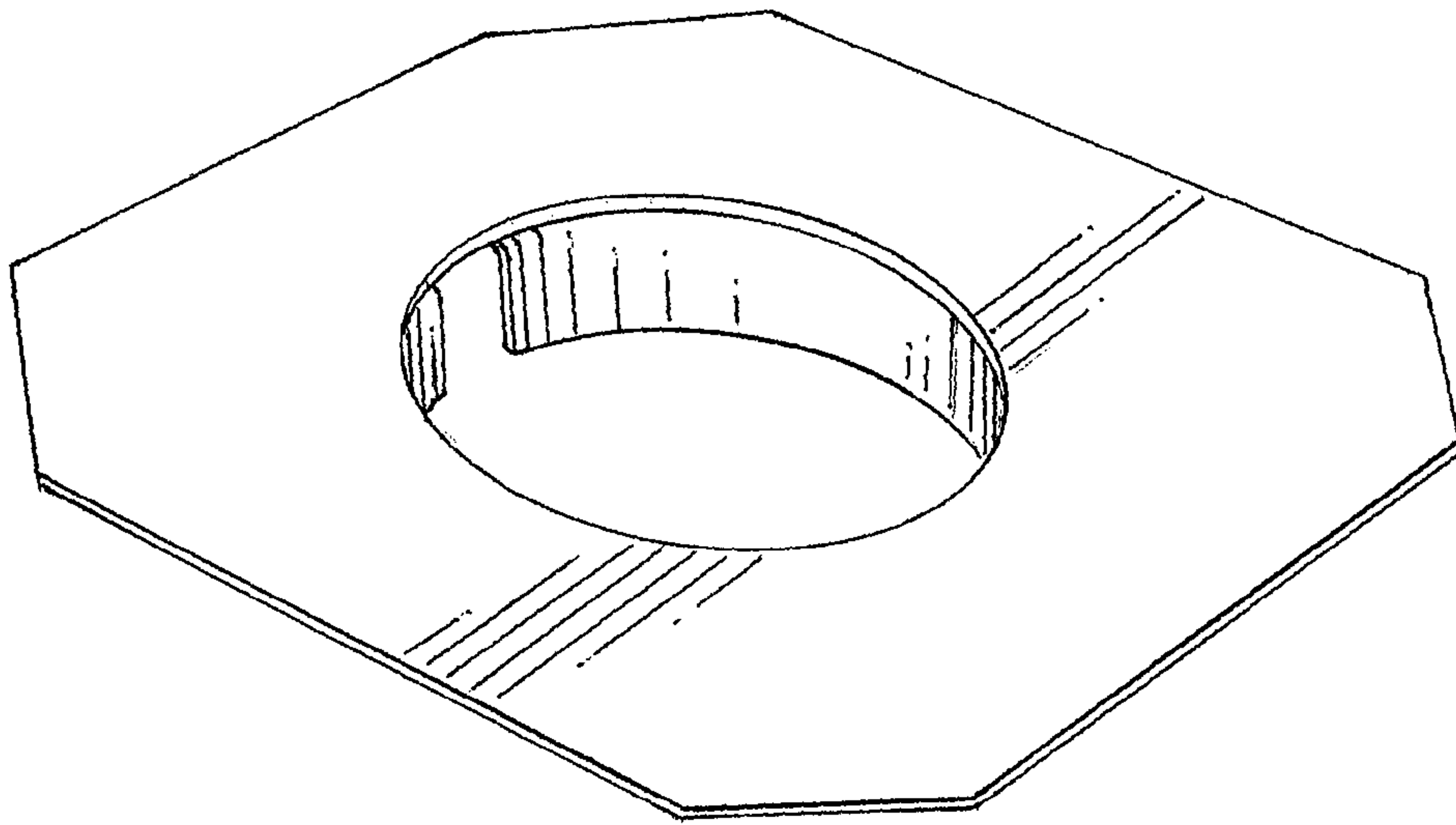


Fig. 1

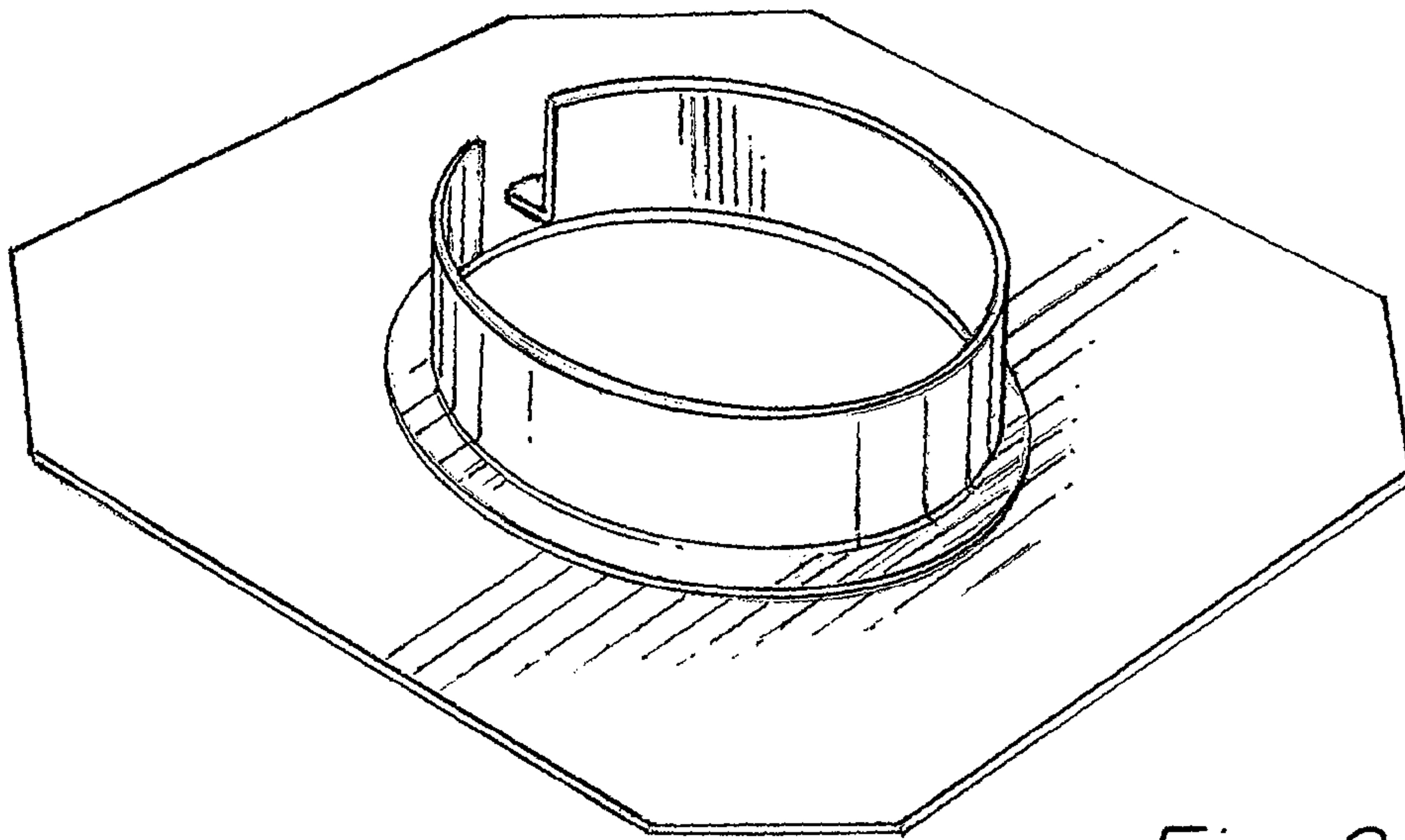


Fig. 2

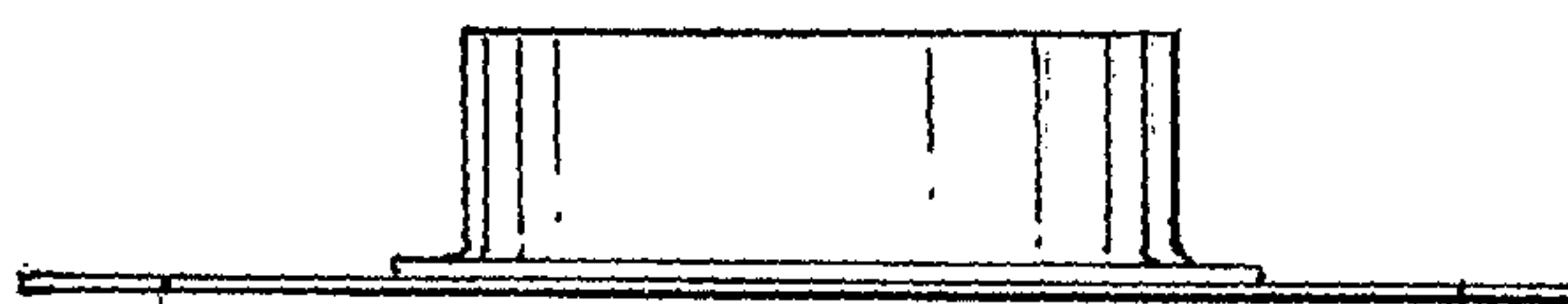


Fig. 3

Fig. 4

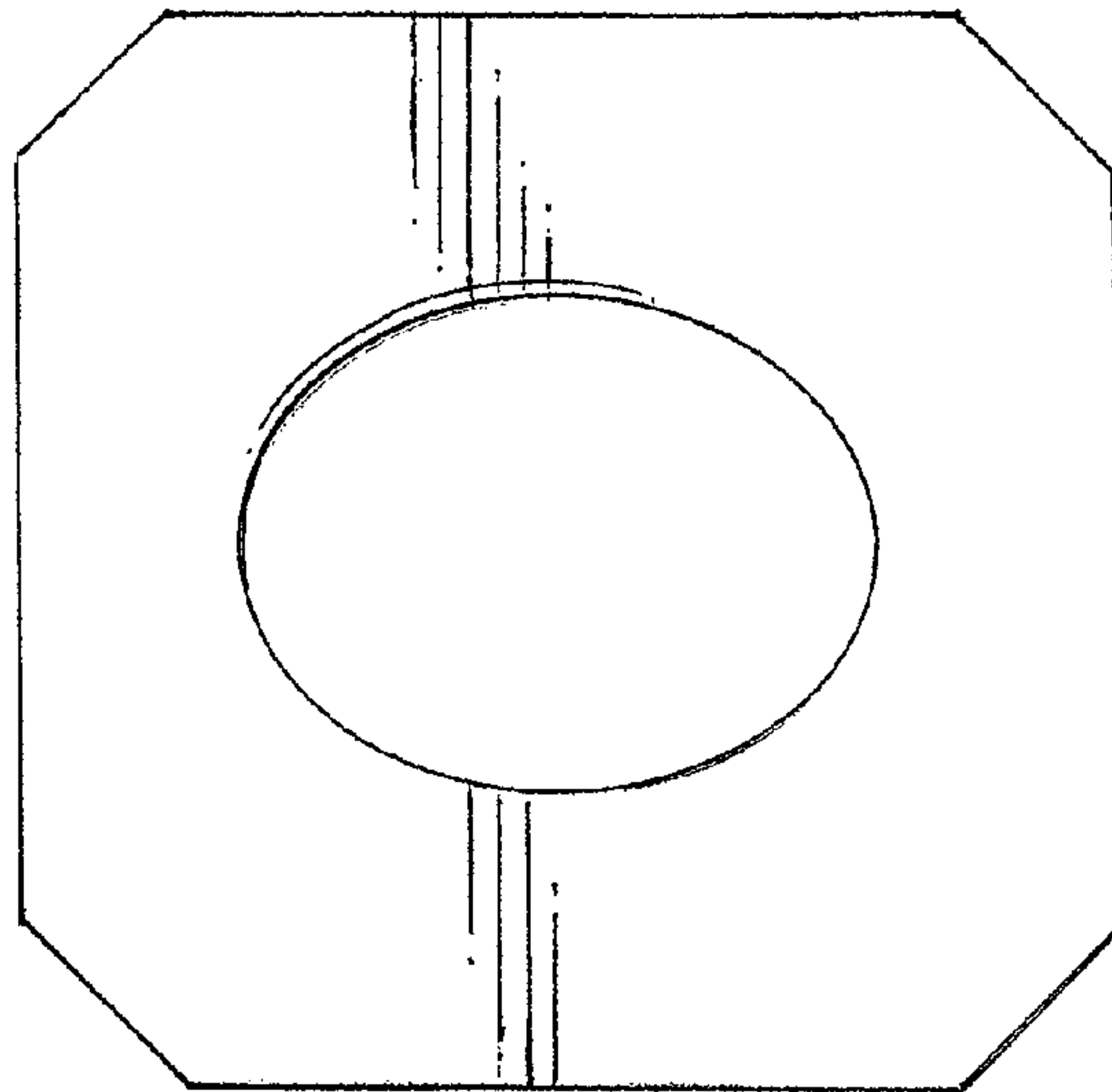


Fig. 5

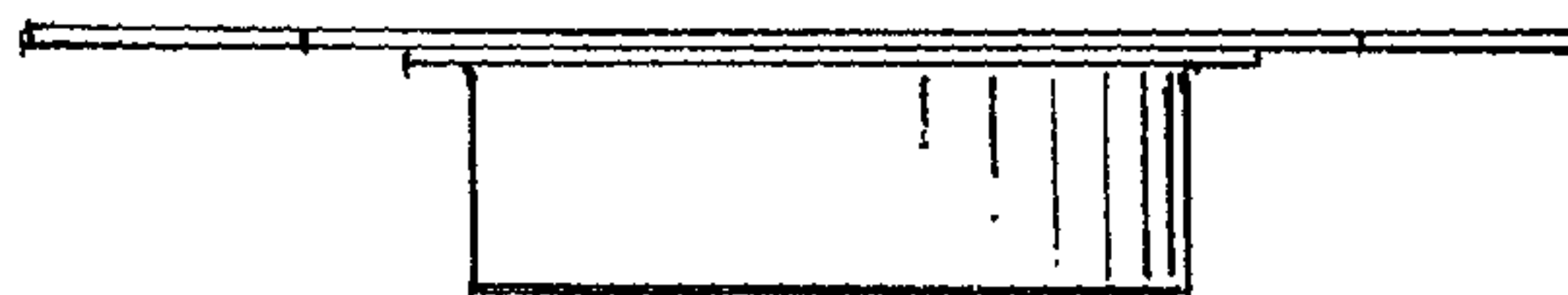


Fig. 7

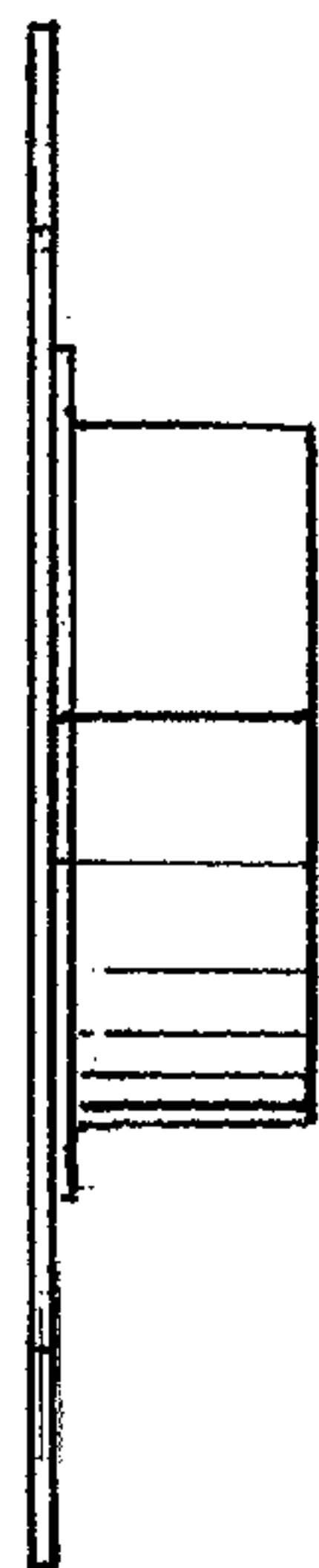


Fig. 6

