



US00D662750S

(12) **United States Design Patent**
Leask

(10) **Patent No.:** **US D662,750 S**
(45) **Date of Patent:** **** Jul. 3, 2012**

- (54) **BLANKET WITH A PICTURE FRAME**
- (76) Inventor: **Judith L. Leask**, San Carlos, CA (US)
- (**) Term: **14 Years**
- (21) Appl. No.: **29/392,761**
- (22) Filed: **May 26, 2011**
- (51) **LOC (9) Cl.** **06-13**
- (52) **U.S. Cl.** **D6/603**
- (58) **Field of Classification Search** D6/300,
D6/595-600, 602, 603, 606-609; 5/413 AM,
5/413 R, 417-420, 482, 485, 486, 493-502,
5/691, 692; 40/725, 773; 283/61, 62
See application file for complete search history.

- D420,960 S 2/2000 Sousamian
- D425,010 S 5/2000 Lowe
- D430,092 S 8/2000 Burgio, Jr.
- D433,364 S 11/2000 Hayashi
- D439,560 S 3/2001 Atwell et al.
- D455,988 S 4/2002 McGuinness
- D456,753 S 5/2002 Fife
- D470,804 S 2/2003 Chan
- D471,494 S 3/2003 Chan
- D473,167 S 4/2003 Shiono
- D478,856 S 8/2003 Cicansky
- 6,652,011 B1 11/2003 Khan
- D485,528 S 1/2004 Gray
- 6,688,649 B2 * 2/2004 Casagrande 283/61
- D491,507 S 6/2004 Zyskowski
- D491,851 S 6/2004 Perfetti et al.
- D495,980 S 9/2004 Marchese et al.
- D496,322 S 9/2004 Farney et al.
- D497,123 S 10/2004 Marchese et al.
- D500,266 S 12/2004 Elwell et al.
- D500,267 S 12/2004 Elwell et al.

(56) **References Cited**

U.S. PATENT DOCUMENTS

- D195,196 S 5/1963 Milliken
- D251,724 S 5/1979 Karpowicz
- 4,274,667 A 6/1981 Dietmar
- D287,581 S 1/1987 Herpel
- D294,245 S 2/1988 Hayashi
- 4,953,909 A 9/1990 Crane
- 4,997,229 A 3/1991 Swanson
- 5,010,666 A * 4/1991 Robles 40/773
- D316,648 S * 5/1991 McHale et al. D6/603
- 5,039,156 A 8/1991 Messmore et al.
- 5,056,817 A 10/1991 Fuller
- D321,679 S 11/1991 Shinoda
- 5,158,324 A 10/1992 Flesher
- 5,280,989 A 1/1994 Castillo
- D352,491 S 11/1994 Galasso
- D355,399 S 2/1995 Lund
- 5,439,255 A * 8/1995 McIntire et al. 283/62
- D363,261 S 10/1995 Horwill
- D400,842 S 11/1998 Davis et al.
- D400,845 S 11/1998 Miller et al.
- D411,401 S * 6/1999 Edick et al. D6/601
- 5,944,347 A 8/1999 Pechman
- D416,222 S 11/1999 Sacco et al.
- D417,425 S 12/1999 Shimazu

(Continued)

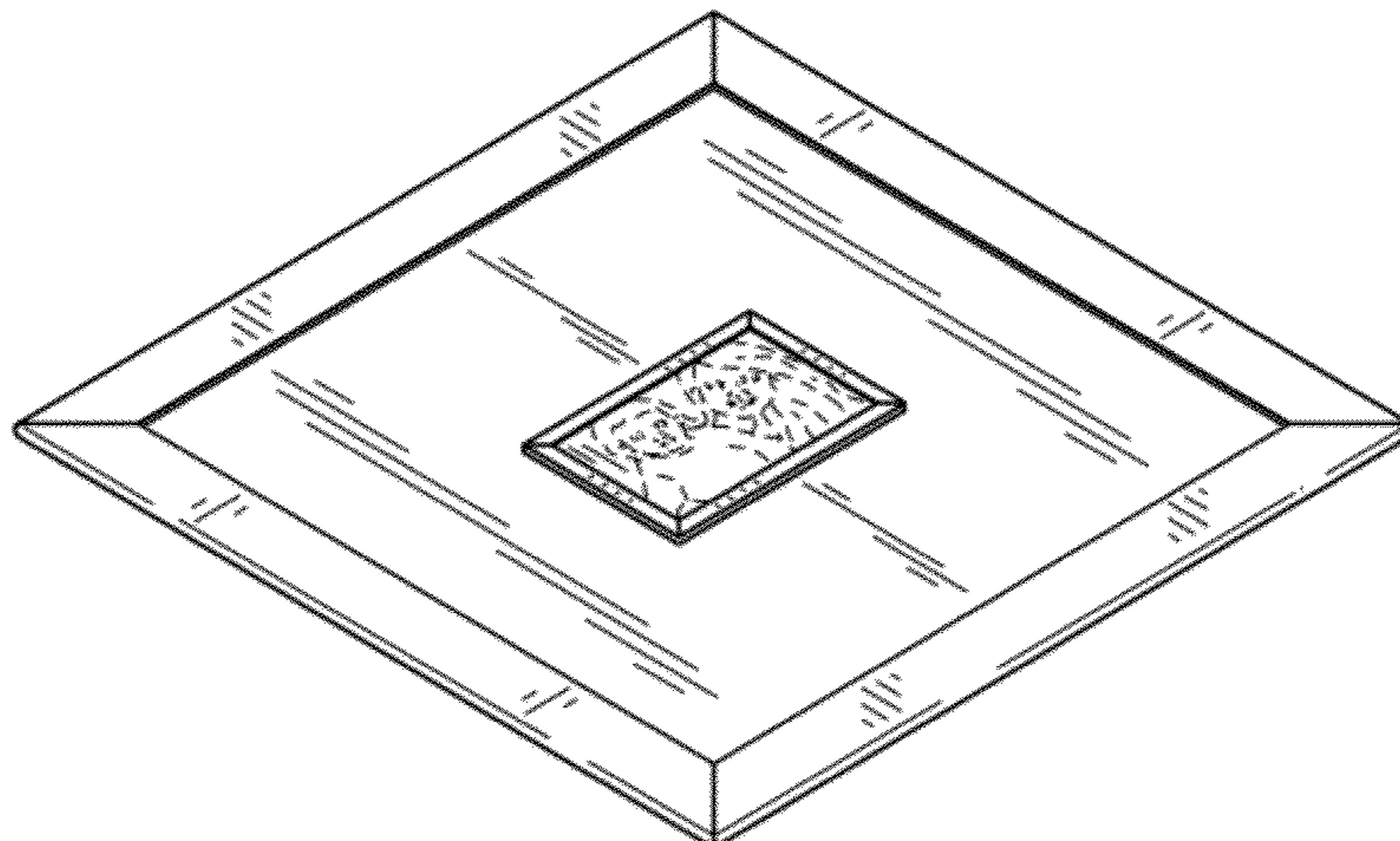
Primary Examiner — Mary Ann Calabrese
(74) *Attorney, Agent, or Firm* — QuickPatents, Inc.; Kevin Prince

(57) **CLAIM**
I claim the ornamental design for a blanket with a picture frame, as shown and described.

DESCRIPTION

FIG. 1 is a perspective view of a blanket with a picture frame, showing my new design;
FIG. 2 is a top plan view thereof;
FIG. 3 is a bottom plan view thereof; and,
FIG. 4 is a left-side elevational view thereof, the right-side, front, and rear elevational views all being mirror images thereof.
The broken lines showing a photograph in FIG. 1 depict environmental matter and form no part of the claimed design.

1 Claim, 2 Drawing Sheets



US D662,750 S

Page 2

U.S. PATENT DOCUMENTS

D500,467 S	1/2005	Schlachter		D601,063 S	9/2009	Lamm
D511,132 S	11/2005	Stover		D602,840 S	10/2009	Swanston
D514,482 S	2/2006	Chan		D614,544 S	4/2010	Ectors et al.
D518,424 S	4/2006	Clark et al.		D614,546 S	4/2010	Bennett et al.
D519,067 S	4/2006	Steere et al.		D614,547 S	4/2010	Schell et al.
D524,555 S *	7/2006	Mohundro	D6/300	D618,146 S	6/2010	Bucher et al.
D529,746 S *	10/2006	Soleymani	D6/601	D618,600 S	6/2010	Lorenzo
D539,709 S	4/2007	Woodhouse et al.		D619,060 S	7/2010	Lorenzo
D541,712 S	5/2007	Golden et al.		D619,061 S	7/2010	Lorenzo
D544,413 S	6/2007	Golden et al.		D624,471 S	9/2010	Green
D545,731 S	7/2007	Golden et al.		D626,474 S	11/2010	Lorenzo
D546,248 S	7/2007	Conkey et al.		D628,945 S	12/2010	Ino et al.
D552,018 S	10/2007	Elwell et al.		D630,981 S	1/2011	Rao
D556,655 S	12/2007	Dixon		D630,989 S	1/2011	Nowells
D559,742 S	1/2008	Thomas et al.		D631,404 S	1/2011	Hodges
D575,205 S	8/2008	Kulla		D631,407 S	1/2011	Kuze
D575,215 S	8/2008	Shelby		D633,419 S	3/2011	Peltola et al.
D576,927 S	9/2008	Hettler		D633,834 S	3/2011	Matei et al.
D576,928 S	9/2008	Miyazaki		2004/0124661 A1	7/2004	Gentile
7,488,028 B2	2/2009	Medford				

* cited by examiner

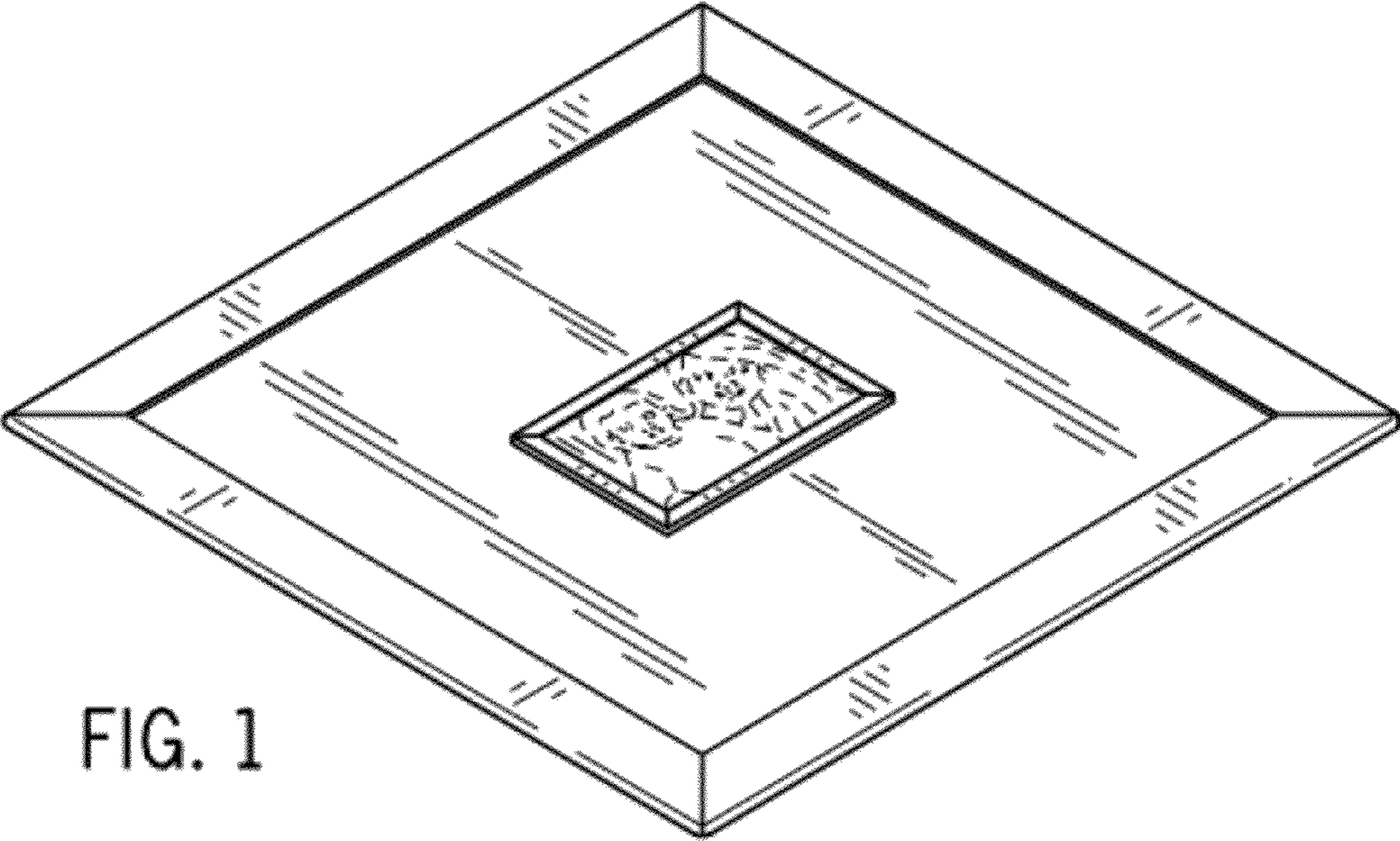


FIG. 1

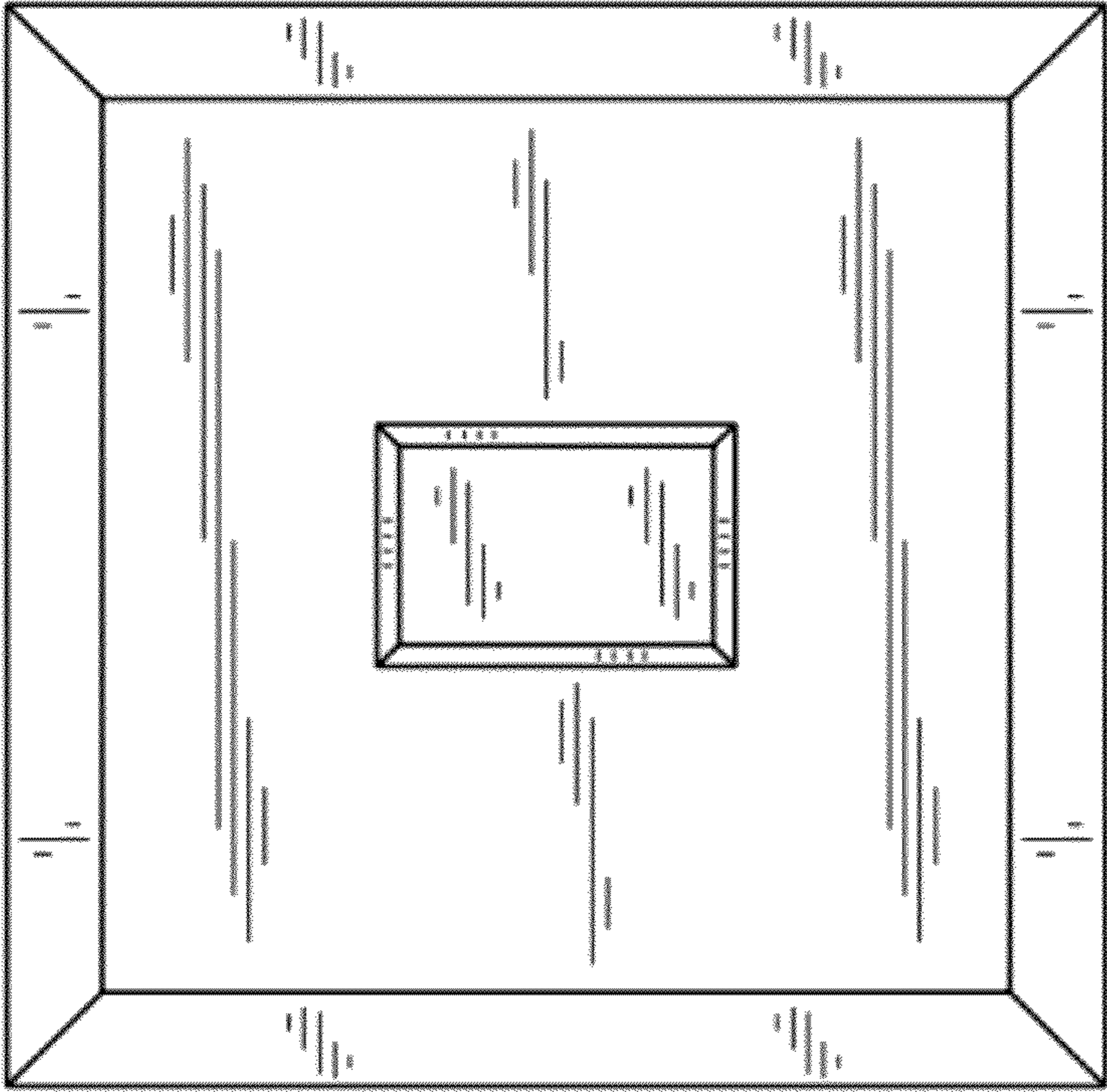


FIG. 2

FIG. 3

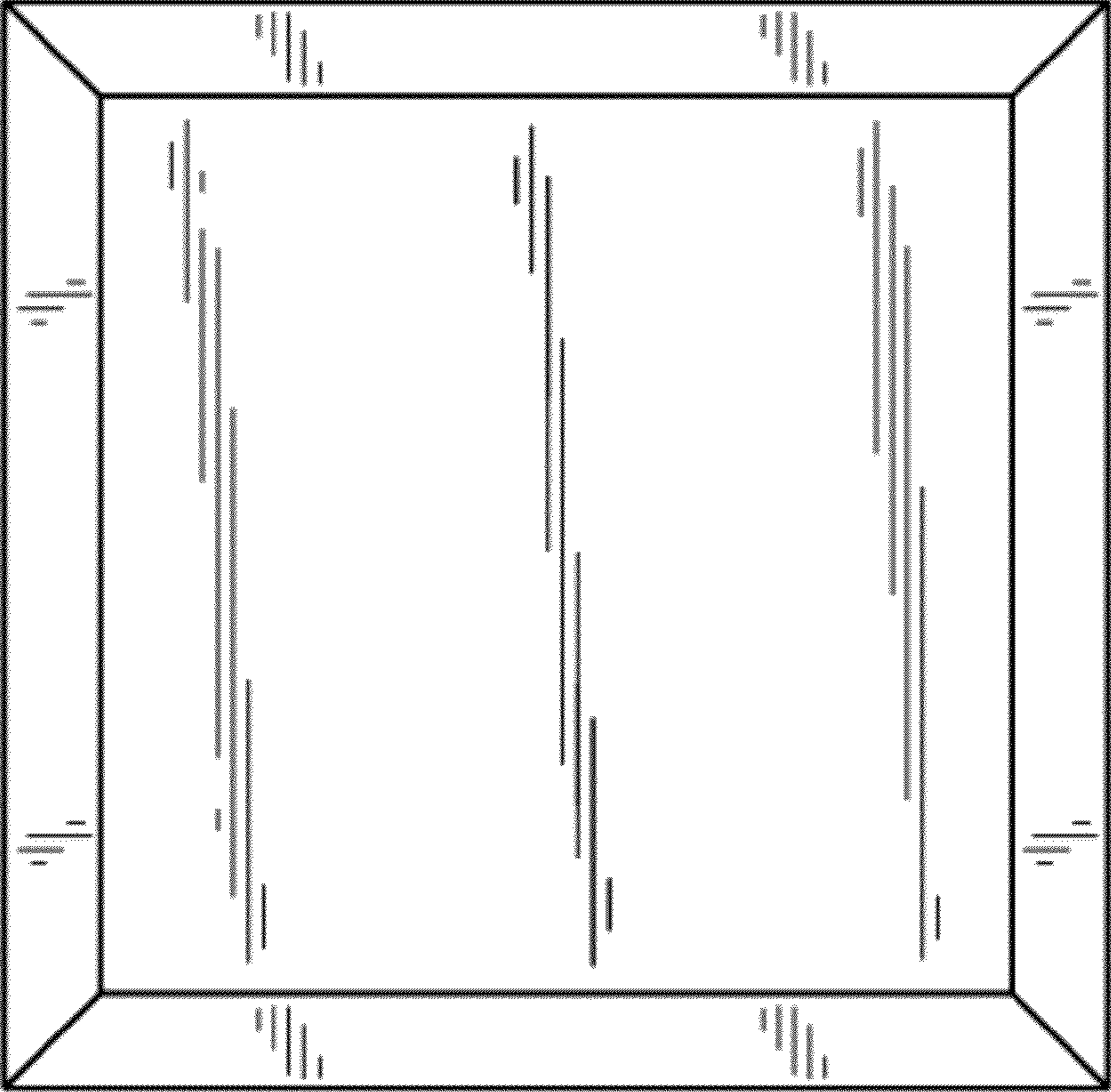


FIG. 4

