

US00D662746S

(12) **United States Design Patent**
Conville

(10) **Patent No.:** **US D662,746 S**
(45) **Date of Patent:** **** Jul. 3, 2012**

(54) **ACCESSORY STAND FOR A BAG TOSS GAME**
(75) Inventor: **Kirk A. Conville**, Hot Springs, AR (US)
(73) Assignee: **Baggo, Inc.**, Hot Springs, AR (US)
(**) Term: **14 Years**
(21) Appl. No.: **29/412,279**
(22) Filed: **Feb. 1, 2012**
(51) **LOC (9) Cl.** **08-08**
(52) **U.S. Cl.** **D6/552**
(58) **Field of Classification Search** D6/329,
D6/396, 417, 552, 553, 567; D21/385, 662,
D21/698; 211/13.1, 49.1, 60.1, 64, 70.5,
211/86.01, 87.01, 88.01, 89.01, 181.1; 248/560,
248/121, 175, 200, 302, 304, 309.1, 310,
248/312
See application file for complete search history.

4,938,485 A 7/1990 Hockridge
4,943,065 A 7/1990 DeLapa
4,961,586 A 10/1990 Conville
4,974,858 A 12/1990 Knowlton
4,986,549 A 1/1991 Kuhtic
4,989,880 A 2/1991 Gettemeier
5,050,889 A 9/1991 Walker
5,056,796 A 10/1991 Conville
5,056,797 A 10/1991 Hockert
5,110,139 A 5/1992 Baumgartner
5,165,695 A 11/1992 Yoder
5,201,527 A 4/1993 Koket
D340,082 S 10/1993 DeLapa
5,332,230 A 7/1994 Benedict
5,333,879 A 8/1994 Barnes
D363,953 S 11/1995 Buse
D369,188 S 4/1996 Briggs
5,553,862 A 9/1996 Konotopsky
D375,125 S 10/1996 Mallek
D375,530 S 11/1996 Rudd
5,575,480 A 11/1996 Wehr
D382,601 S 8/1997 Antill
5,755,439 A 5/1998 Turner
D405,474 S 2/1999 Trondson
5,871,216 A 2/1999 Sparacino

(Continued)

(56) **References Cited**

U.S. PATENT DOCUMENTS

285,396 A 9/1883 Windt
922,717 A 5/1909 Parker
1,636,290 A 7/1927 Nichols
1,636,920 A 7/1927 Nichols
2,021,989 A 11/1935 De Master
2,050,914 A 8/1936 Anderson
2,291,104 A 7/1942 Radzyner
3,628,793 A 12/1971 Mudloff
3,837,650 A 9/1974 Haney
4,186,925 A 2/1980 Goldfarb
4,239,232 A 12/1980 Durham, Sr.
4,243,229 A 1/1981 Huser
4,565,375 A 1/1986 Dresel
4,709,929 A 12/1987 Mills
4,726,591 A 2/1988 Johnson
4,761,008 A 8/1988 Huggins
4,877,256 A 10/1989 Falloon
4,923,201 A 5/1990 Nichol
4,927,160 A 5/1990 Nichol

Primary Examiner — Brian N Vinson

(74) *Attorney, Agent, or Firm* — Stephen D. Carver

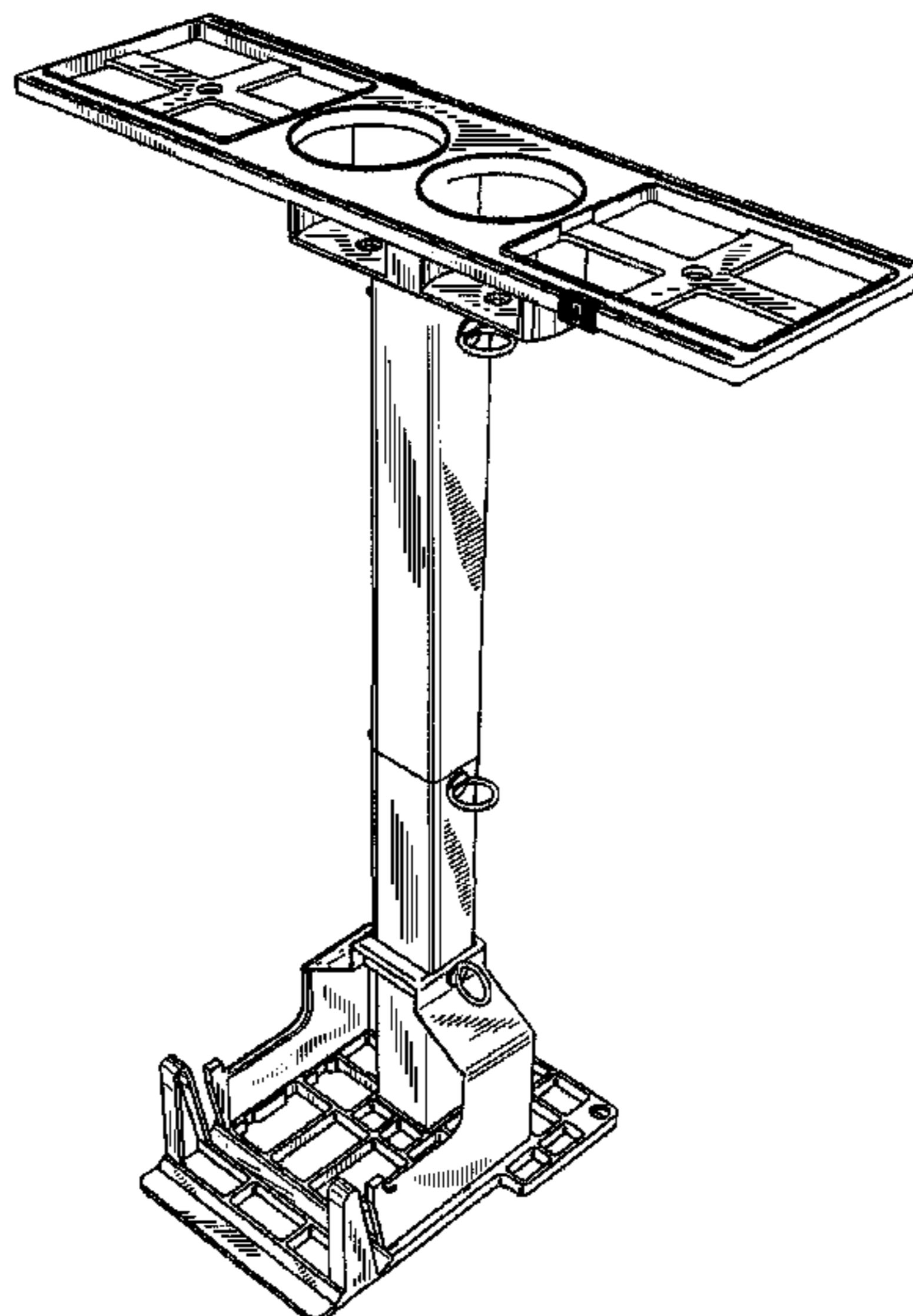
(57) **CLAIM**

The ornamental design for an accessory stand for a bag toss game, as shown.

DESCRIPTION

FIG. 1 is a frontal isometric view of my new accessory stand;
FIG. 2 is a rear isometric view thereof;
FIG. 3 is a top isometric view thereof;
FIG. 4 is a front elevational view thereof;
FIG. 5 is a right side elevational view thereof;
FIG. 6 is a left side elevational view thereof; and,
FIG. 7 is a top plan view thereof.

1 Claim, 7 Drawing Sheets



US D662,746 S

Page 2

U.S. PATENT DOCUMENTS

D406,483	S *	3/1999	Bast	D6/552	D545,911	S	7/2007	Verni	
D408,462	S	4/1999	Fryez			7,237,777	B2	7/2007	Digges, III	
5,909,877	A	6/1999	Bour			D548,286	S	8/2007	Taylor	
D416,947	S	11/1999	Coutu, Sr.			7,314,420	B2	1/2008	Koinstant	
6,068,260	A	5/2000	Dean			D599,601	S *	9/2009	Mallen D6/552
6,161,833	A	12/2000	Gomez			7,582,031	B2	9/2009	Runck	
6,244,598	B1	6/2001	Conville			D604,547	S *	11/2009	Chang D6/552
6,296,249	B1	10/2001	Mogensen			D604,977	S *	12/2009	Conville D6/552
6,341,780	B1	1/2002	Pant			2002/0079645	A1	6/2002	Brown	
6,464,226	B1	10/2002	Kephart			2004/0108658	A1	6/2004	Bartel	
D474,246	S	5/2003	Carr			2004/0178584	A1	9/2004	Fairbanks	
D478,233	S *	8/2003	Chaney et al.	D6/552	2004/0239036	A1	12/2004	Fairbanks	
6,742,789	B1	6/2004	Nowak			2005/0127609	A1	6/2005	Raslowsky	
6,752,278	B2 *	6/2004	Craft et al.	211/85.7	2006/0038341	A1	2/2006	Konstant	
D498,962	S *	11/2004	Moon et al.	D6/552	2006/0125186	A1	6/2006	Digges, III	
6,866,268	B2	3/2005	Christianson			2007/0063447	A1	3/2007	Gholson	
6,923,448	B2	8/2005	Fairbanks			2007/0080499	A1	4/2007	Greiwe	
6,932,344	B1	8/2005	Soto			2008/0042360	A1	2/2008	Veikley	
6,932,345	B1	8/2005	O'Dell			2008/0116644	A1	5/2008	Knoernschild	
D544,041	S	6/2007	Murphy			2008/0157476	A1	7/2008	Striebel	

* cited by examiner

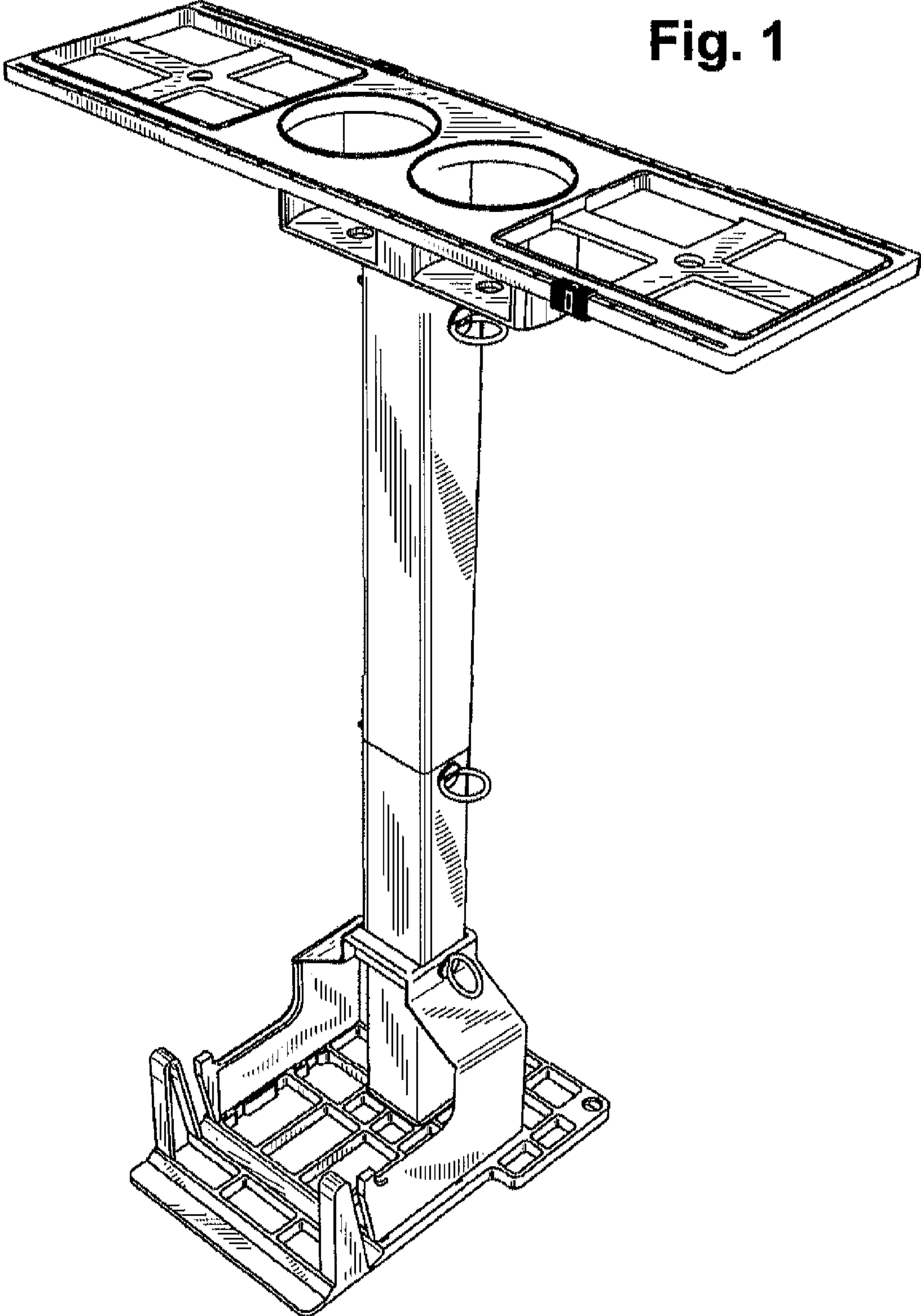


Fig. 1

Fig. 2

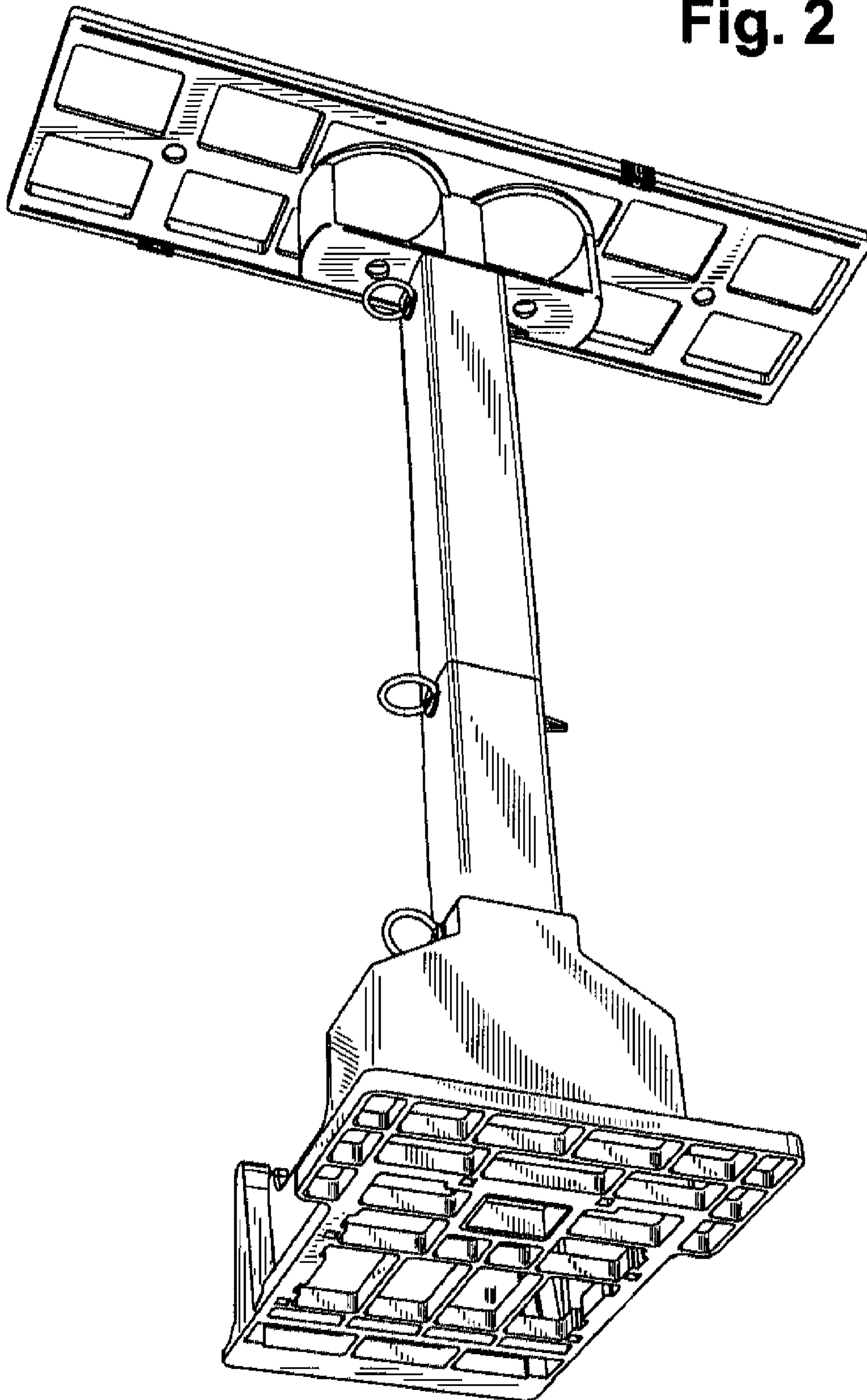
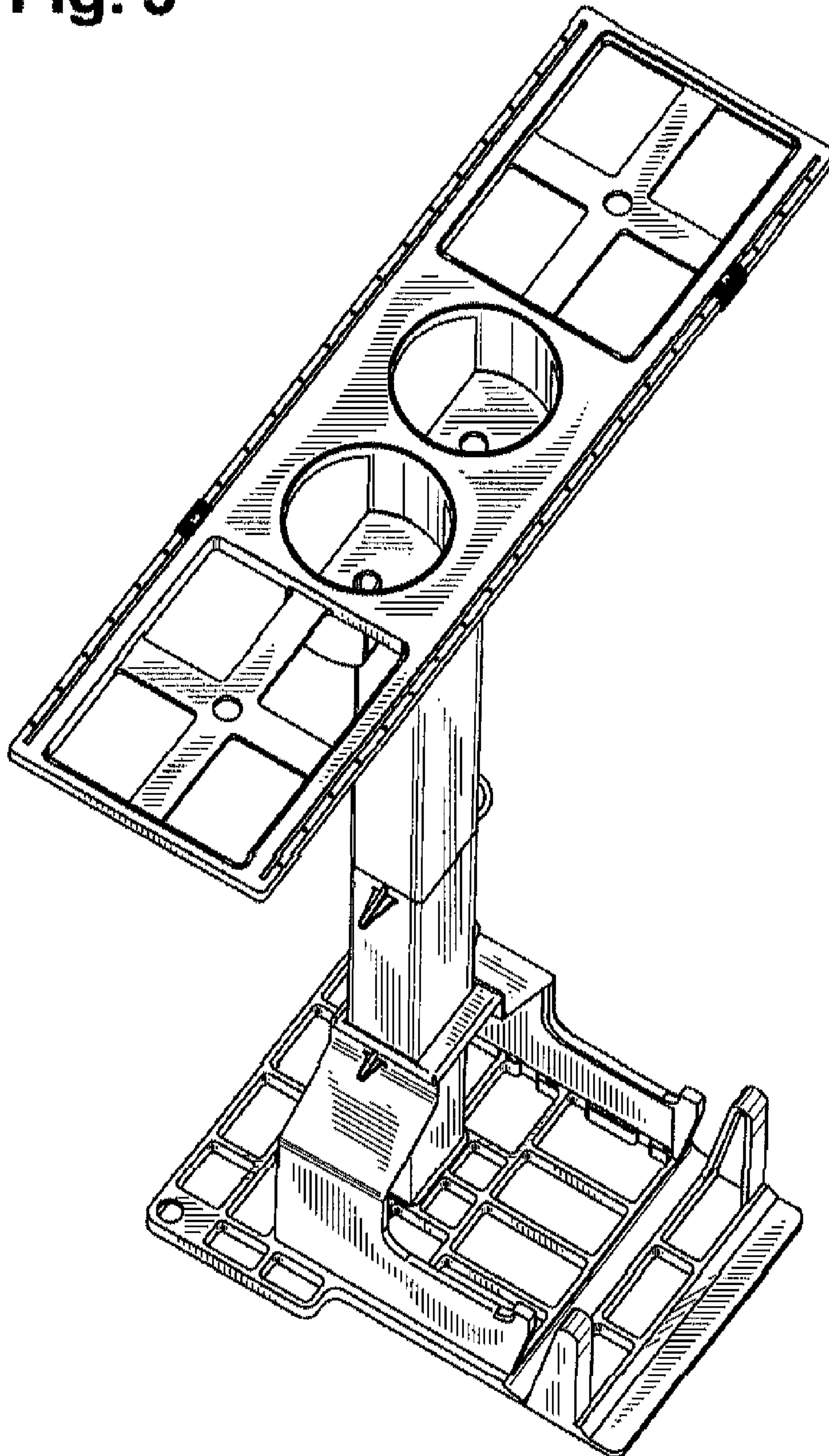


Fig. 3



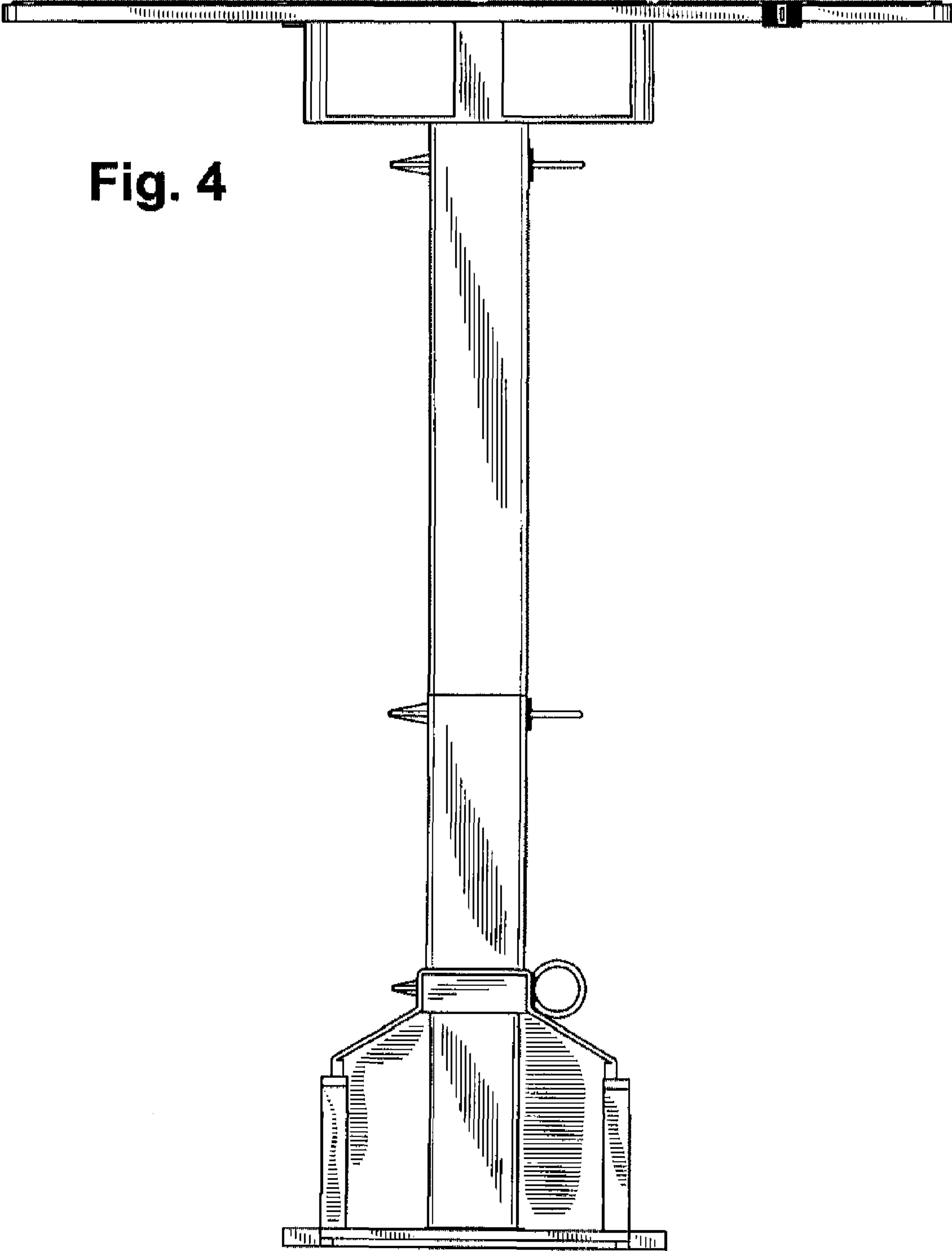
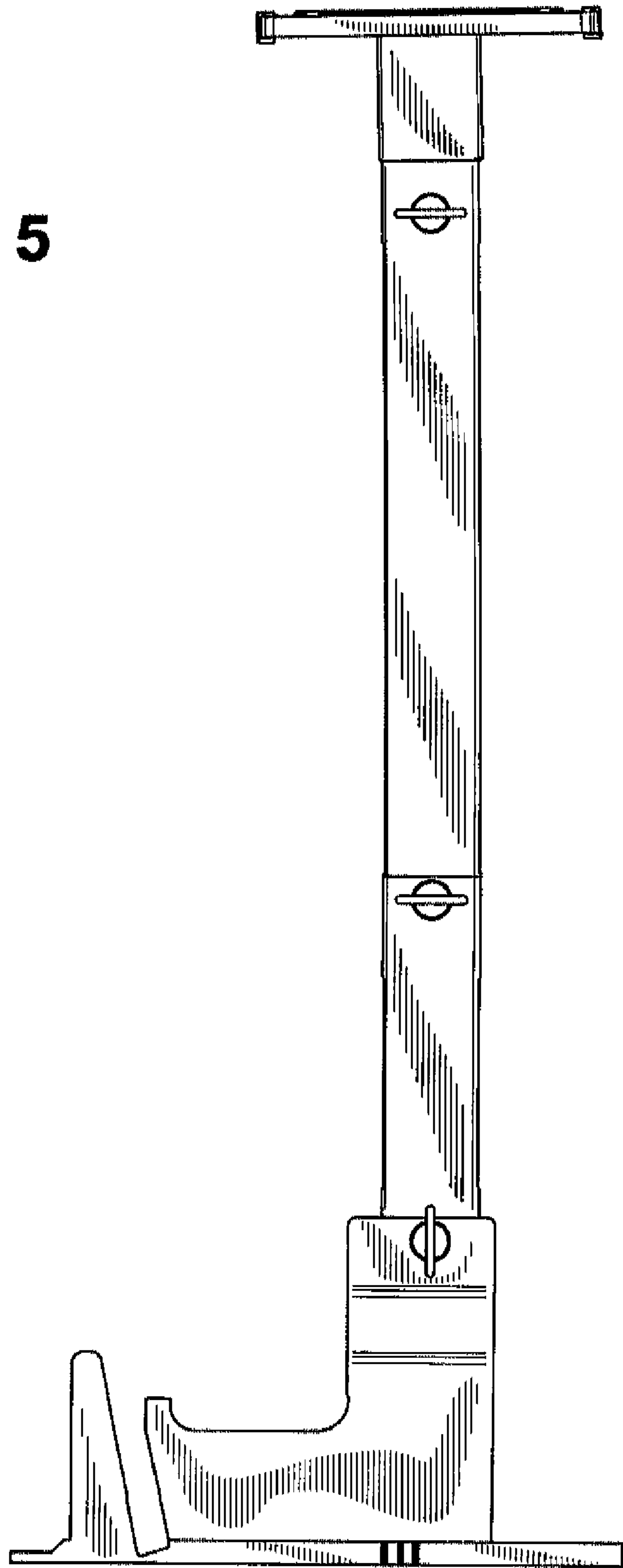


Fig. 4

Fig. 5



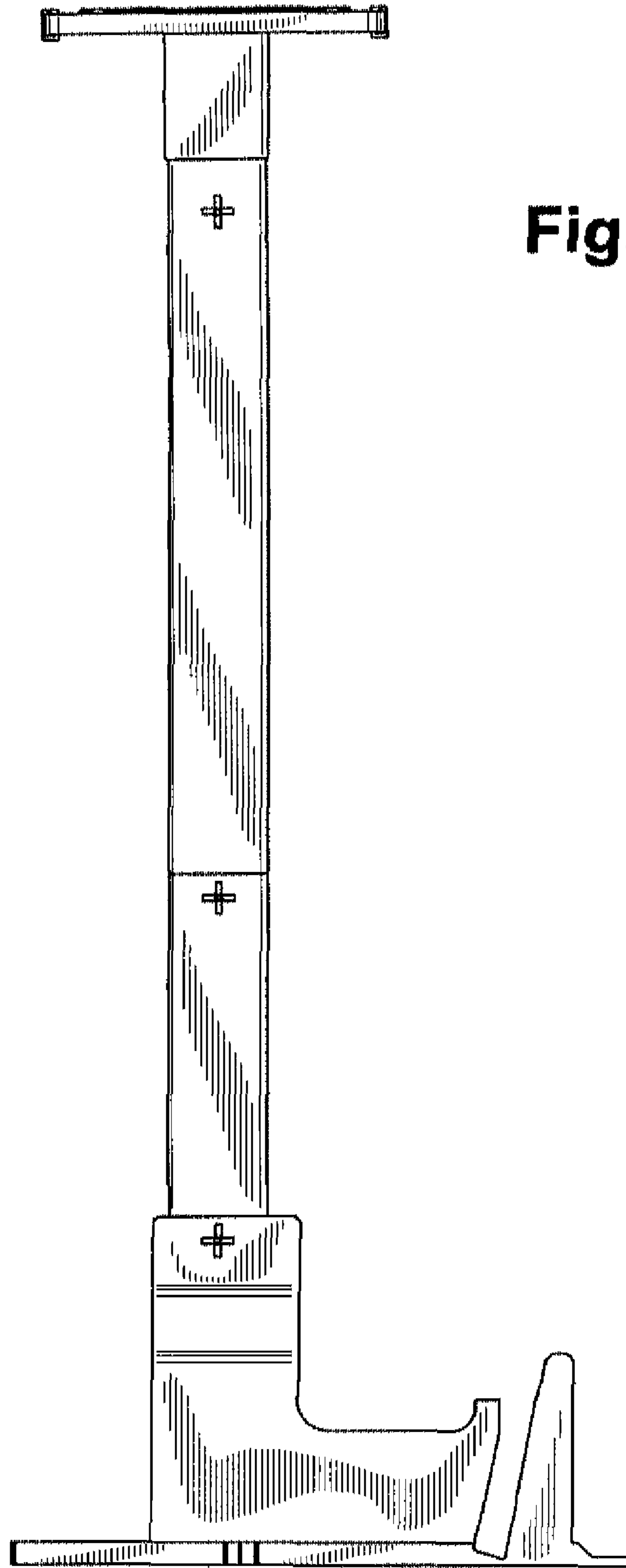


Fig. 6

Fig. 7

