

US00D662745S

(12) **United States Design Patent**
Zalewski

(10) **Patent No.:** **US D662,745 S**

(45) **Date of Patent:** **** Jul. 3, 2012**

(54) **FISHING ROD HOLDER FOR USE WITH A DECK**

(76) Inventor: **Tadeusz Zalewski**, Garfield, NJ (US)

(**) Term: **14 Years**

(21) Appl. No.: **29/377,992**

(22) Filed: **Oct. 28, 2010**

(51) **LOC (9) Cl.** **08-08**

(52) **U.S. Cl.** **D6/552**

(58) **Field of Classification Search** D6/552,
D6/553, 567; D22/109; 211/13.1, 60.1,
211/64, 70.2, 70.6, 70.8; 248/512, 520; 43/21.2
See application file for complete search history.

(56) **References Cited**

U.S. PATENT DOCUMENTS

D255,259	S	6/1980	Nelson	
5,566,495	A	10/1996	Kim et al.	
5,625,974	A	5/1997	Demaio	
5,632,112	A	5/1997	Steinborn	
D381,392	S *	7/1997	Darling D22/148
5,813,163	A	9/1998	Dysarz	
5,967,075	A	10/1999	Johansen	

D458,878	S *	6/2002	Greco	D6/552
6,497,067	B1	12/2002	King		
6,898,893	B1	5/2005	Mukdaprakorn		
6,962,018	B1 *	11/2005	King	43/21.2
7,278,233	B2 *	10/2007	Melville	43/21.2
D598,689	S *	8/2009	McDonald	D6/552
D655,548	S *	3/2012	Lawrence	D6/552

* cited by examiner

Primary Examiner — Brian N Vinson

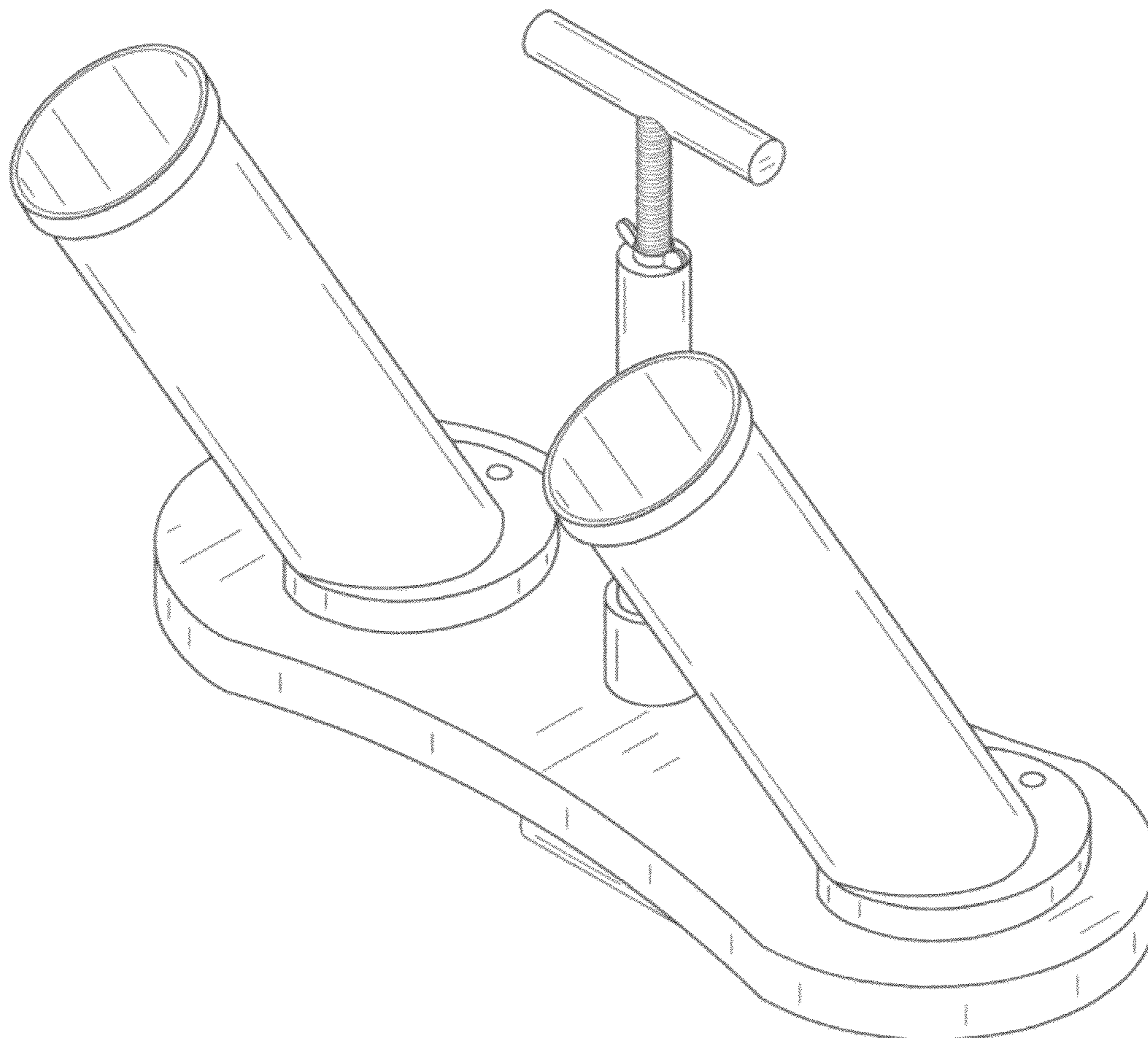
(57) **CLAIM**

The ornamental design for a fishing rod holder for use with a deck, as shown and described.

DESCRIPTION

FIG. 1 is a perspective view of a fishing rod holder for use with a deck showing my new design;
FIG. 2 is a front view thereof;
FIG. 3 is a back view thereof;
FIG. 4 is a side view (opposite side view is mirror image) thereof;
FIG. 5 is a top view thereof; and,
FIG. 6 is a bottom view thereof.

1 Claim, 6 Drawing Sheets



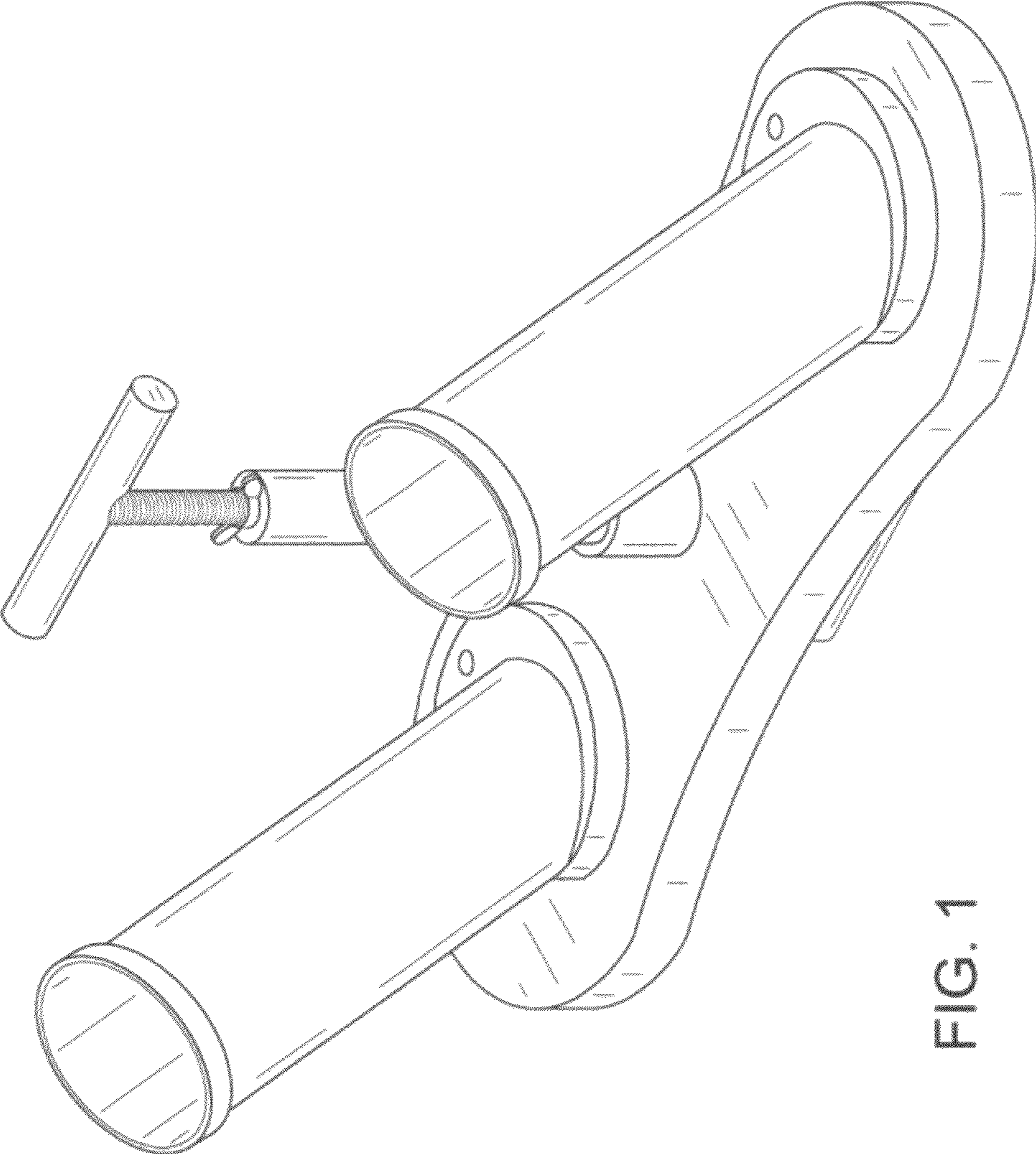


FIG. 1

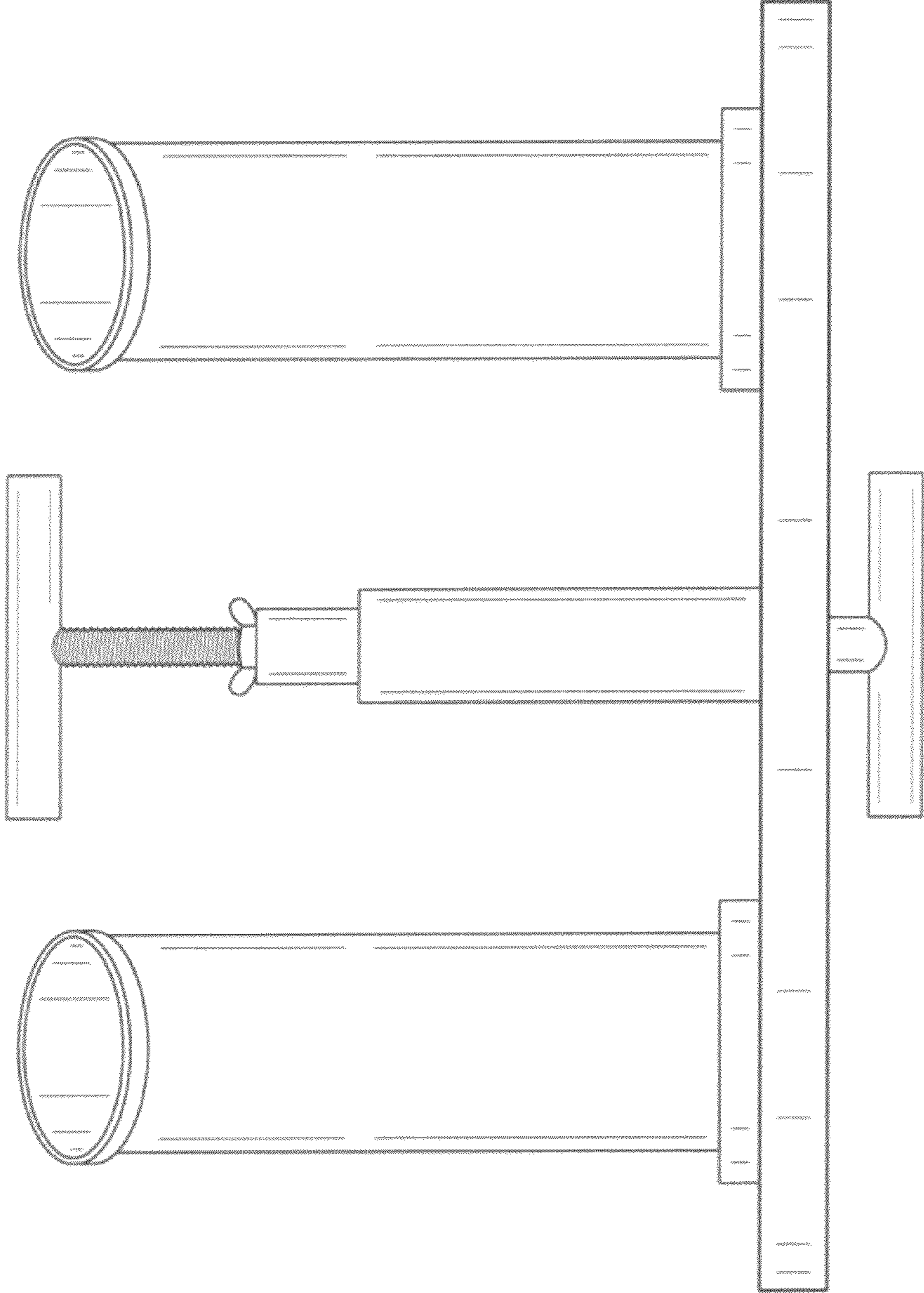


FIG. 2

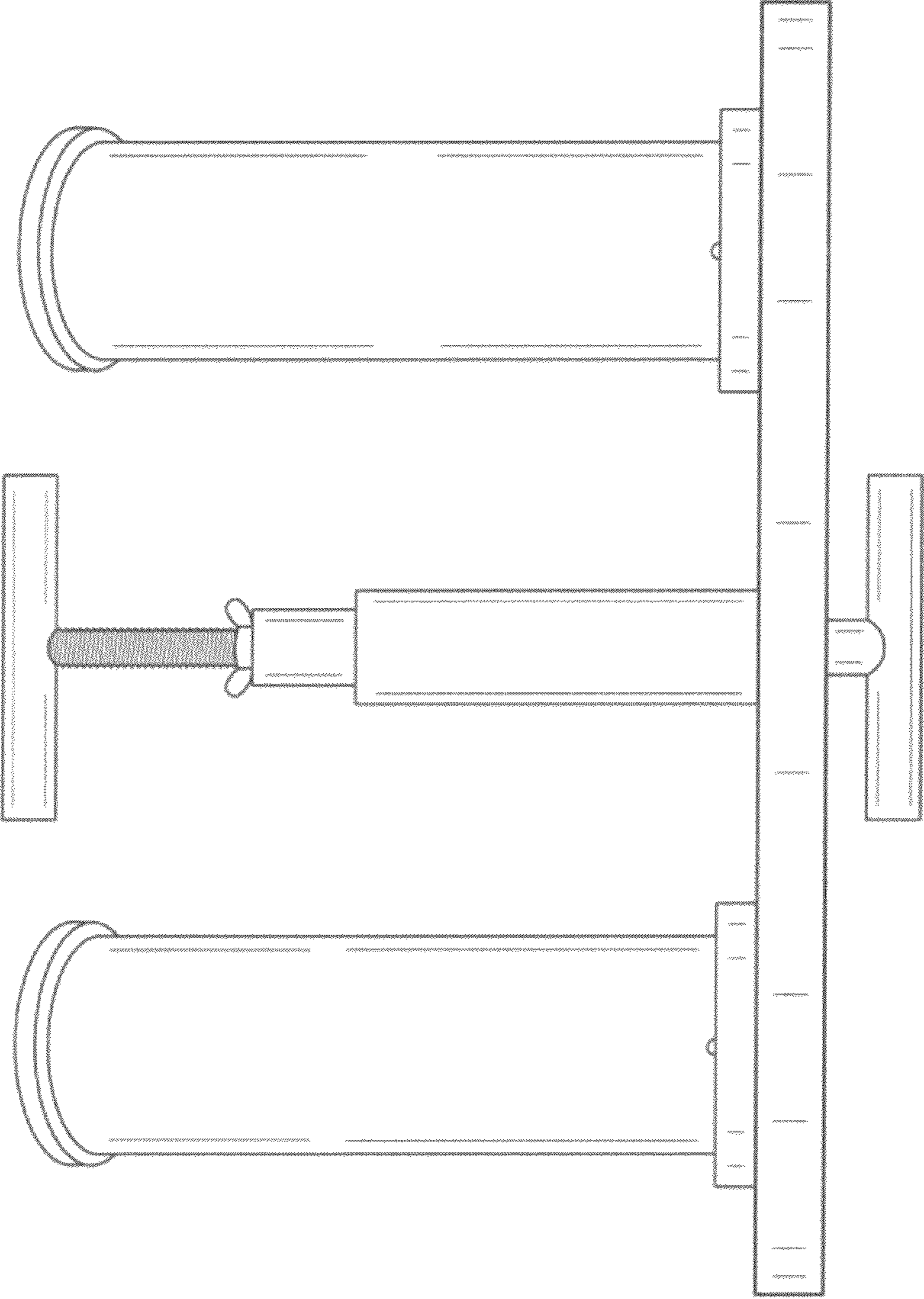


FIG. 3

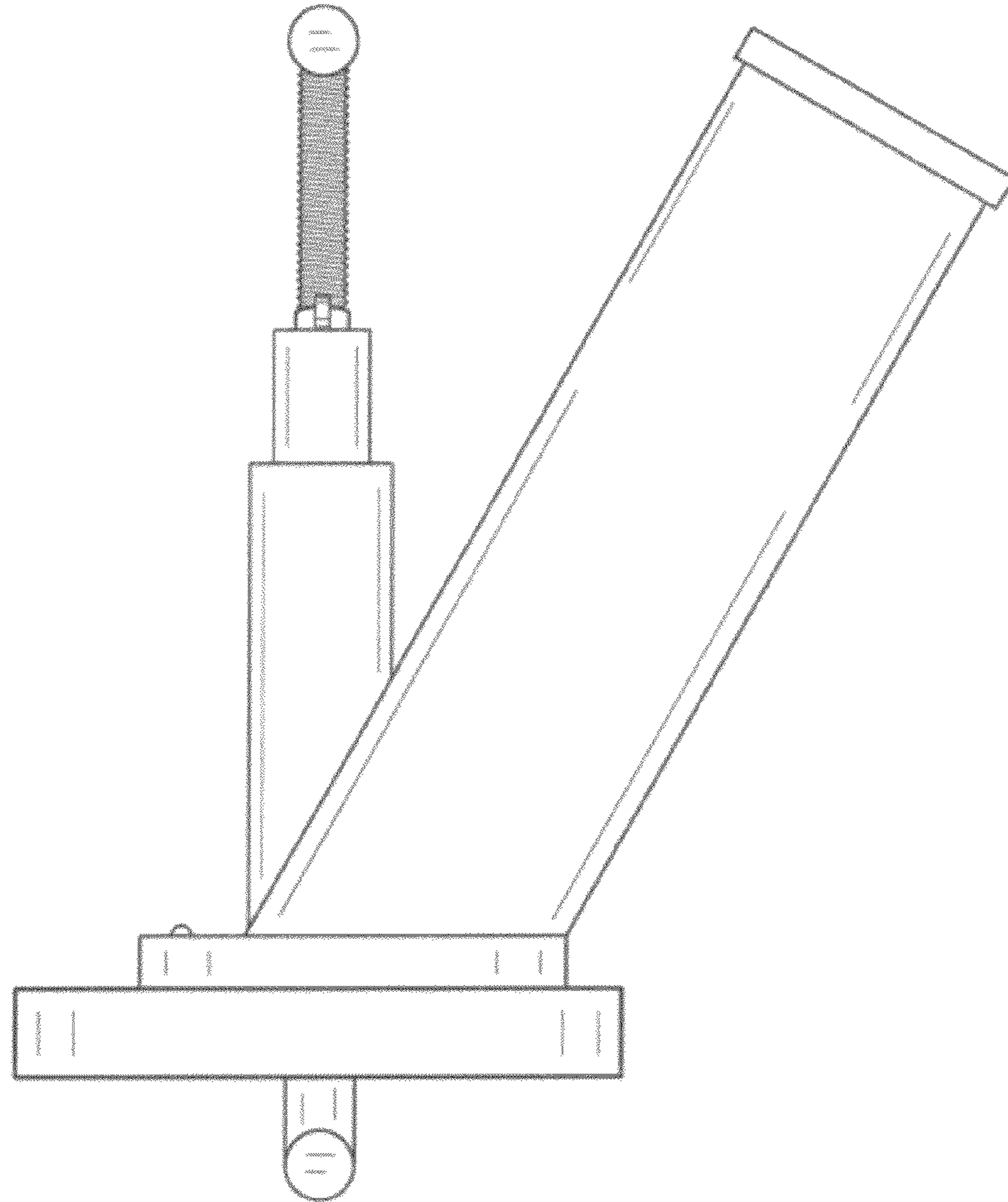


FIG. 4

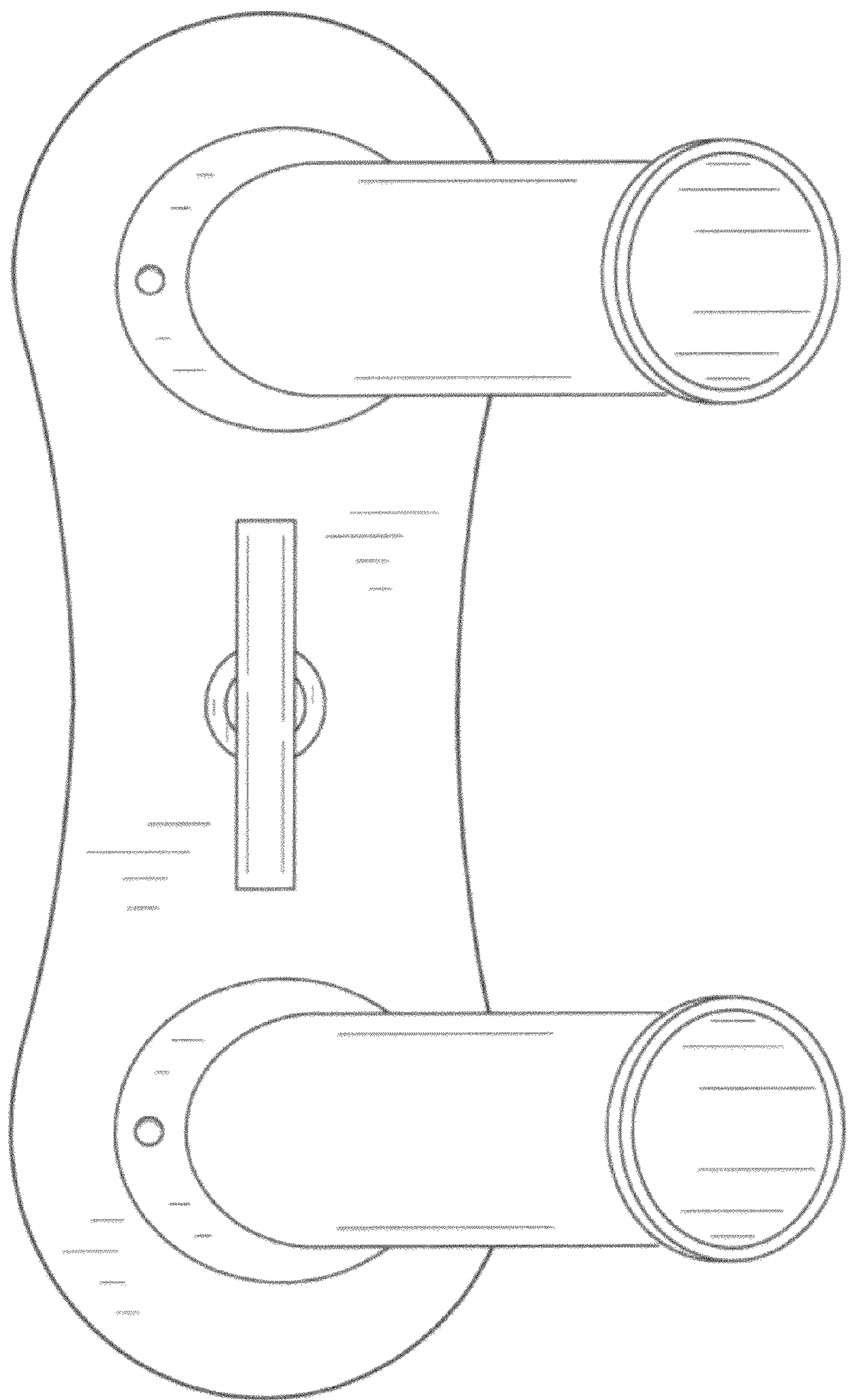


FIG. 5

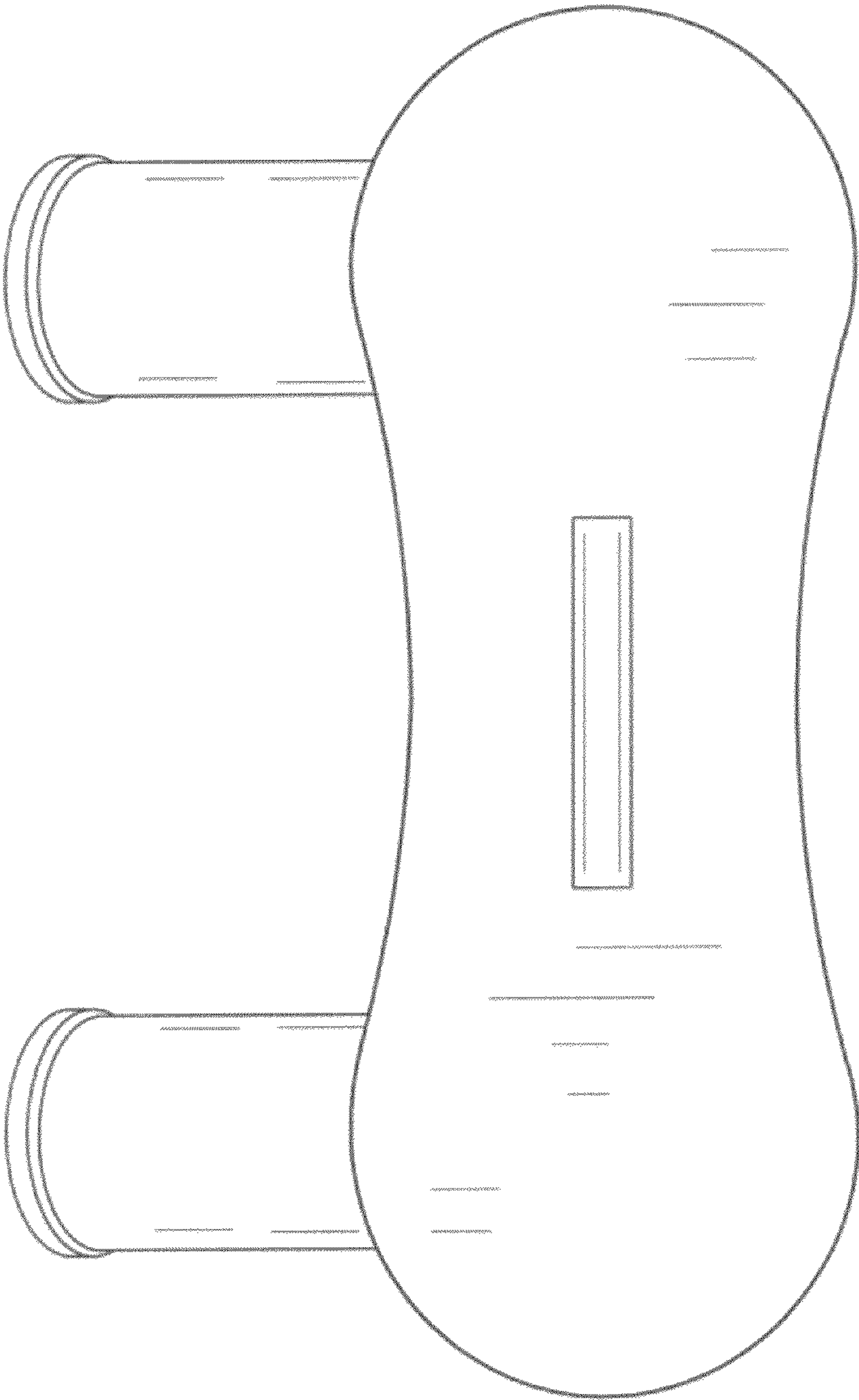


FIG. 6