



US00D662744S

(12) **United States Design Patent**  
**Memory et al.**

(10) **Patent No.:** **US D662,744 S**  
(45) **Date of Patent:** **\*\* Jul. 3, 2012**

(54) **DISPENSER FOR PERSONAL CARE LIQUIDS**

(75) Inventors: **Susan H. Memory**, Richmond (CA);  
**Alex Feldman**, Vancouver (CA); **Terry J. Brown**, Vancouver (CA)

(73) Assignee: **J.R.S. Amenities Ltd.**, Richmond (CA)

(\*\*) Term: **14 Years**

(21) Appl. No.: **29/410,728**

(22) Filed: **Jan. 11, 2012**

(30) **Foreign Application Priority Data**

Jul. 12, 2011 (CA) ..... 141368

(51) **LOC (9) Cl.** ..... **23-02**

(52) **U.S. Cl.** ..... **D6/545**

(58) **Field of Classification Search** ..... D6/542-545;  
221/208, 282, 283; 222/105, 173, 180, 181.1,  
222/181.2, 181.3

See application file for complete search history.

(56) **References Cited**

**U.S. PATENT DOCUMENTS**

D93,753 S *	10/1934	Weirich	.....	D6/545
D242,405 S *	11/1976	Genovese	.....	D6/545
D326,581 S *	6/1992	Hanna et al.	.....	D6/545
D341,742 S *	11/1993	Ornatowski	.....	D6/545
D386,640 S *	11/1997	Wirt et al.	.....	D6/545
D395,774 S *	7/1998	Phillips et al.	.....	D6/545

D416,418 S *	11/1999	Kampe et al.	.....	D6/545
D443,782 S *	6/2001	Kauzlarich et al.	.....	D6/545
D453,648 S *	2/2002	Gottwald	.....	D6/545
D500,222 S *	12/2004	Haas	.....	D6/545
D552,394 S *	10/2007	Vanlane	.....	D6/545
D565,336 S *	4/2008	Bickler et al.	.....	D6/545
D639,591 S *	6/2011	Wallace	.....	D6/545

\* cited by examiner

*Primary Examiner* — Brian N Vinson

(74) *Attorney, Agent, or Firm* — Oyen Wiggs Green & Mutala LLP

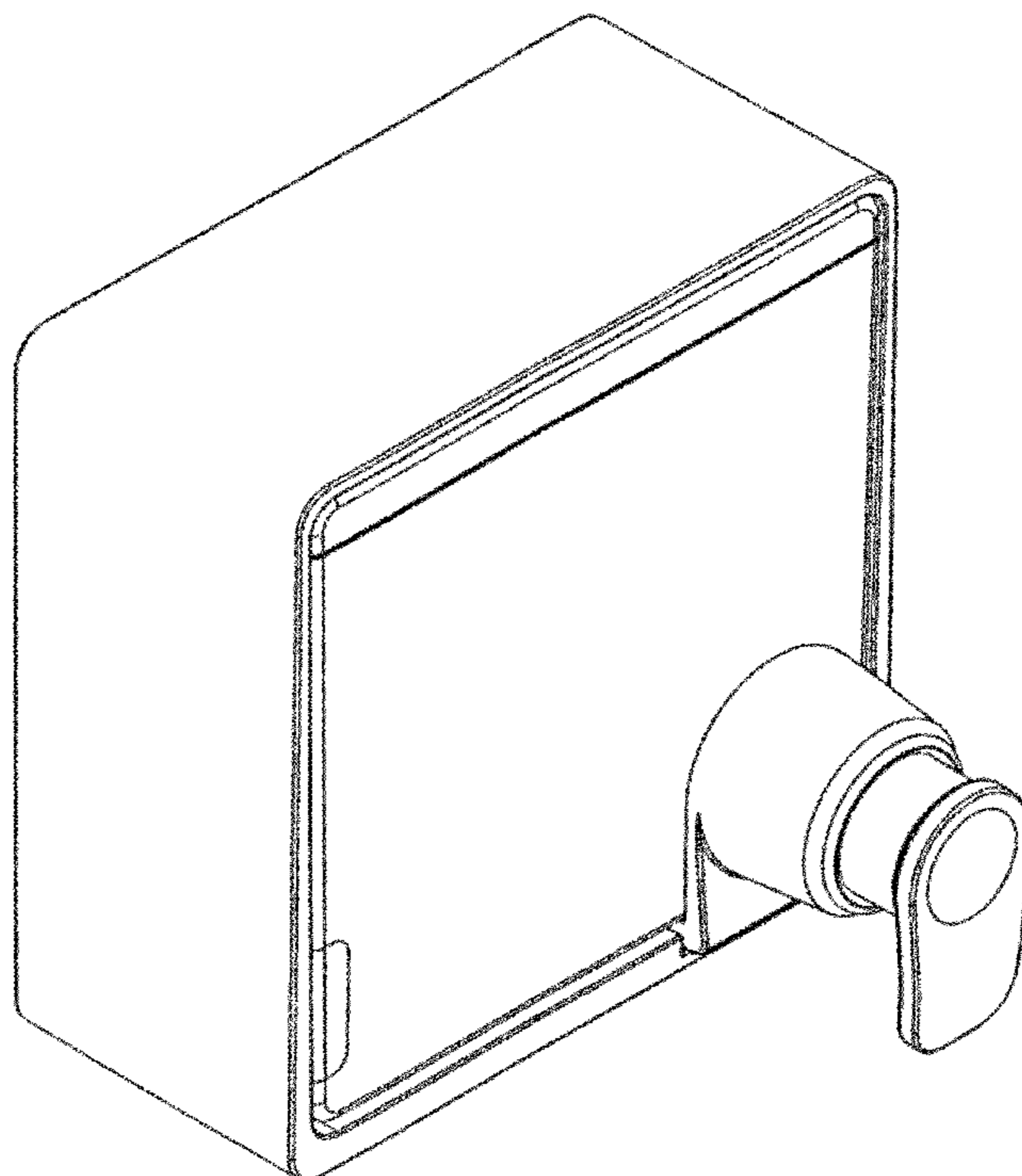
(57) **CLAIM**

The ornamental design for a dispenser for personal care liquids, as shown and described.

**DESCRIPTION**

FIG. 1 is an upper side perspective view of the dispenser. FIG. 2 is a lower side perspective view of the dispenser of FIG. 1. FIG. 3 is a front elevational view of the dispenser of FIG. 1. FIG. 4 is a back elevational view of the dispenser of FIG. 1. FIG. 5 is a right side elevational view of the dispenser of FIG. 1, the left side elevational view being a mirror image thereof. FIG. 6 is a top plan view of the dispenser of FIG. 1; and, FIG. 7 is a bottom plan view of the dispenser of FIG. 1.

**1 Claim, 7 Drawing Sheets**



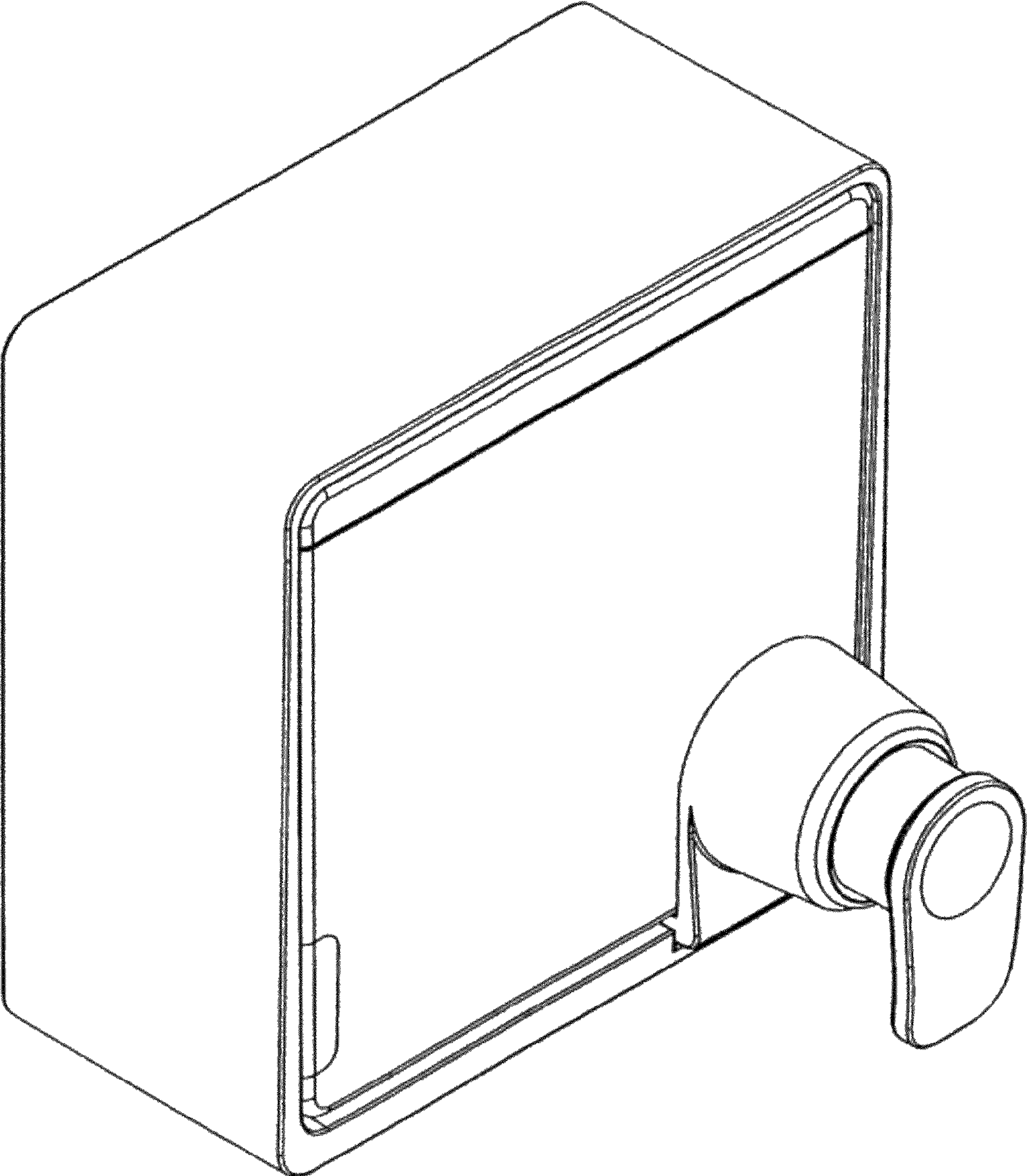


FIG. 1

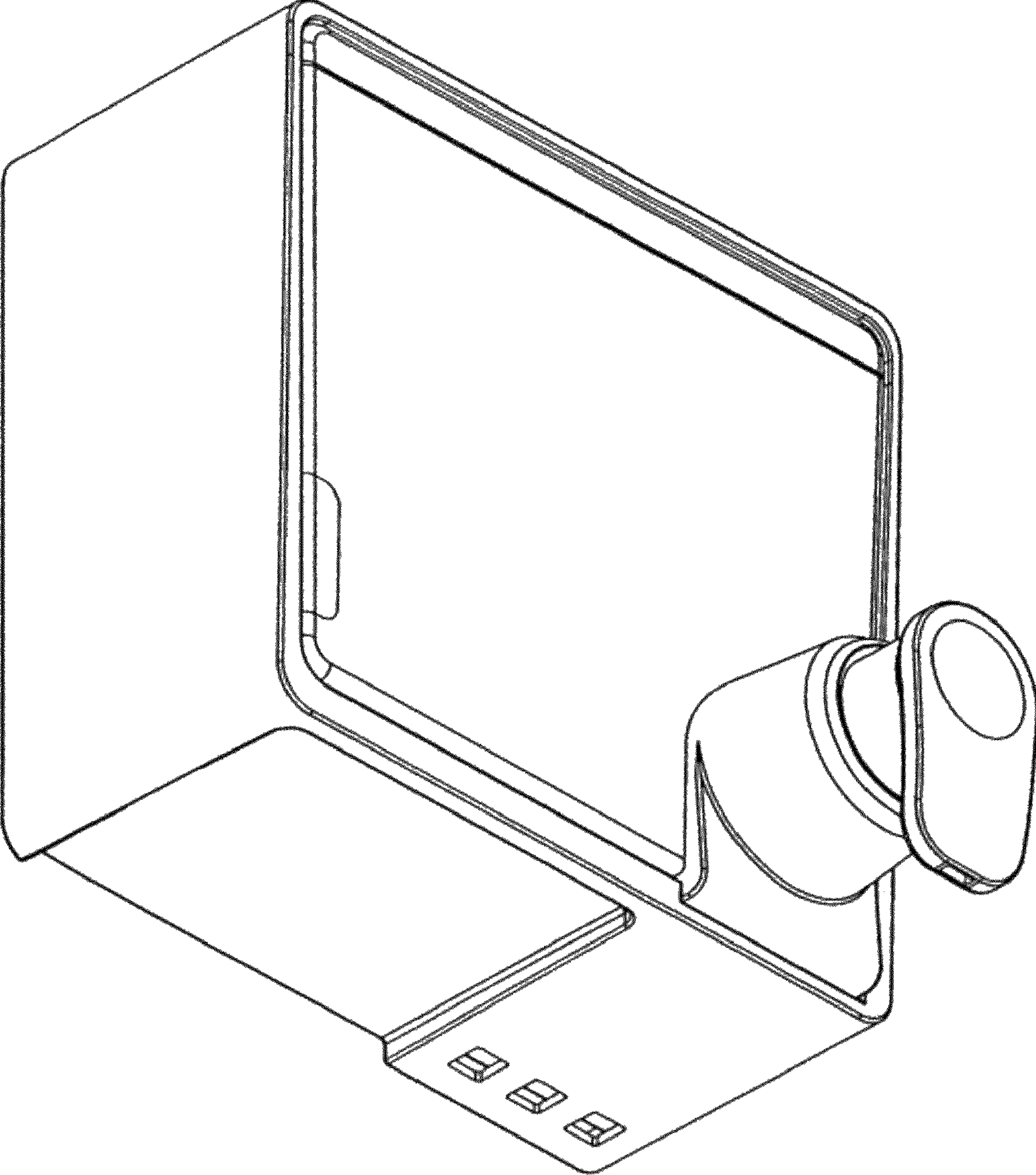


FIG. 2



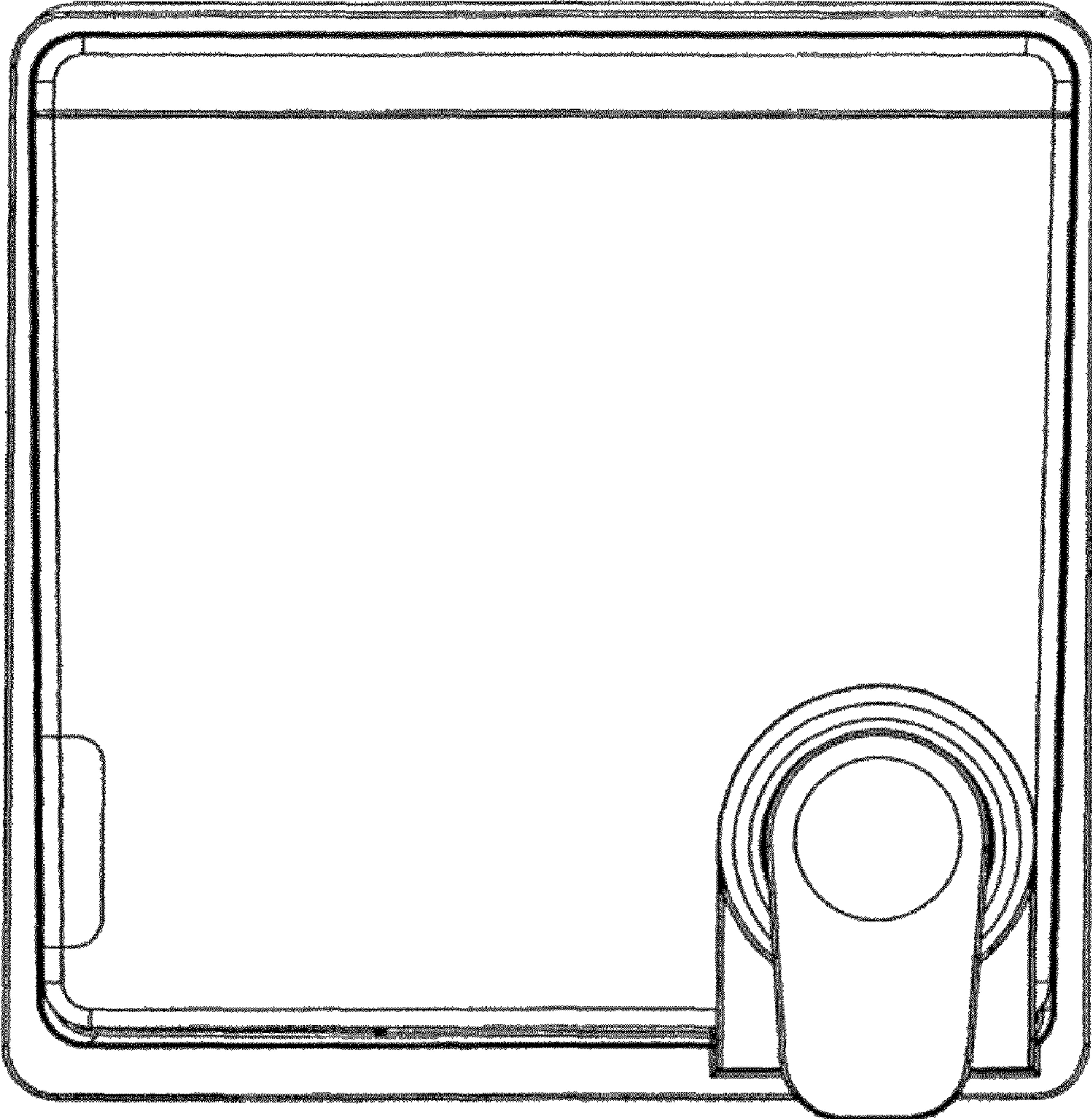


FIG. 3

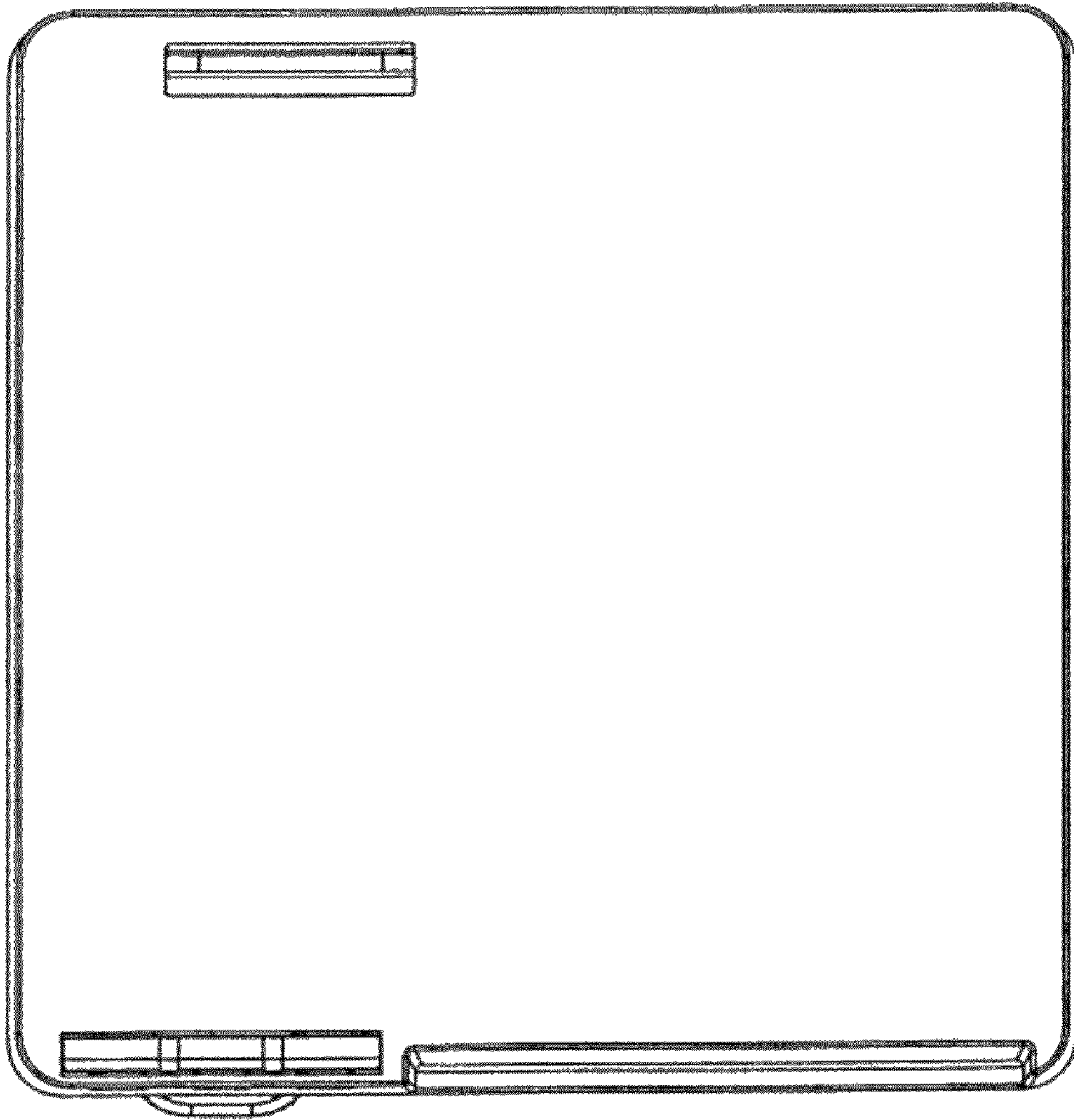


FIG. 4

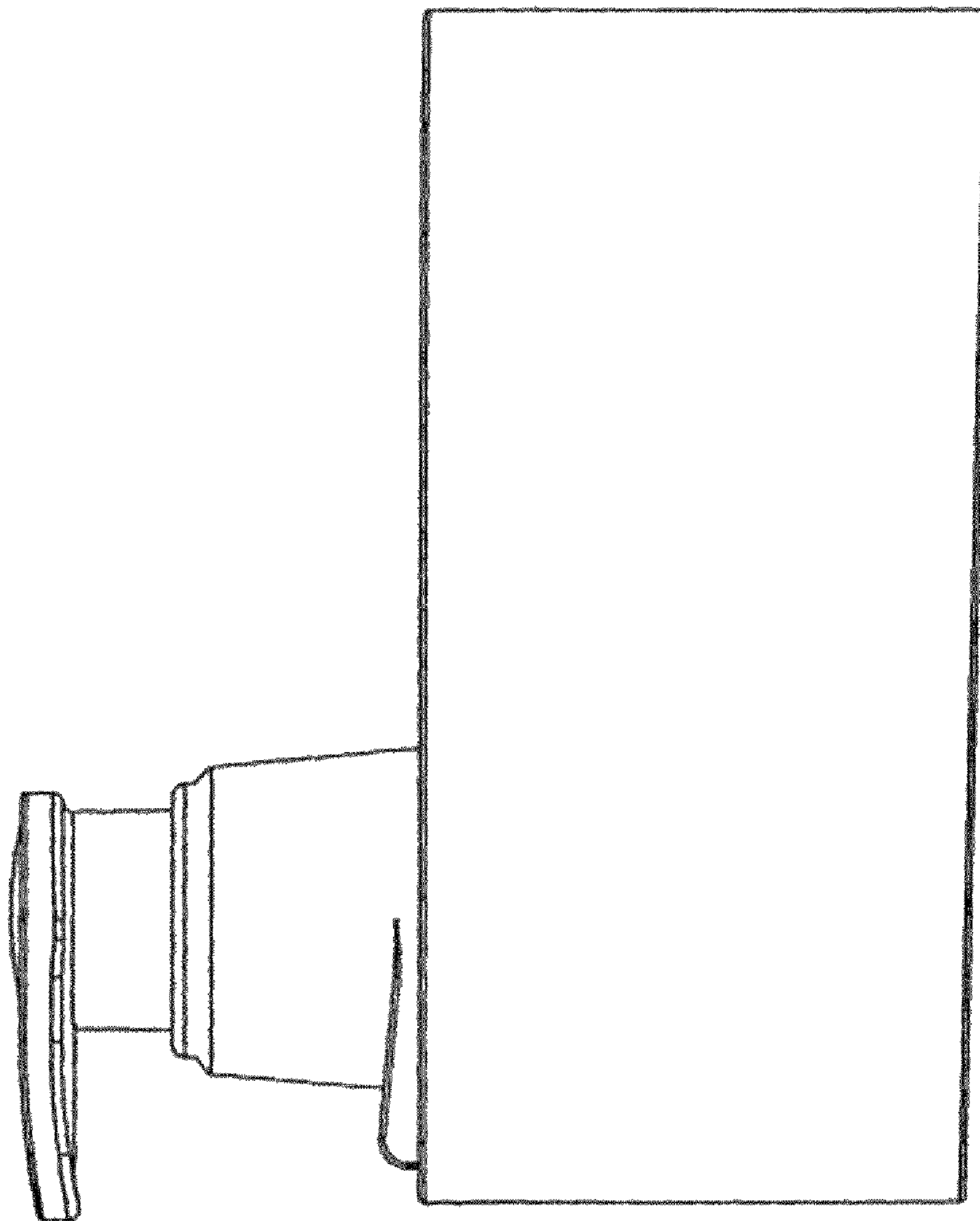


FIG. 5

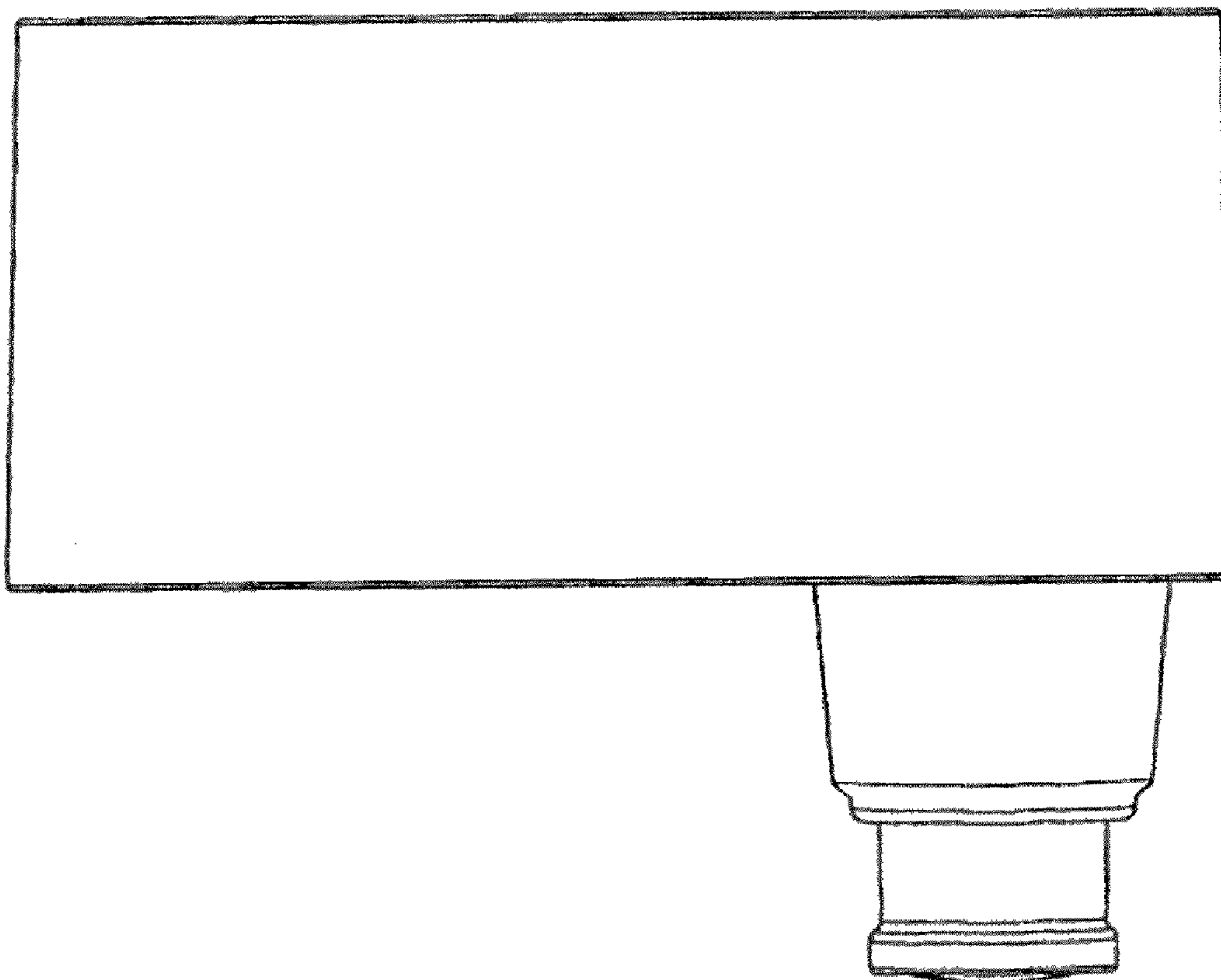


FIG. 6



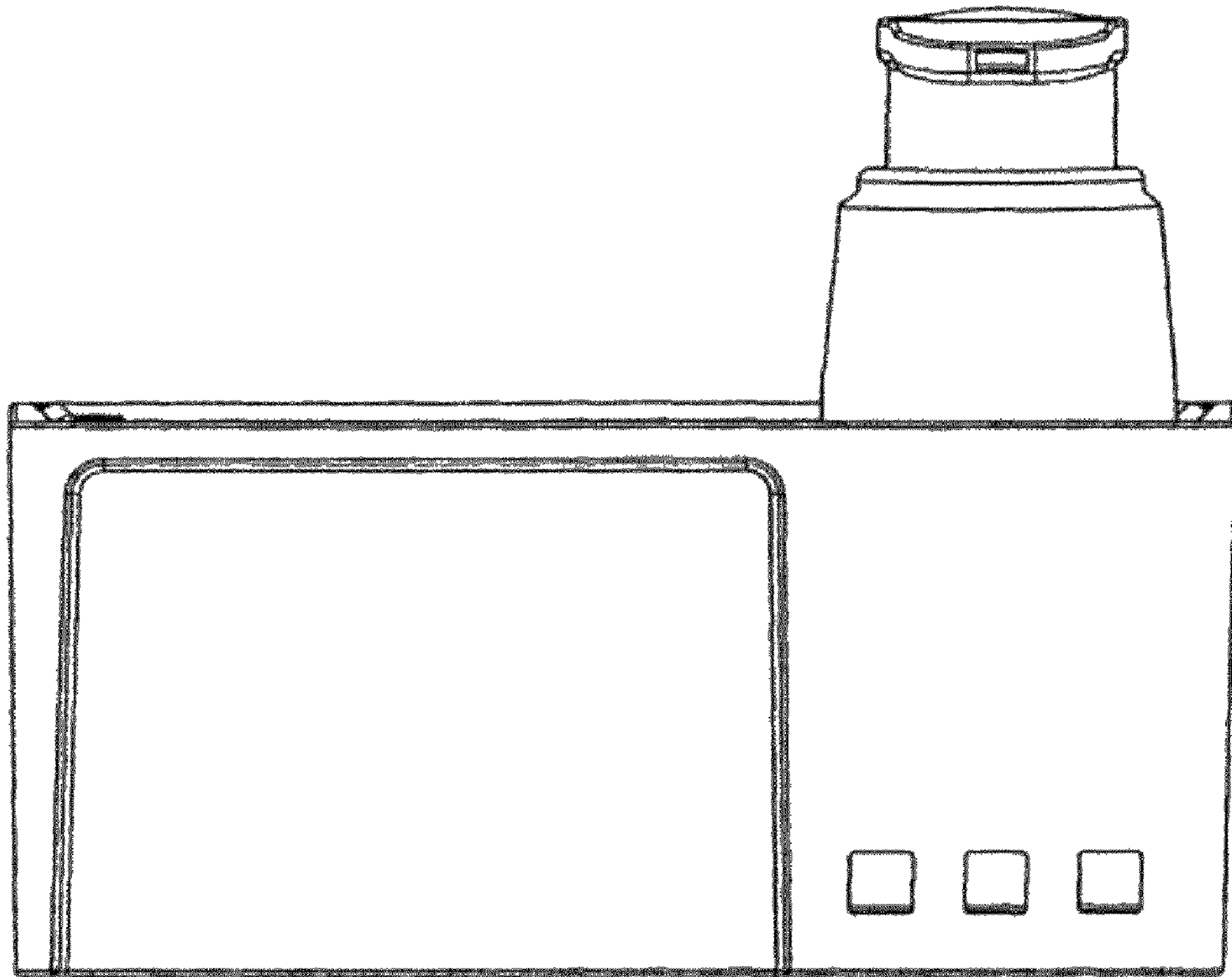


FIG. 7