

US00D662742S

(12) **United States Design Patent**
DelGigante et al.

(10) **Patent No.:** **US D662,742 S**
(45) **Date of Patent:** **** Jul. 3, 2012**

(54) **DISPENSER**

(56) **References Cited**

(75) Inventors: **Jesse DelGigante**, Essex Falls, NJ (US);
Christopher Leonard Padain,
Hoboken, NJ (US); **Richard Brian**
Clough, Stourbridge (GB); **Peter Kay**,
Rugby (GB); **Clive John**
Southernwood, Nr Banbury (GB);
Stephanie Anne Marije Verschoor,
Brentford (GB)

U.S. PATENT DOCUMENTS

D486,335 S *	2/2004	Sonneman	D6/542
D531,440 S *	11/2006	Lo	D6/542
D531,845 S *	11/2006	Christianson	D6/542
D554,409 S *	11/2007	Scorgie	D6/542
D564,273 S *	3/2008	Yang et al.	D6/542
D565,878 S *	4/2008	Krus	D6/542
D632,111 S *	2/2011	MacDonald et al.	D6/542

* cited by examiner

(73) Assignee: **Reckitt Benckiser LLC**, Parsippany, NJ
(US)

Primary Examiner — Brian N Vinson

(74) *Attorney, Agent, or Firm* — Norris McLaughlin &
Marcus PA

(**) Term: **14 Years**

(57) **CLAIM**

(21) Appl. No.: **29/385,524**

The ornamental design for a dispenser, as shown and
described.

(22) Filed: **Feb. 15, 2011**

DESCRIPTION

(30) **Foreign Application Priority Data**

Aug. 17, 2010 (EM) 001744541-0003

(51) **LOC (9) Cl.** **23-02**

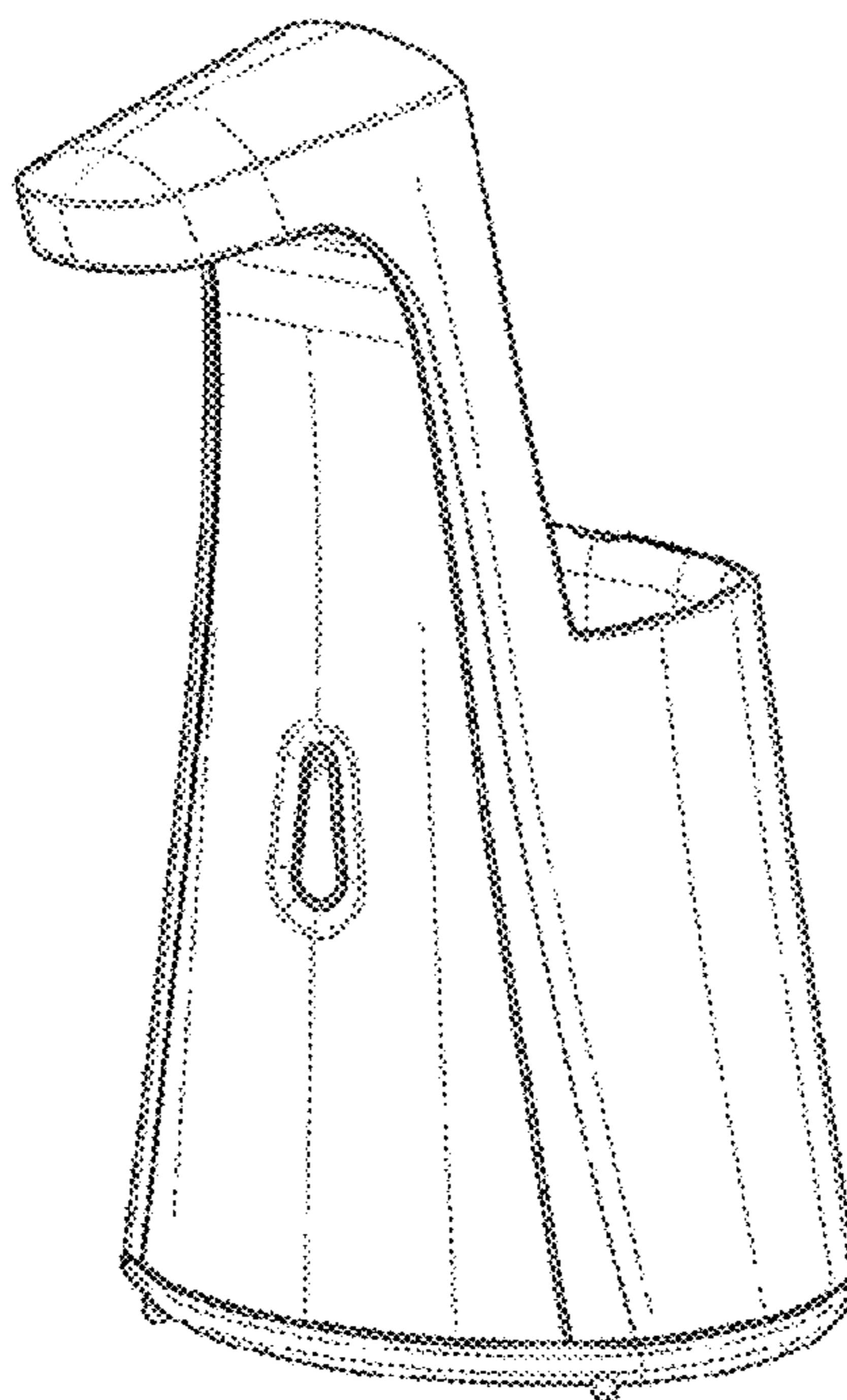
(52) **U.S. Cl.** **D6/542**

(58) **Field of Classification Search** D6/542,
D6/543, 544, 545; D9/682, 688, 690, 69,
D9/291, 448, 449; 222/14, 173, 146.3, 628,
222/251, 181.1, 181.3; 221/282

FIG. 1 is a front perspective view of our dispenser;
FIG. 2 is a front elevation view thereof;
FIG. 3 is a rear elevation view thereof;
FIG. 4 is a right side elevation view thereof;
FIG. 5 is a left side elevation view thereof;
FIG. 6 is a top plan view thereof; and,
FIG. 7 is a bottom plan view thereof.
The broken lines shown in FIGS. 6 and 7 are for illustrative
purposes only and form no part of the claimed design.

See application file for complete search history.

1 Claim, 7 Drawing Sheets



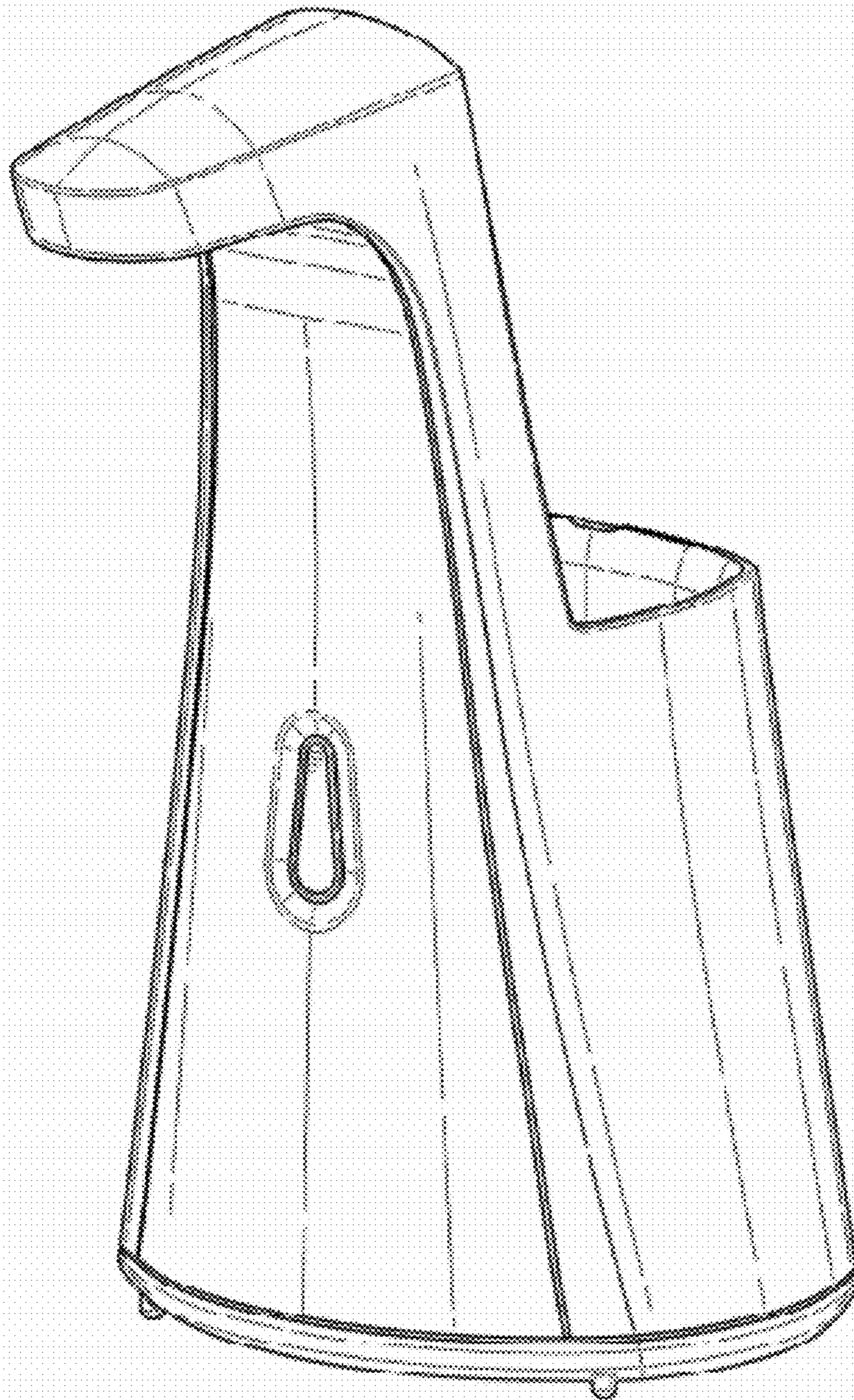


Fig. 1.

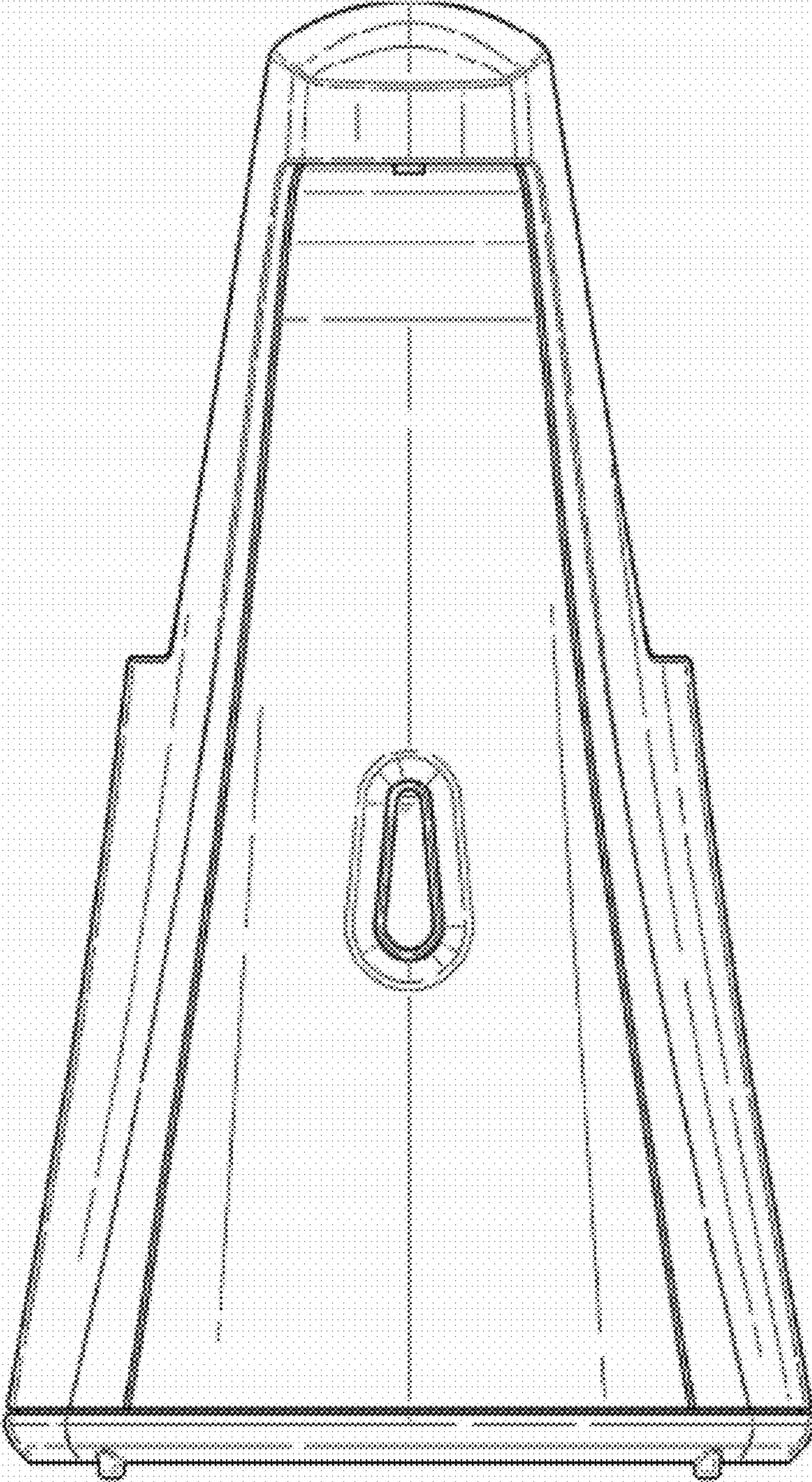


Fig.2.

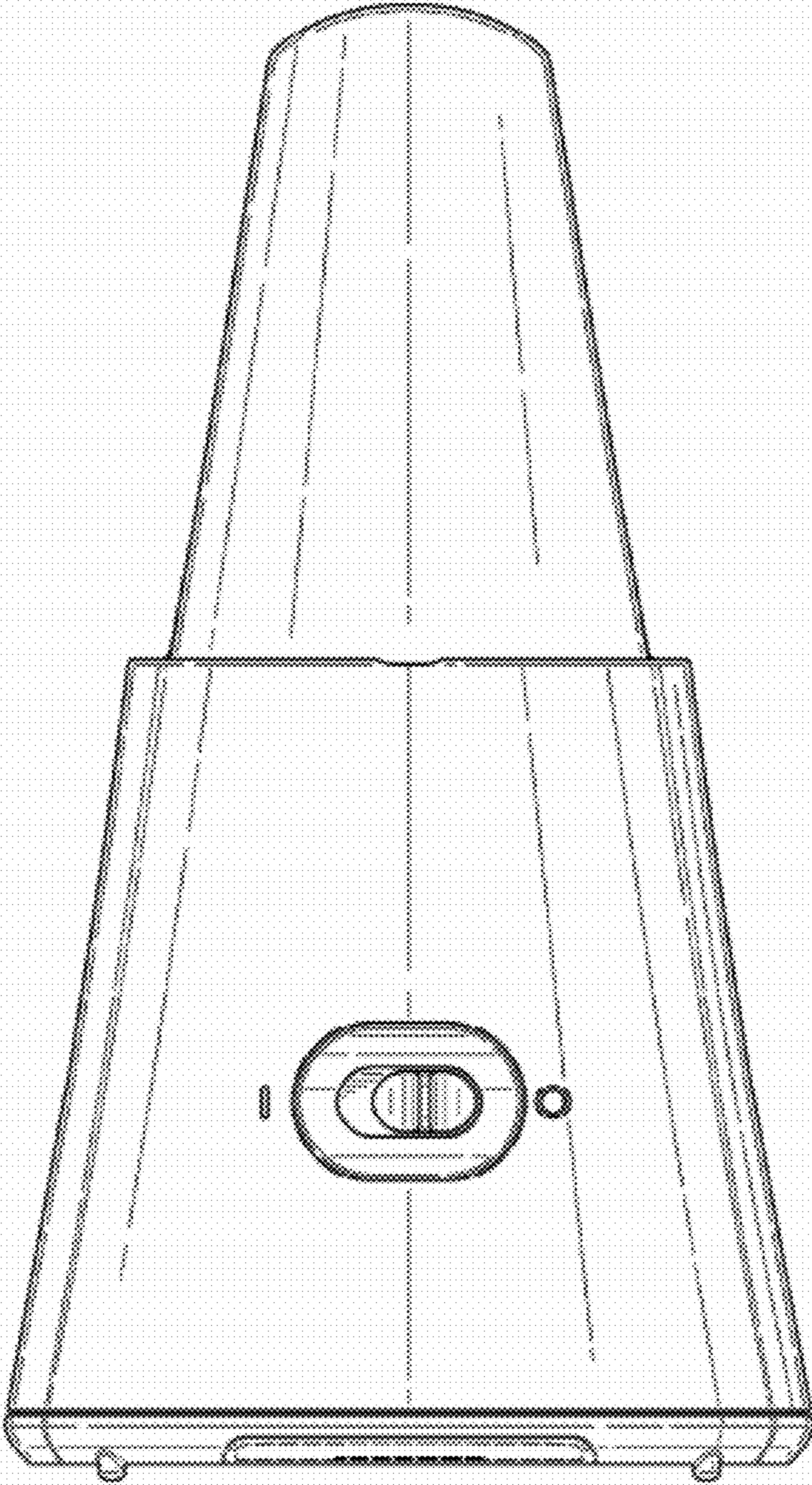


Fig.3.

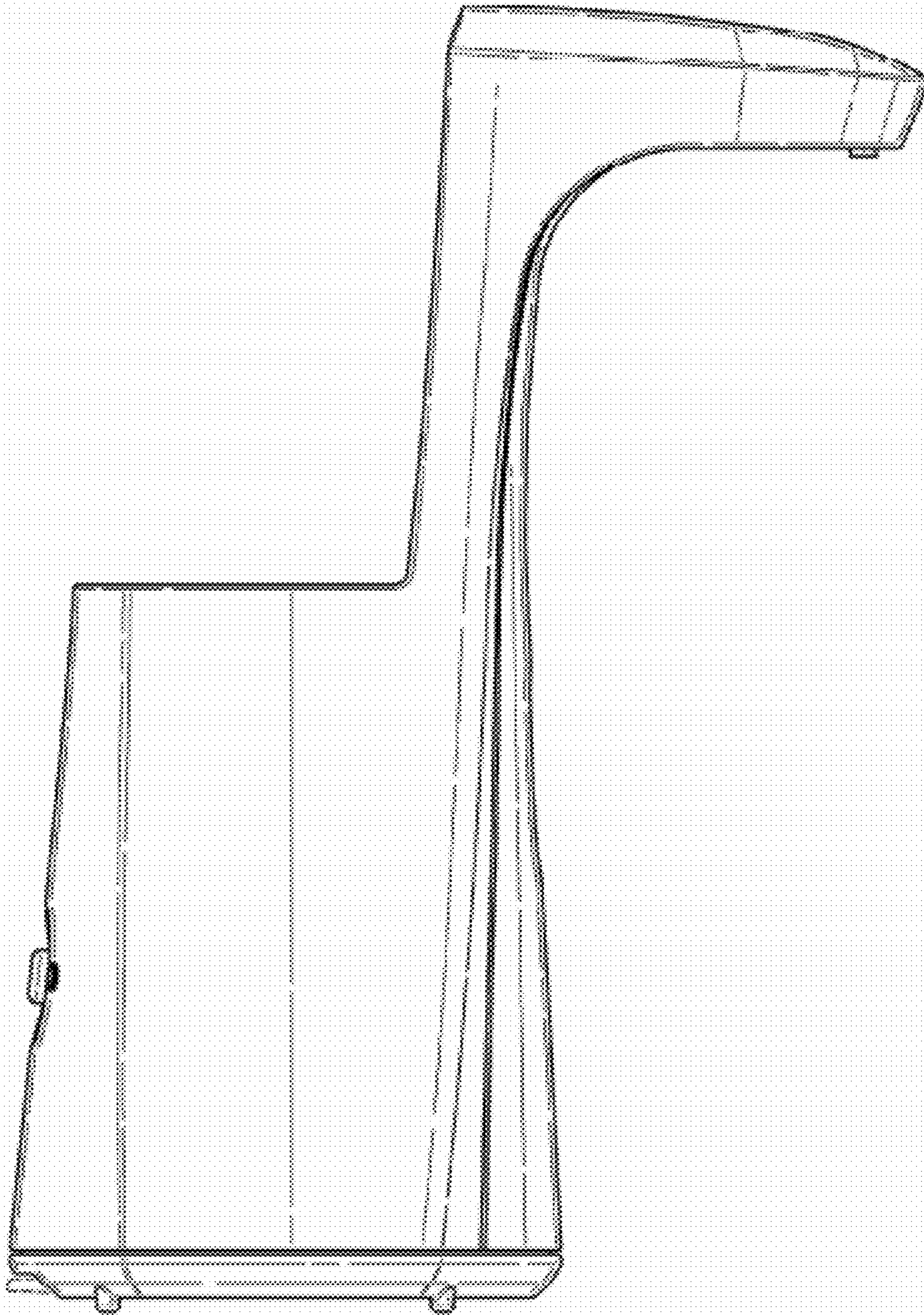


Fig.4.

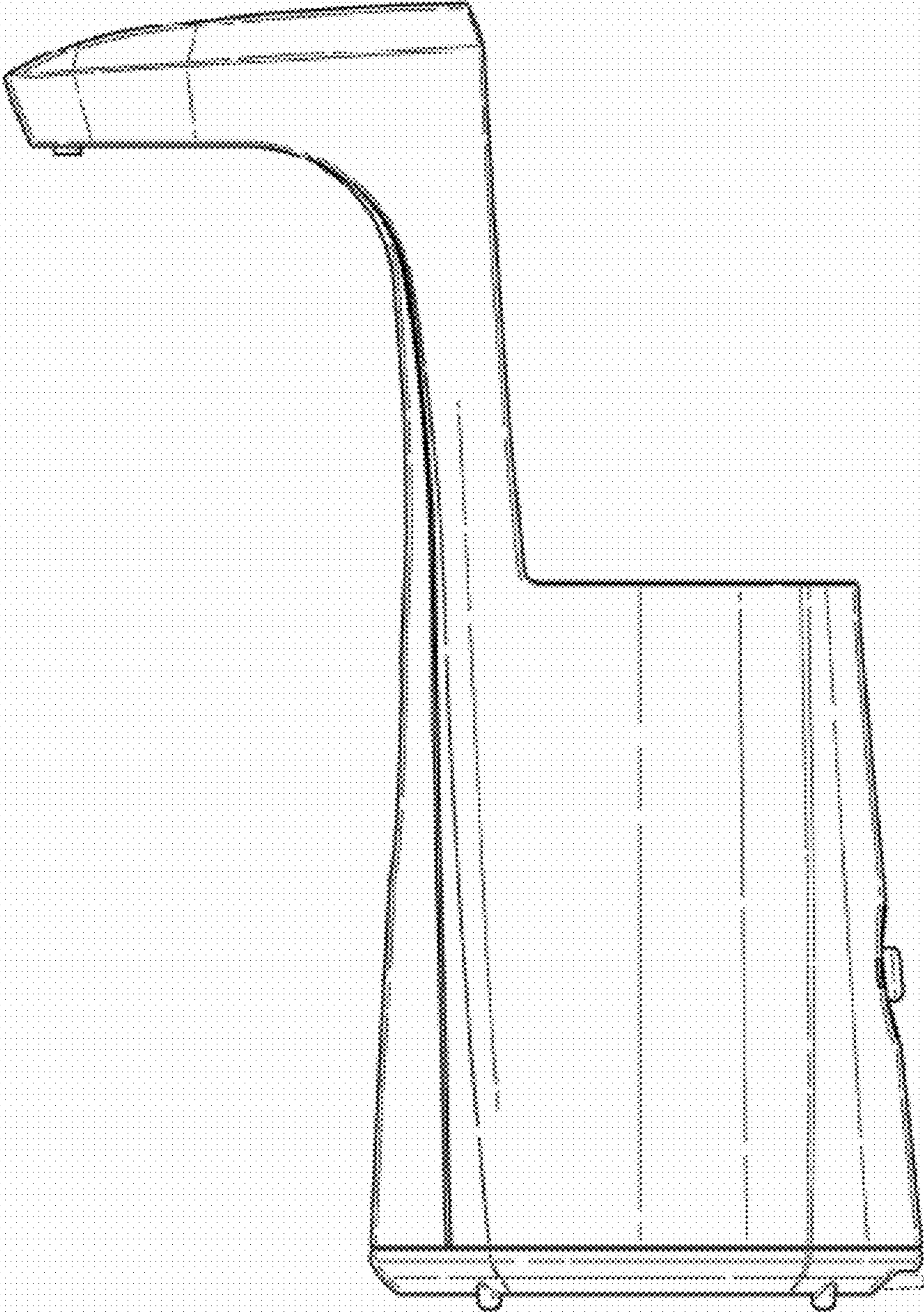


Fig. 5.

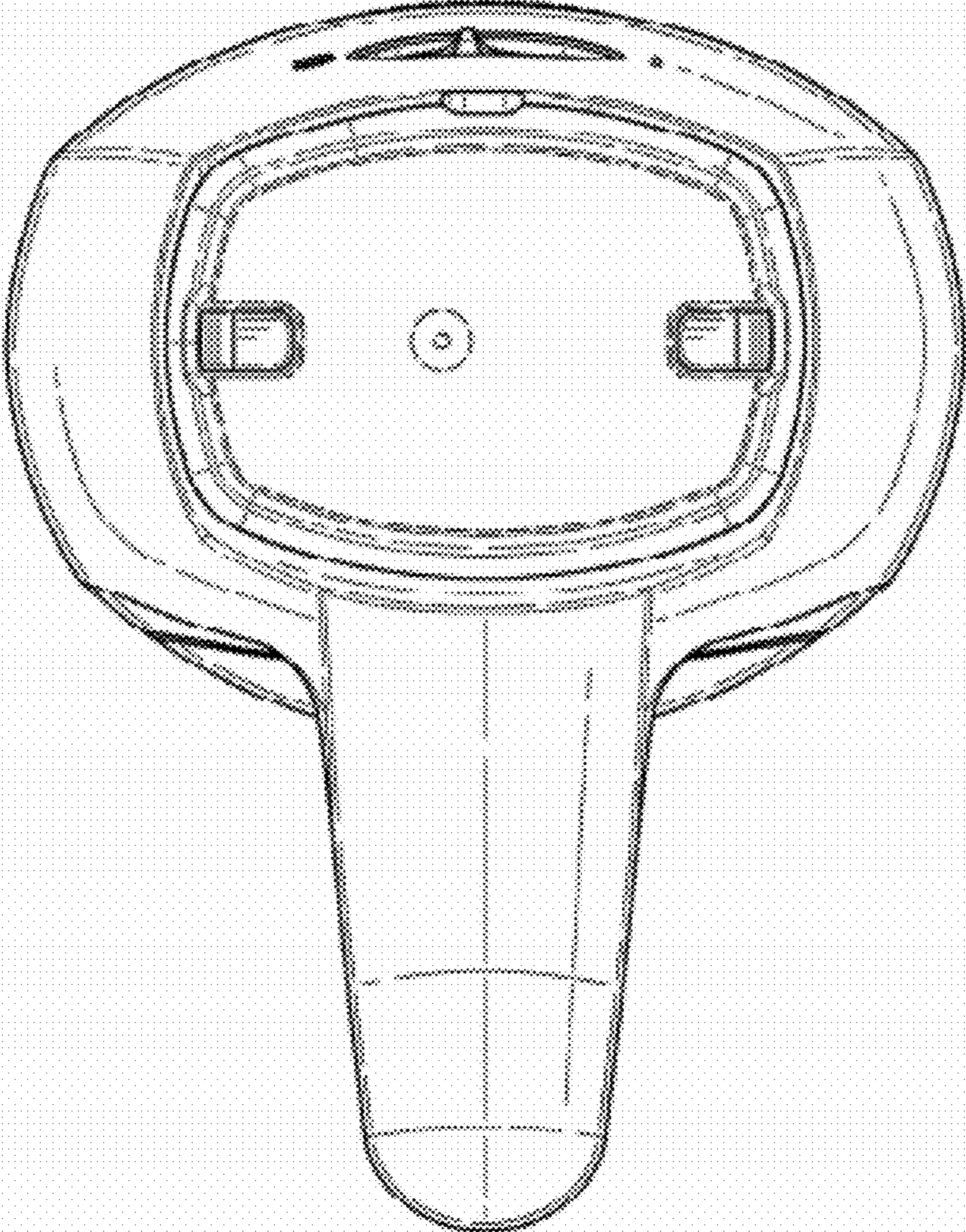


Fig.6.

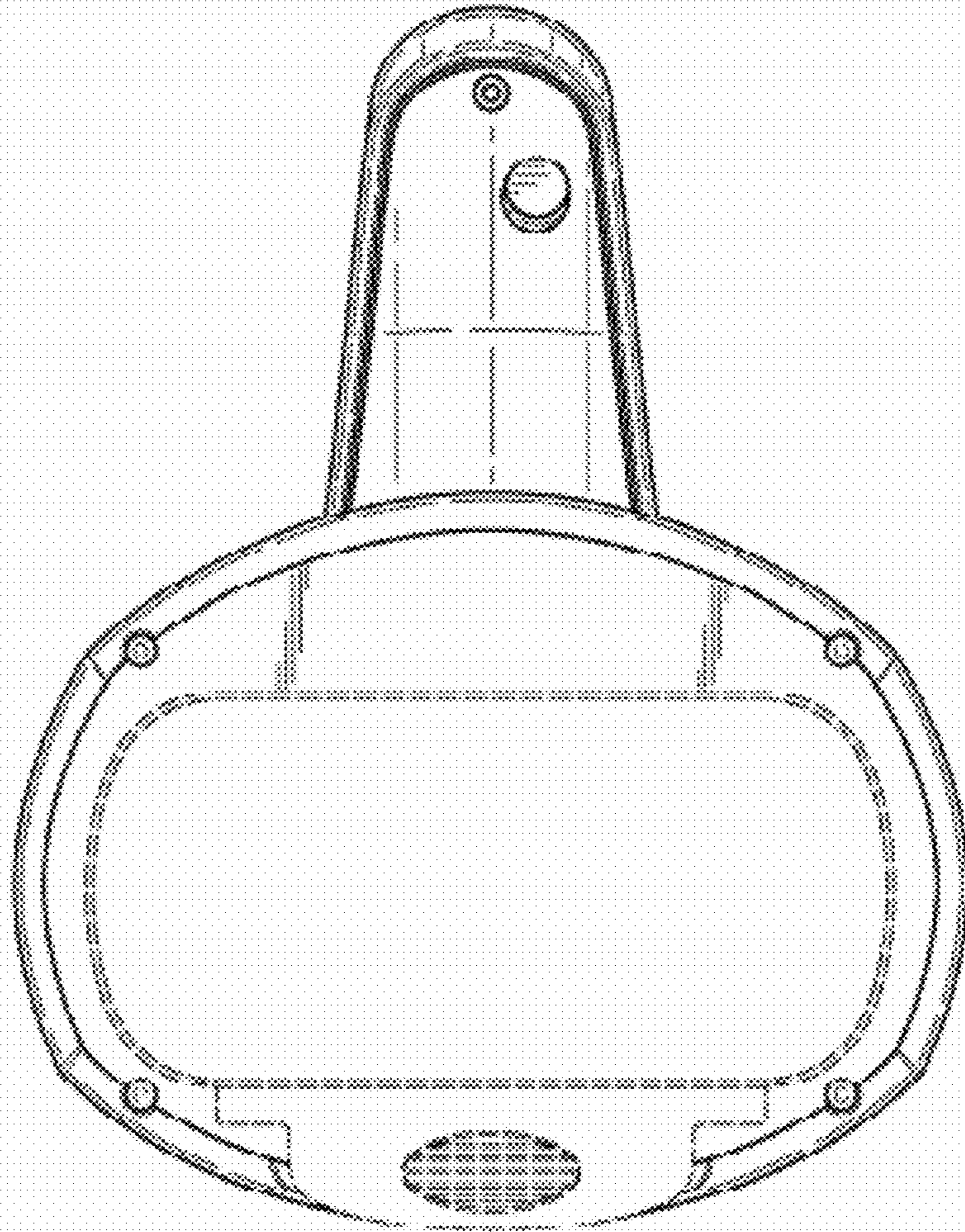


Fig. 7.