



US00D662739S

(12) **United States Design Patent**  
**Gilbert**

(10) **Patent No.:** **US D662,739 S**

(45) **Date of Patent:** **\*\* Jul. 3, 2012**

(54) **SHOWER CADDY PORTION**

(75) **Inventor:** **Christopher Jon Gilbert**, Moreland Hills, OH (US)

(73) **Assignee:** **Moen Incorporated**, North Olmsted, OH (US)

(\*\*) **Term:** **14 Years**

(21) **Appl. No.:** **29/391,171**

(22) **Filed:** **May 4, 2011**

(51) **LOC (9) Cl.** ..... **23-02**

(52) **U.S. Cl.** ..... **D6/525**

(58) **Field of Classification Search** ..... D6/524,  
D6/525, 566, 536, 540; 211/13.1, 74, 71.01,  
211/86.01, 75, 88.01, 90.01, 90.03, 106,  
211/119, 126.1, 133.5, 181.1, 134

See application file for complete search history.

(56) **References Cited**

U.S. PATENT DOCUMENTS

D278,288 S	4/1985	Talocci et al.	
D392,484 S	3/1998	Yemini	
D404,948 S	2/1999	Yemini	
D413,467 S	9/1999	Patel et al.	
D443,162 S *	6/2001	Winter	D6/525
D470,978 S *	2/2003	Hoernig	D6/524
D475,560 S *	6/2003	Suero, Jr.	D6/525
D485,462 S *	1/2004	Suero, Jr.	D6/525
D493,991 S	8/2004	Dretzka	
D494,793 S	8/2004	Winkleman	
D494,794 S	8/2004	Winkleman	
D555,404 S	11/2007	Cohen	
D566,441 S	4/2008	Dretzka	

D573,387 S *	7/2008	Walker	D6/525
D595,076 S *	6/2009	Snider	D6/525
D635,807 S *	4/2011	Lindo	D6/525
D641,193 S *	7/2011	Vaccaro	D6/525
2007/0045208 A1	3/2007	Quan	
2008/0169254 A1	7/2008	Govrik	
2009/0188880 A1	7/2009	Yang et al.	

\* cited by examiner

*Primary Examiner* — Brian N Vinson

(74) *Attorney, Agent, or Firm* — Calfee, Halter & Griswold LLP

(57) **CLAIM**

The ornamental design for a shower caddy portion, as shown and described.

**DESCRIPTION**

FIG. 1 is a perspective view of a shower caddy portion of the new design;

FIG. 2 is another perspective view of the shower caddy portion of the new design;

FIG. 3 is a front elevational view of the shower caddy portion of the new design;

FIG. 4 is a rear elevational view of the shower caddy portion of the new design;

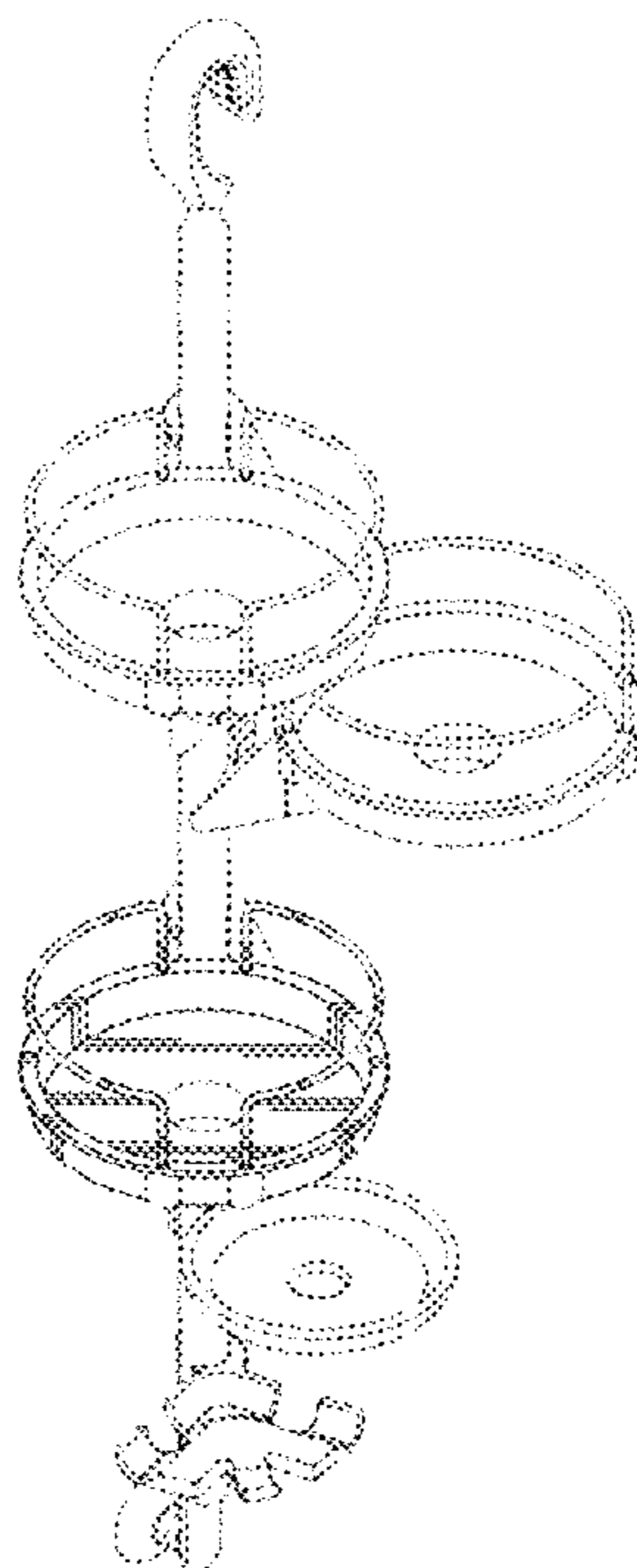
FIG. 5 is a left side elevational view of the shower caddy portion of the new design;

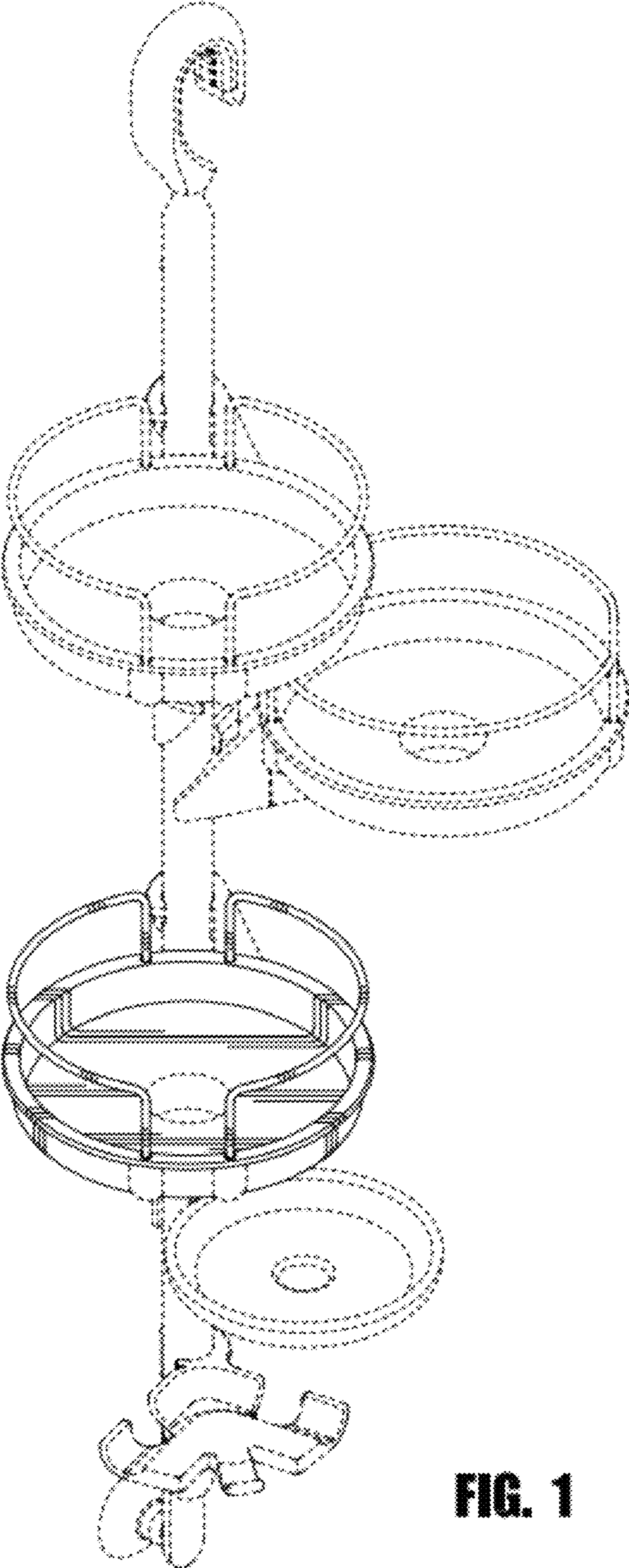
FIG. 6 is a right side elevational view of the shower caddy portion of the new design; and,

FIG. 7 is a top plan view of the shower caddy portion of the new design.

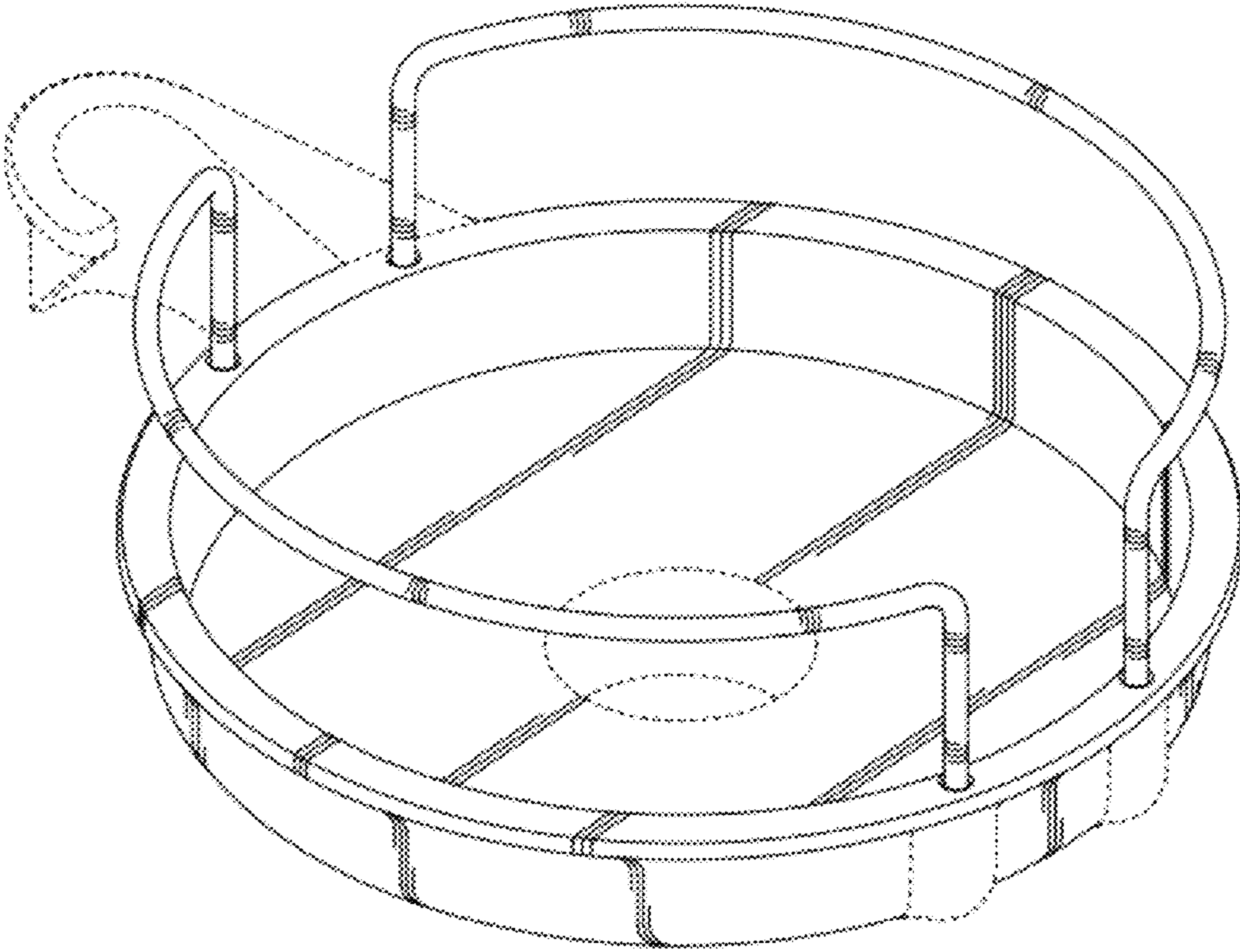
The portions of the Figures shown in broken lines are not part of the claimed design and are for illustration only.

**1 Claim, 5 Drawing Sheets**

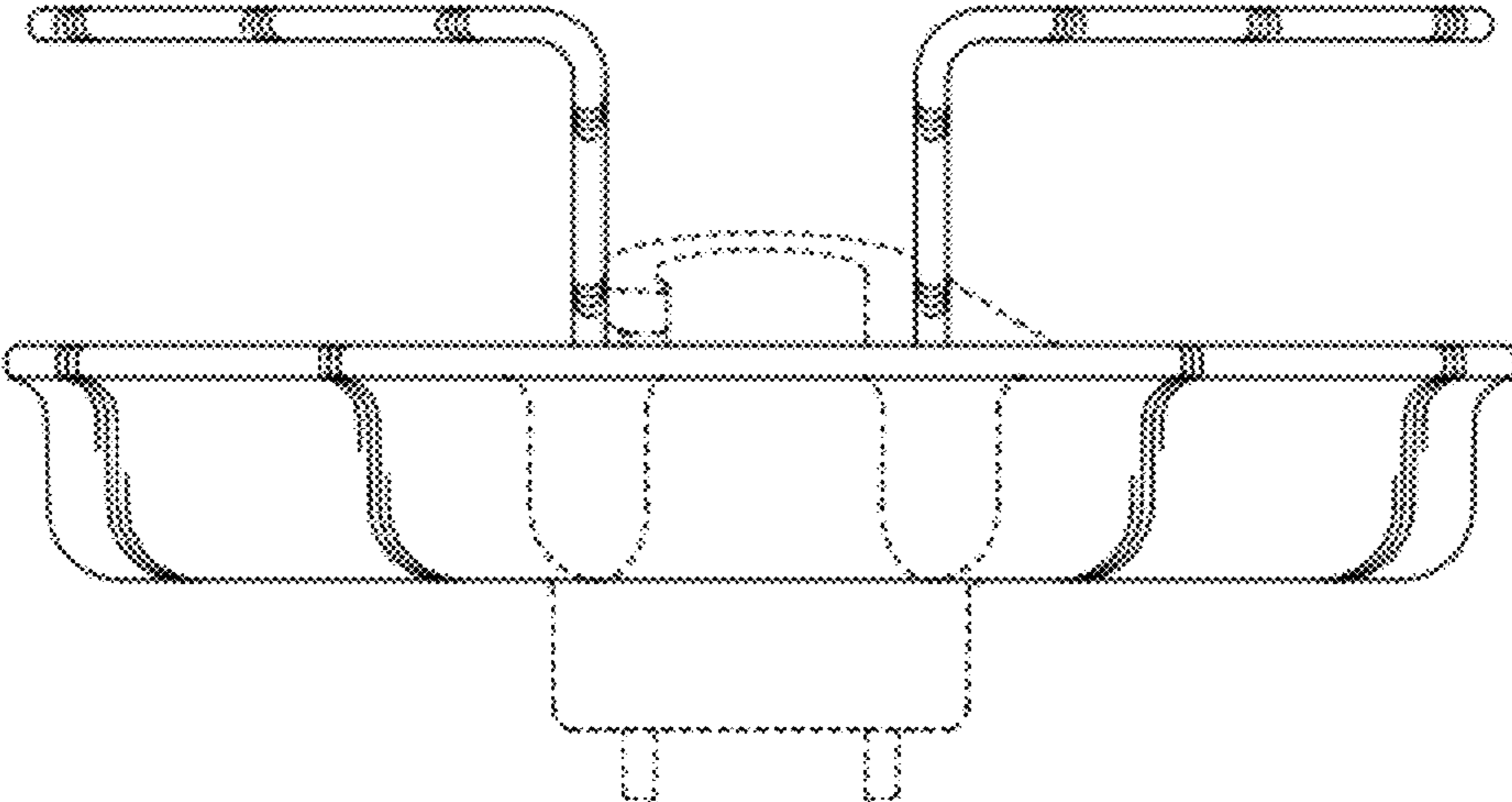




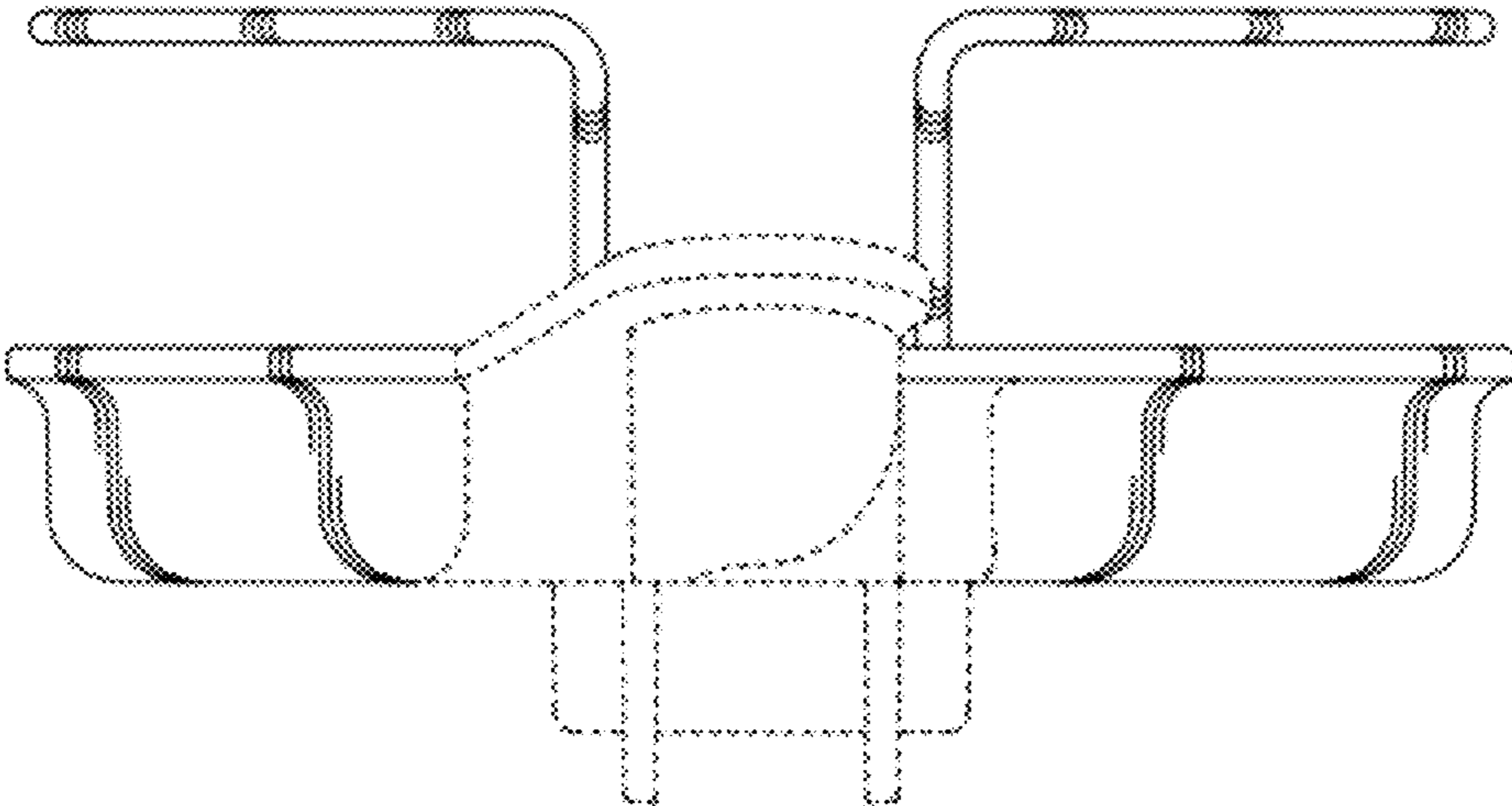
**FIG. 1**



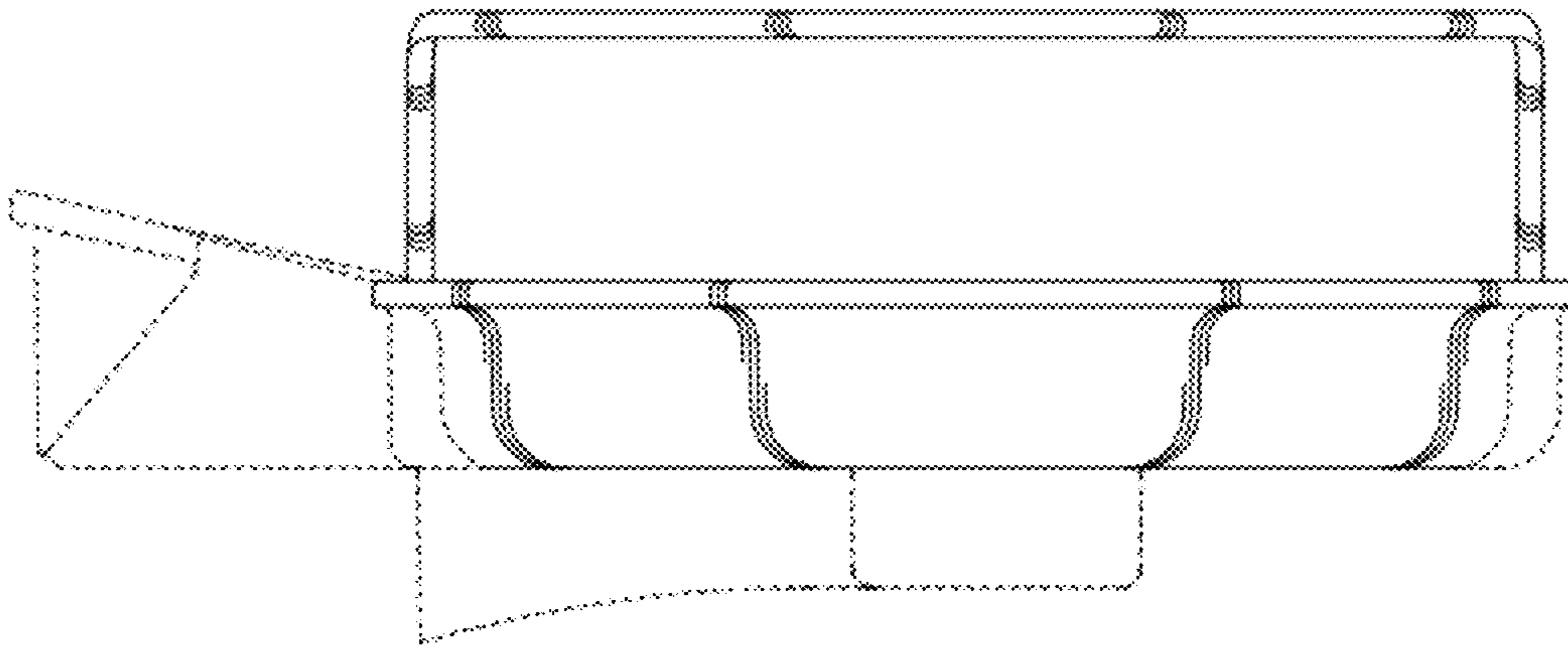
**FIG. 2**



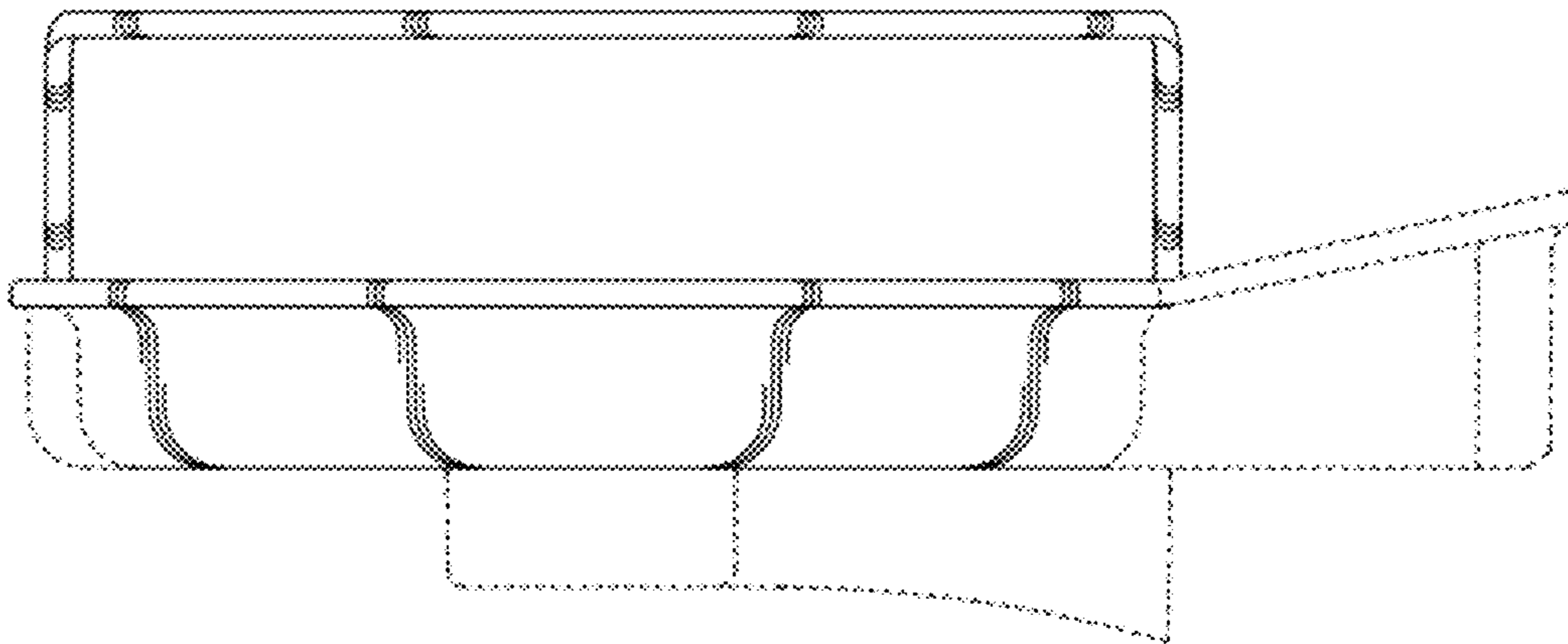
**FIG. 3**



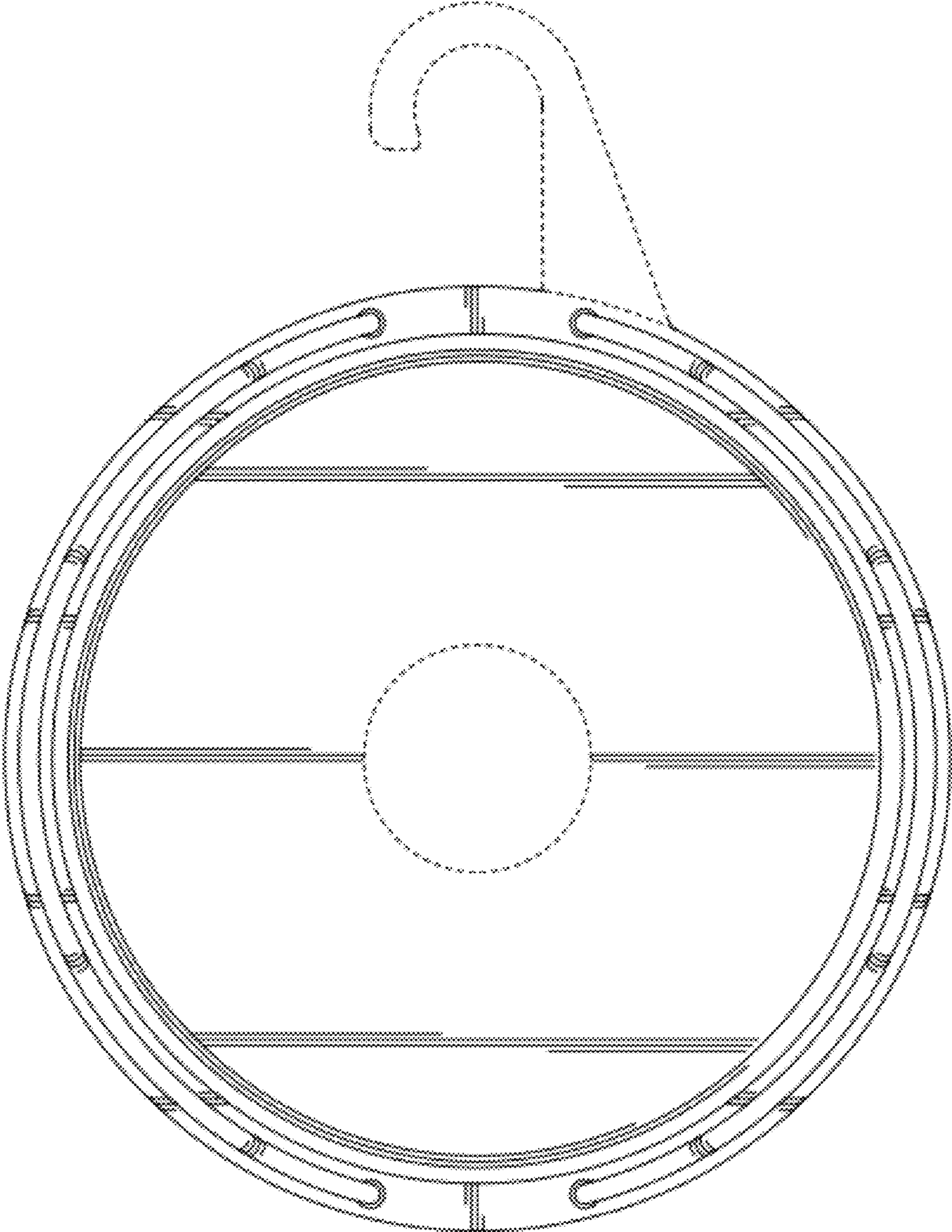
**FIG. 4**



**FIG. 5**



**FIG. 6**



**FIG. 7**