

US00D662737S

(12) **United States Design Patent**  
**Yu**

(10) **Patent No.:** **US D662,737 S**  
(45) **Date of Patent:** **\*\* Jul. 3, 2012**

(54) **SUPPORT FRAME FOR A CHILDREN'S PRODUCT**

(75) Inventor: **Chalin Yu**, Williamsville, NY (US)

(73) Assignee: **Mattel, Inc.**, El Segundo, CA (US)

(\*\*) Term: **14 Years**

(21) Appl. No.: **29/376,473**

(22) Filed: **Oct. 7, 2010**

(51) **LOC (9) Cl.** ..... **06-01**

(52) **U.S. Cl.** ..... **D6/500; D6/347**

(58) **Field of Classification Search** ..... D6/333,  
D6/334, 335, 336, 344, 347, 499, 500-502;  
D21/823; 297/250.1, 273, 274, 277; 472/118,  
472/119

See application file for complete search history.

(56) **References Cited**

**U.S. PATENT DOCUMENTS**

3,528,657 A *	9/1970	Krupsky	.....	472/118
D456,189 S *	4/2002	Flannery et al.	.....	D6/500
7,252,594 B2 *	8/2007	Armbruster et al.	.....	472/119

\* cited by examiner

*Primary Examiner* — Mimosa De

(74) *Attorney, Agent, or Firm* — Edell, Shapiro & Finnan, LLC

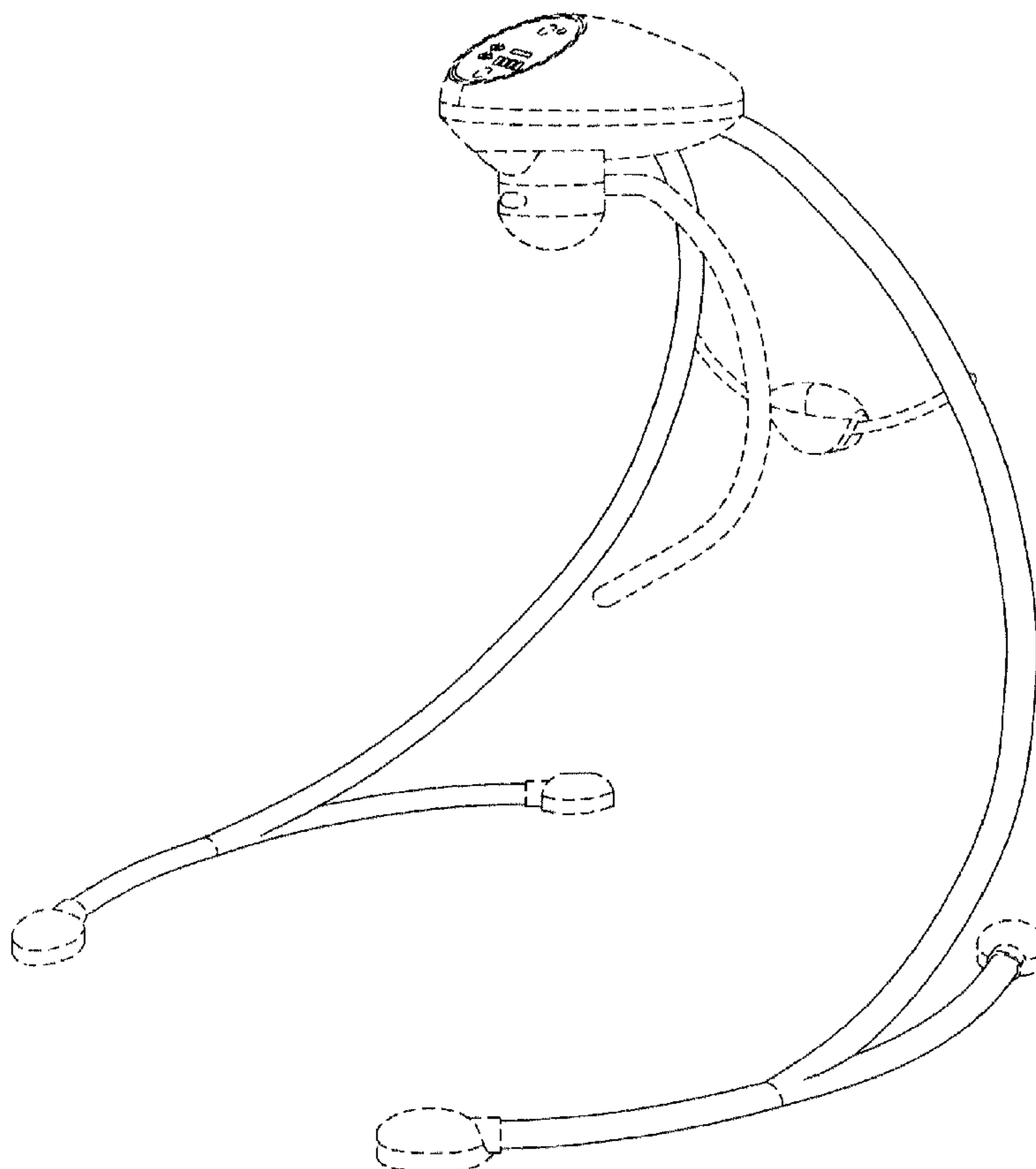
(57) **CLAIM**

The ornamental design for a support frame for a children's product, as shown and described.

**DESCRIPTION**

FIG. 1 is a front perspective view of a support frame for a children's product according to the present invention;  
 FIG. 2 is front view of the support frame for a children's product of FIG. 1;  
 FIG. 3 is a rear view of the support frame for a children's product of FIG. 1;  
 FIG. 4 is a top view of the support frame for a children's product of FIG. 1;  
 FIG. 5 is a bottom view of the support frame for a children's product of FIG. 1;  
 FIG. 6 is a right side view of the support frame for a children's product of FIG. 1; and,  
 FIG. 7 is a left side view of the support frame for a children's product of FIG. 1.  
 The portions shown in phantom are for illustrative purposes only and form no part of the claimed design.

**1 Claim, 4 Drawing Sheets**



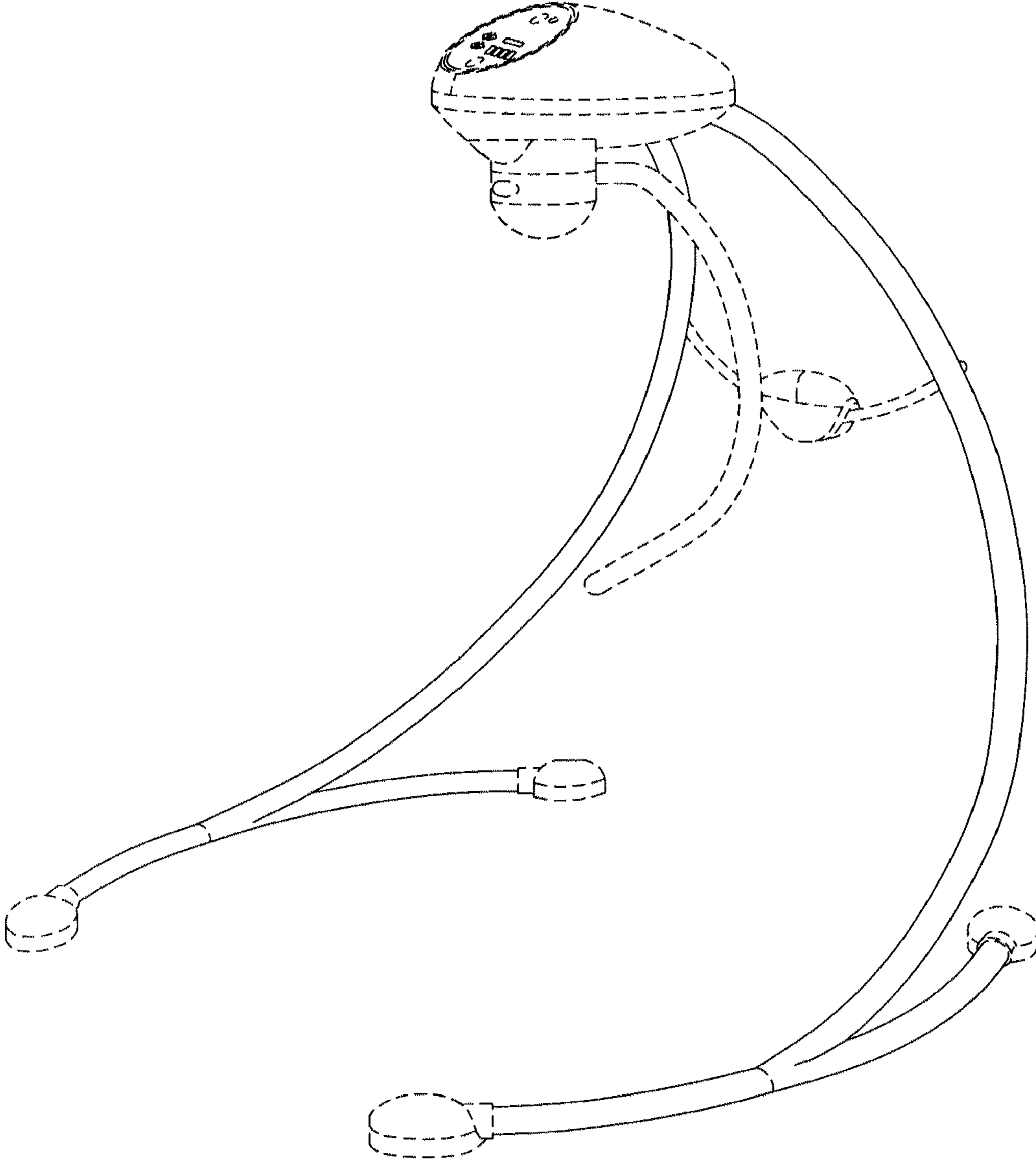


FIG.1

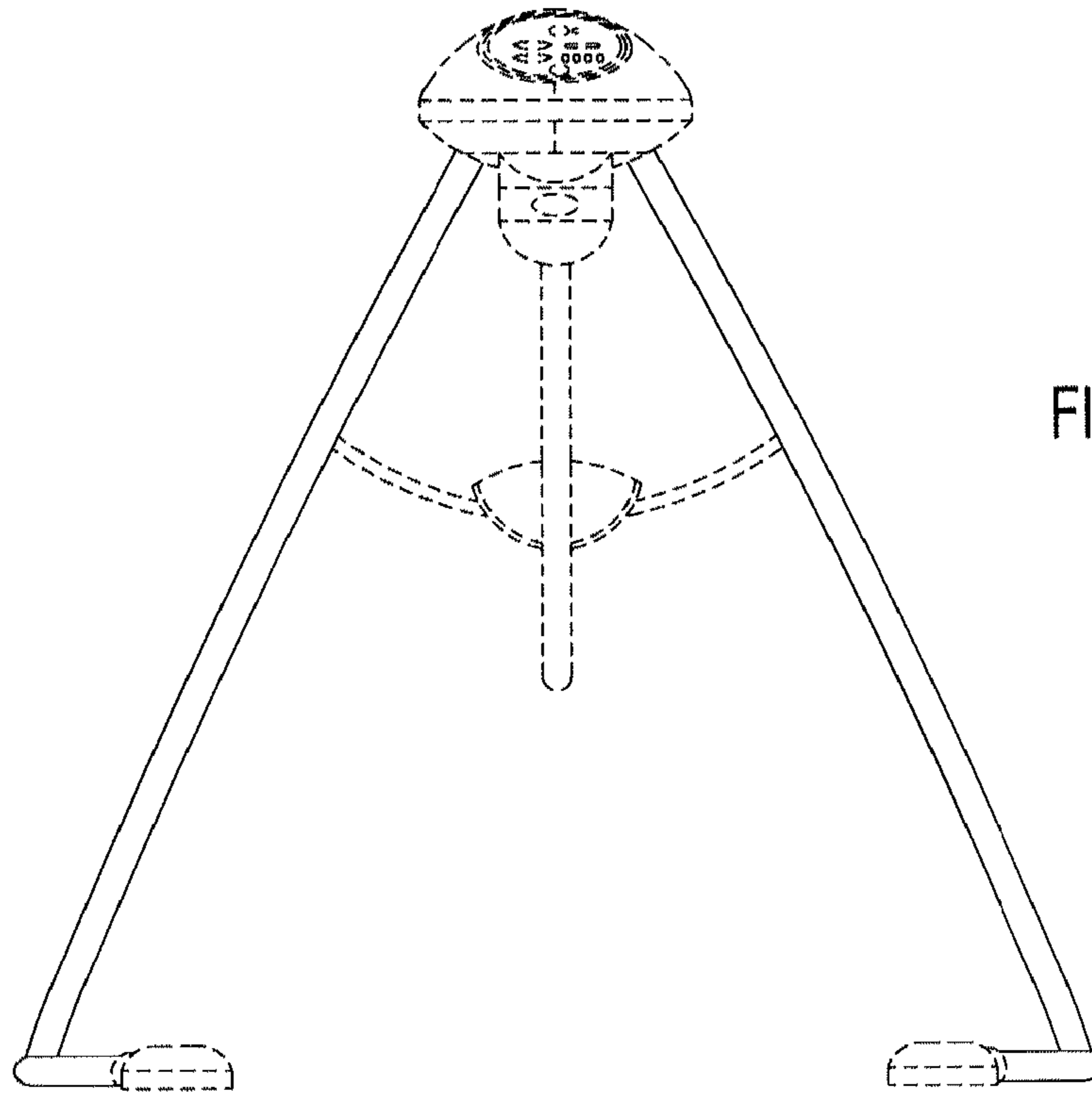


FIG.2

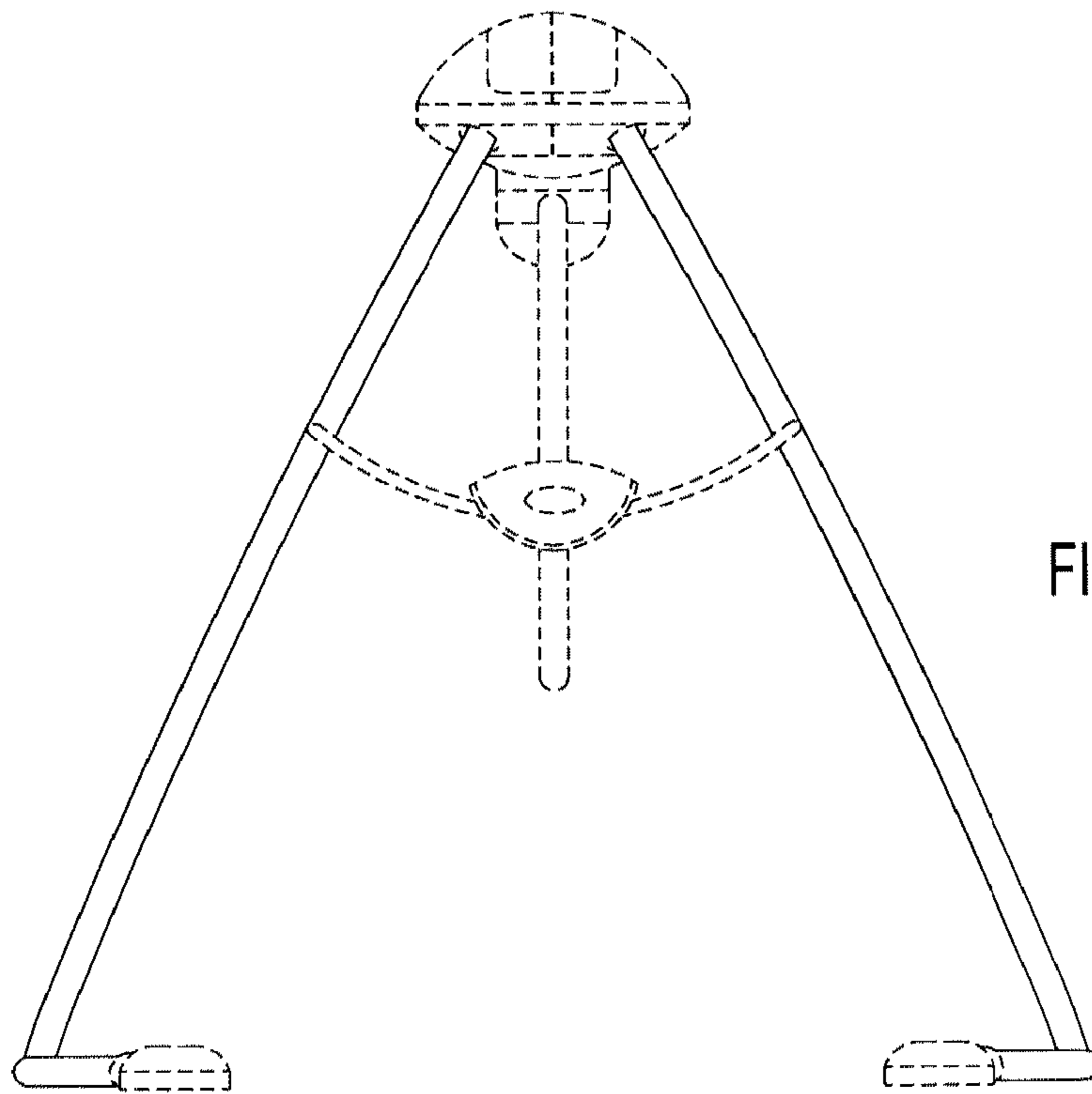


FIG.3

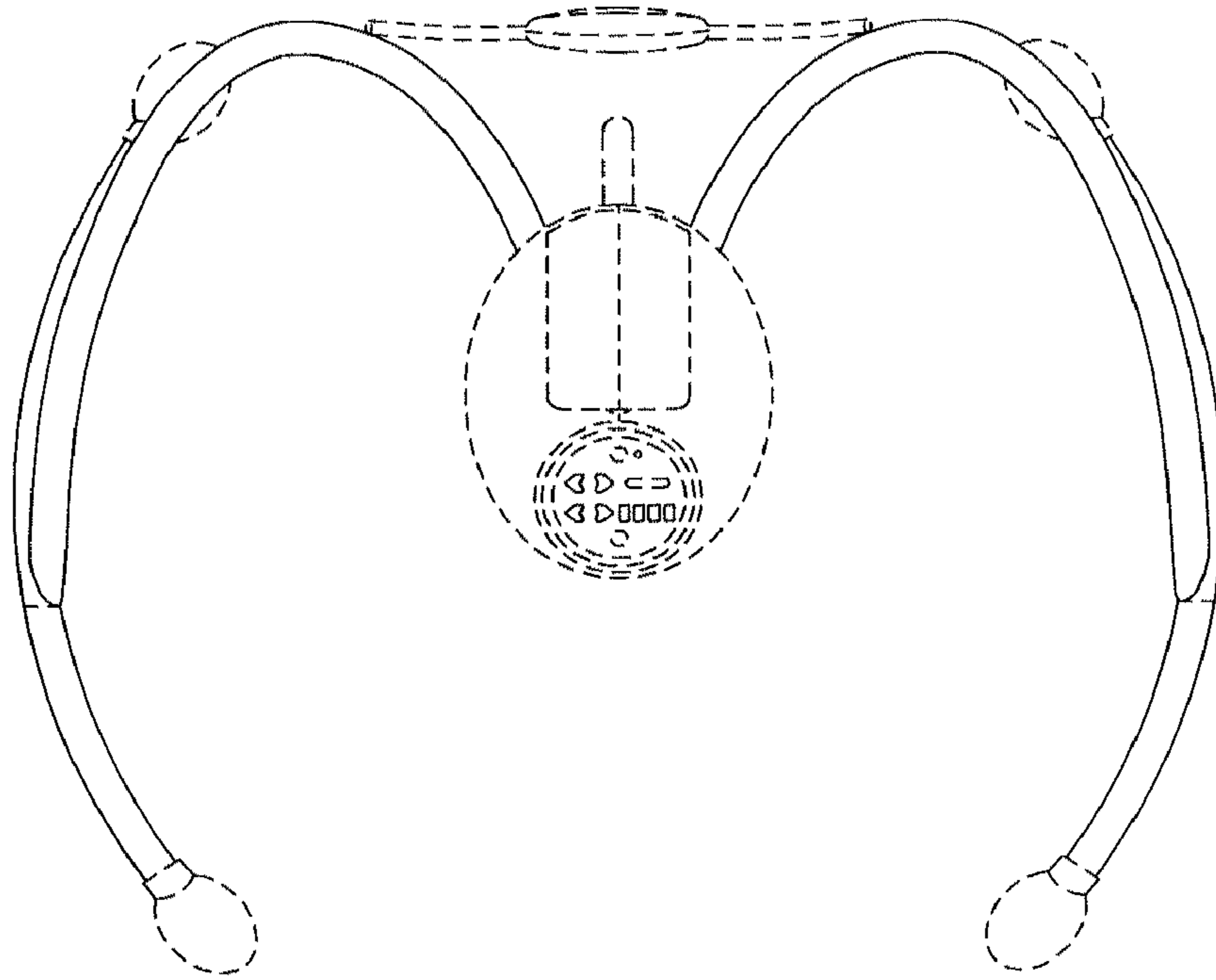


FIG.4

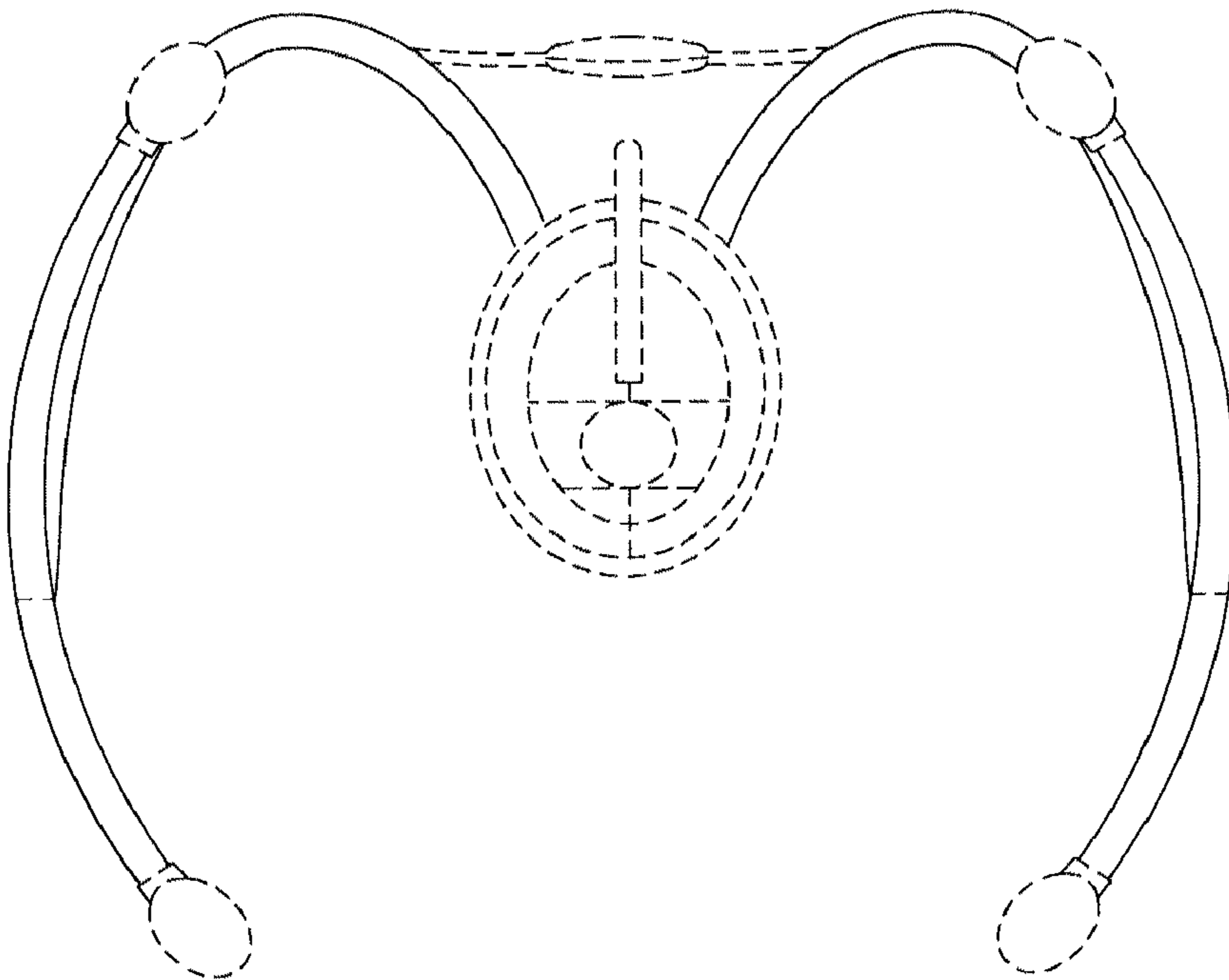


FIG.5

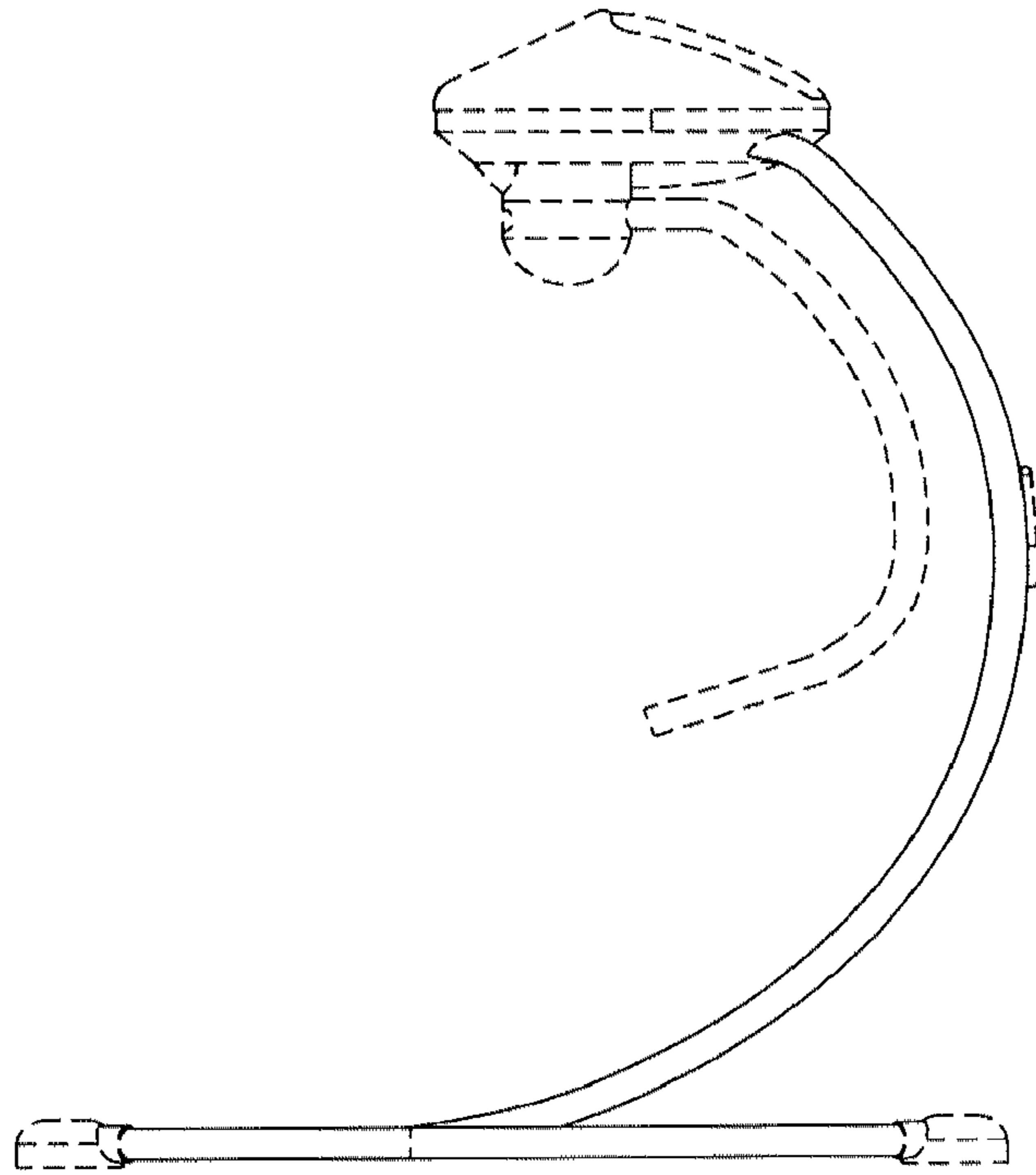


FIG. 6

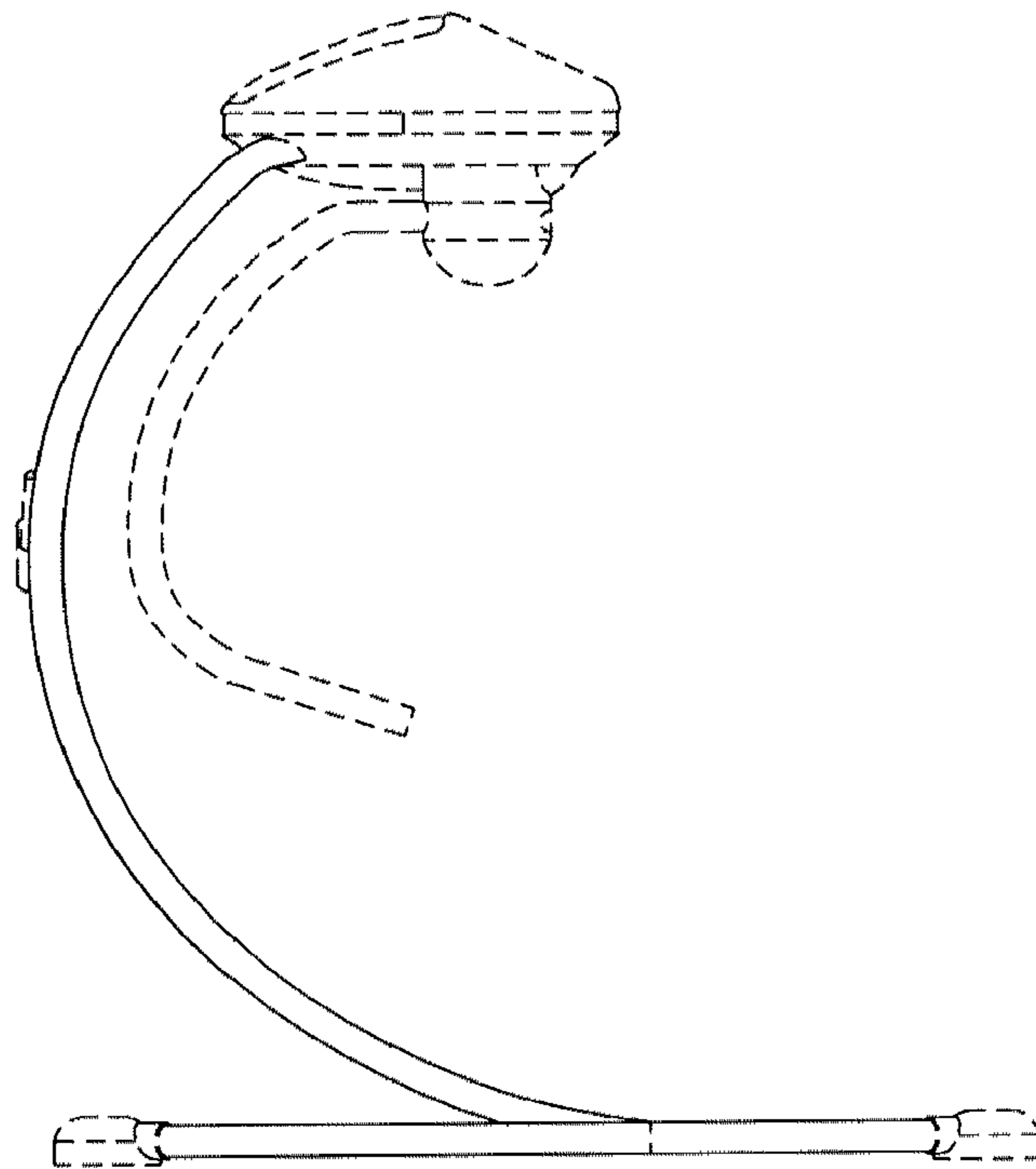


FIG. 7