



US00D662736S

(12) **United States Design Patent**
Peery et al.

(10) **Patent No.:** **US D662,736 S**
(45) **Date of Patent:** **** Jul. 3, 2012**

(54) **TABLE LEG**

(75) Inventors: **Wendell Peery**, Kaysville, UT (US);
Frank Clegg, Fruit Heights, UT (US)

(73) Assignee: **Lifetime Products, Inc.**, Clearfield, UT (US)

(**) Term: **14 Years**

(21) Appl. No.: **29/403,314**

(22) Filed: **Oct. 4, 2011**

(51) **LOC (9) Cl.** **06-06**

(52) **U.S. Cl.** **D6/499**

(58) **Field of Classification Search** D6/480-489,
D6/495-499, 429, 511; 108/150, 153.1,
108/156, 157.1, 161, 115, 124, 125, 129,
108/132

See application file for complete search history.

(56) **References Cited**

U.S. PATENT DOCUMENTS

5,623,882	A *	4/1997	Price	108/129
D414,626	S *	10/1999	Collins et al.	D6/429
D419,332	S	1/2000	Collins et al.	
6,109,687	A	8/2000	Nye et al.	
6,112,674	A	9/2000	Stanford	
D442,788	S	5/2001	Nye et al.	
6,347,831	B1	2/2002	Nye et al.	
D469,271	S *	1/2003	Avrahami	D6/429
6,508,184	B1	1/2003	Winter et al.	
D469,981	S *	2/2003	Buono	D6/429
D469,994	S	2/2003	Smith	
D470,692	S	2/2003	Strong et al.	
D470,693	S	2/2003	Strong et al.	
D470,694	S	2/2003	Strong et al.	
D471,040	S	3/2003	Strong et al.	

D476,823	S *	7/2003	Jackson	D6/429
D479,778	S	9/2003	Haney et al.	
6,615,743	B2 *	9/2003	Nien	108/132
D487,855	S *	3/2004	Nye et al.	D6/499
D489,557	S	5/2004	Strong et al.	
D489,922	S	5/2004	Choi et al.	
D494,784	S	8/2004	Strong	
D498,091	S	11/2004	Winter et al.	
D498,952	S	11/2004	Strong et al.	
D498,953	S	11/2004	Strong	
D501,103	S	1/2005	Ashby et al.	
D502,028	S	2/2005	Ashby et al.	

(Continued)

OTHER PUBLICATIONS

U.S. Appl. No. 29/403,316, filed Oct. 4, 2011, Clegg et al.

Primary Examiner — Janice Seeger

(74) *Attorney, Agent, or Firm* — Maschoff Gilmore & Israelsen

(57) **CLAIM**

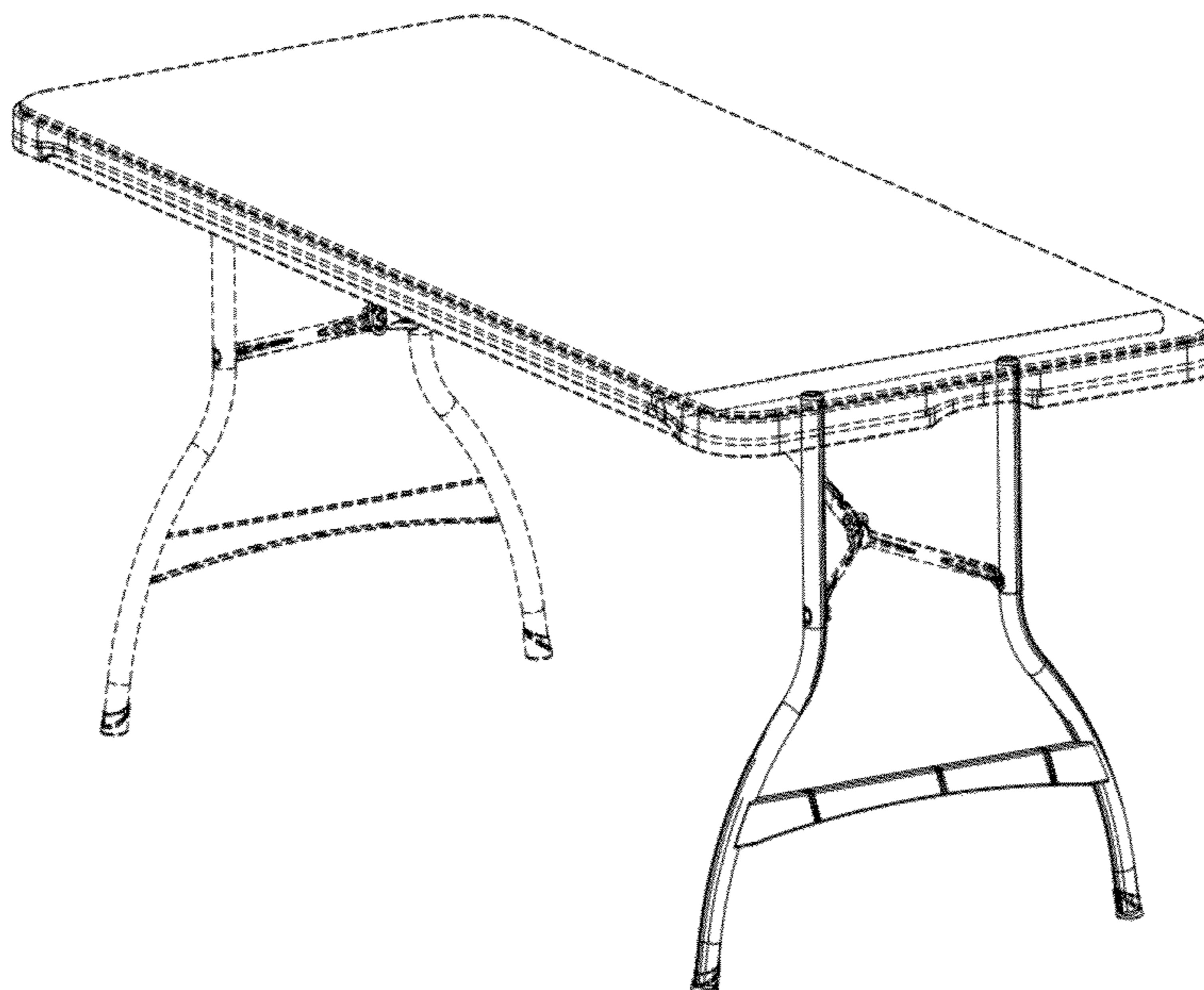
The ornamental design for a table leg, as shown and described.

DESCRIPTION

FIG. 1 is an upper perspective view of an exemplary table leg; FIG. 2 is another upper perspective view of the table leg; FIG. 3 is a top view of the table leg; FIG. 4 is a left side view of the table leg; FIG. 5 is a front view of the table leg; FIG. 6 is a right side view of the table leg; FIG. 7 is a bottom view of the table leg; and, FIG. 8 is a rear view of the table leg.

The broken lines shown in the figures are for illustrative purposes only and form no part of the claimed design.

1 Claim, 4 Drawing Sheets



US D662,736 S

Page 2

U.S. PATENT DOCUMENTS						
			7,373,889	B2	5/2008	Nye et al.
6,848,370	B1	2/2005	Stanford			
D511,259	S	11/2005	Winter		12/2008	Jin et al.
D511,913	S	11/2005	Kearl et al.		12/2008	Stanford
D513,140	S	12/2005	Strong		12/2008	Baik et al.
6,971,321	B1	12/2005	Strong et al.		1/2009	Jin
D515,852	S	2/2006	Strong		1/2009	Strong et al.
D515,853	S	2/2006	Ashby		1/2010	Strong et al.
D517,355	S	3/2006	Strong		4/2010	Larcom et al.
7,036,437	B2	5/2006	Ashby et al.		5/2010	Winter et al.
7,063,025	B2	6/2006	Ashby et al.		5/2010	Larcom et al.
D525,810	S	8/2006	Ashby		7/2010	Branch
7,096,799	B2	8/2006	Strong et al.		7/2010	Larcom et al.
D527,930	S	9/2006	Aslle et al.		10/2010	Haney et al.
7,100,518	B2	9/2006	Strong		3/2011	Peery et al.
D529,734	S	10/2006	Astle et al.		7/2011	Larsen et al.
7,143,702	B2	12/2006	Stanford		7/2011	Topham et al.
7,178,468	B2	2/2007	Winter et al.		10/2011	Larcom et al.
7,278,361	B2	10/2007	Zhurong et al.		1/2012	Branch et al.
7,299,755	B2 *	11/2007	Stanford	2004/0094076	5/2004	Jin 108/132
			108/132			

* cited by examiner

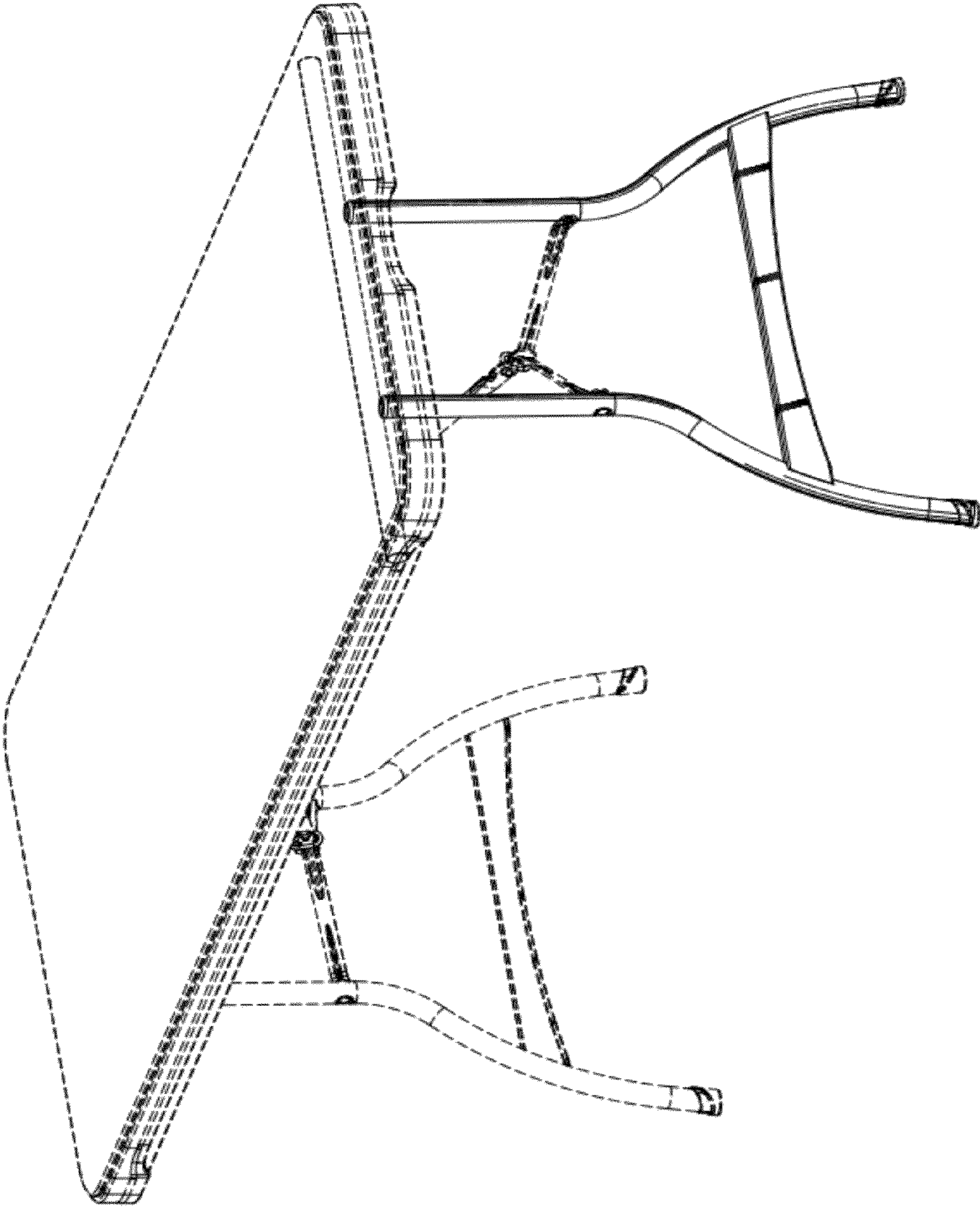


Fig. 1

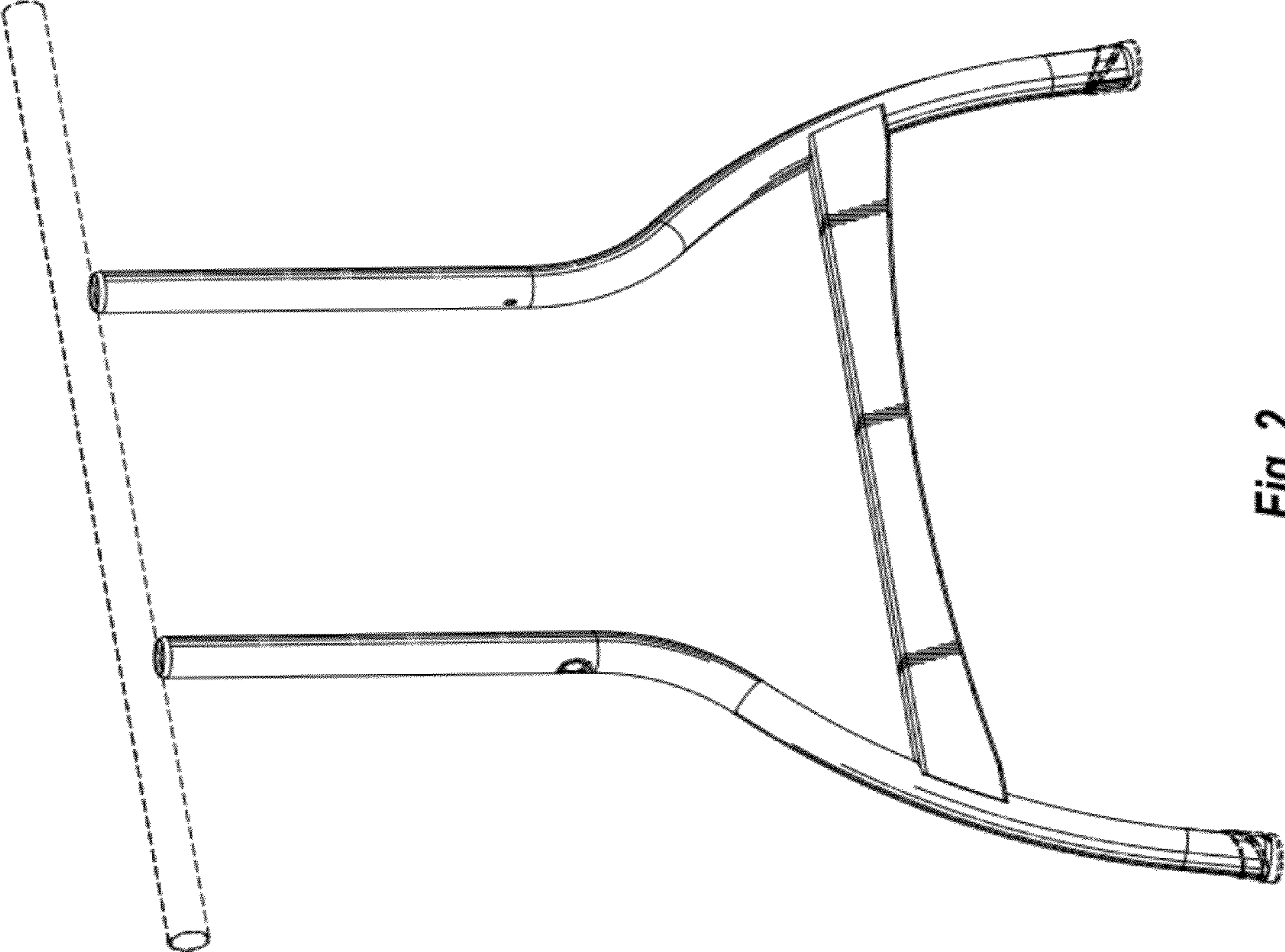


Fig. 2

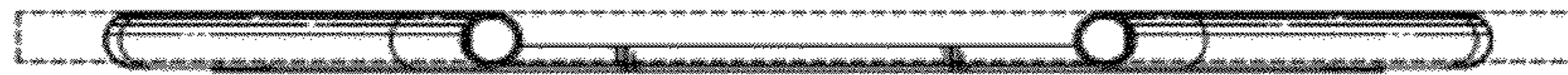


Fig. 3



Fig. 4

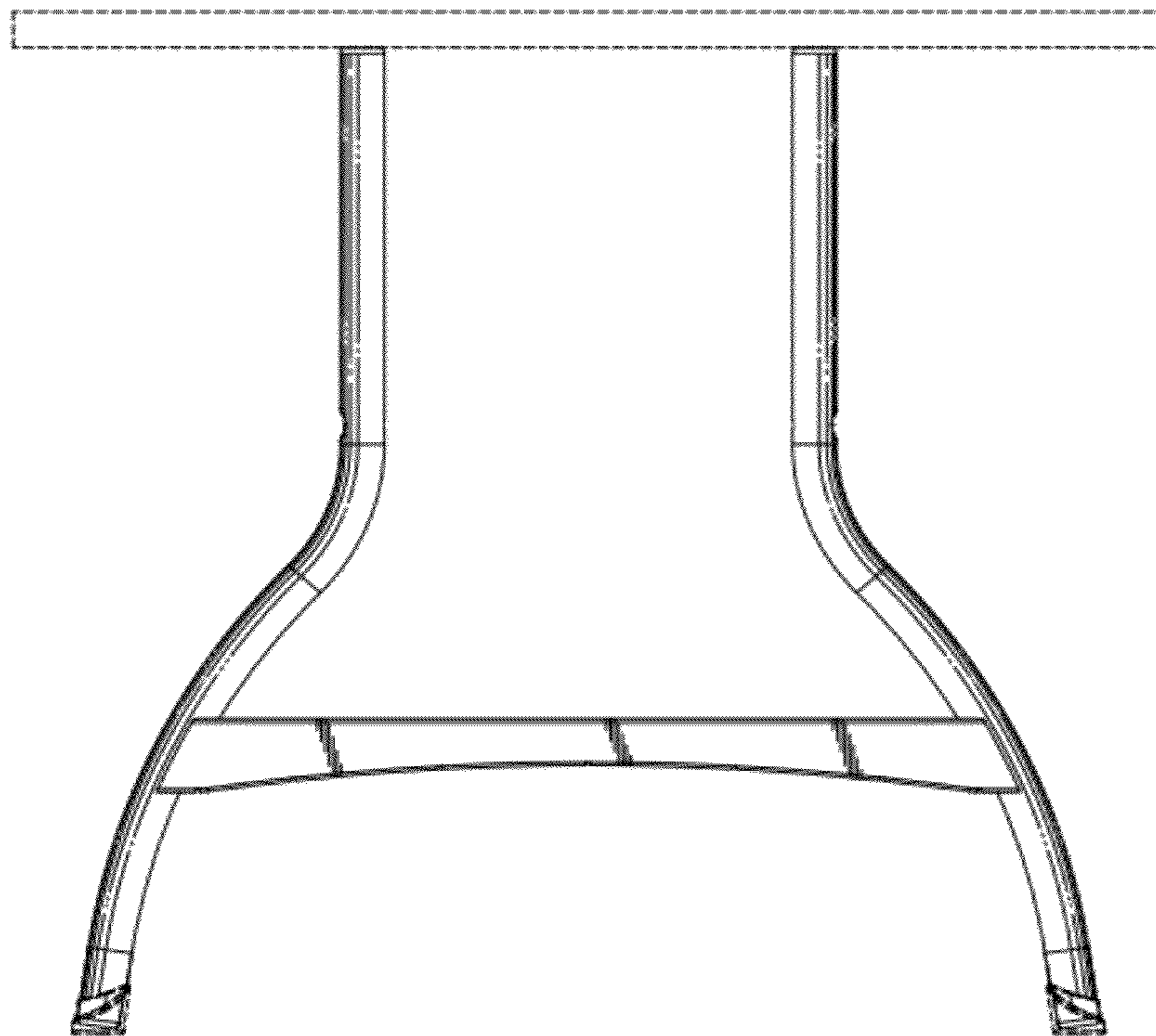


Fig. 5



Fig. 6



Fig. 7

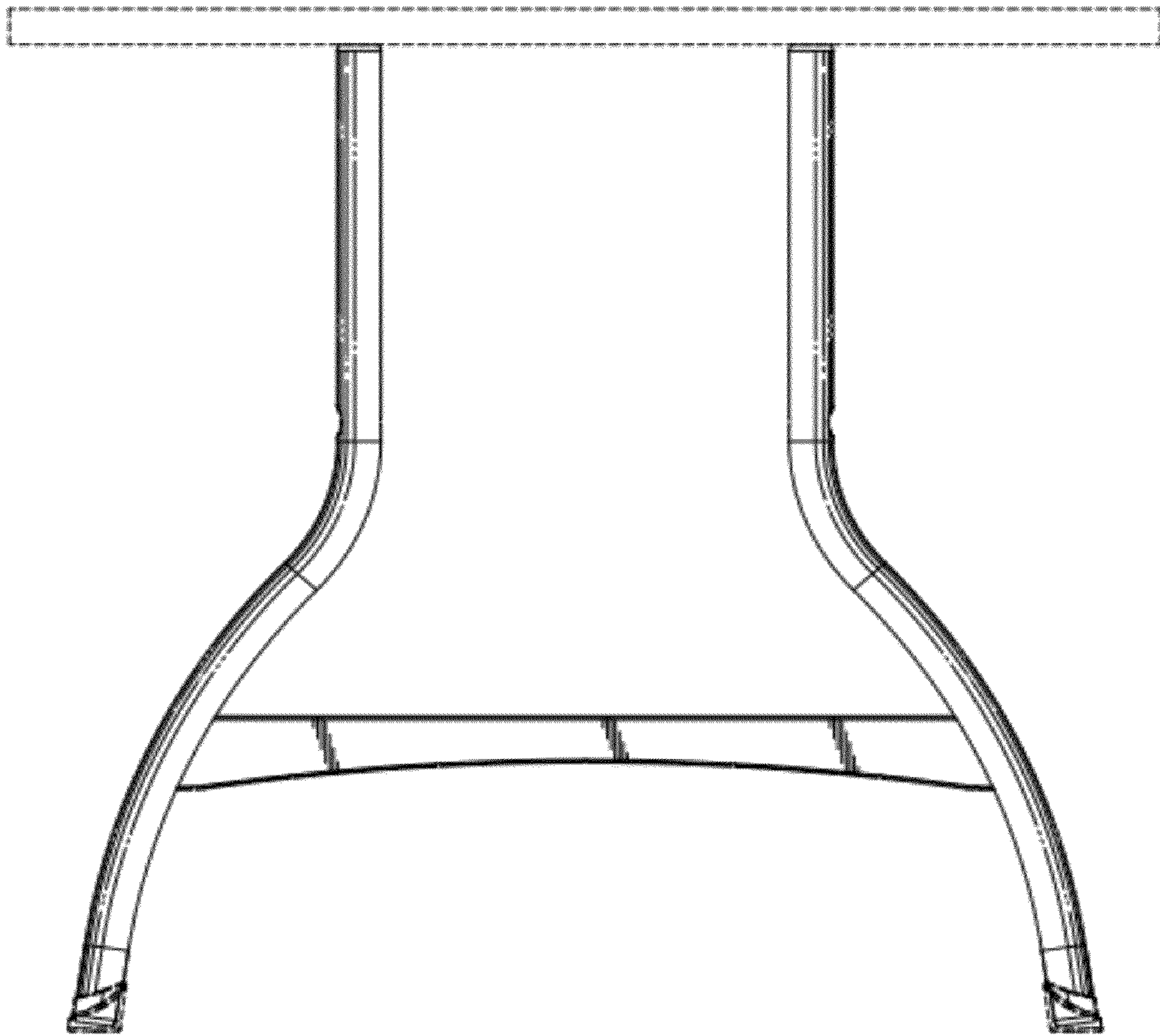


Fig. 8