



US00D662735S

(12) **United States Design Patent**
Polidoros

(10) **Patent No.:** **US D662,735 S**
(45) **Date of Patent:** **** Jul. 3, 2012**

- (54) **TABLE BASE**
- (76) Inventor: **Nicholas Polidoros**, Mitcham Victoria (AU)
- (**) Term: **14 Years**
- (21) Appl. No.: **29/386,822**
- (22) Filed: **Mar. 4, 2011**

| | | |
|----|-------------|--------|
| GB | 766 898 | 1/1957 |
| GB | 1 356 191 | 6/1974 |
| GB | 2 316 605 | 3/1998 |
| WO | wo 81/01321 | 5/1981 |

OTHER PUBLICATIONS

European Search Report dated Jul. 5, 2010 for Application No. EP 10 15 7763.
 International Search Report dated Jun. 2, 2007 for Application No. PCT/AU2007/000589.
 Written Opinion dated Jun. 2, 2007 for Application No. PCT/AU2007/000589.

Related U.S. Application Data

- (63) Continuation of application No. 12/377,096, filed as application No. PCT/AU2007/000589 on May 4, 2007.
- (51) **LOC (9) Cl.** **06-06**
- (52) **U.S. Cl.** **D6/499**
- (58) **Field of Classification Search** D6/480-489, D6/429-431, 495-499; 108/150, 153.1, 108/155, 156, 157, 161, 115, 157.16, 157.17, 108/157.18, 118, 119, 160; 248/188, 188.1, 248/188.7, 188.8

See application file for complete search history.

* cited by examiner

Primary Examiner — Janice Seeger

(74) *Attorney, Agent, or Firm* — Frost Brown Todd LLC

CLAIM

(57) The ornamental design for a table base, as shown and described.

(56) **References Cited**

U.S. PATENT DOCUMENTS

| | | | | |
|--------------|------|---------|--------------|------------|
| 1,939,904 | A * | 12/1933 | Koopman | 108/157.18 |
| 2,010,342 | A * | 8/1935 | Woods | 108/157.18 |
| 3,312,355 | A * | 4/1967 | Steinmetz | 211/189 |
| 5,421,273 | A | 6/1995 | Lin | |
| D511,911 | S * | 11/2005 | Light et al. | D6/480 |
| 2010/0147200 | A1 * | 6/2010 | Polidoros | 108/157.16 |
| 2010/0269738 | A1 * | 10/2010 | Collins | 108/157.16 |

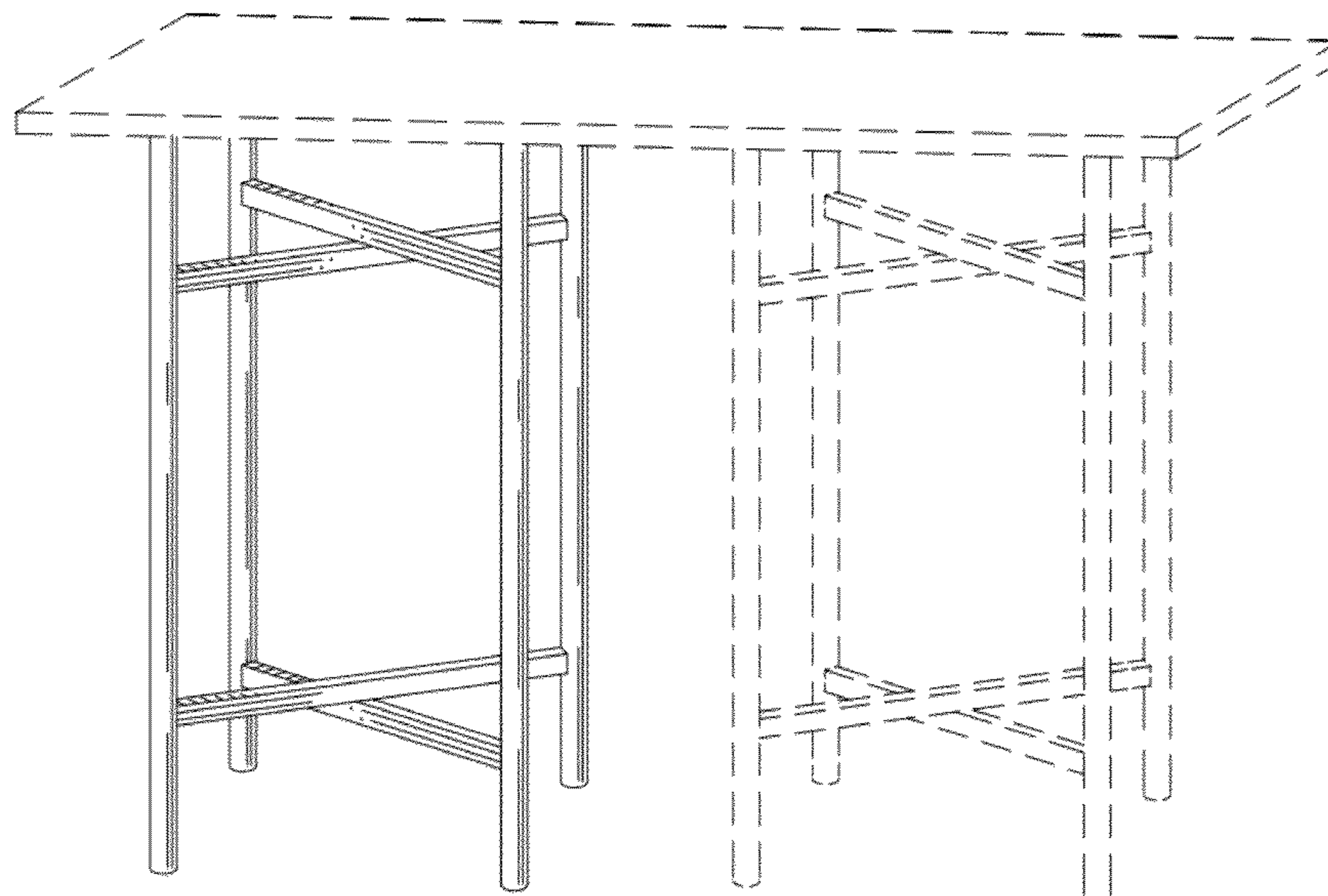
FOREIGN PATENT DOCUMENTS

| | | |
|----|-----------|---------|
| EP | 0 613 637 | 11/1993 |
| EP | 0 823 582 | 2/1998 |
| GB | 652 211 | 0/0419 |
| GB | 397 592 | 8/1933 |
| GB | 510 248 | 7/1939 |

DESCRIPTION

FIG. 1 is a perspective view of a table base, showing my new design;
 FIG. 2 is a perspective view showing the table base in an alternate environment;
 FIG. 3 is a perspective view of a table base, showing an alternate embodiment of my new design; and,
 FIG. 4 is perspective view showing the table base in a folded condition.
 Portions of the accompanying drawings that appear in phantom lines do not form part of the invention as claimed.

1 Claim, 4 Drawing Sheets



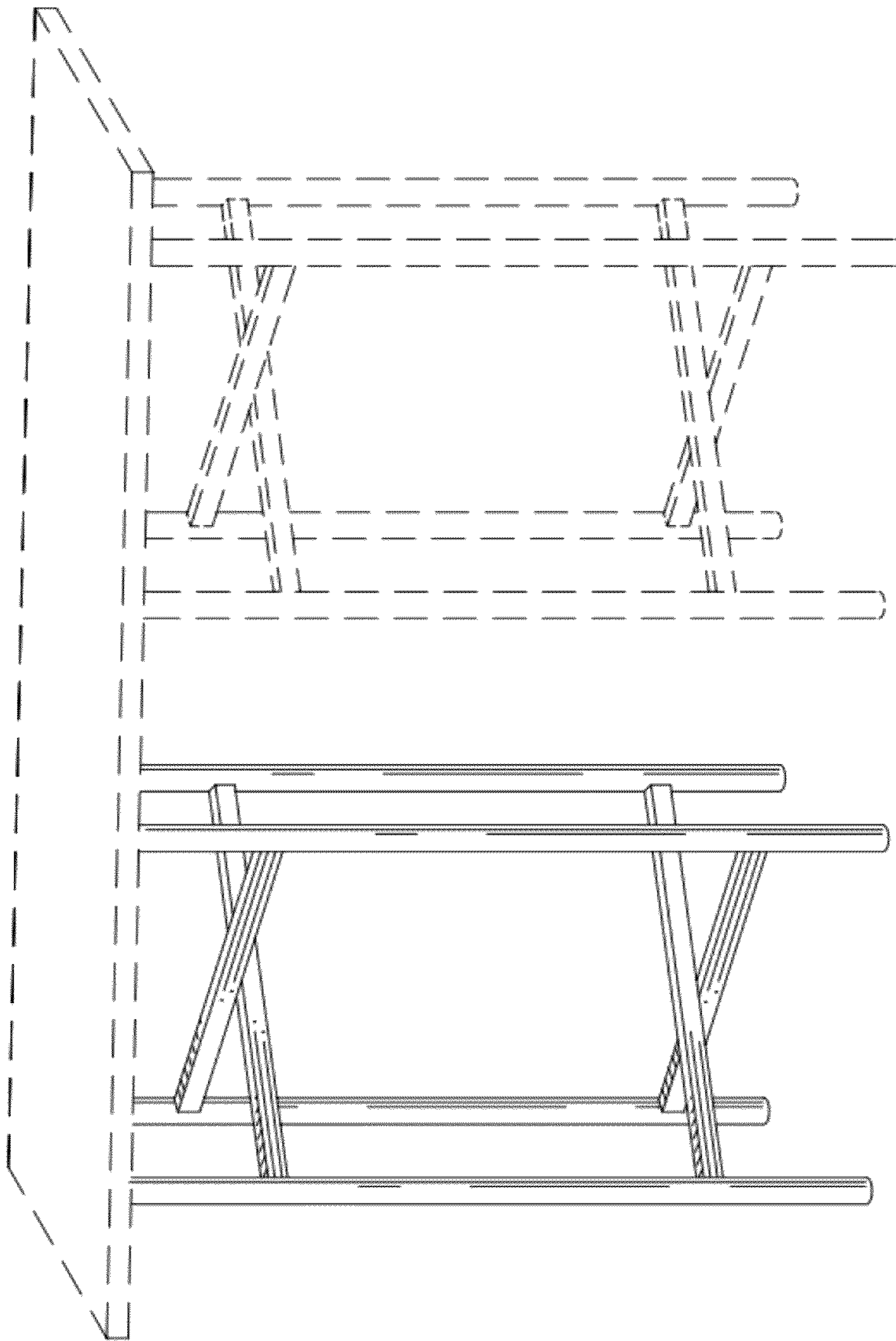


FIG. 1

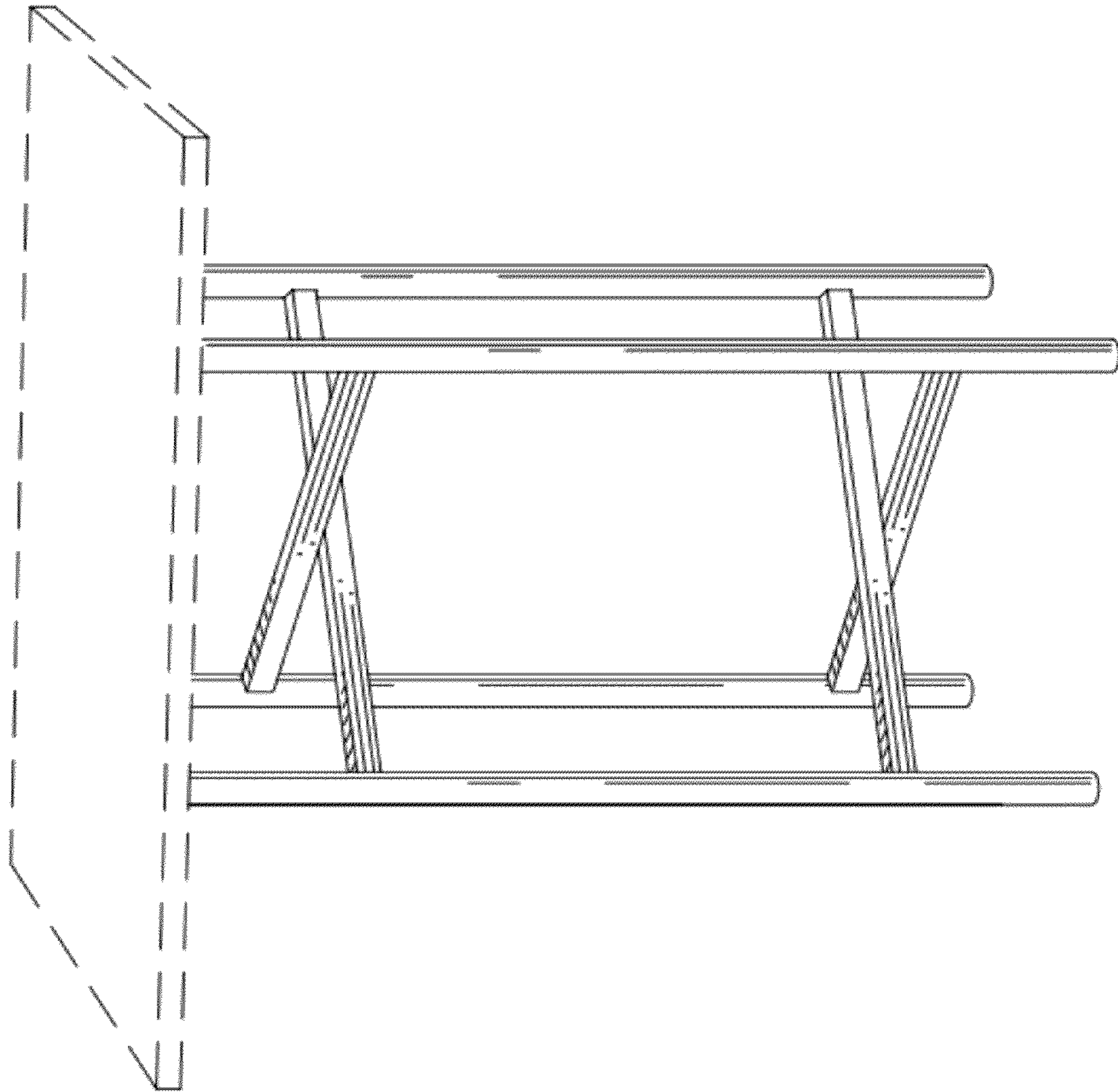


FIG. 2

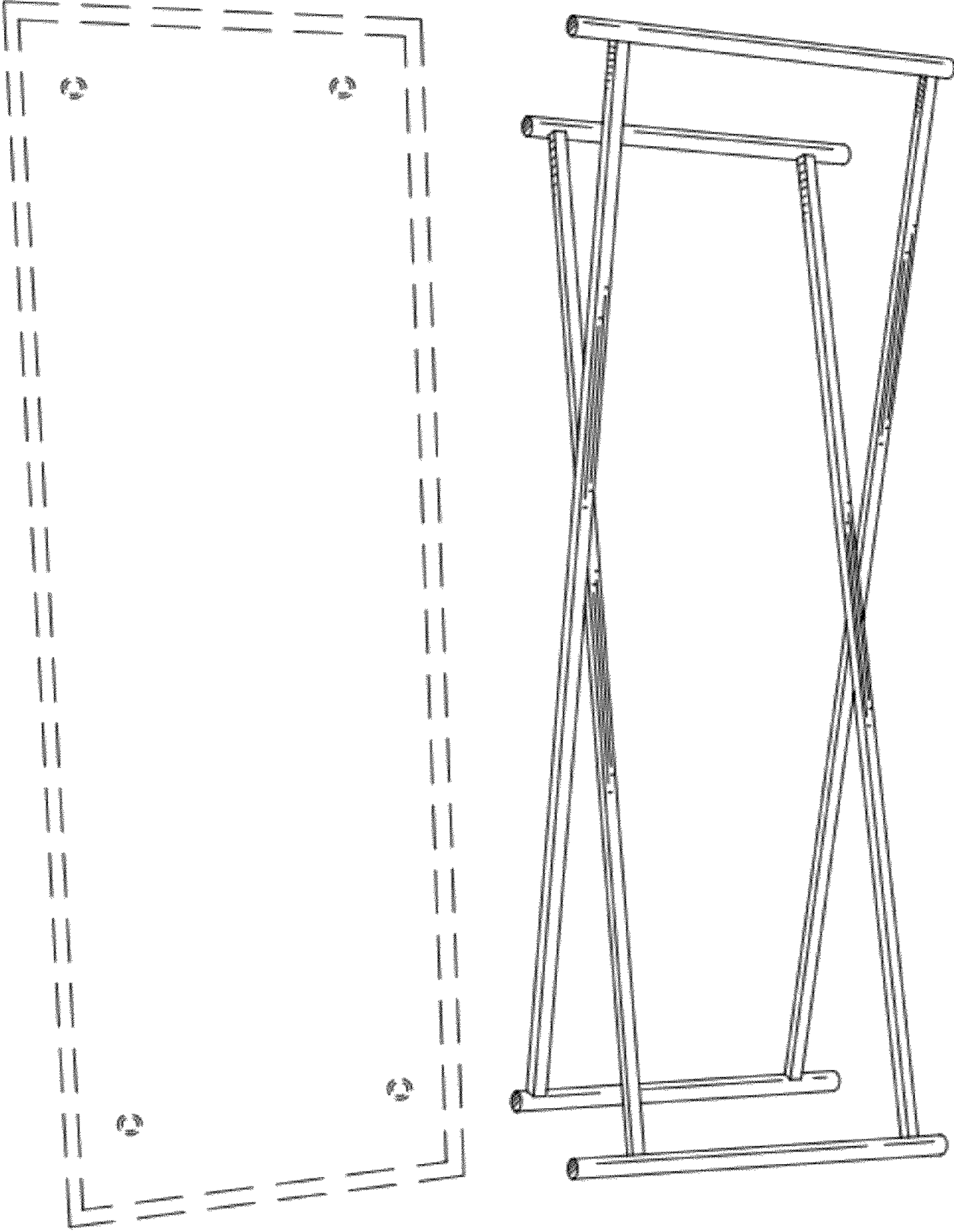


FIG. 3

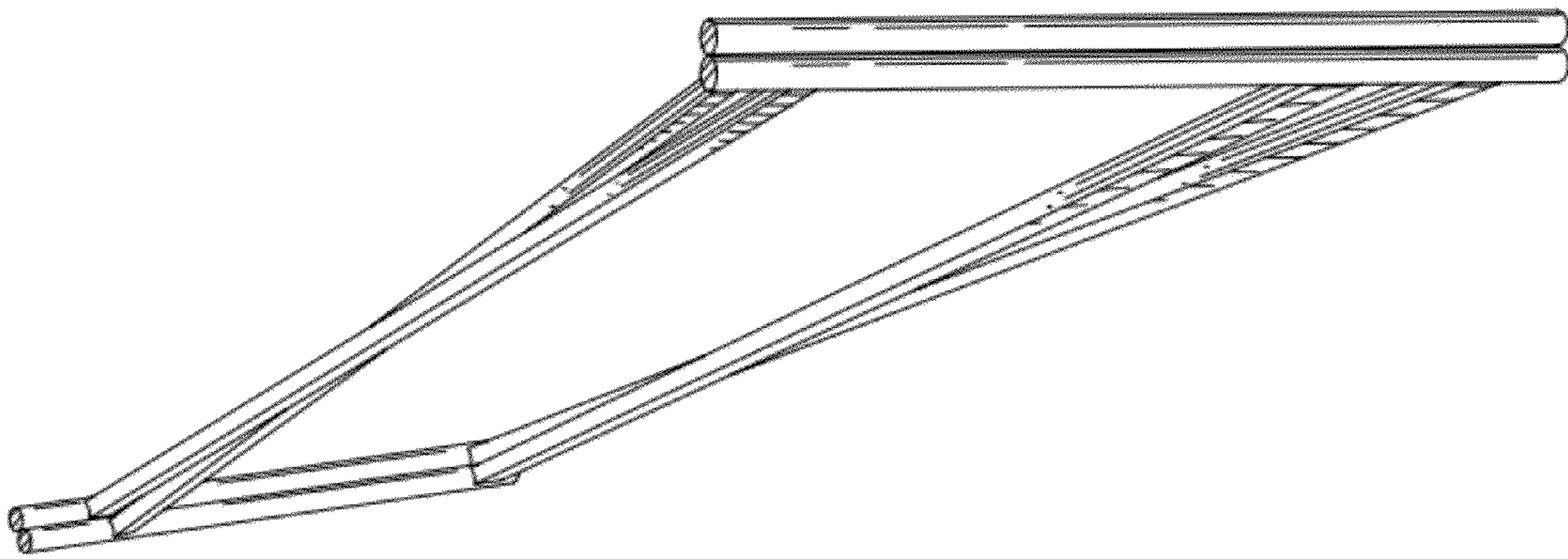


FIG. 4