

US00D662734S

(12) **United States Design Patent**  
**Mead et al.**

(10) **Patent No.:** **US D662,734 S**

(45) **Date of Patent:** **\*\* \*Jul. 3, 2012**

(54) **SHELF SUPPORT**

(75) Inventors: **Karl J. Mead**, East Grand Rapids, MI (US); **Alan E. Rheault**, Grand Rapids, MI (US); **George K. Vangelatos**, Fair Oaks, CA (US)

(73) Assignee: **Steelcase Inc.**, Grand Rapids, MI (US)

(\*) Notice: This patent is subject to a terminal disclaimer.

(\*\*) Term: **14 Years**

(21) Appl. No.: **29/380,994**

(22) Filed: **Dec. 14, 2010**

**Related U.S. Application Data**

(63) Continuation of application No. 29/363,624, filed on Jun. 11, 2010, now Pat. No. Des. 629,632.

(51) **LOC (9) Cl.** ..... **06-06**

(52) **U.S. Cl.** ..... **D6/495**

(58) **Field of Classification Search** ..... D6/480-489, D6/495-499, 511, 429-431, 422, 421, 477; 108/150, 153.1, 155, 156, 161; 248/188, 248/188.1, 188.8

See application file for complete search history.

(56) **References Cited**

**U.S. PATENT DOCUMENTS**

D166,377 S	4/1952	Curtis
D175,651 S	9/1955	Schwartz
D278,583 S	4/1985	Koguma
D279,740 S	7/1985	Slager
D305,585 S	1/1990	Wright
5,224,429 A	7/1993	Borgman et al.
5,323,695 A	6/1994	Borgman et al.
5,394,809 A	3/1995	Feldpausch et al.
D366,787 S	2/1996	Konecny

(Continued)

*Primary Examiner* — Janice Seeger

(74) *Attorney, Agent, or Firm* — Price Heneveld LLP

(57) **CLAIM**

We claim the ornamental design for the shelf support, as shown.

**DESCRIPTION**

FIG. 1 is a perspective view of a top and front of a first embodiment of a shelf support;

FIG. 2 is front elevational view of the first embodiment of a shelf support;

FIG. 3 is a rear elevational view of the first embodiment of a shelf support;

FIG. 4 is a right side elevational view of the first embodiment of a shelf support;

FIG. 5 is a left side elevational view of the first embodiment of a shelf support;

FIG. 6 is a top plan view of the first embodiment of a shelf support;

FIG. 7 is a bottom plan view of the first embodiment of a shelf support;

FIG. 8 is a perspective view of a top and front of a second embodiment of a workstation;

FIG. 9 is a front elevational view of the second embodiment of a workstation;

FIG. 10 is a rear elevational view of the second embodiment of a workstation;

FIG. 11 is a right side elevational view of the second embodiment of a workstation;

FIG. 12 is a left side elevational view of the second embodiment of a workstation;

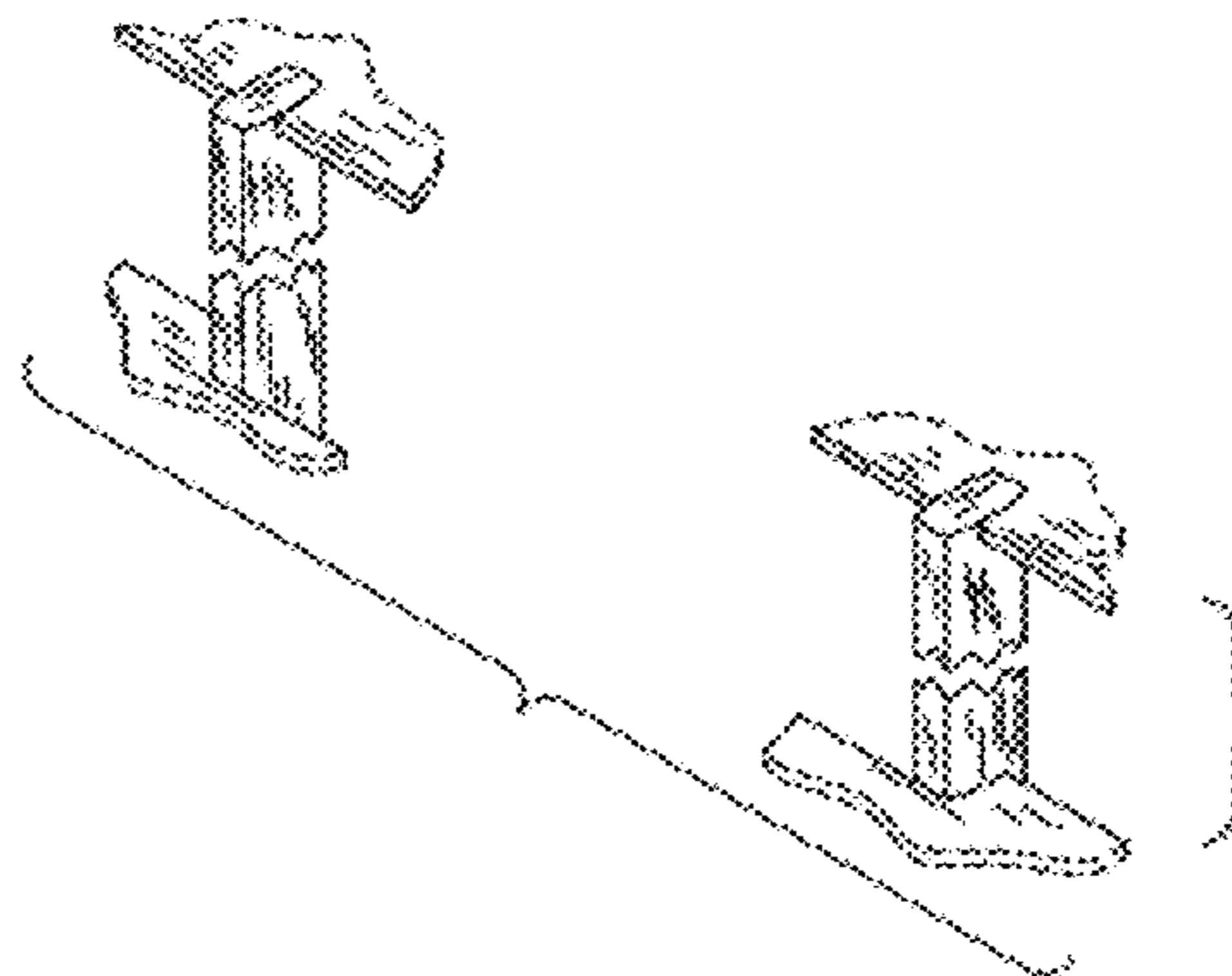
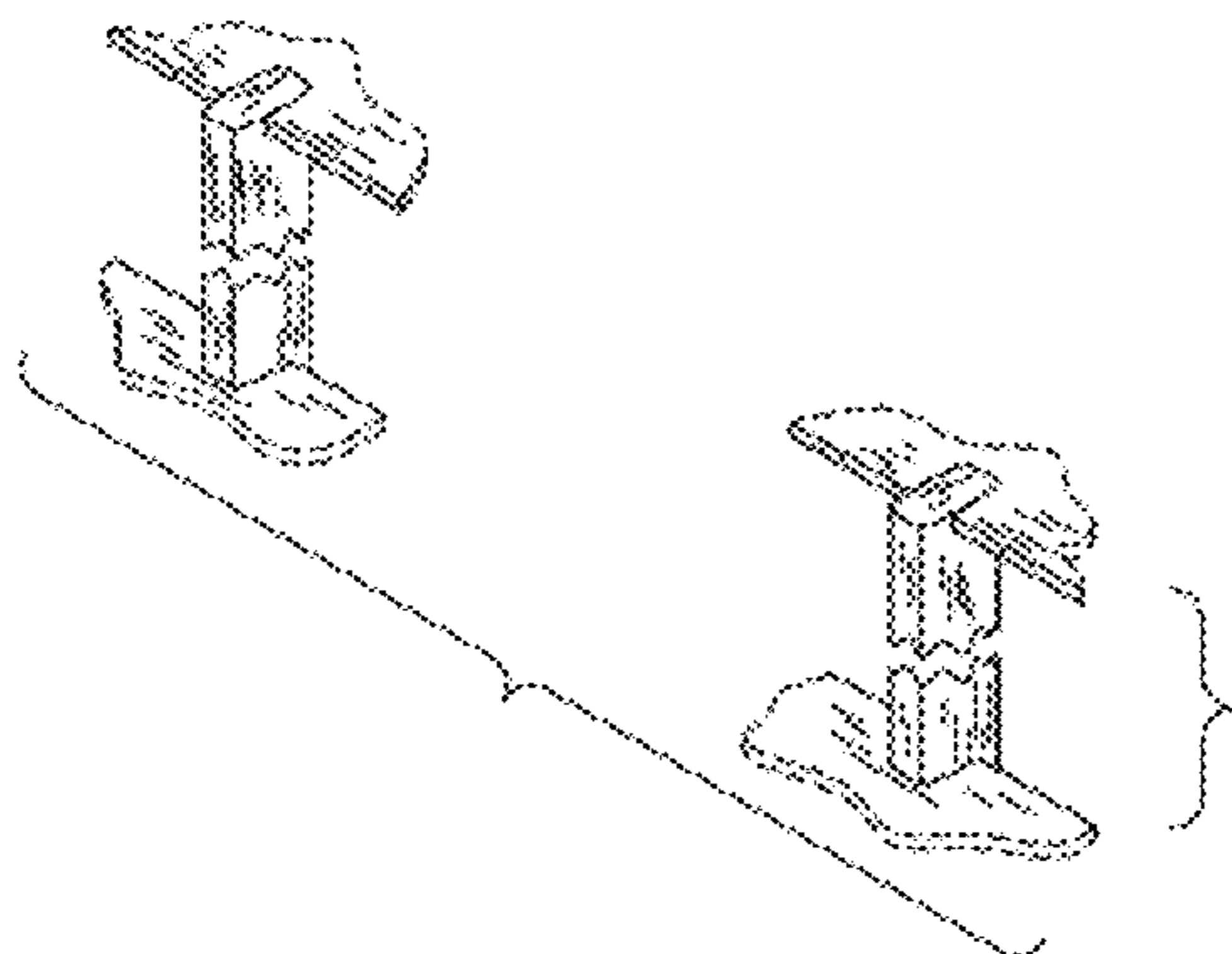
FIG. 13 is a top plan view of the second embodiment of a workstation; and,

FIG. 14 is a bottom plan view of the second embodiment of a workstation.

The views are shown broken away to indicate no specific height.

The dashed lines are for purposes of illustrating environmental structure and form no part of the claimed invention.

**1 Claim, 4 Drawing Sheets**



# US D662,734 S

Page 2

## U.S. PATENT DOCUMENTS

D371,699 S	7/1996	Muller-Deisig et al.	6,374,548 B1	4/2002	Ruedinger et al.	
D372,817 S	8/1996	Stevens	D489,562 S	5/2004	Kwok	
D377,873 S	2/1997	Flototto	6,732,660 B2	5/2004	Dame et al.	
5,609,112 A	3/1997	Meyer et al.	D496,536 S	9/2004	Chang	
5,752,449 A	5/1998	Simon et al.	7,036,438 B2	5/2006	Okamoto et al.	
5,842,425 A	12/1998	Van der Aa	D528,822 S	9/2006	Newhouse	
D408,652 S	4/1999	Muller	D530,546 S	10/2006	Muller	
5,901,513 A	5/1999	Mollenkopf et al.	D547,971 S	8/2007	Lachance et al.	
5,911,178 A	6/1999	Alexander	7,278,360 B2	10/2007	Griepentrog	
D414,350 S	9/1999	Fear et al.	D562,028 S	2/2008	Loeb	
5,947,569 A	9/1999	Rheault et al.	7,357,086 B2	4/2008	Petrick et al.	
5,974,985 A	11/1999	Flototto et al.	D569,142 S	5/2008	Burak	
D422,429 S	4/2000	Belka et al.	D619,388 S *	7/2010	Mead et al. ....	D6/482
6,101,954 A	8/2000	Rein et al.	D619,389 S *	7/2010	Mead et al. ....	D6/482
6,145,448 A	11/2000	Marschand et al.	D629,632 S *	12/2010	Mead et al. ....	D6/482
6,161,487 A	12/2000	Chang	D642,827 S *	8/2011	Poost et al. ....	D6/480
6,267,064 B1	7/2001	Ostertag et al.	2005/0248239 A1	11/2005	Newhouse	
6,283,043 B1	9/2001	Stern et al.	2007/0068429 A1	3/2007	Frazier	
6,286,441 B1	9/2001	Burdi et al.				

\* cited by examiner

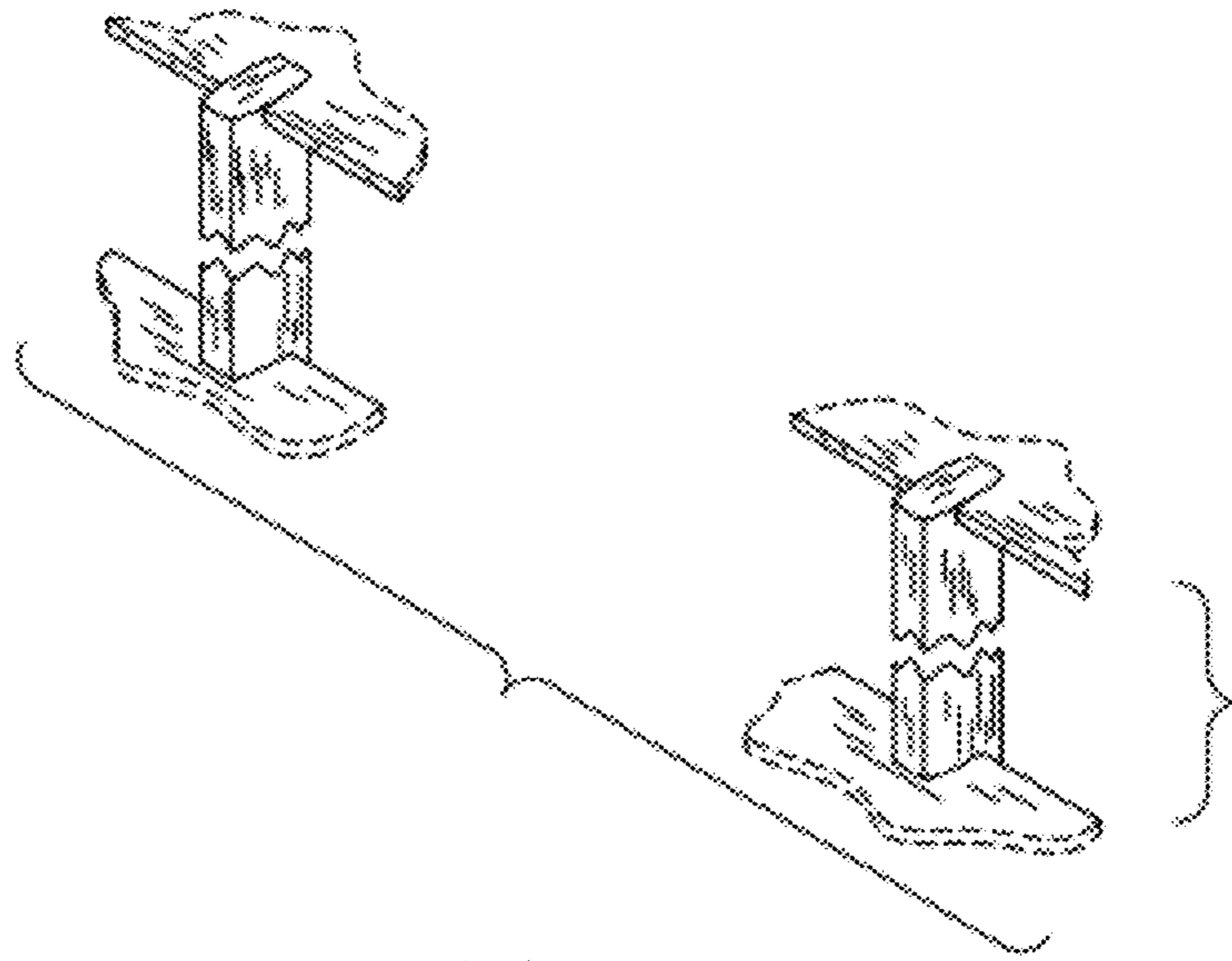


FIG. 1

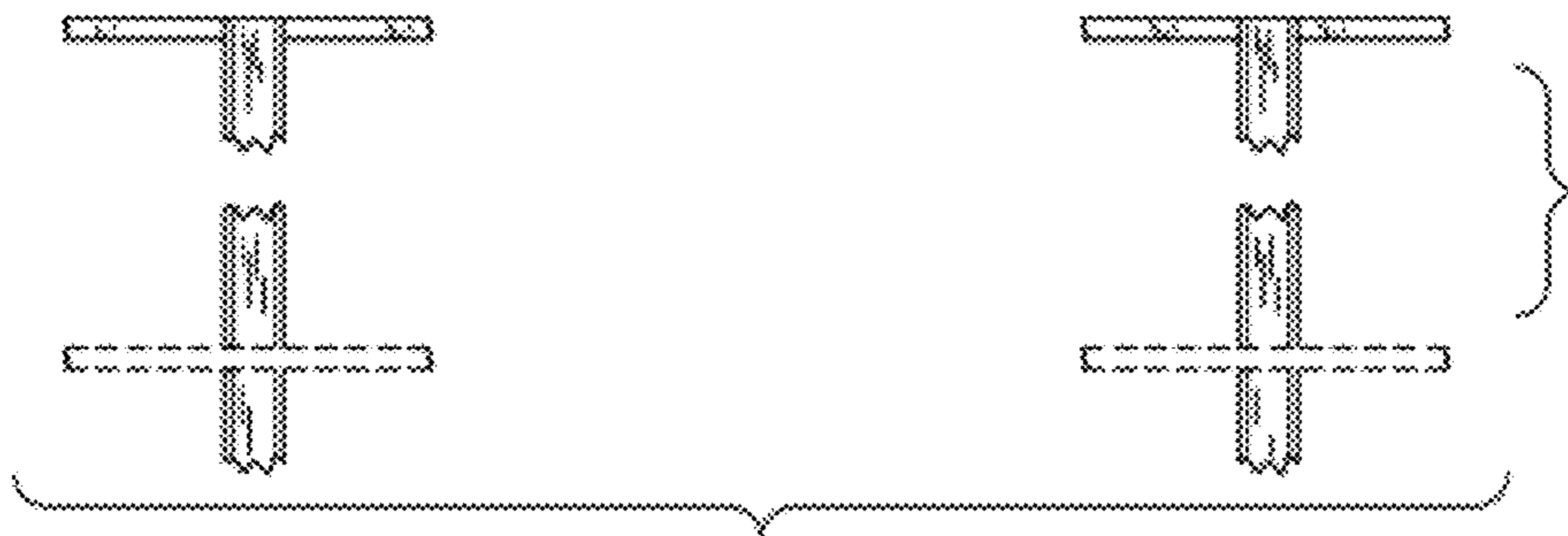


FIG. 2

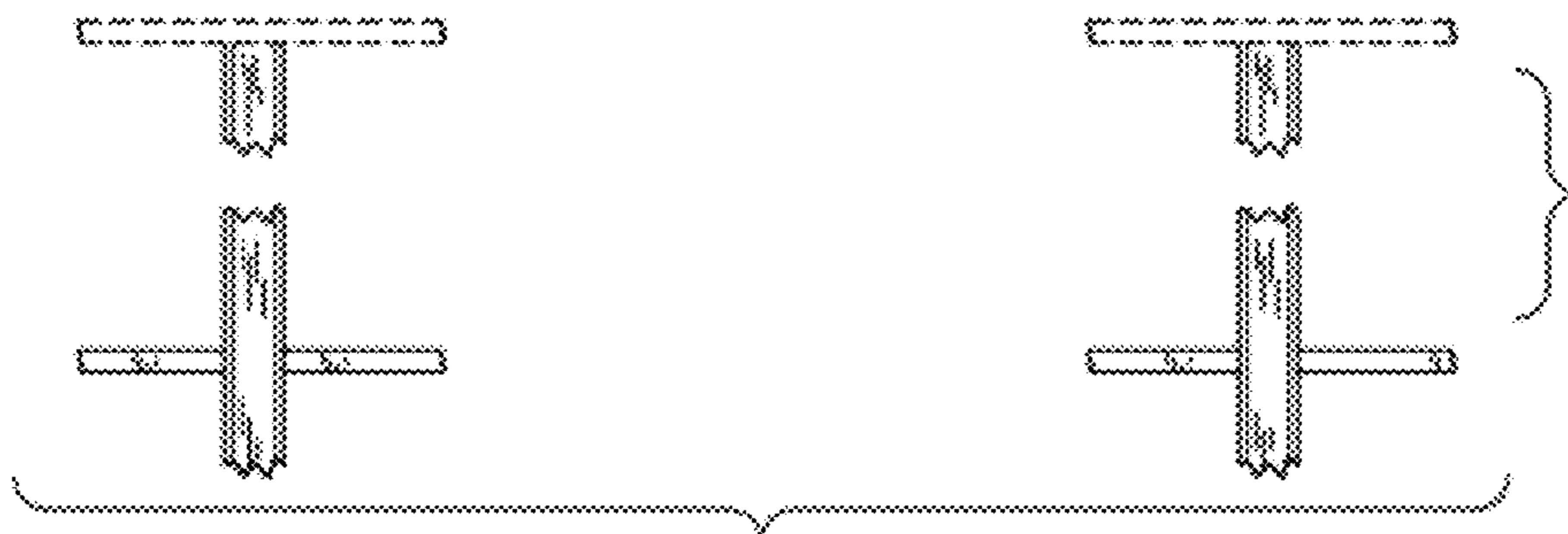


FIG. 3

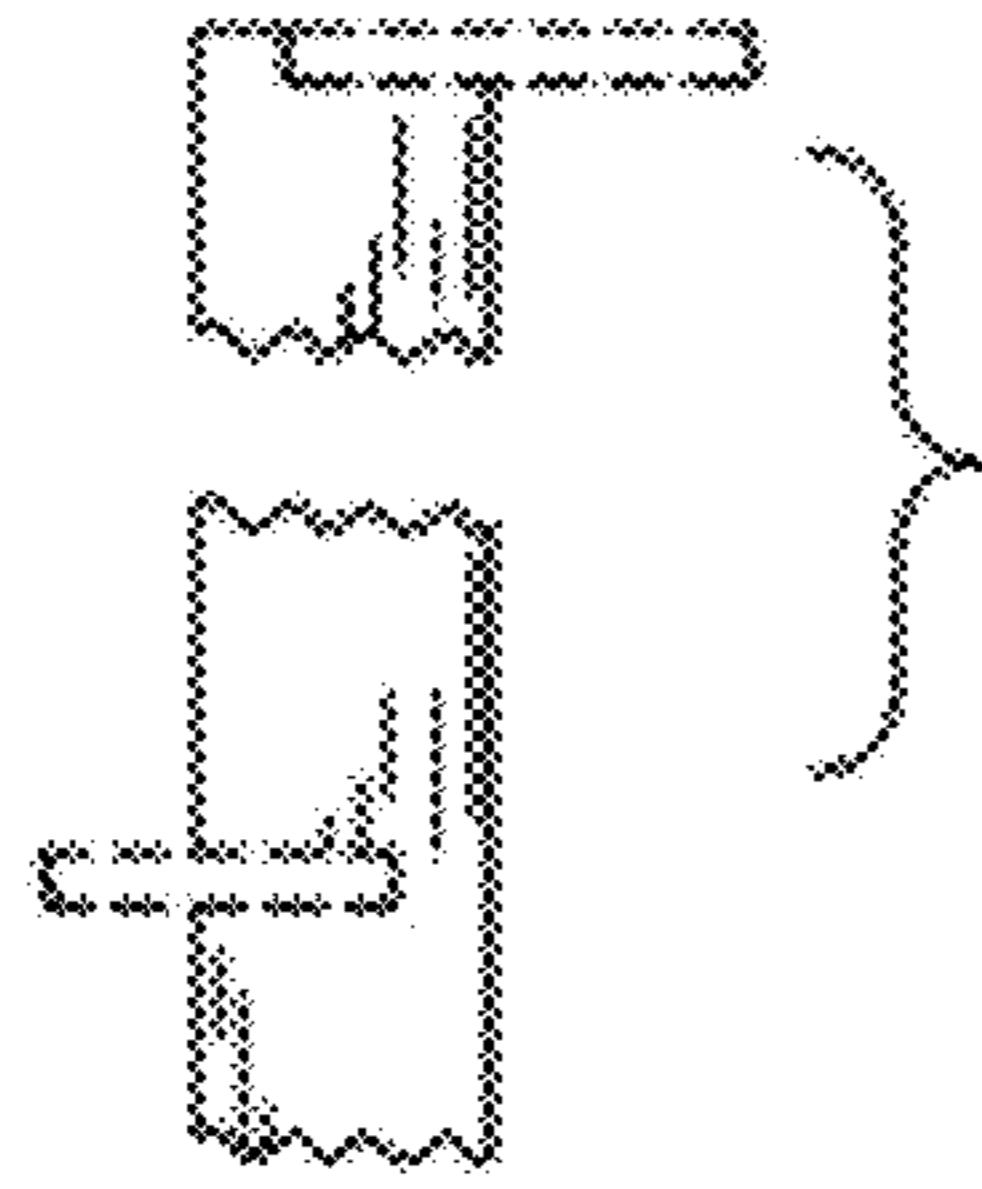


FIG. 4

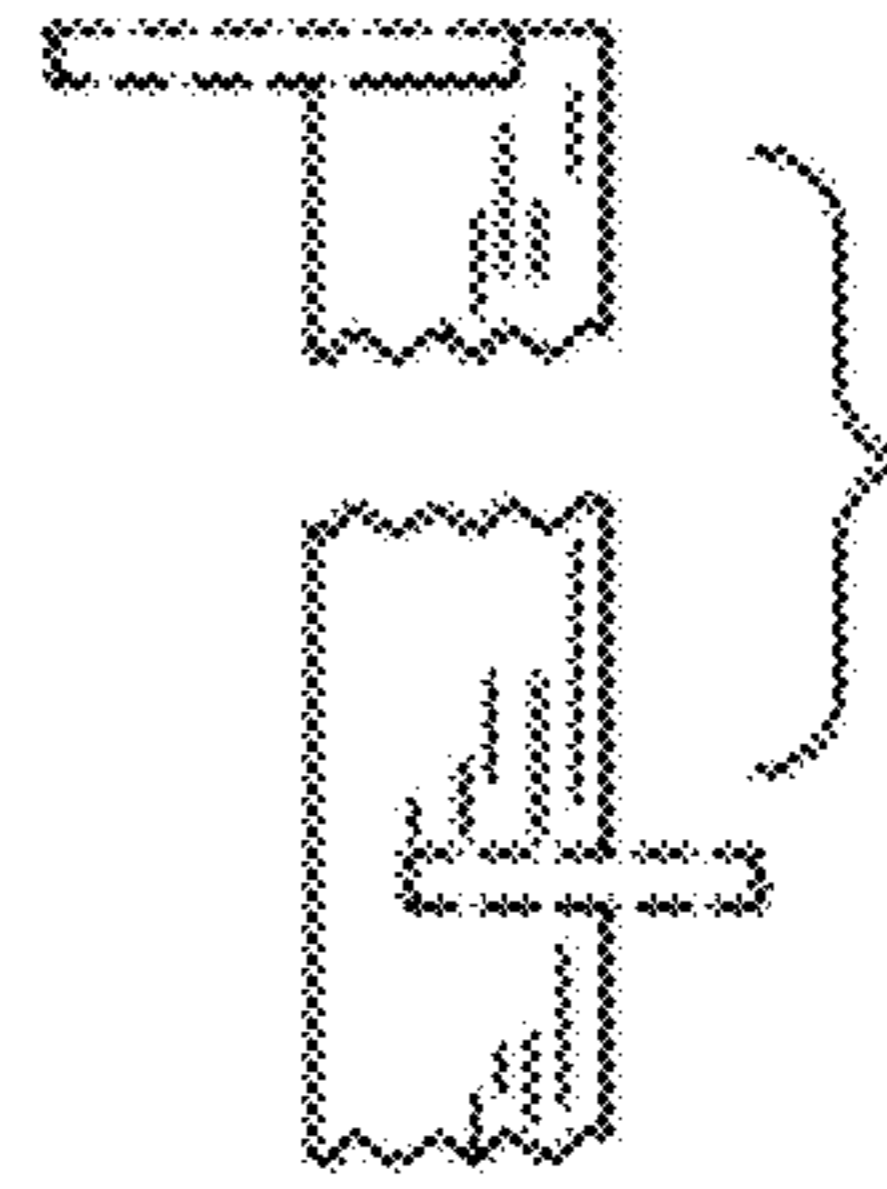


FIG. 5

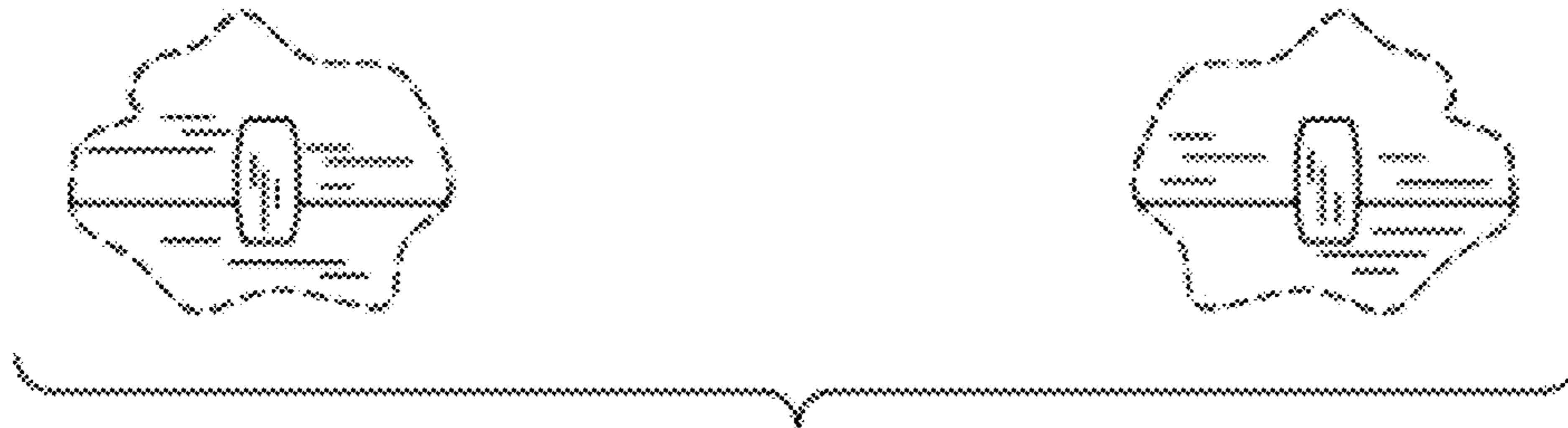


FIG. 6



FIG. 7



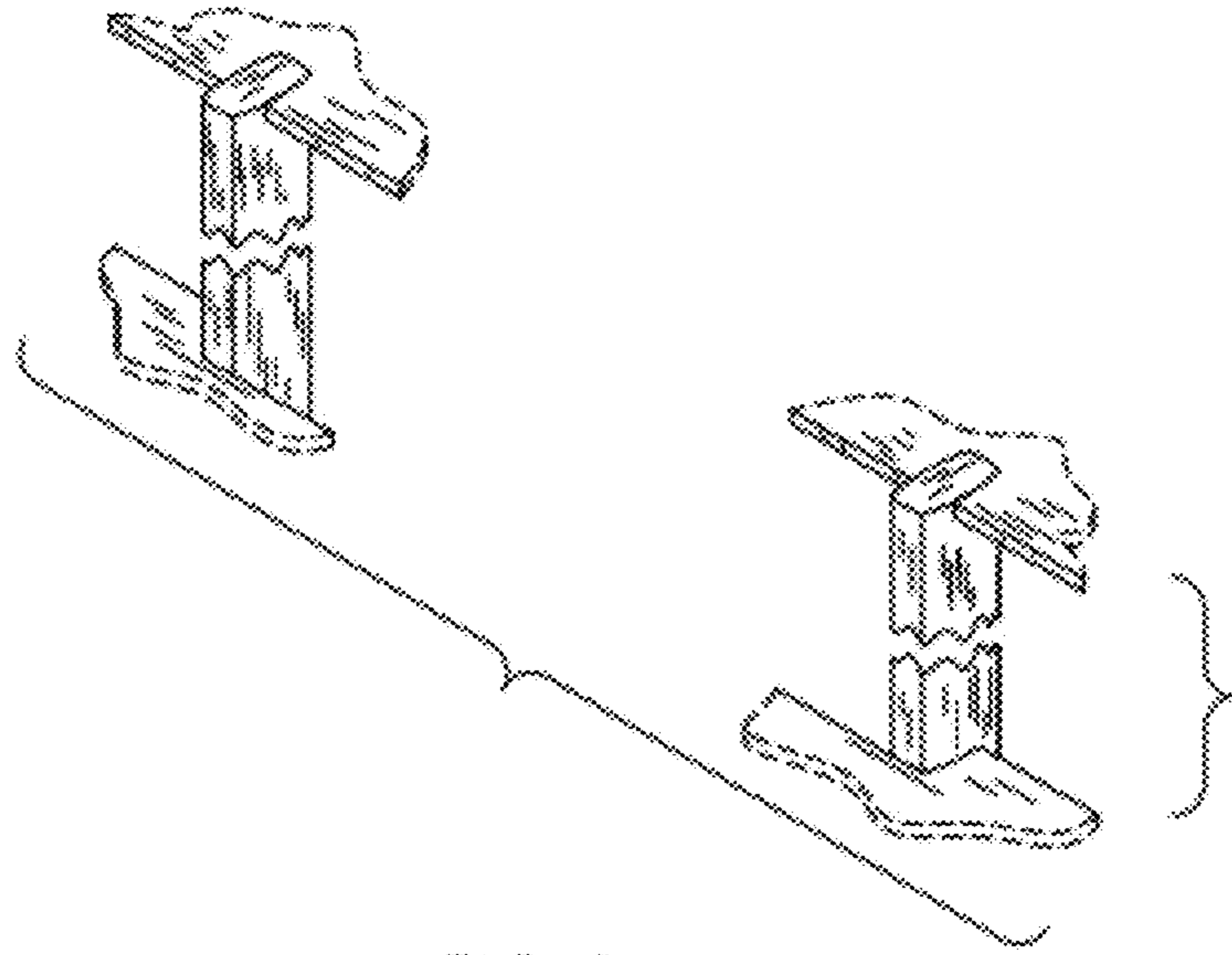


FIG. 8

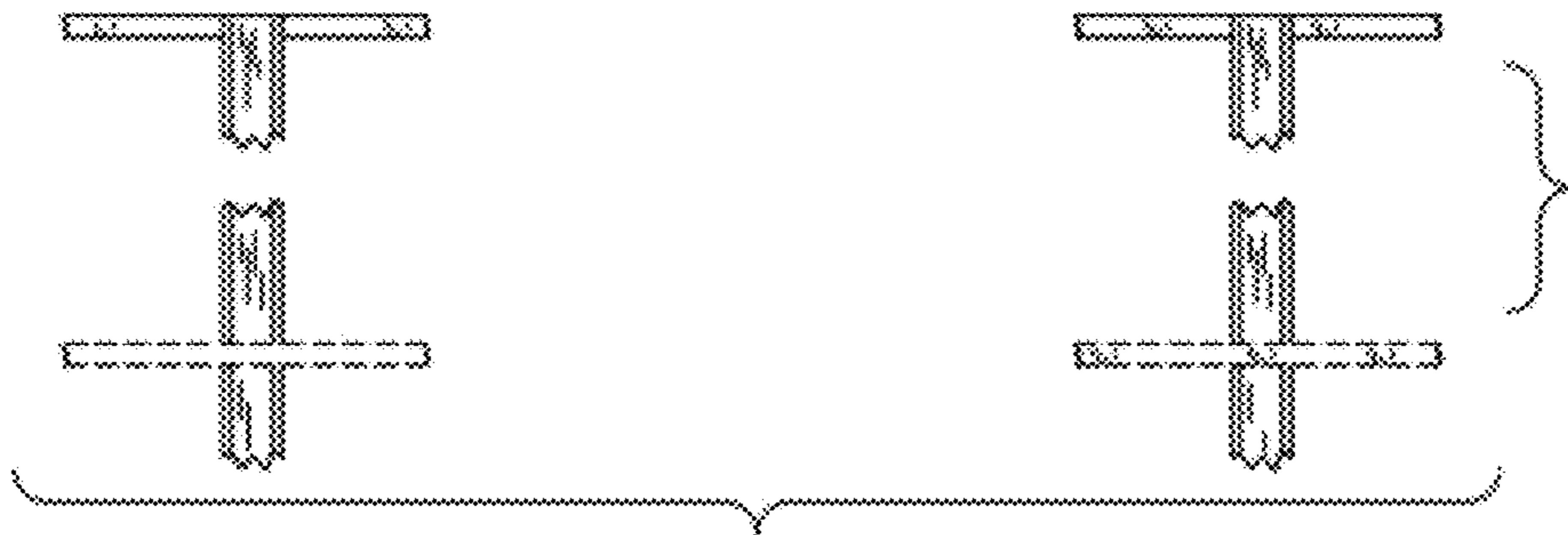


FIG. 9



FIG. 10

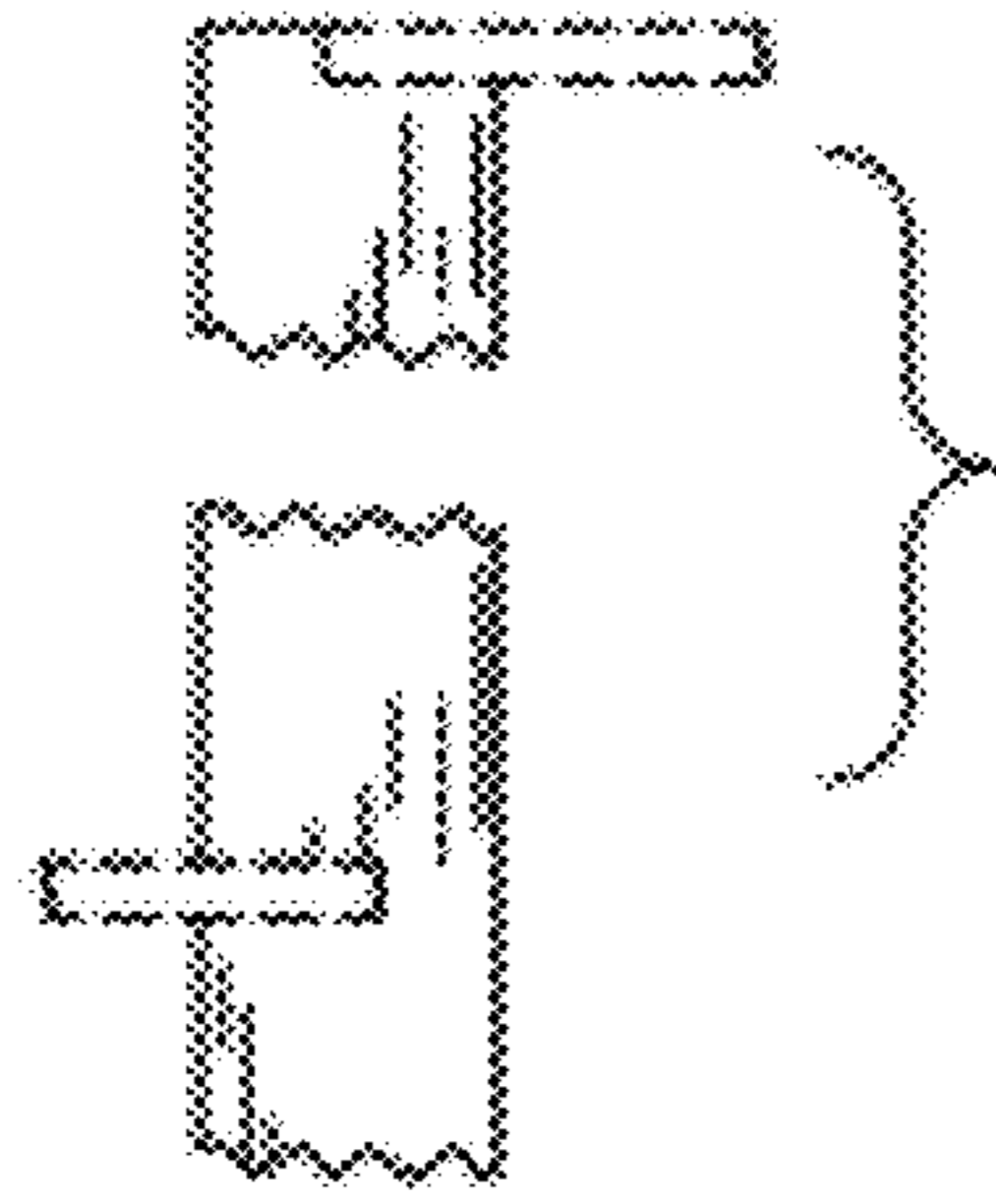


FIG. 11

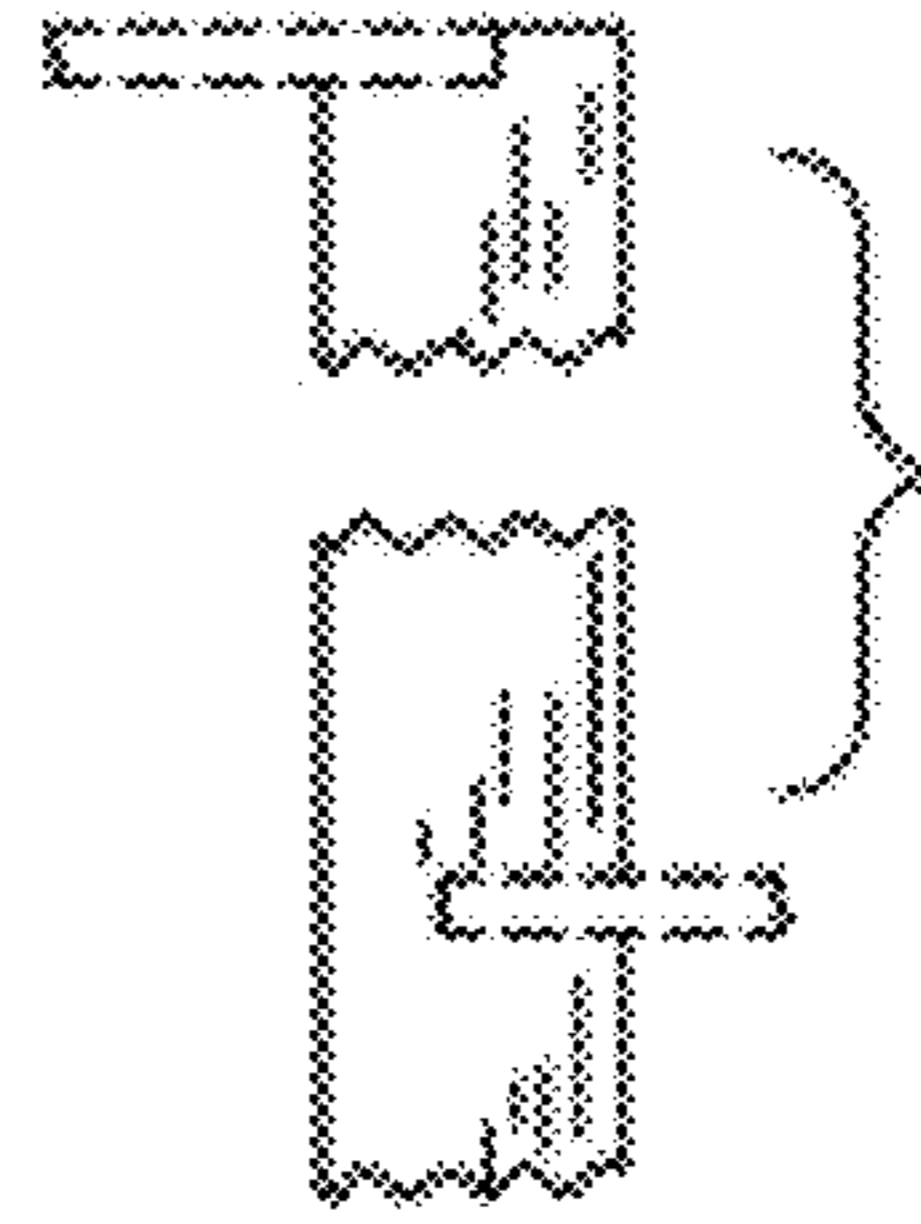


FIG. 12

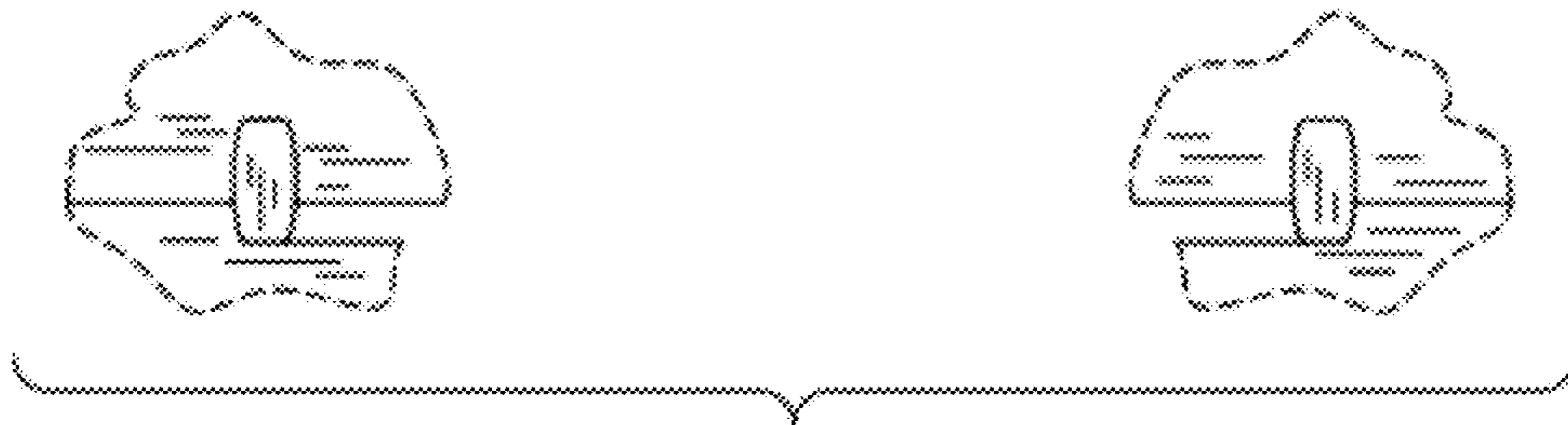


FIG. 13

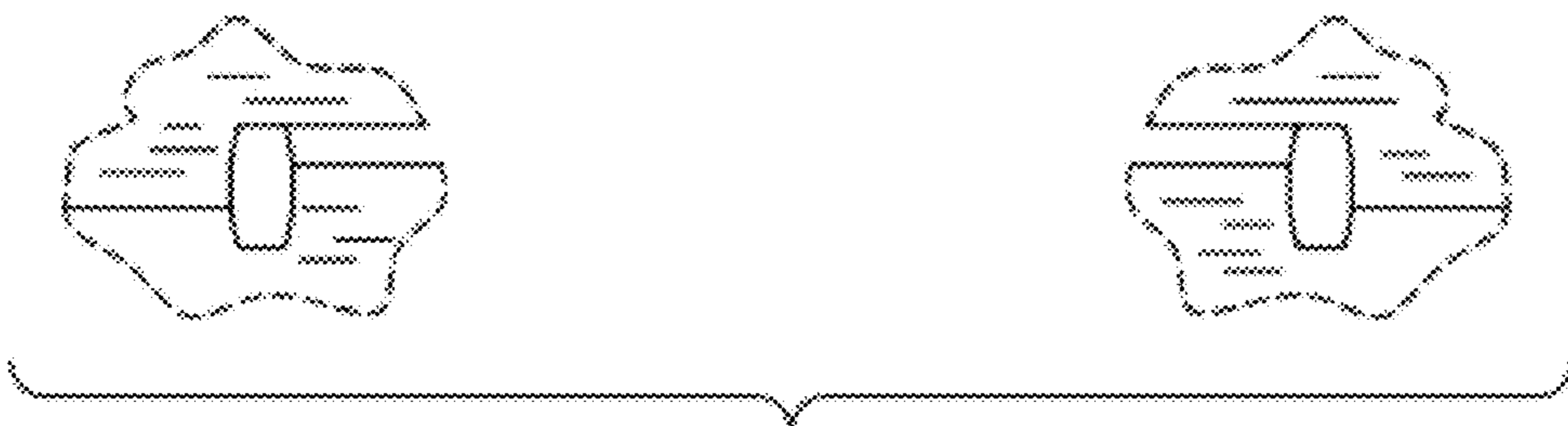


FIG. 14