



US00D662729S

(12) **United States Design Patent**  
**Zambelli**

(10) **Patent No.:** **US D662,729 S**  
(45) **Date of Patent:** **\*\* Jul. 3, 2012**

(54) **AUDIO VIDEO SHELVING UNIT**  
(75) Inventor: **Michael P. Zambelli**, Basking Ridge, NJ (US)  
(73) Assignee: **Bell'O International Corp.**, Morganville, NJ (US)  
(\*\*) Term: **14 Years**

D506,329 S 6/2005 Sexton  
D507,433 S 7/2005 Portnoy  
D507,900 S 8/2005 Sexton  
D508,172 S 8/2005 Malizia et al.  
D509,083 S \* 9/2005 Sexton ..... D6/477  
D515,337 S 2/2006 deCarolis  
D515,849 S 2/2006 Niu  
D516,838 S 3/2006 Portnoy  
D516,840 S 3/2006 deCarolis  
D516,847 S 3/2006 Stenhouse et al.

(Continued)

(21) Appl. No.: **29/410,122**

(22) Filed: **Jan. 4, 2012**

(51) **LOC (9) Cl.** ..... **06-06**

(52) **U.S. Cl.** ..... **D6/479**

(58) **Field of Classification Search** ..... D6/470-471, D6/474, 477-479, 460-461, 468; 108/59, 108/91-92, 96; 211/40, 41.12, 42, 49.1, 211/50, 85.2, 90.04, 187, 190; 206/307  
See application file for complete search history.

(56) **References Cited**

**U.S. PATENT DOCUMENTS**

D454,731 S 3/2002 Niitsu et al.  
D458,053 S 6/2002 Luong  
D459,118 S 6/2002 Antonioni  
D472,073 S 3/2003 de Carolis  
D472,074 S 3/2003 de Carolis  
D472,075 S 3/2003 de Carolis  
D489,548 S 5/2004 Malizia et al.  
D491,748 S 6/2004 deCarolis  
D491,749 S 6/2004 Malizia et al.  
D491,750 S 6/2004 Bertoncini et al.  
D491,753 S 6/2004 deCarolis  
D492,860 S 7/2004 Bertoncini et al.  
D493,982 S 8/2004 deCarolis  
D496,543 S \* 9/2004 Forlenza ..... D6/477  
D496,806 S \* 10/2004 Chang ..... D6/477  
D496,807 S 10/2004 deCarolis  
D497,060 S 10/2004 Chang et al.  
D497,061 S \* 10/2004 Decarolis ..... D6/479  
D505,573 S 5/2005 Malizia

**OTHER PUBLICATIONS**

Bell'O Dec. 2011 Product Catalog.

*Primary Examiner* — Kelley Donnelly

(74) *Attorney, Agent, or Firm* — Lerner, David, Littenberg, Krumholz & Mentlik, LLP

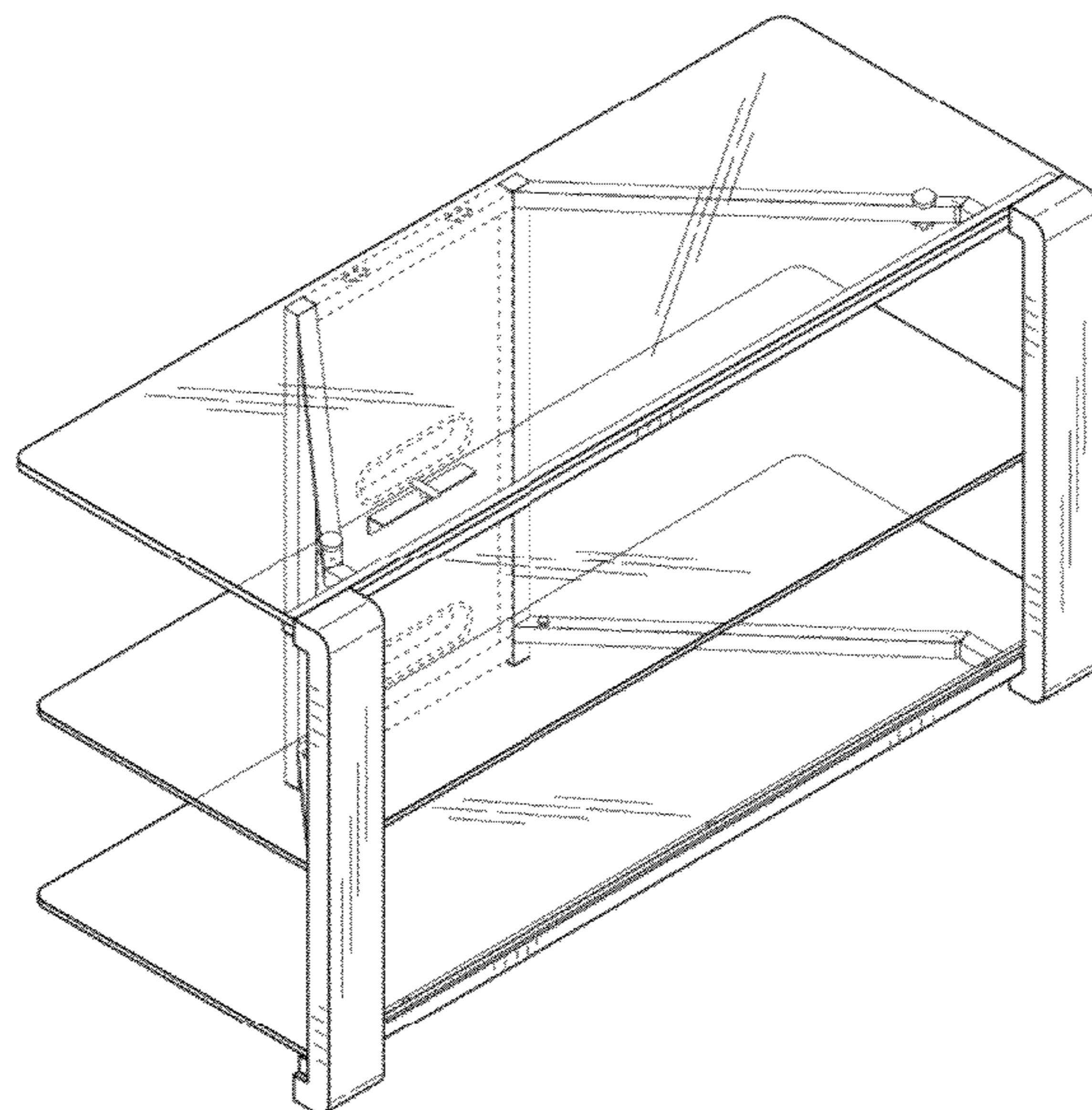
(57) **CLAIM**

The ornamental design for audio video shelving unit, as shown and described.

**DESCRIPTION**

FIG. 1 is a front perspective view of a first embodiment of the audio video shelving unit;  
FIG. 2 is a front elevational view thereof;  
FIG. 3 is a rear elevational view thereof;  
FIG. 4 is a top plan view thereof;  
FIG. 5 is a right side view thereof (the left side being a mirror image of the right side view);  
FIG. 6 is a front perspective view of a second embodiment of the audio video shelving unit; and,  
FIG. 7 is a top plan view of the embodiment shown in FIG. 6 (all other views of the second embodiment having the same appearance as FIGS. 2, 3 and 5).  
The broken lines shown on the drawings are included for the purpose of illustration and form no part of the claimed design.

**1 Claim, 5 Drawing Sheets**



# US D662,729 S

Page 2

## U.S. PATENT DOCUMENTS

D519,757 S	5/2006	Portnoy	D594,248 S	6/2009	Zambelli	
D524,080 S	7/2006	Stenhouse et al.	D595,978 S	7/2009	Portnoy et al.	
D524,578 S	7/2006	Stenhouse et al.	D599,584 S	9/2009	Zambelli	
D525,052 S	7/2006	Malizia et al.	D600,946 S *	9/2009	Day .....	D6/479
D525,054 S	7/2006	Stenhouse et al.	D604,251 S	11/2009	Hwang	
D527,208 S	8/2006	Malizia et al.	D605,874 S	12/2009	Zambelli	
D535,497 S	1/2007	Portnoy	D610,836 S	3/2010	Kohler	
D537,656 S	3/2007	Stenhouse et al.	D612,172 S	3/2010	Portnoy	
D540,067 S	4/2007	Chung	D612,634 S	3/2010	Zambelli	
D542,059 S	5/2007	Moyle et al.	D616,672 S	6/2010	Sculler et al.	
D543,729 S	6/2007	Weatherly	D619,827 S	7/2010	Sculler et al.	
D549,991 S	9/2007	Stravitz	D619,828 S	7/2010	Connor et al.	
D554,393 S	11/2007	Yalif	D620,278 S	7/2010	Zambelli	
D555,397 S	11/2007	Yalif	D620,284 S	7/2010	Zambelli	
D559,583 S	1/2008	Zambelli	D620,285 S	7/2010	Sculler et al.	
D559,584 S	1/2008	Zambelli	D623,442 S	9/2010	Zambelli	
D560,077 S	1/2008	Zambelli	D623,443 S	9/2010	Zambelli	
D560,401 S	1/2008	Hoglan et al.	D623,876 S	9/2010	Zambelli	
D562,593 S	2/2008	Zambelli	D623,877 S	9/2010	Zambelli	
D563,695 S	3/2008	Yamaguchi	D625,123 S	10/2010	Zambelli	
D564,260 S	3/2008	deCarolis	D630,871 S *	1/2011	Sexton .....	D6/477
D564,261 S	3/2008	Sculler	D631,265 S *	1/2011	Sexton .....	D6/477
D564,789 S	3/2008	deCarolis	D641,183 S	7/2011	Portnoy	
D564,796 S	3/2008	Zambelli	D641,995 S	7/2011	Zambelli	
D564,797 S	3/2008	Yamaguchi	D643,649 S	8/2011	Chung	
D587,483 S	3/2009	Zambelli	D644,043 S	8/2011	Portnoy	
D587,496 S	3/2009	Weitz	D644,454 S	9/2011	Chung	
D587,497 S	3/2009	Zambelli	D646,910 S	10/2011	Portnoy	
D590,636 S	4/2009	Yang et al.	D648,573 S	11/2011	Sculler	
D590,637 S	4/2009	Portnoy	D653,057 S *	1/2012	Sexton .....	D6/477
D592,428 S	5/2009	Zambelli				

\* cited by examiner

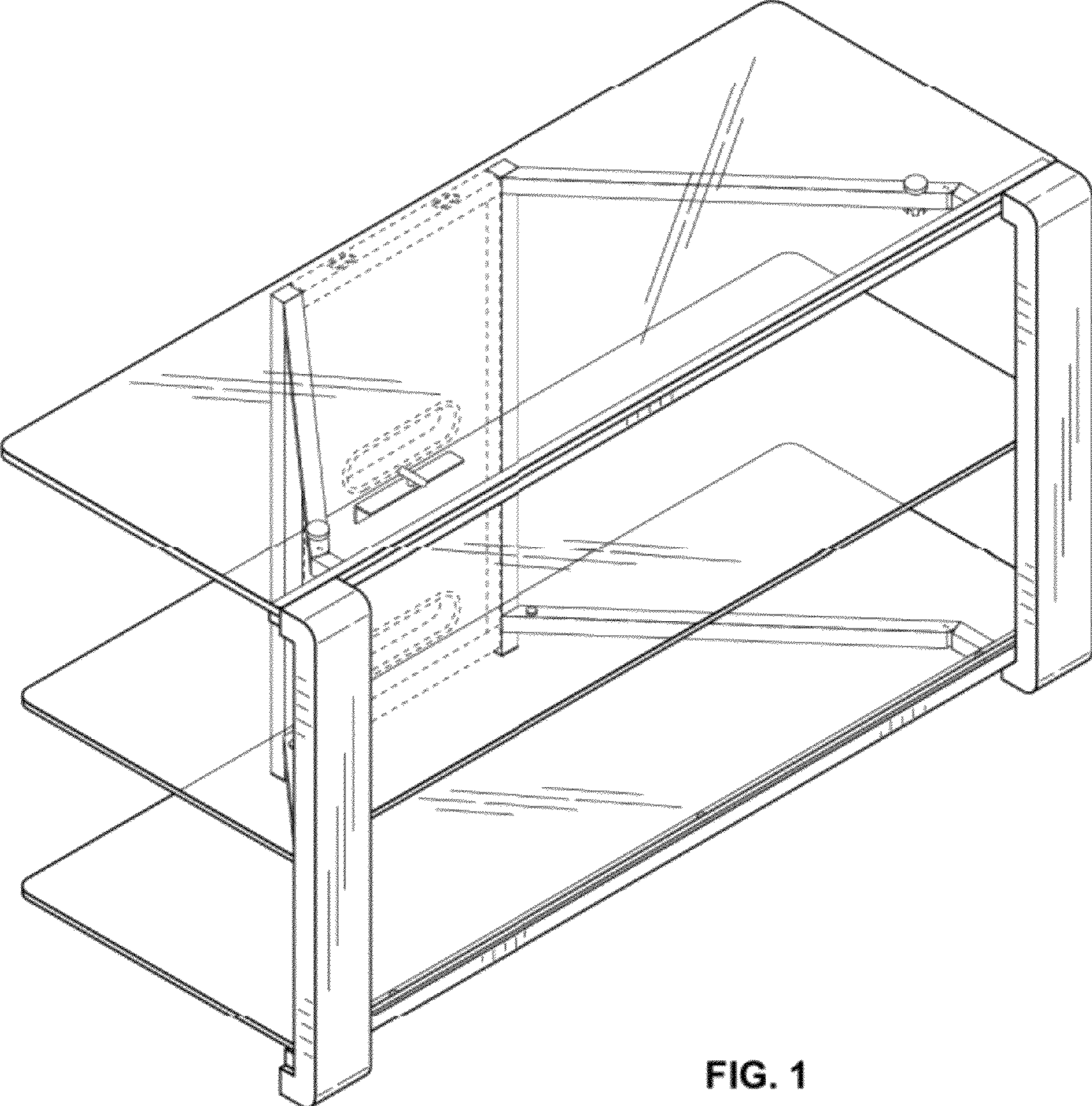


FIG. 1

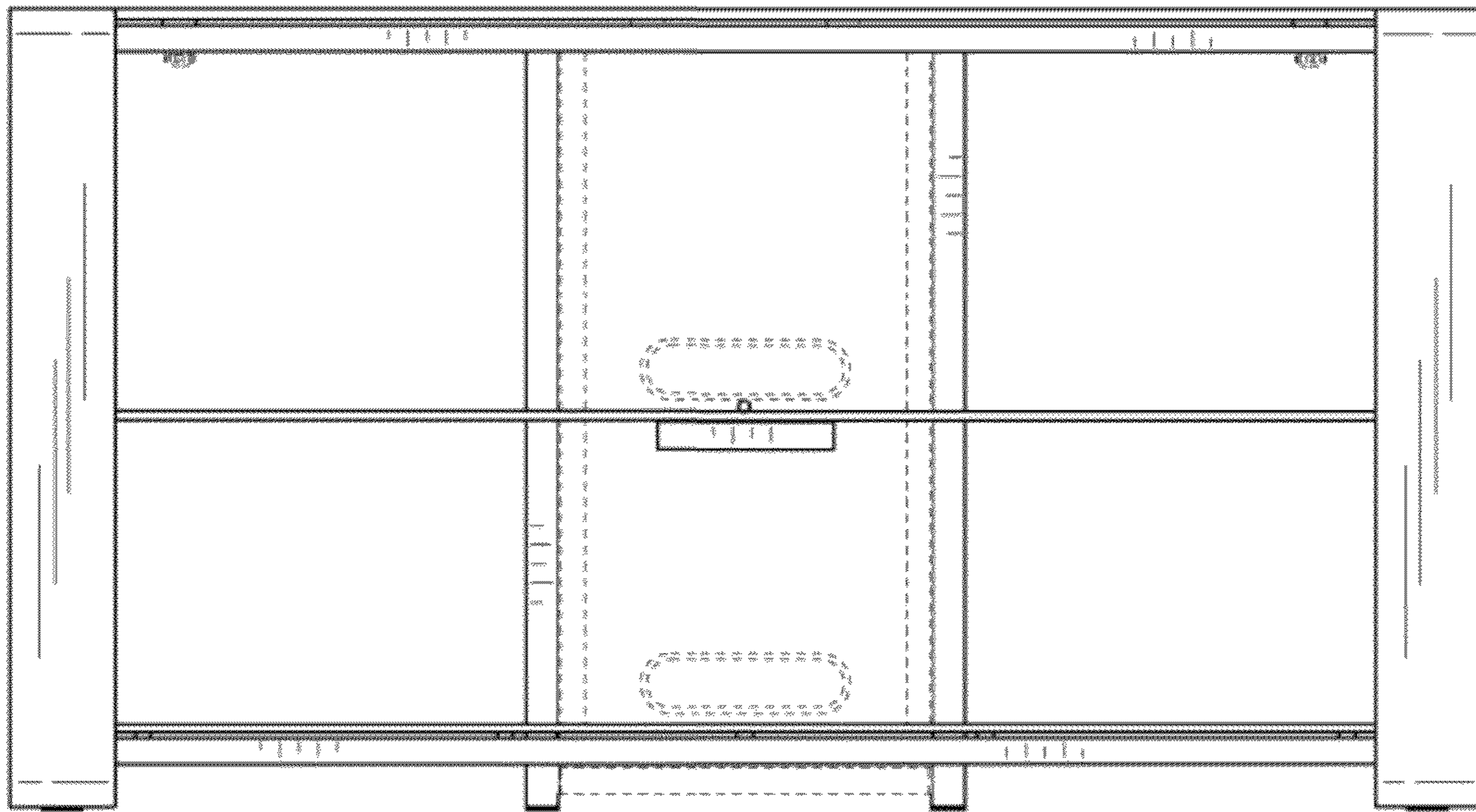


FIG. 2

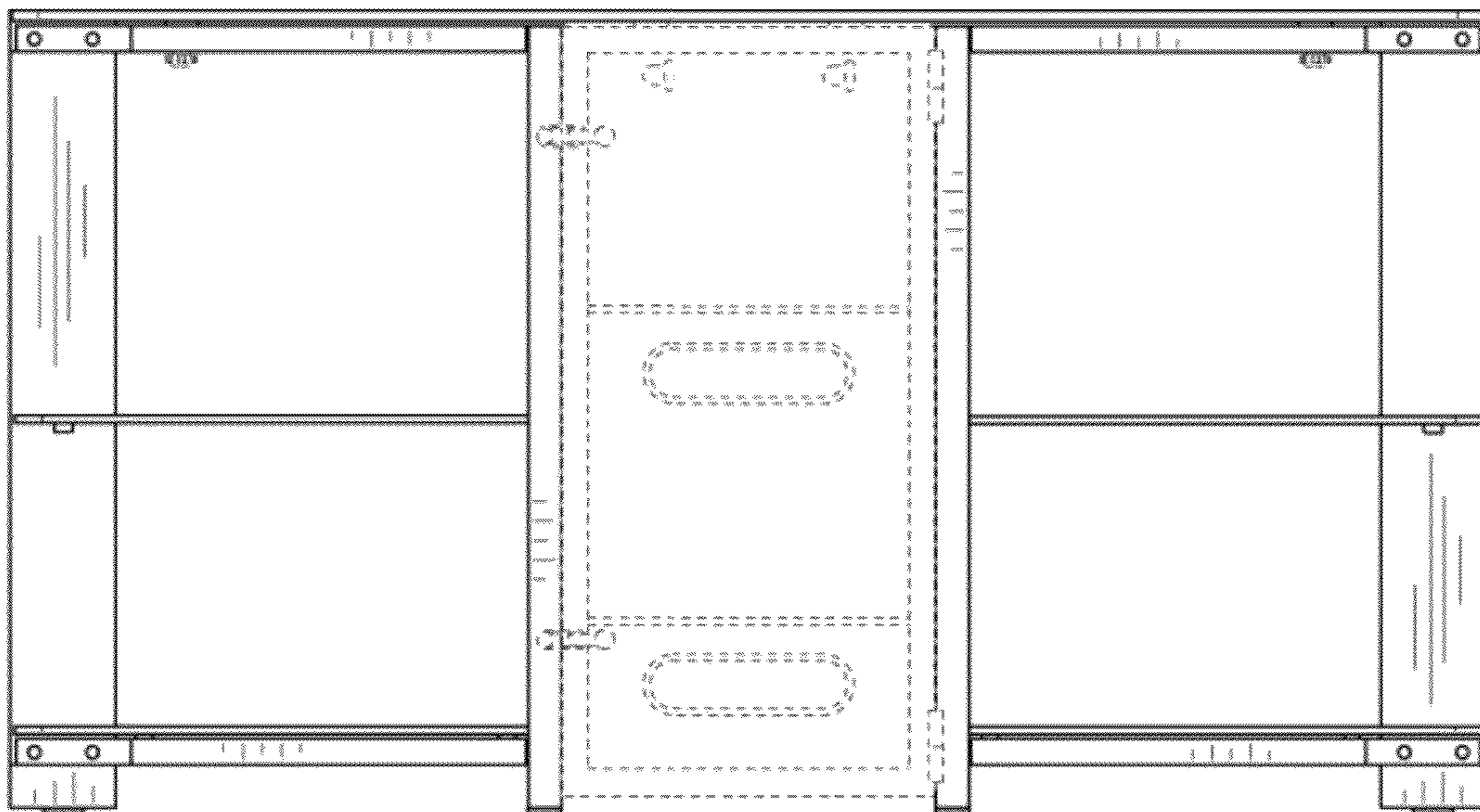


FIG. 3

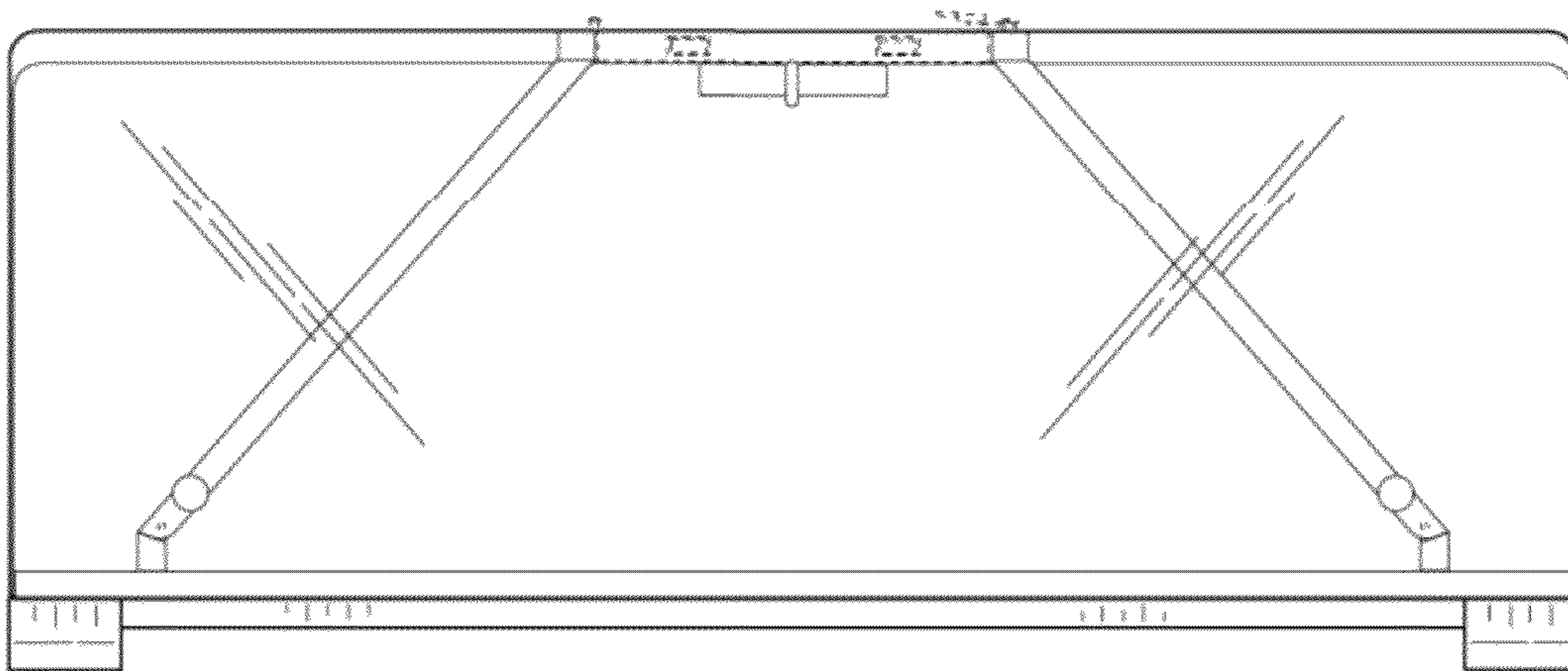


FIG. 4

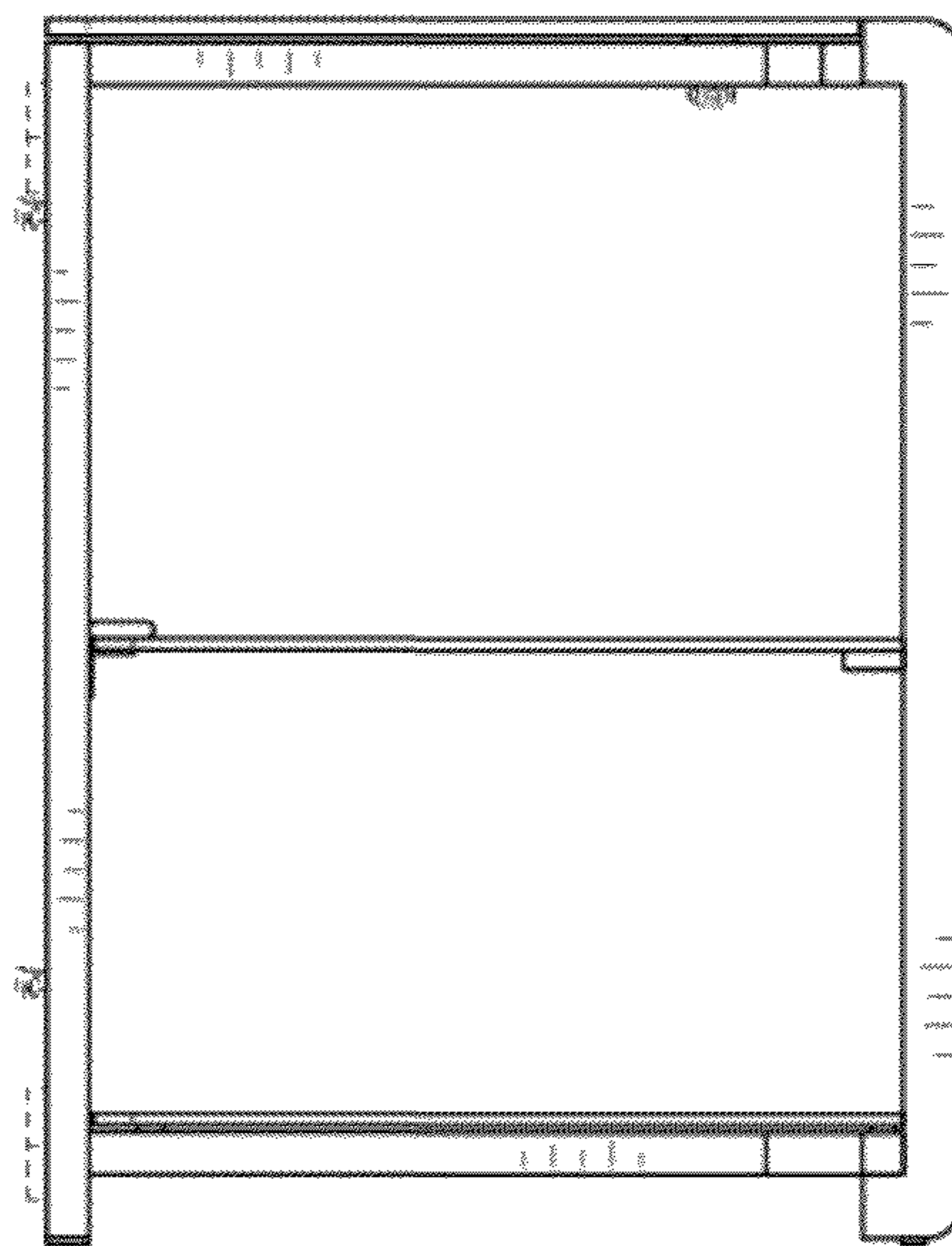


FIG. 5

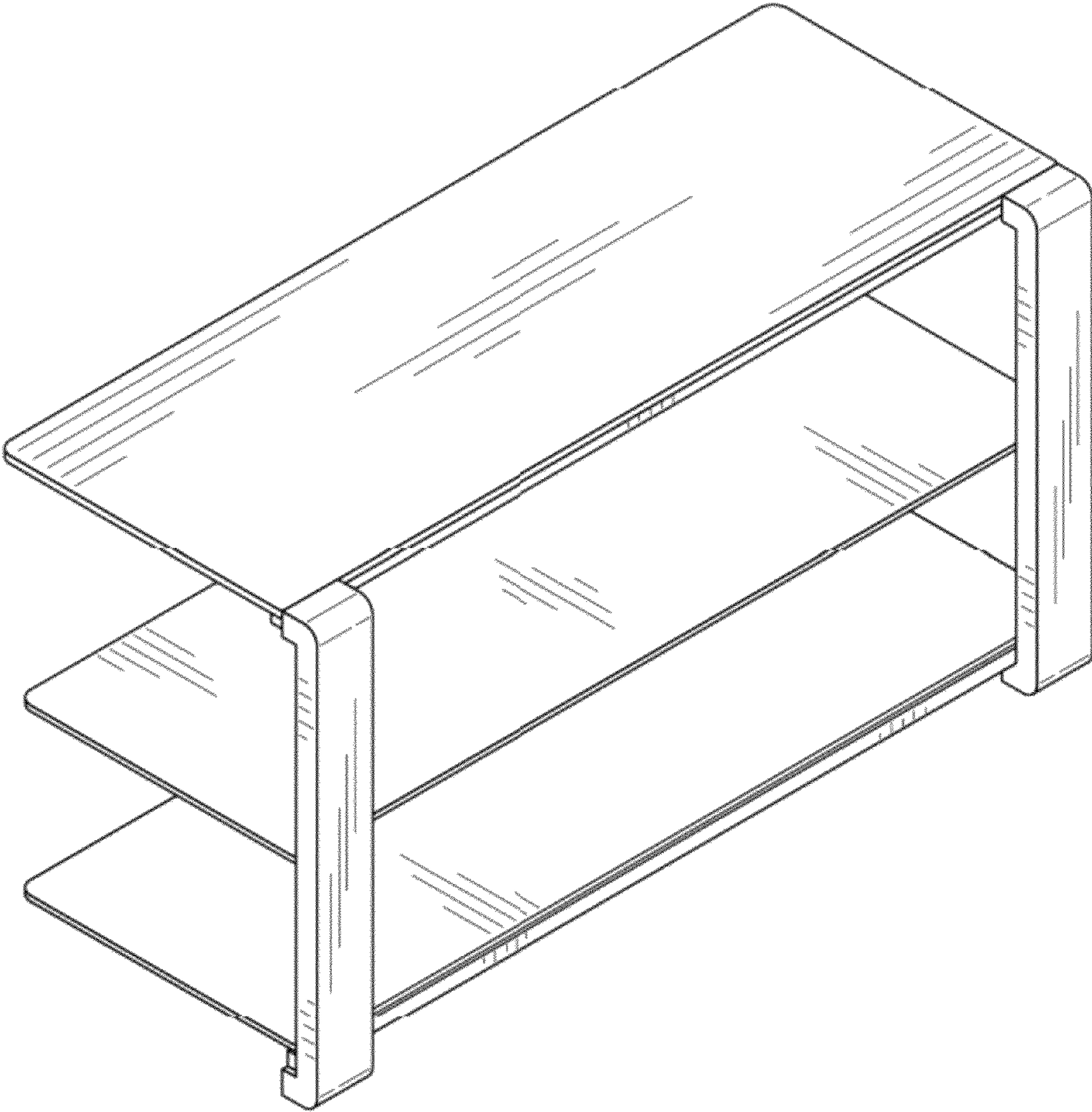


FIG. 6

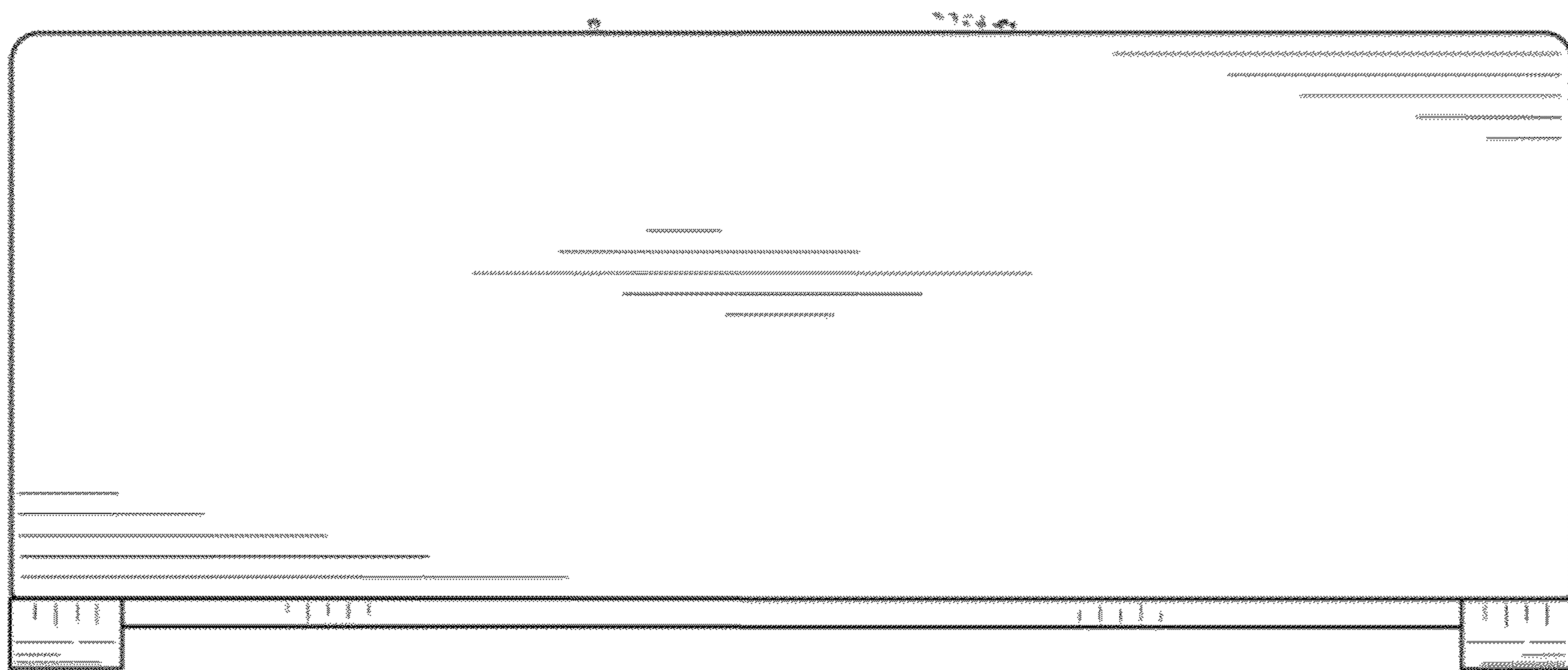


FIG. 7