



US00D662726S

(12) **United States Design Patent**
Kopp et al.

(10) **Patent No.:** **US D662,726 S**

(45) **Date of Patent:** **** Jul. 3, 2012**

(54) **STORAGE CONTAINER**

(75) Inventors: **Robert G. Kopp**, Elburn, IL (US);
Stephen Whitehead, Elgin, IL (US)

(73) Assignee: **Suncast Technologies, LLC**, Palm
Beach Gardens, FL (US)

(**) Term: **14 Years**

(21) Appl. No.: **29/380,703**

(22) Filed: **Dec. 9, 2010**

(51) **LOC (9) Cl.** **06-04**

(52) **U.S. Cl.** **D6/440**

(58) **Field of Classification Search** D6/432,
D6/436, 437, 438, 439, 440, 445-448, 336;
312/138.1, 204, 237, 257.1, 290, 327; D3/272,
D3/273, 284, 294

See application file for complete search history.

(56) **References Cited**

U.S. PATENT DOCUMENTS

D161,172 S *	12/1950	Greene	D6/338
D204,401 S *	4/1966	McCartney	D6/440
4,659,154 A *	4/1987	Jenkins	312/290
D307,985 S *	5/1990	Hoff	D6/440

D321,613 S *	11/1991	Gandy	D6/440
D349,616 S *	8/1994	Keller	D6/440
D381,223 S *	7/1997	Brunner et al.	D6/440
D389,646 S *	1/1998	Sankey et al.	D3/294
D407,237 S *	3/1999	Stangl	D6/440
D429,418 S *	8/2000	Tisbo et al.	D3/272
D593,773 S *	6/2009	Richardson	D6/440

* cited by examiner

Primary Examiner — Mimoso De

(74) *Attorney, Agent, or Firm* — McHale & Slavin, P.A.

(57) **CLAIM**

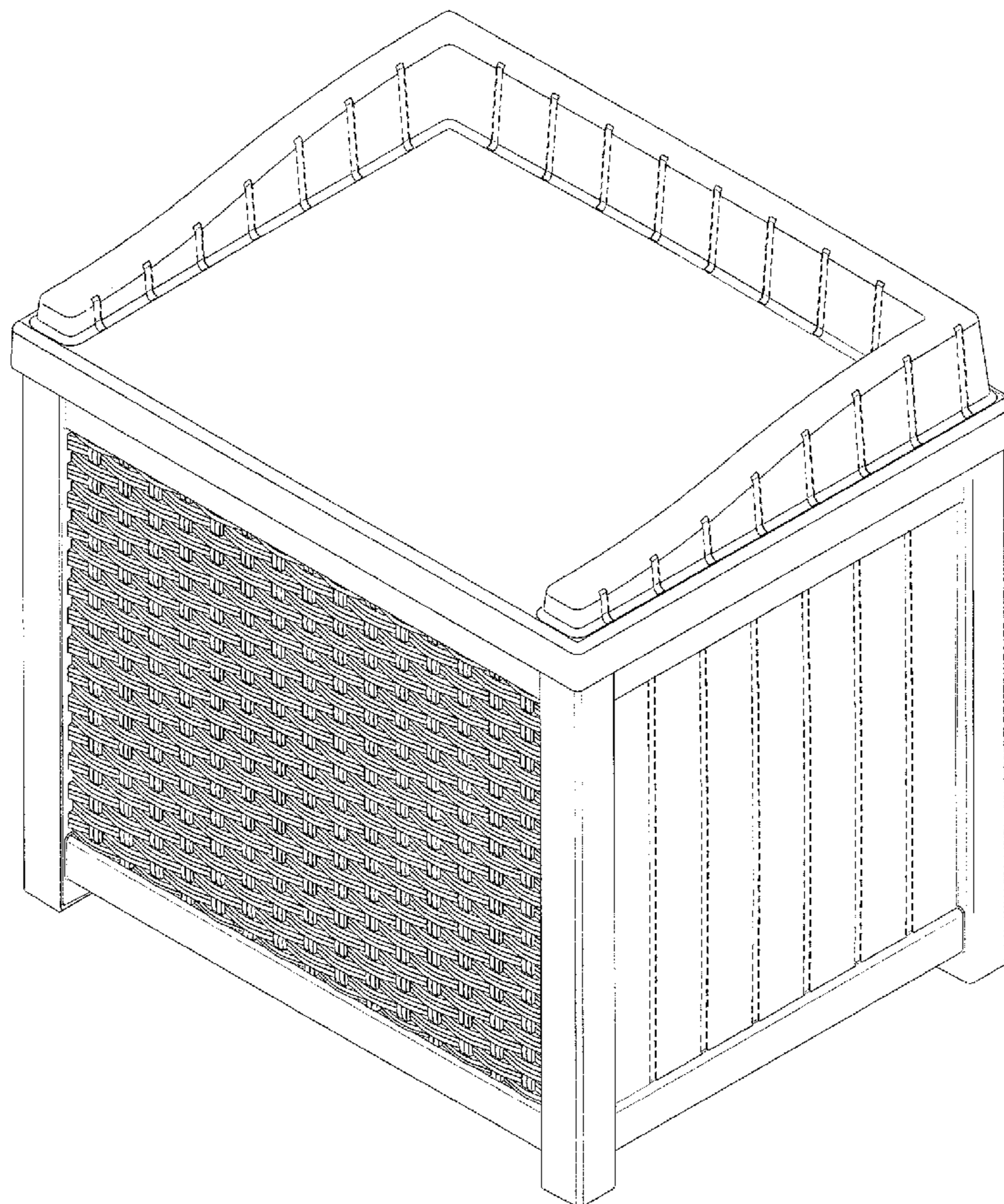
The ornamental design for a storage container, as shown and described.

DESCRIPTION

FIG. 1 is a front perspective view of the storage container of the instant invention;
FIG. 2 is a front view thereof;
FIG. 3 is a right side view thereof;
FIG. 4 is a left side view thereof; and,
FIG. 5 is a top view thereof.

The portions of the Figures shown in broken lines are for illustrative purposes only and form no part of the claimed design.

1 Claim, 5 Drawing Sheets



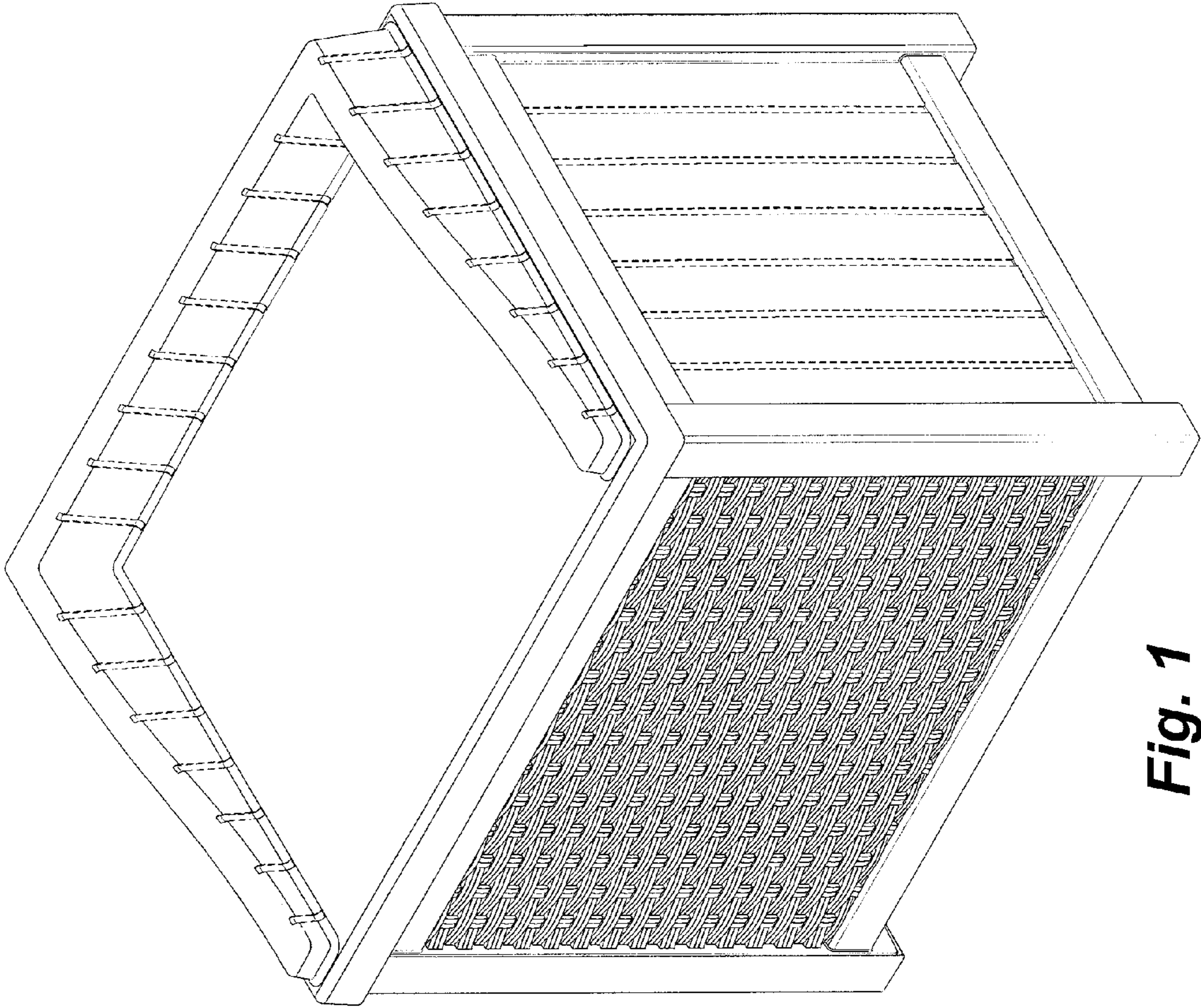


Fig. 1

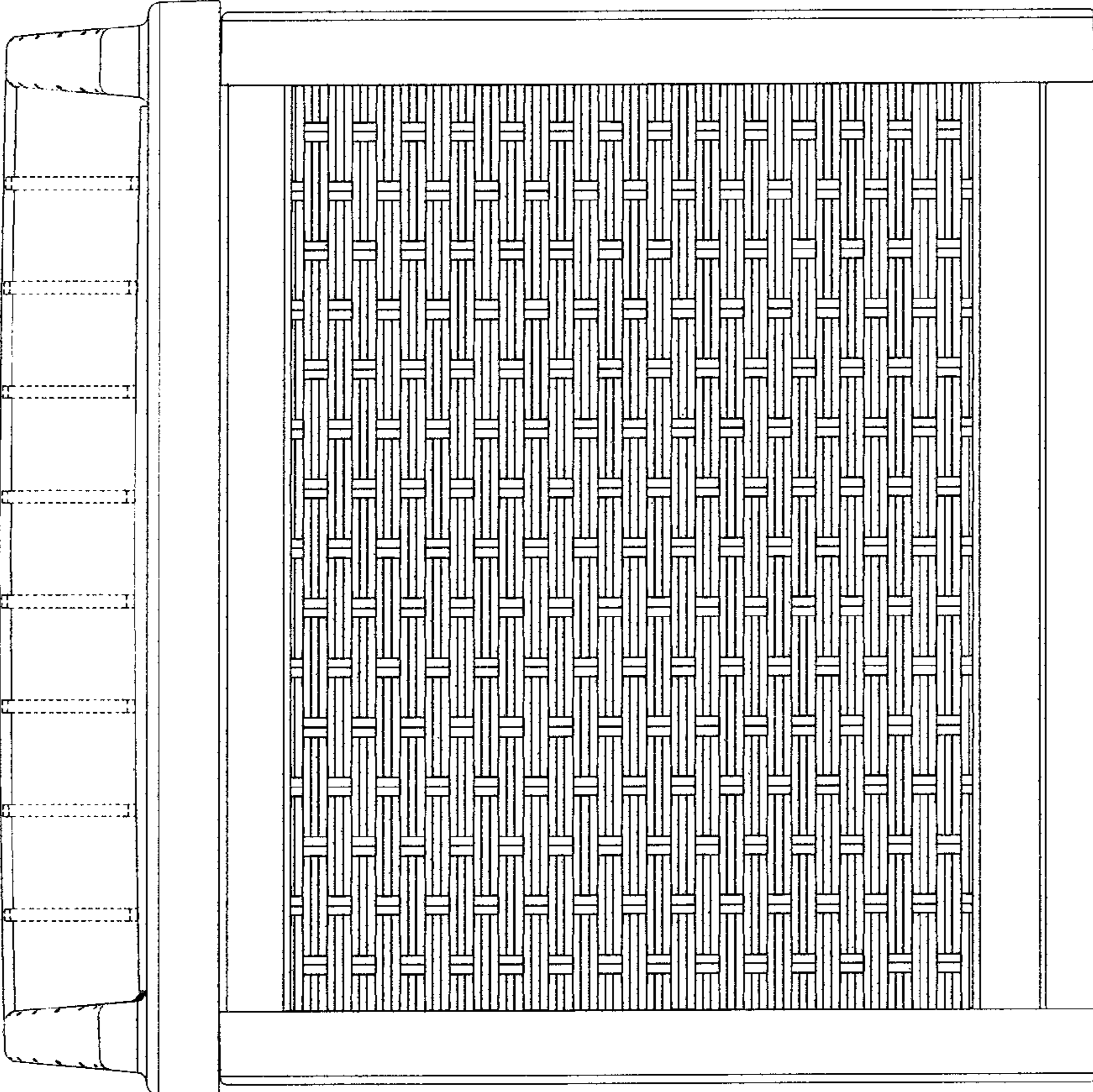


Fig. 2

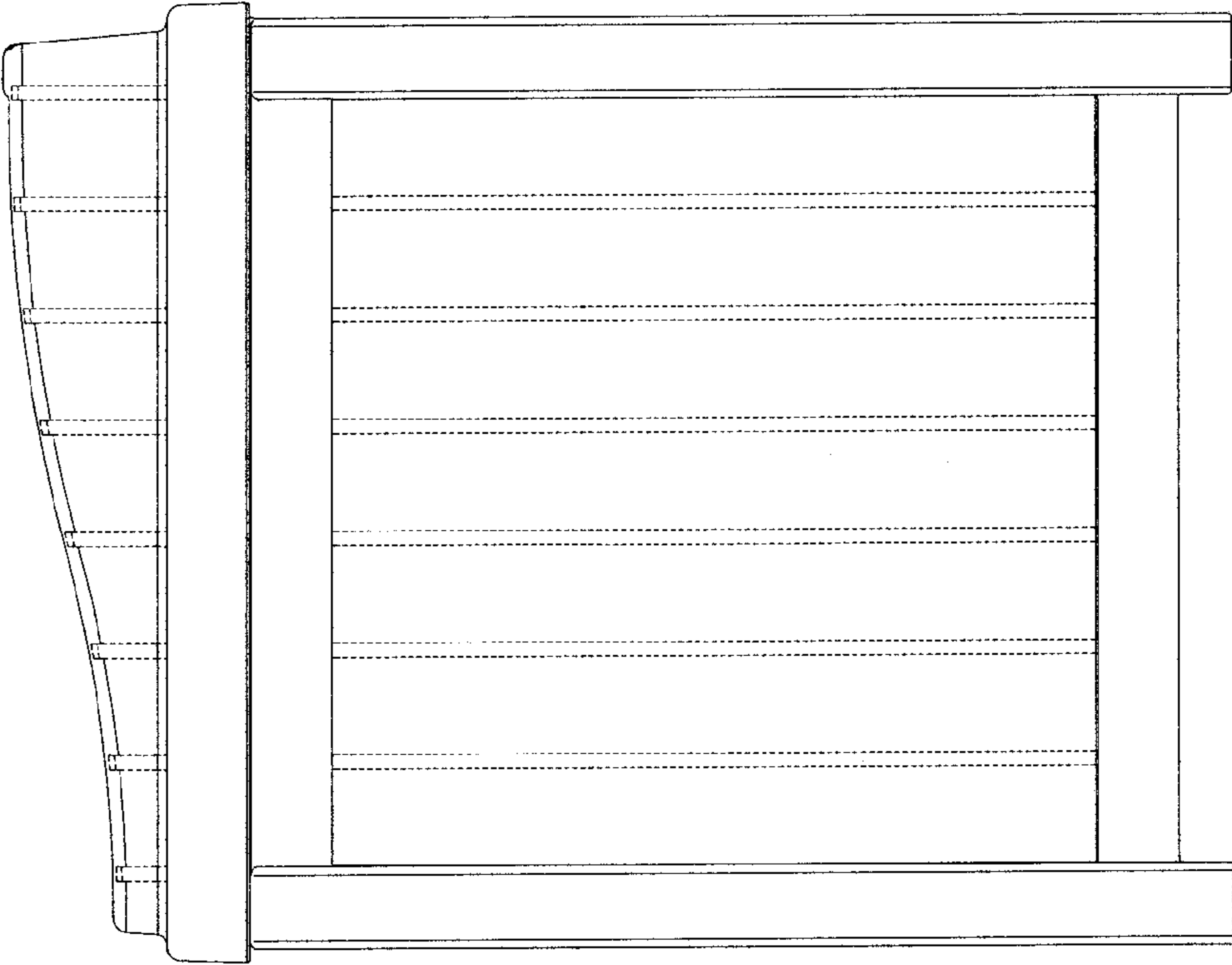


Fig. 3

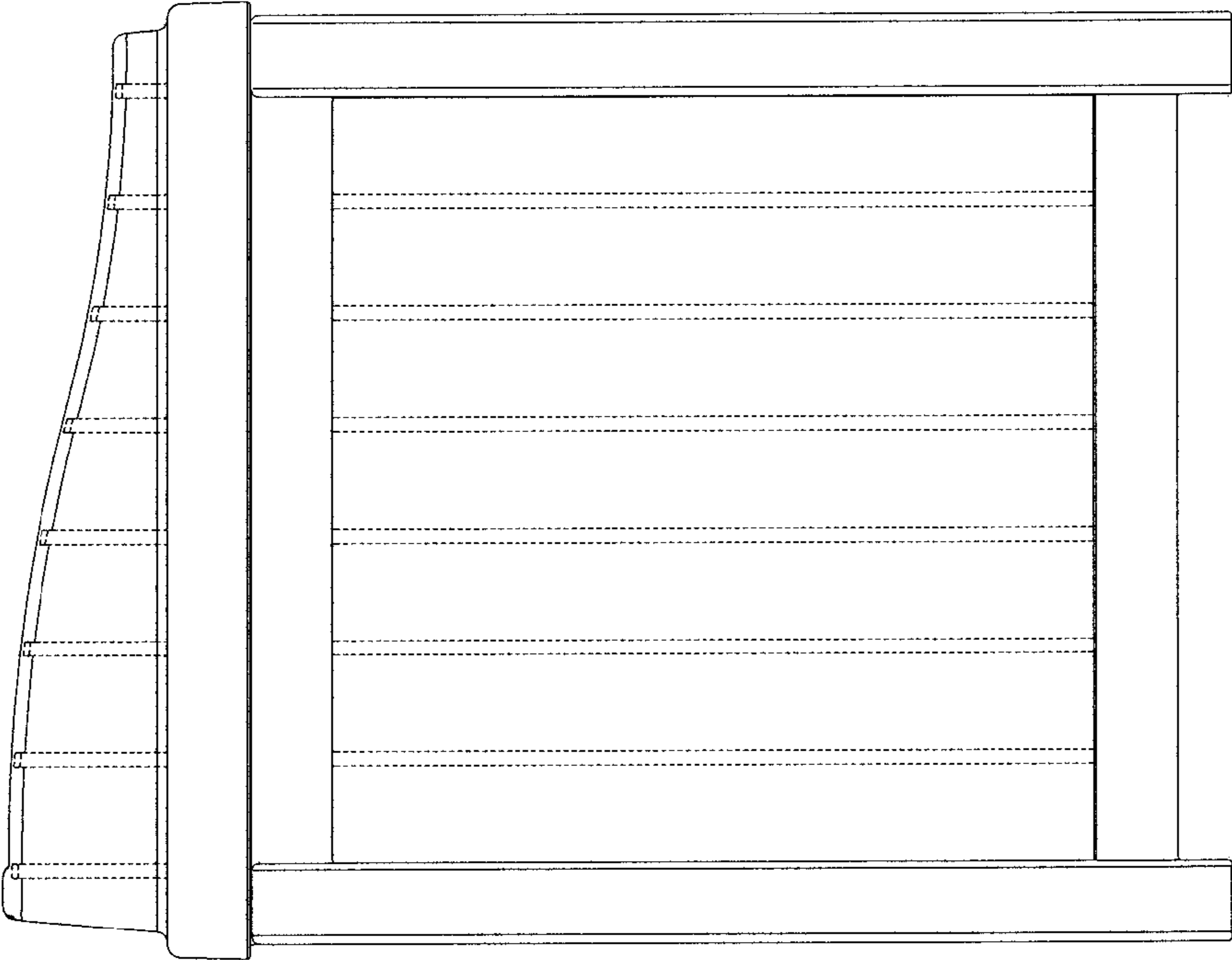


Fig. 4

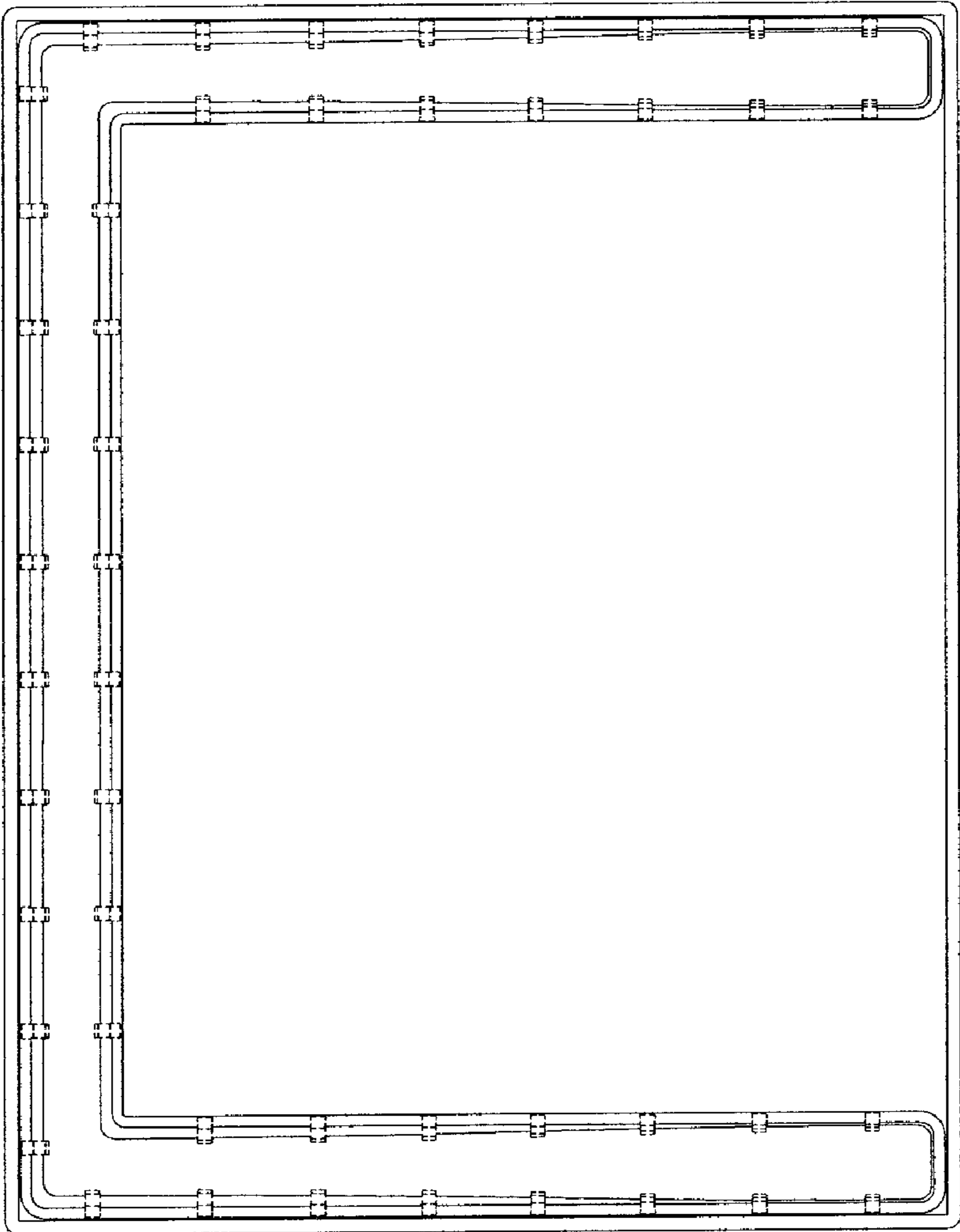


Fig. 5