

US00D662724S

(12) **United States Design Patent**
Kemppainen

(10) **Patent No.:** **US D662,724 S**

(45) **Date of Patent:** **** Jul. 3, 2012**

(54) **FURNITURE ARTICLE**

(75) **Inventor:** **Peter W. Kemppainen**, Georgetown, IN
(US)

(73) **Assignee:** **DMI Management, Inc.**, Louisville, KY
(US)

(**) **Term:** **14 Years**

(21) **Appl. No.:** **29/393,138**

(22) **Filed:** **May 31, 2011**

(51) **LOC (9) Cl.** **06-02**

(52) **U.S. Cl.** **D6/393**

(58) **Field of Classification Search** D6/382,
D6/383, 389, 393-395, 505-508, 503; 5/53.1,
5/279.1, 280, 281, 907; D21/520

See application file for complete search history.

(56) **References Cited**

U.S. PATENT DOCUMENTS

D445,592 S *	7/2001	O'Hare et al.	D6/393
D560,385 S *	1/2008	Domack et al.	D6/393
D589,717 S *	4/2009	Domack et al.	D6/393
D611,724 S *	3/2010	Everson	D6/393

* cited by examiner

Primary Examiner — Janice Seeger

(74) *Attorney, Agent, or Firm* — Frost Brown Todd LLC

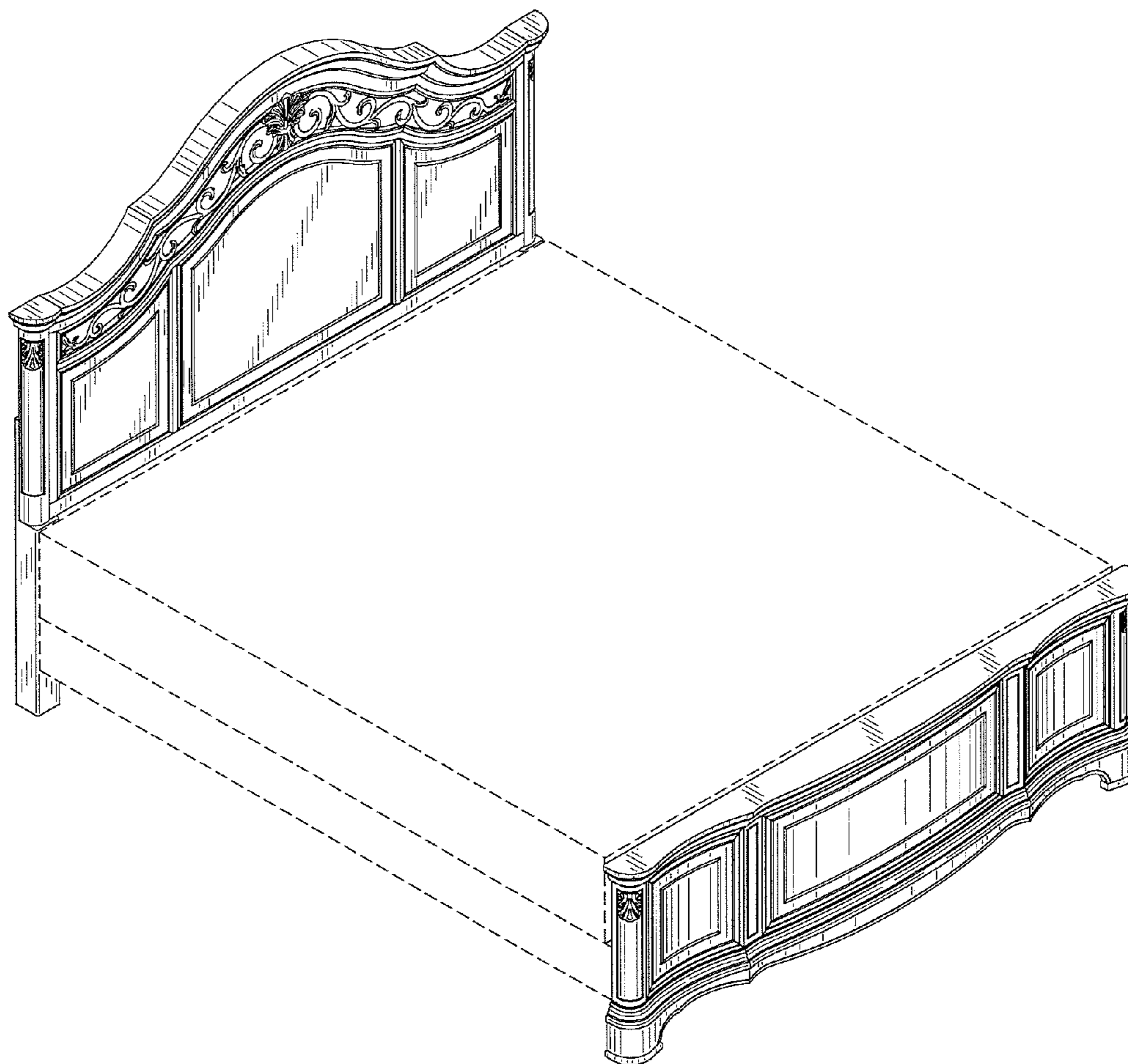
(57) **CLAIM**

The ornamental design for a furniture article, as shown and described.

DESCRIPTION

FIG. 1 is a top perspective view of a furniture article, showing our new design;
FIG. 2 is a front elevation view thereof;
FIG. 3 is a right elevation view thereof;
FIG. 4 is a left elevation view thereof; and,
FIG. 5 is a top plan view thereof.
The mattress and side rails shown in broken lines are unclaimed environment, and form no part of the claimed design.

1 Claim, 5 Drawing Sheets



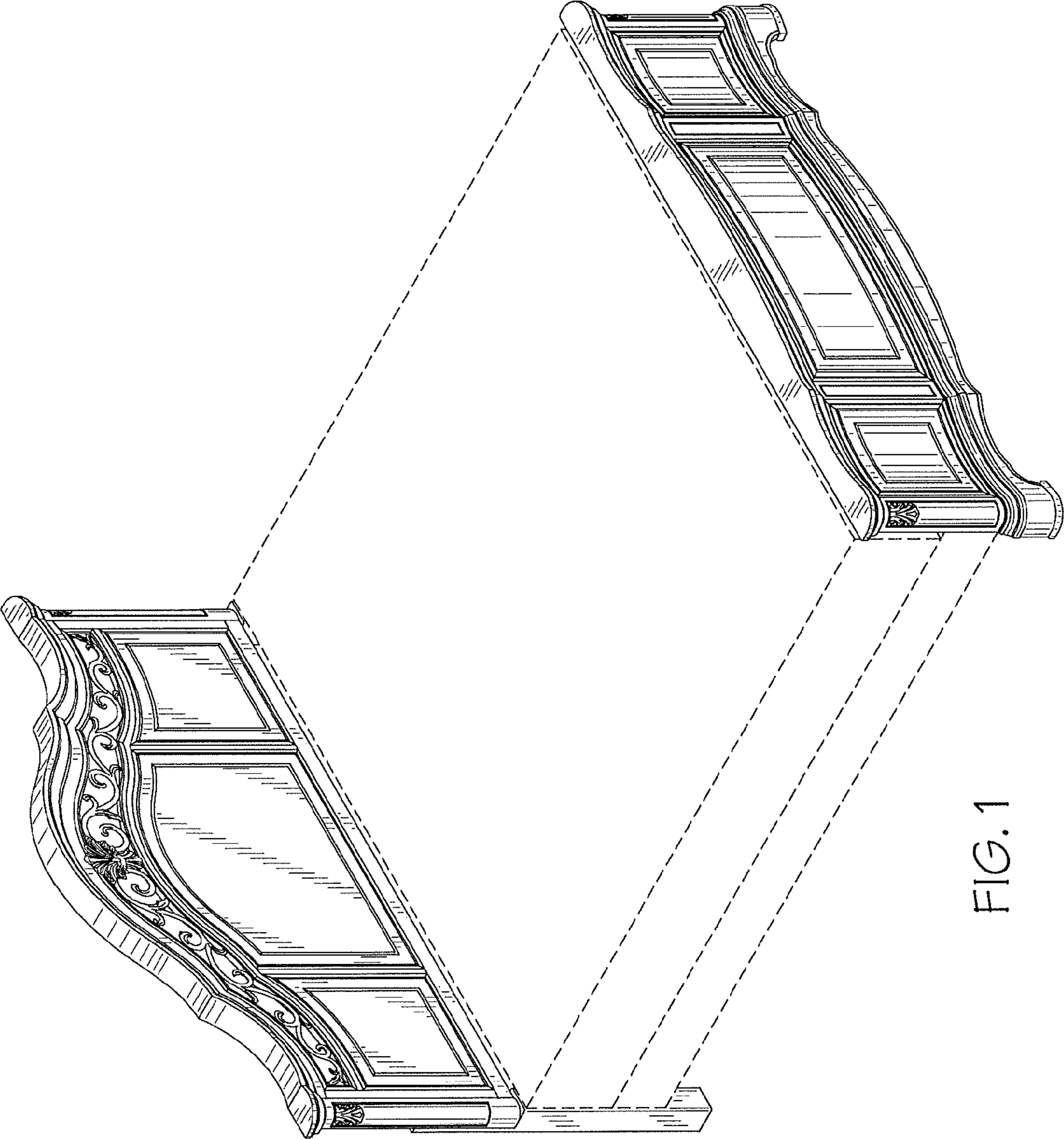


FIG. 1

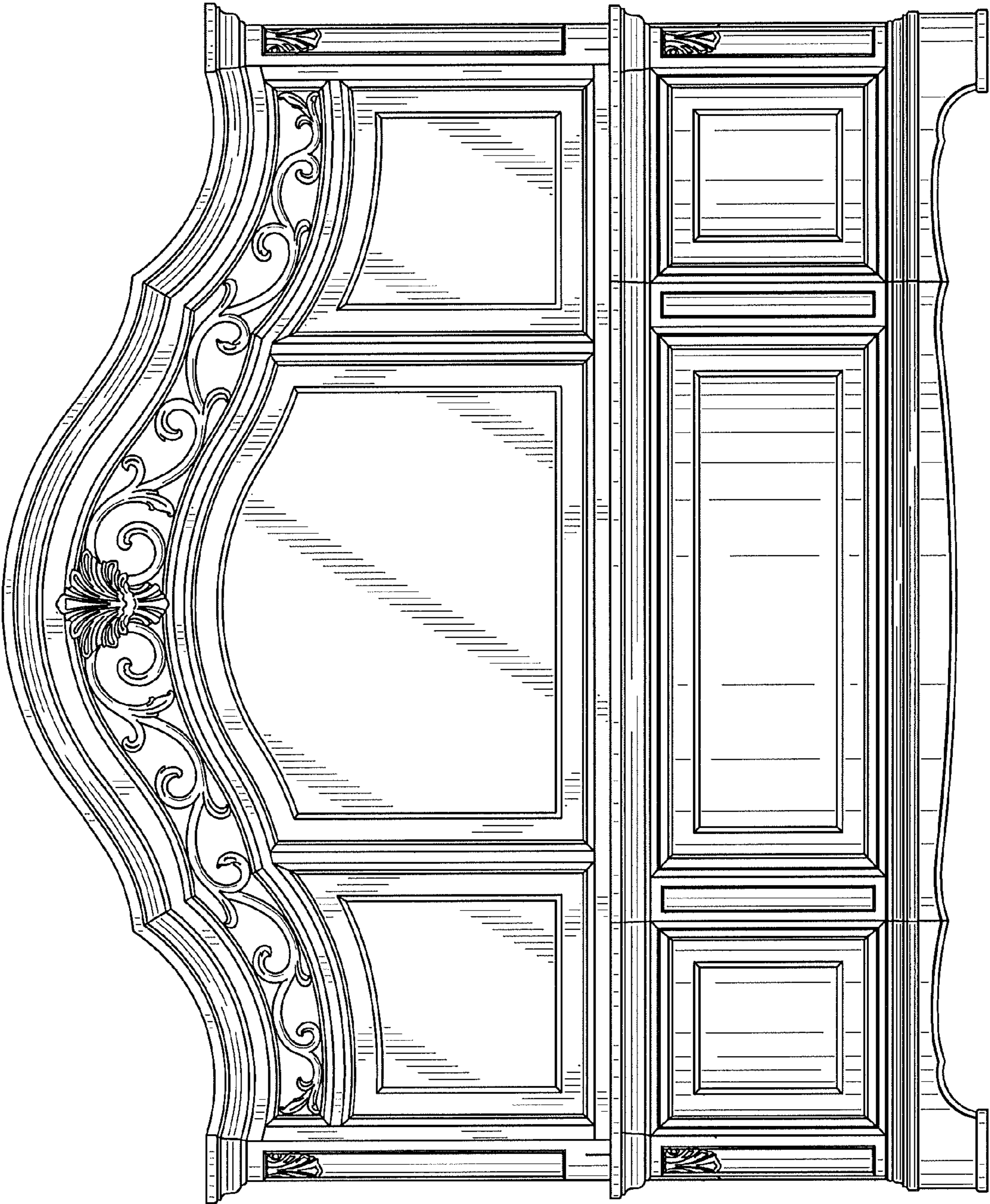


FIG. 2

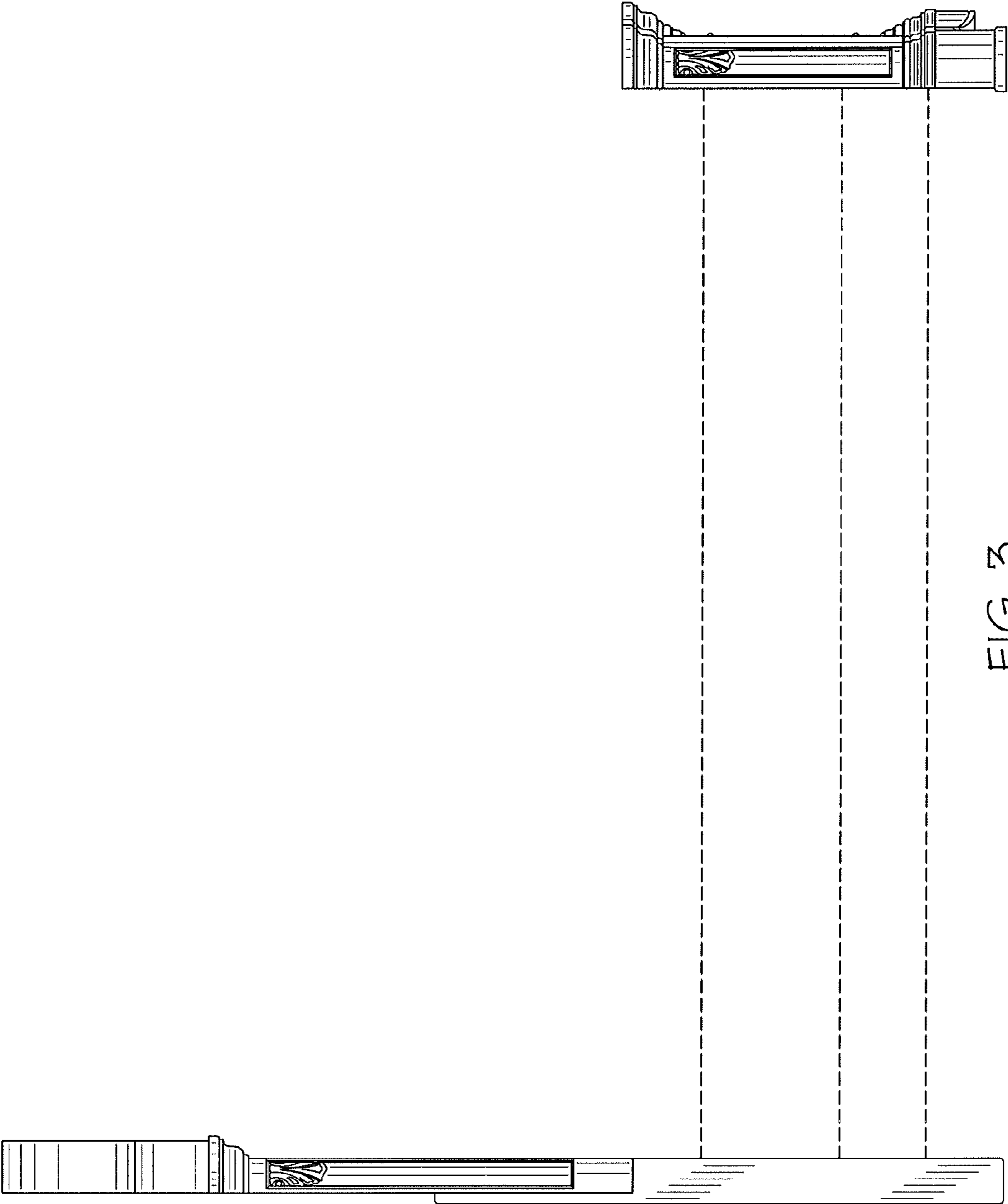


FIG. 3

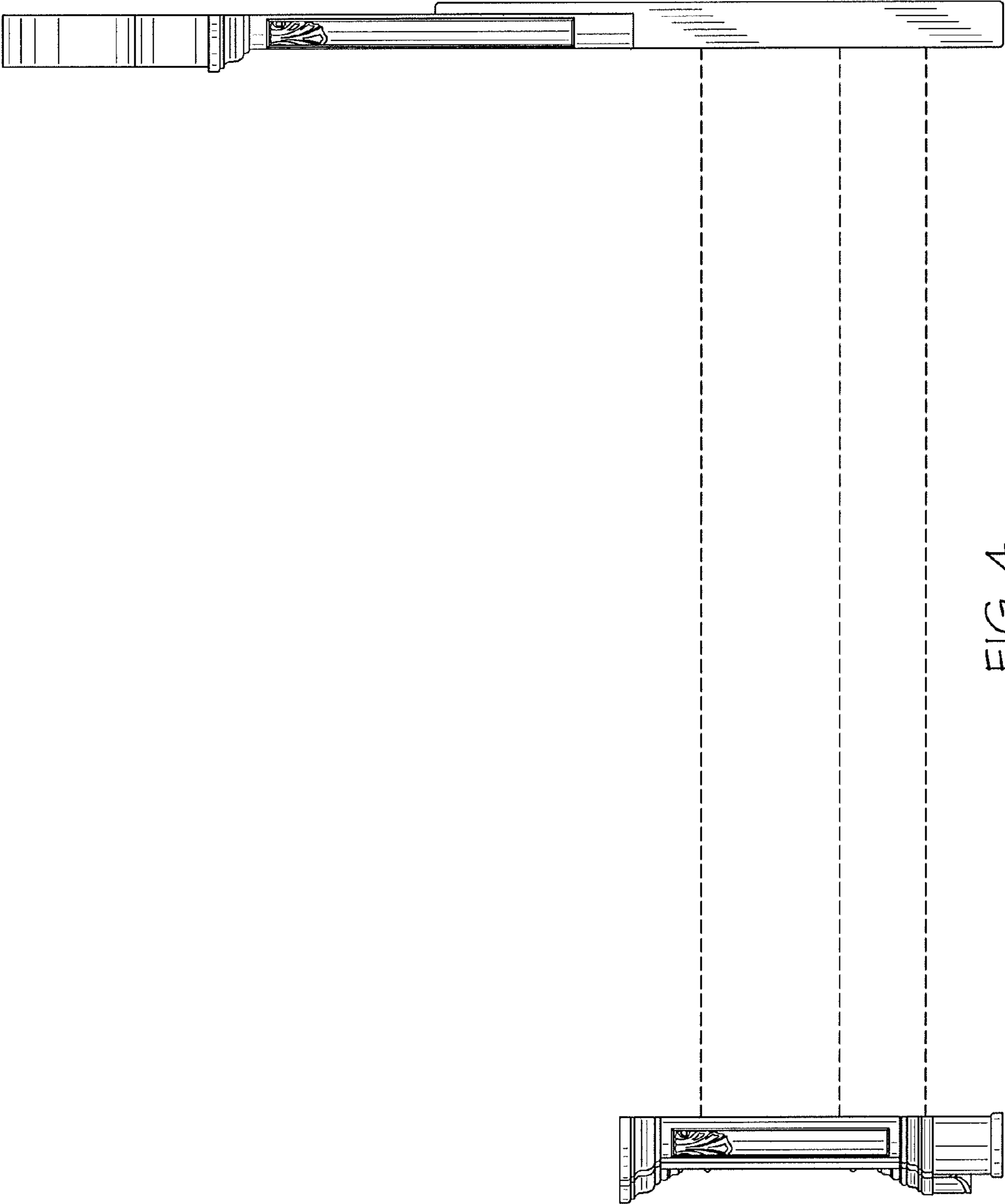


FIG. 4

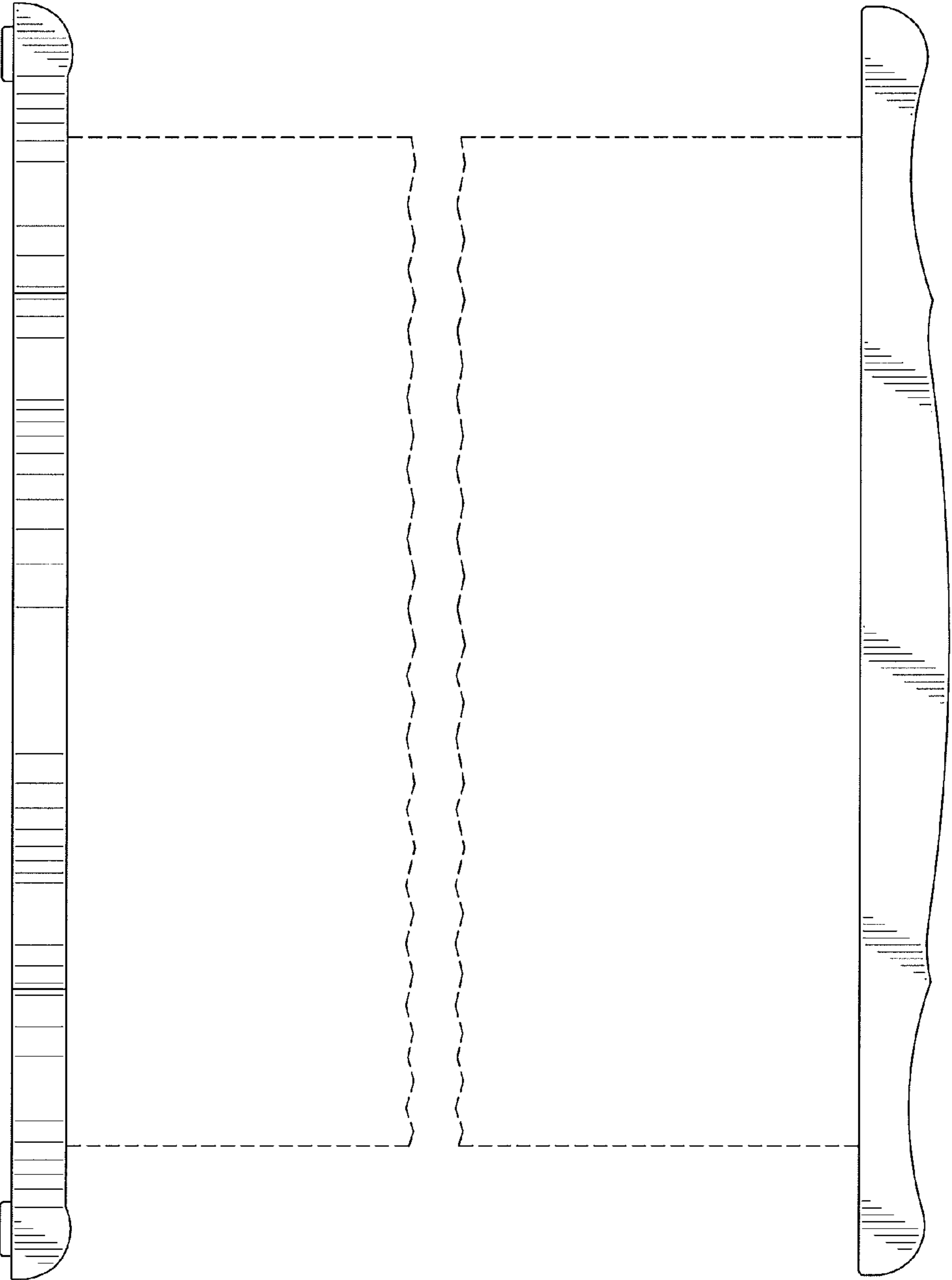


FIG. 5