



US00D662723S

(12) **United States Design Patent**
Hoff et al.

(10) **Patent No.:** **US D662,723 S**
(45) **Date of Patent:** **** Jul. 3, 2012**

(54) **BED**

(75) Inventors: **Phillip M. Hoff**, Trempealeau, WI (US);
Harry Janke, Trempealeau, WI (US);
Brian M. Medley, Onalaska, WI (US)

(73) Assignee: **Ashley Furniture Industries, Inc.**,
Arcadia, WI (US)

(**) Term: **14 Years**

(21) Appl. No.: **29/384,332**

(22) Filed: **Jan. 29, 2011**

(51) **LOC (9) Cl.** **06-02**

(52) **U.S. Cl.** **D6/393**

(58) **Field of Classification Search** D6/382-384,
D6/392-395, 505-509, 388; 5/53.1, 907,
5/279.1, 280, 281

See application file for complete search history.

(56) **References Cited**

U.S. PATENT DOCUMENTS

1,297,144	A *	3/1919	Giordano	5/2.1
D340,147	S	10/1993	Black		
D353,954	S	1/1995	Bowman		
D368,178	S	3/1996	Walters, III et al.		
D376,283	S	12/1996	James		
D387,919	S	12/1997	Keller et al.		
D390,389	S	2/1998	Walters, III et al.		
D394,167	S	5/1998	Estape et al.		
D395,964	S *	7/1998	Bell, Jr.	D6/384
D397,881	S *	9/1998	Velidedeoglu et al.	D6/384
D400,377	S	11/1998	Hazen et al.		
D400,378	S	11/1998	Hazen et al.		
D400,379	S	11/1998	Hazen et al.		
D404,217	S	1/1999	Zaidman et al.		

(Continued)

OTHER PUBLICATIONS

A.R.T. Furniture Co., photograph of unknown bed, prior to Oct. 12,
2007, 1 page.

(Continued)

Primary Examiner — Janice Seeger

(74) *Attorney, Agent, or Firm* — Patterson Thunte
Christensen Pedersen, P.A.

(57) **CLAIM**

We claim the ornamental design for a bed, as shown.

DESCRIPTION

FIG. 1 is an elevational view of a headboard of a bed according to the invention.

FIG. 2 is a front perspective view of a bed according to a first embodiment of the invention. The view from the adjacent front corner being a mirror image thereto.

FIG. 3 is a front perspective view of a bed according to a second embodiment of the invention. The view from the adjacent front corner being a mirror image thereto.

FIG. 4 is a front elevational view of the footboard of a bed according to the first embodiment of the invention.

FIG. 5 is a front elevational view of the footboard of a bed according to the second embodiment of the invention.

FIG. 6 is a side elevational view of the bed according to both embodiments of the invention. The view from the opposite side being a mirror image thereto.

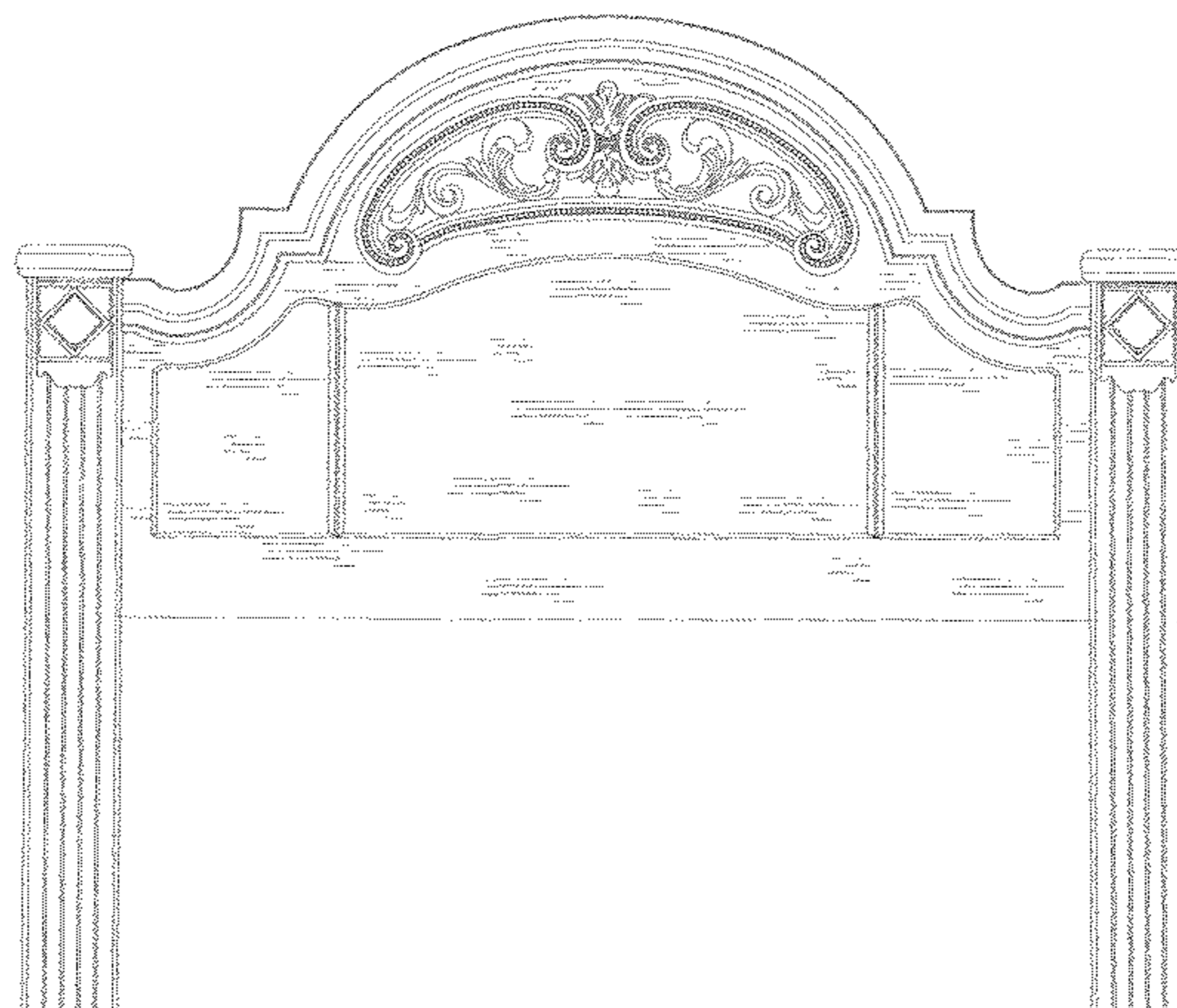
FIG. 7 is a plan view of a bed according to the first embodiment of the invention; and,

FIG. 8 is a plan view of a bed according to the second embodiment of the invention.

The headboard and footboard are shown separately for clarity of disclosure.

The broken lines on the bed in the figures are for illustrative purposes only and form no part of the claimed invention. The backside of the footboard and the backside of the headboard of the bed are not shown and form no part of the claimed invention.

1 Claim, 8 Drawing Sheets



U.S. PATENT DOCUMENTS

D405,973 S 2/1999 Estape et al.
 D405,974 S 2/1999 Estape et al.
 D405,975 S 2/1999 Keller et al.
 D441,980 S 5/2001 McDaniel et al.
 D443,334 S 6/2001 Duncan
 D443,432 S 6/2001 Vaaler
 D443,433 S 6/2001 McDaniel et al.
 D443,445 S 6/2001 O'Hare et al.
 D443,446 S 6/2001 O'Hare et al.
 D449,178 S 10/2001 Wanek et al.
 D458,472 S 6/2002 Risdon
 D459,608 S 7/2002 O'Hare et al.
 D460,288 S 7/2002 Vaaler
 D469,285 S 1/2003 Stanton
 D474,917 S 5/2003 Risdon
 D474,918 S * 5/2003 Tobin, Jr. D6/393
 D475,862 S 6/2003 McDaniel et al.
 D481,219 S 10/2003 Paus
 D487,199 S 3/2004 Schmitt
 D487,363 S 3/2004 Schmitt
 D492,501 S 7/2004 Domack
 D492,502 S 7/2004 Domack
 D492,855 S 7/2004 Wanek et al.
 D494,773 S 8/2004 Domack
 D495,161 S * 8/2004 Cappaert D6/393
 D499,271 S 12/2004 Wanek et al.
 D505,035 S 5/2005 Mohundro
 D507,714 S 7/2005 Mohundro
 D508,178 S 8/2005 Mohundro
 D509,976 S 9/2005 Mohundro
 D509,977 S 9/2005 Mohundro
 D510,828 S 10/2005 Mohundro
 D511,428 S 11/2005 Mohundro
 D514,351 S 2/2006 Berry et al.
 D518,659 S 4/2006 Domack et al.
 D518,660 S 4/2006 Domack et al.
 D518,973 S 4/2006 Domack et al.
 D519,297 S 4/2006 Wanek et al.
 D526,508 S 8/2006 Mohundro
 D527,925 S 9/2006 Domack et al.
 D528,331 S 9/2006 Mohundro
 D535,507 S 1/2007 Schmitt
 D536,558 S 2/2007 Schmitt
 D536,914 S 2/2007 Schmitt
 D543,050 S 5/2007 Mohundro

D547,969 S 8/2007 Domack et al.
 D548,481 S 8/2007 Domack et al.
 D552,372 S 10/2007 Domack et al.
 D552,874 S 10/2007 Everson et al.
 D554,388 S 11/2007 Leigh
 D554,883 S 11/2007 Voorhees et al.
 D560,385 S 1/2008 Domack et al.
 D560,386 S 1/2008 Janke et al.
 D560,923 S 2/2008 Janke et al.
 D564,778 S 3/2008 Juneau
 D565,864 S 4/2008 Domack et al.
 D567,552 S 4/2008 Domack et al.
 D568,076 S 5/2008 Schmitt
 D585,659 S 2/2009 Domack et al.
 D585,660 S 2/2009 Domack et al.
 D589,717 S 4/2009 Domack et al.
 D611,724 S 3/2010 Everson

OTHER PUBLICATIONS

Robb & Stucky Store, photograph of unknown bed, prior to Oct. 12, 2007, 1 page.
 Connoisseur, B326-31-36-46-61-67-98-92, Ashley Furniture Industries, Inc., Product Photography Catalog, vol. 5, Series 1, Spring 2003, p. 67.
 Mathis Brothers store, Unknown photograph of bed, prior to Oct. 12, 2007, 1 page.
 Nebraska Furniture Mart, Unknown photograph of bed, prior to Oct. 12, 2007, 1 page.
 Drake B304-58-56-97-93(2), Ashley Furniture Industries, Inc., Product Photography Catalog, vol. 6, Series 1, 2004, p. 93.
 Photograph of Samuel Lawrence bed, prior to Oct. 12, 2007, 1 page.
 Chateau Frontenac B533-67-64-98-93, Ashley Furniture Industries, Inc., Product Photography Catalog, vol. 5, Series 1, Spring 2003, p. 309.
 Ashley Furniture, B104-57, (2010 or earlier), 1 page.
 Ashley Furniture, B105-57, (2010 or earlier), 1 page.
 Ashley Furniture, B175-57, (2010 or earlier), 1 page.
 Ashley Furniture, B275-57, (2010 or earlier), 1 page.
 Ashley Furniture, B279-57, (2010 or earlier), 1 page.
 Ashley Furniture, B290-57, (2010 or earlier), 1 page.
 Ashley Furniture, B400-57, (2010 or earlier), 1 page.
 Photograph of Unknown Bed, (2010 or earlier), 1 page.

* cited by examiner

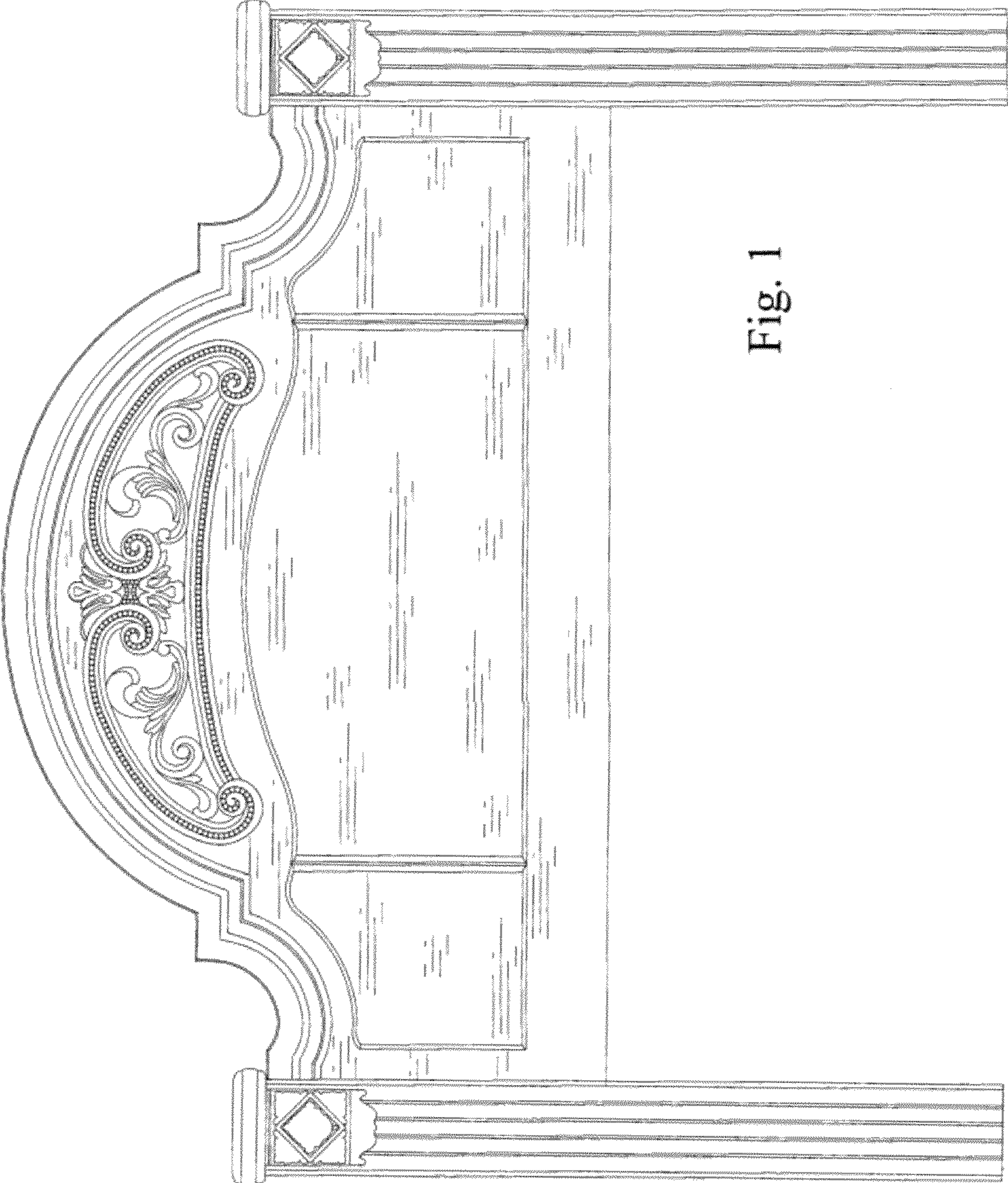


Fig. 1

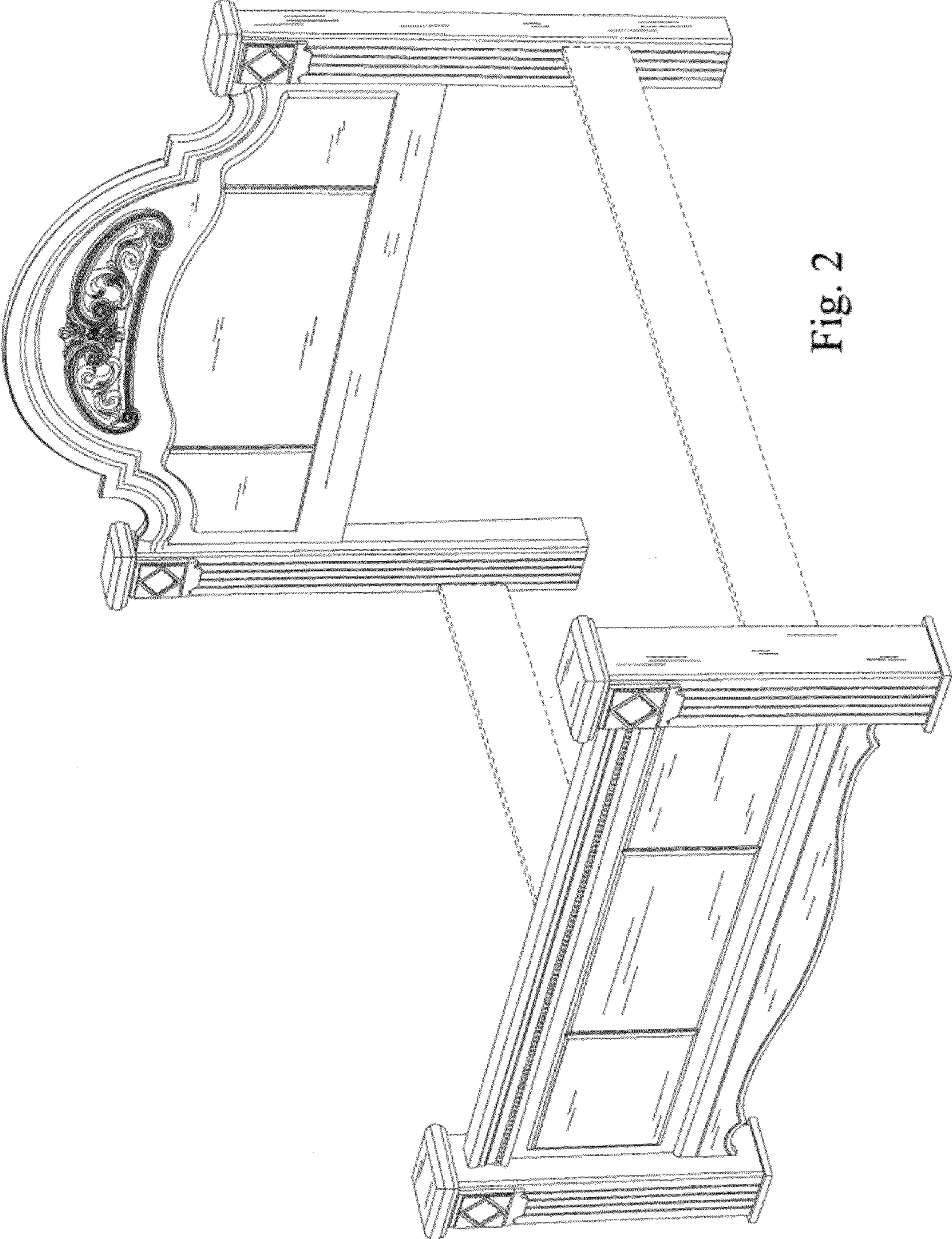


Fig. 2

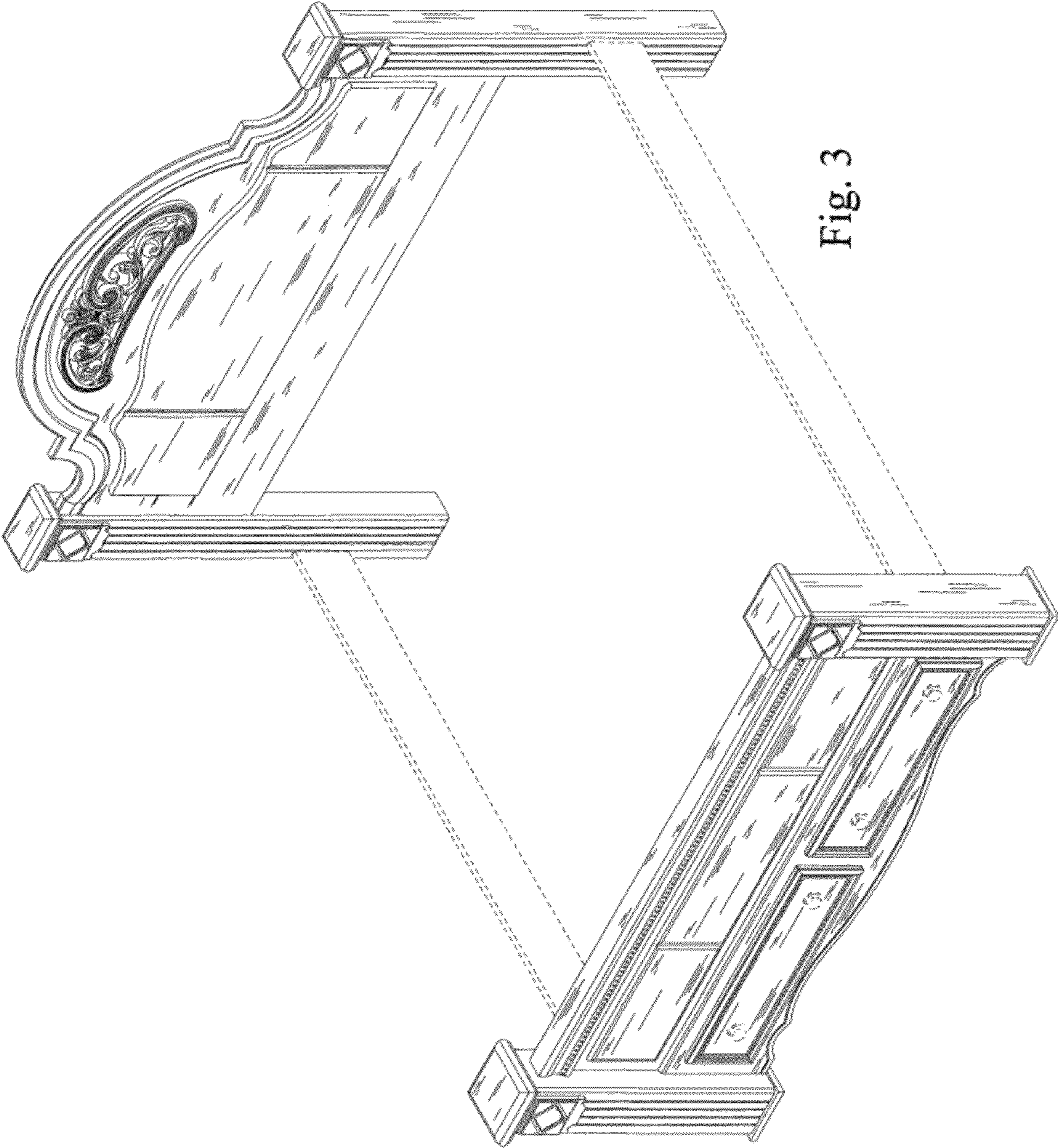


Fig. 3

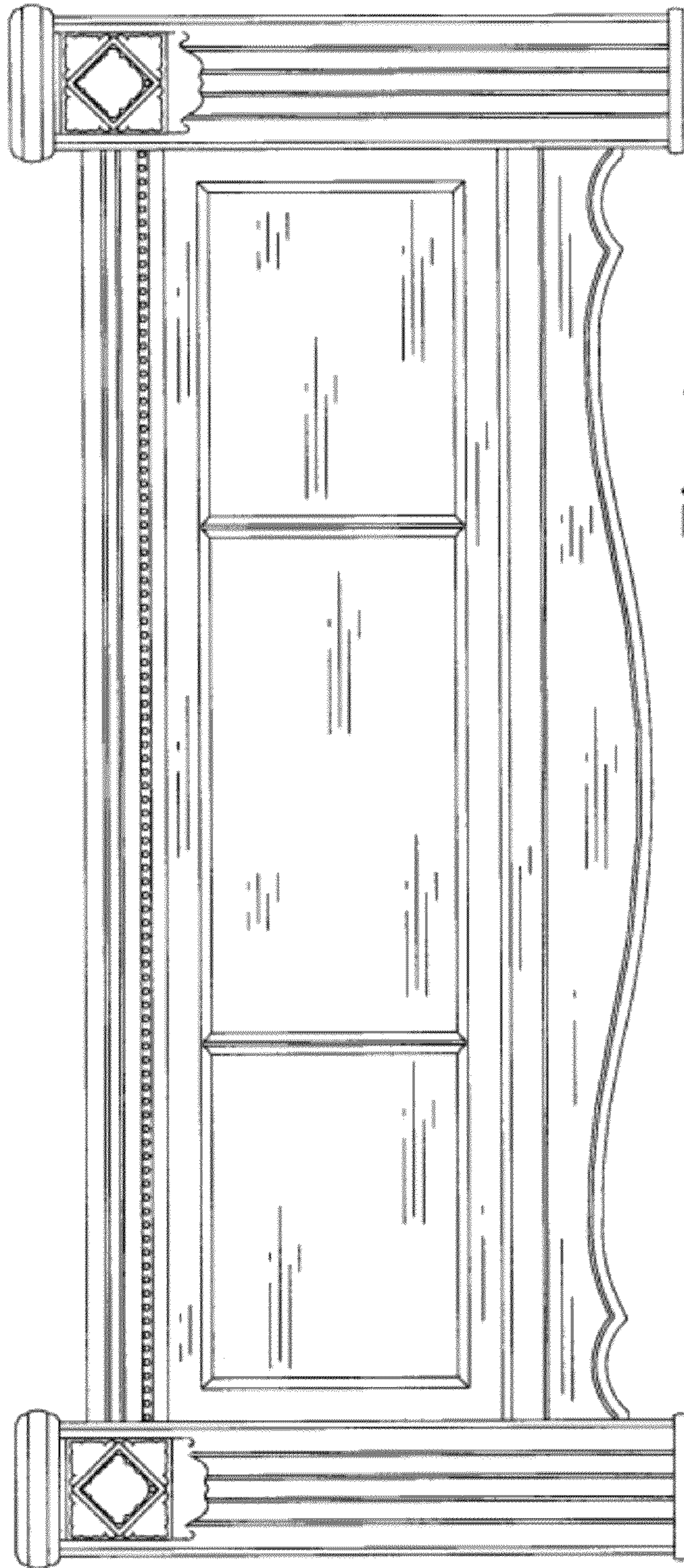


Fig. 4

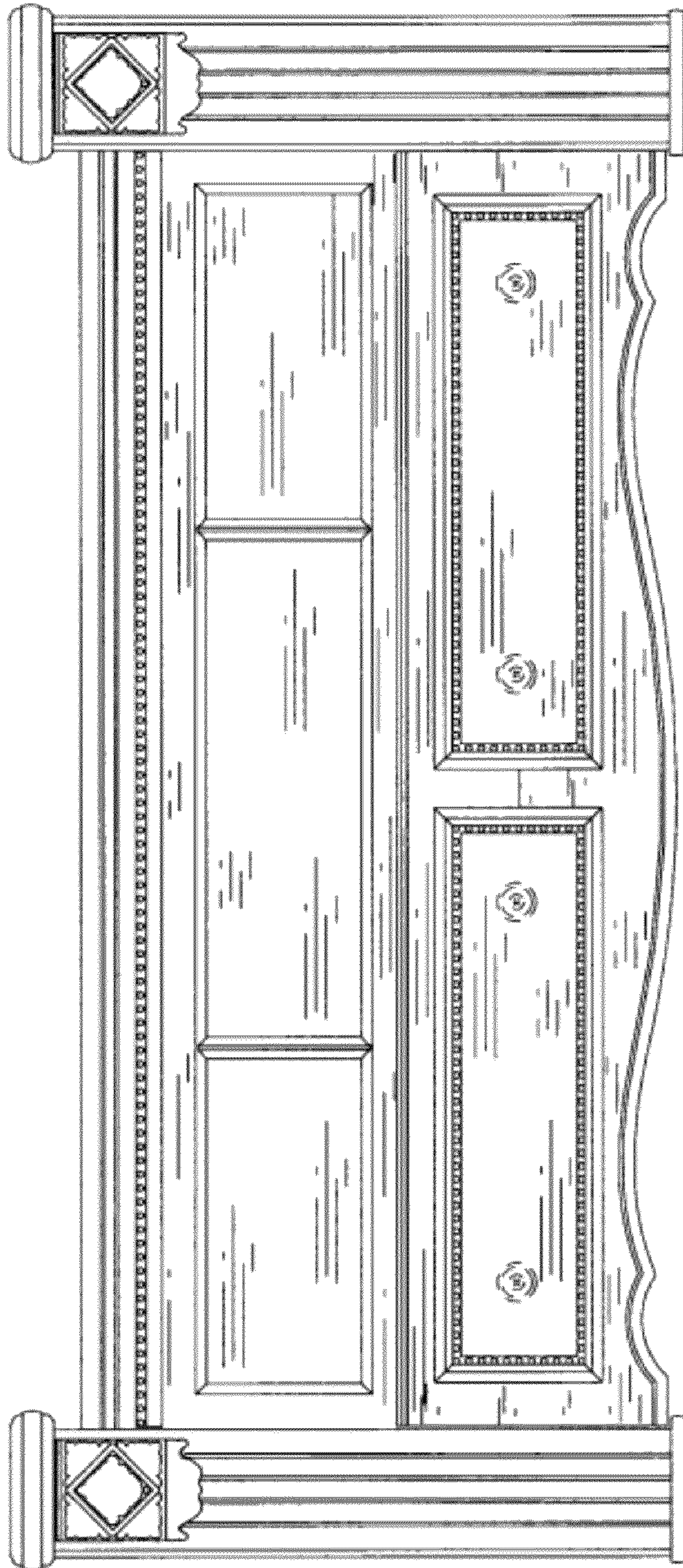


Fig. 5

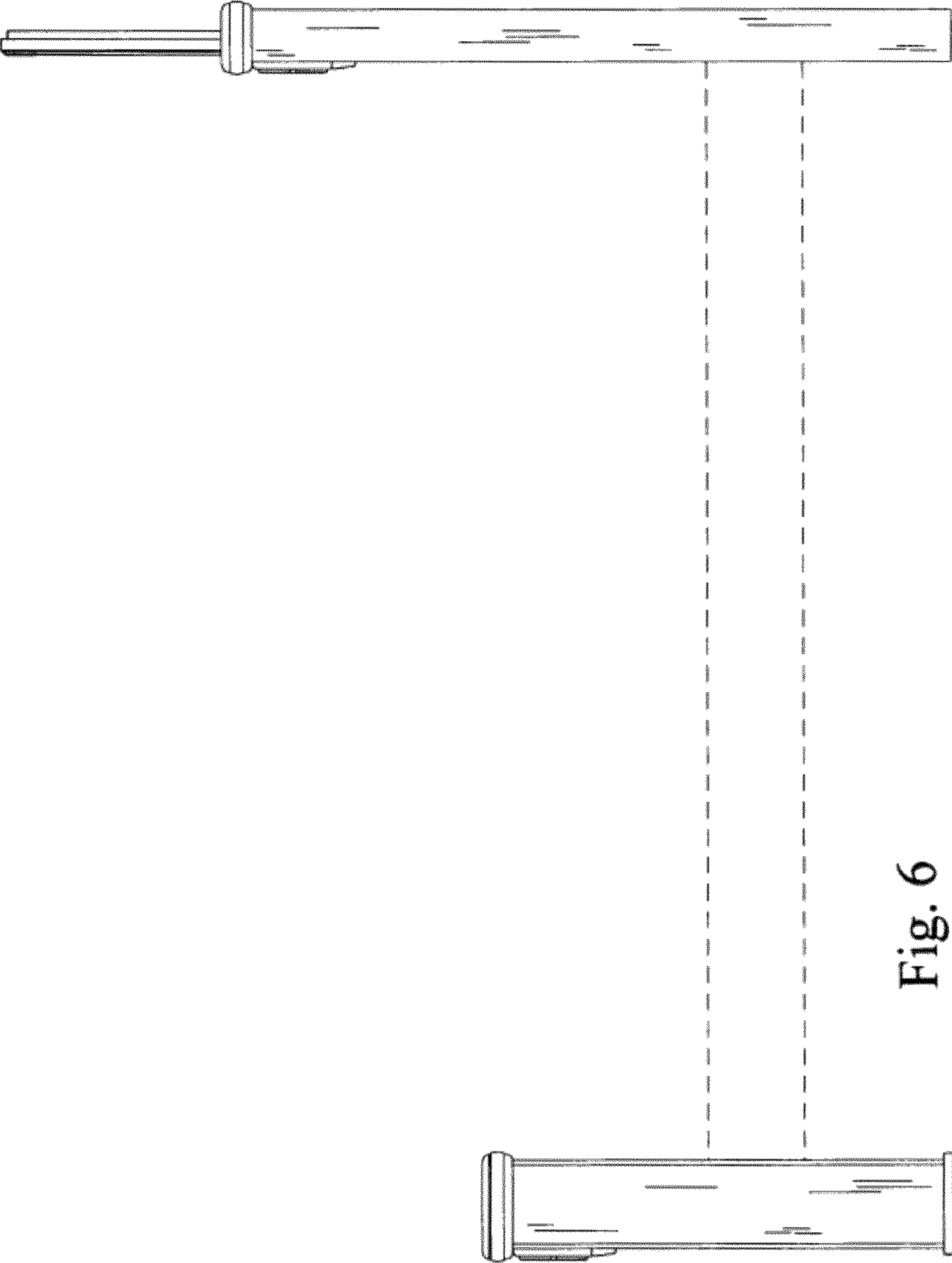


Fig. 6

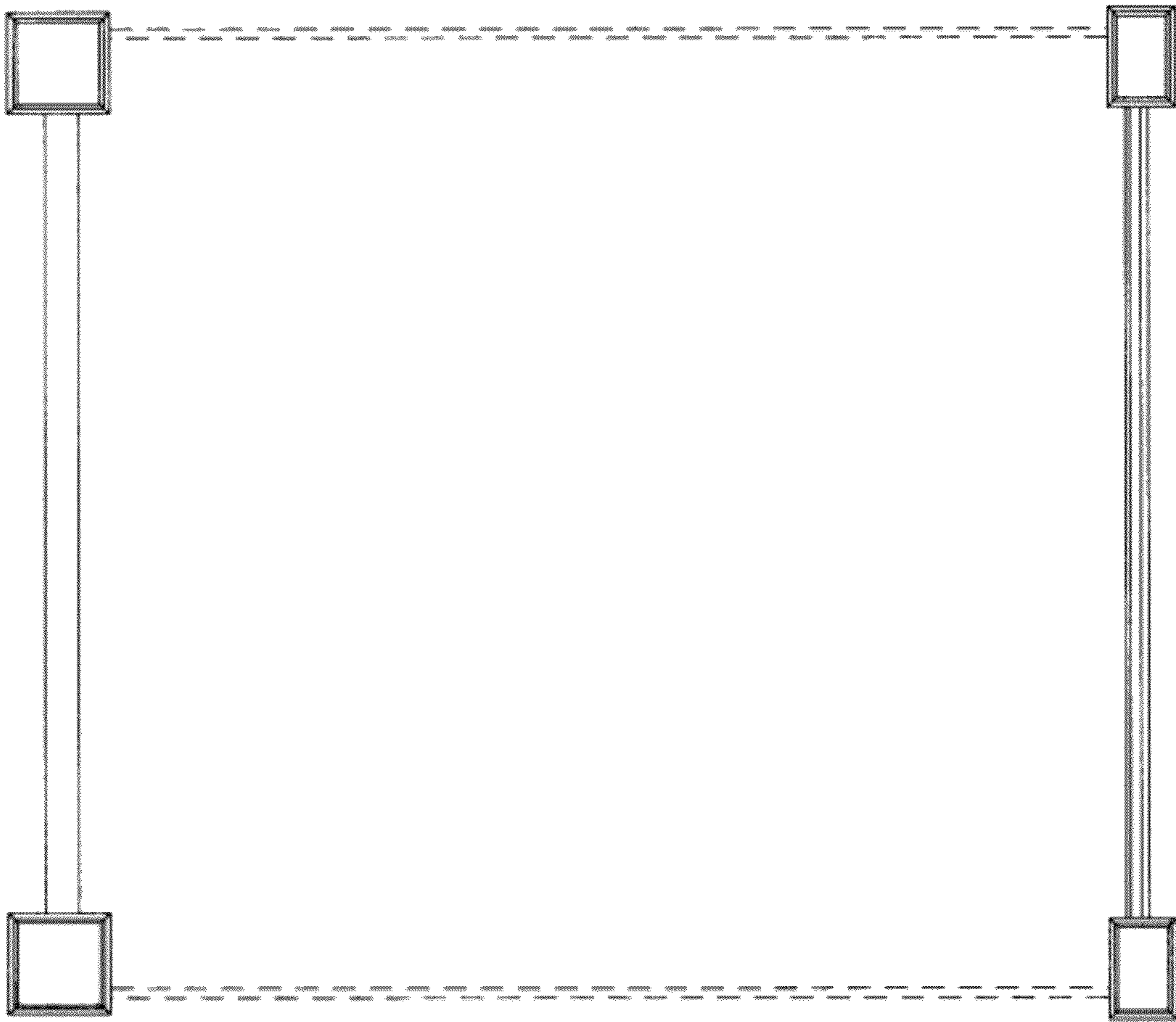


Fig. 7

Fig. 8

