

US00D662722S

(12) **United States Design Patent**  
**Kuo**

(10) **Patent No.:** **US D662,722 S**  
(45) **Date of Patent:** **\*\* Jul. 3, 2012**

- (54) **FOOTBALL HELMET CHAIR**
- (76) Inventor: **Ken Kuo**, Columbus, OH (US)
- (\*\*) Term: **14 Years**
- (21) Appl. No.: **29/389,576**
- (22) Filed: **Apr. 13, 2011**
- (51) **LOC (9) Cl.** ..... **06-01**
- (52) **U.S. Cl.** ..... **D6/358**
- (58) **Field of Classification Search** ..... D6/334–336,  
D6/345, 351, 358, 364, 365, 374, 375, 379,  
D6/450, 500–502; 297/118, 181; D7/515,  
D7/613, 625; D19/75; D30/112  
See application file for complete search history.

D599,625 S \* 9/2009 Lessells ..... D7/625  
 D608,057 S \* 1/2010 Zagar ..... D30/112  
 D616,670 S \* 6/2010 Lau ..... D6/450

\* cited by examiner

*Primary Examiner* — Mimoso De

(74) *Attorney, Agent, or Firm* — Squire, Sanders (US) LLP

(57) **CLAIM**

The ornamental design for a football helmet chair, as shown and described.

**DESCRIPTION**

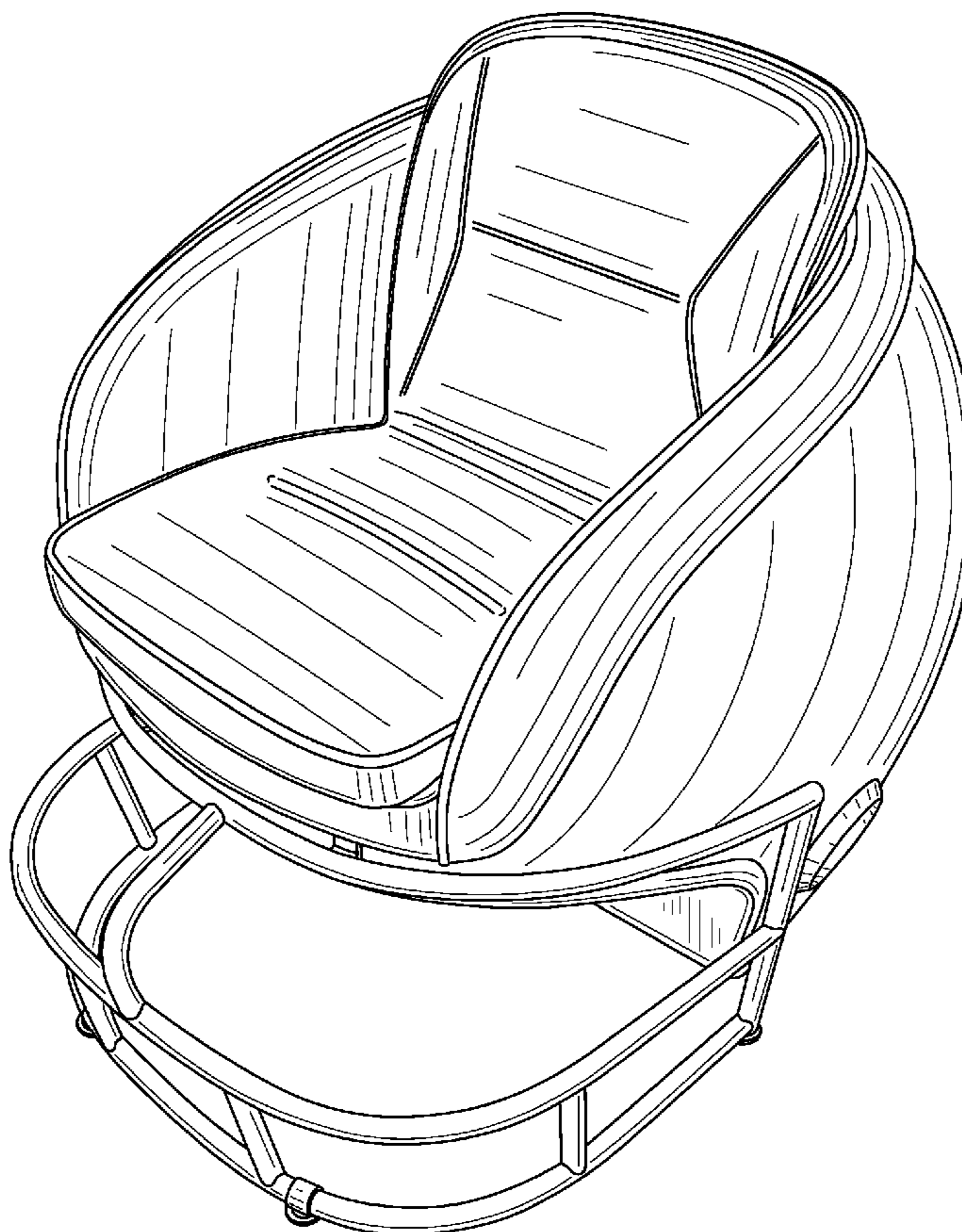
FIG. 1 is a perspective view of the ornamental design of the present invention;  
 FIG. 2 is a front view of the ornamental design of the present invention;  
 FIG. 3 is a back view of the ornamental design of the present invention;  
 FIG. 4 is a right side view of the ornamental design of the present invention;  
 FIG. 5 is a left side view of the ornamental design of the present invention;  
 FIG. 6 is a top view of the ornamental design of the present invention; and,  
 FIG. 7 is a bottom view of the ornamental design of the present invention.

(56) **References Cited**

U.S. PATENT DOCUMENTS

D211,170 S *	5/1968	Carsello	.....	D6/365
D233,381 S *	10/1974	Wright	.....	D6/351
D249,272 S *	9/1978	Sommerfeld	.....	D19/75
D250,444 S *	12/1978	Danat et al.	.....	D7/515
D279,430 S *	7/1985	McLeroy	.....	D6/358
D344,659 S *	3/1994	Hsu	.....	D7/613
D363,855 S *	11/1995	Van Blankenburg	.....	D7/515
D369,529 S *	5/1996	Blankenburg et al.	.....	D7/625
D430,214 S *	8/2000	Palmer	.....	D19/75
D553,374 S *	10/2007	Cordek	.....	D6/358

**1 Claim, 7 Drawing Sheets**



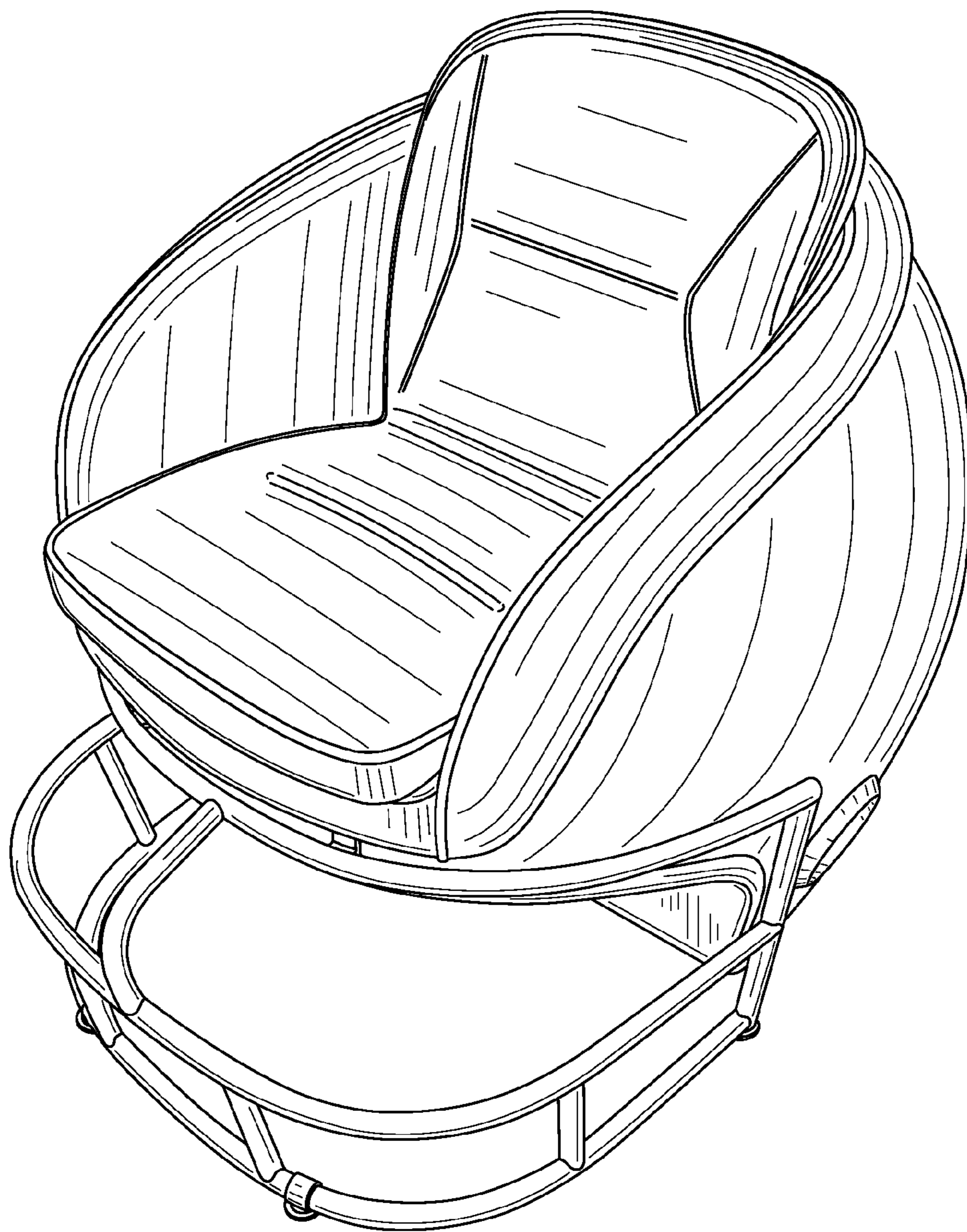


FIG. 1

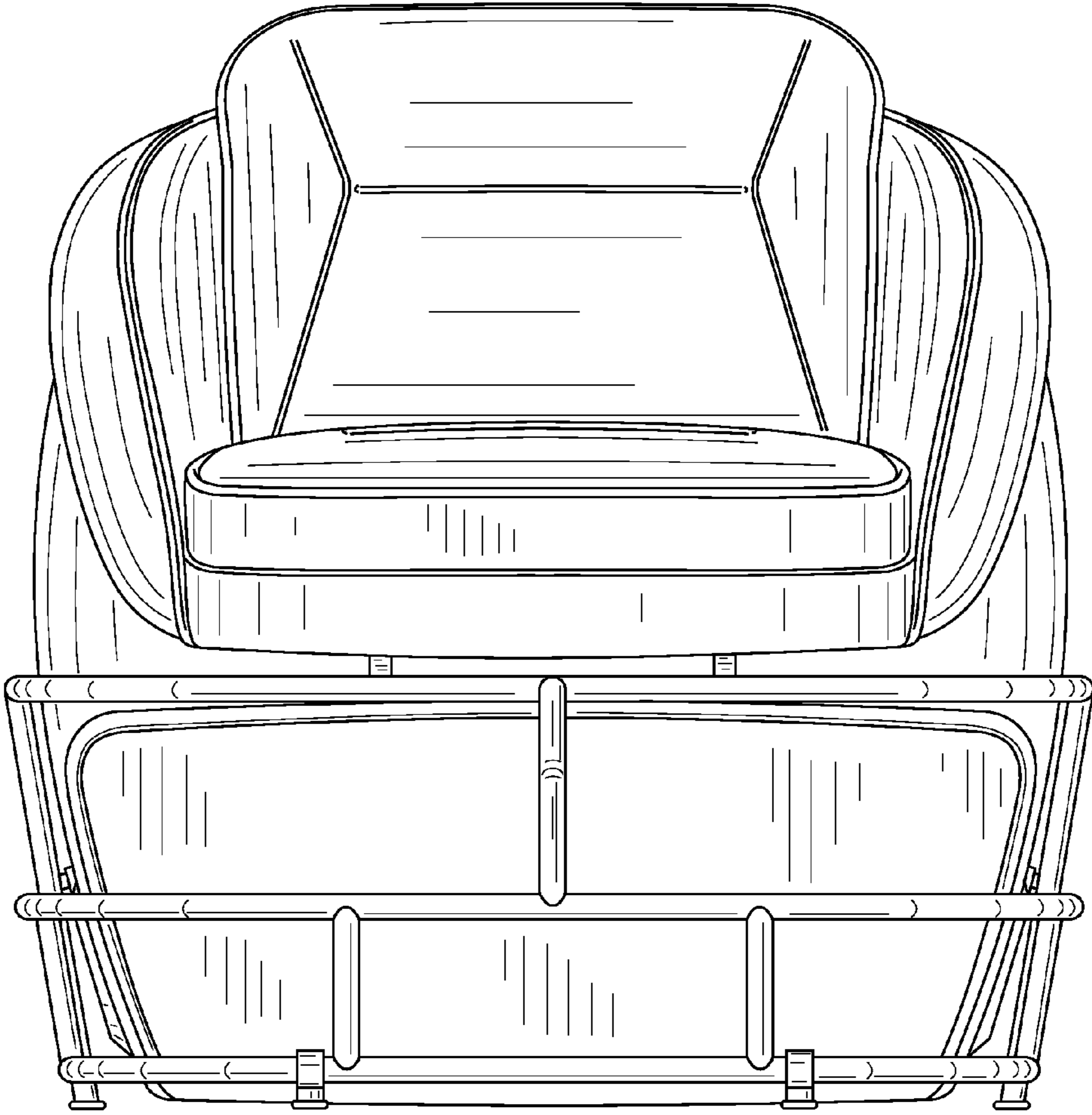


FIG. 2

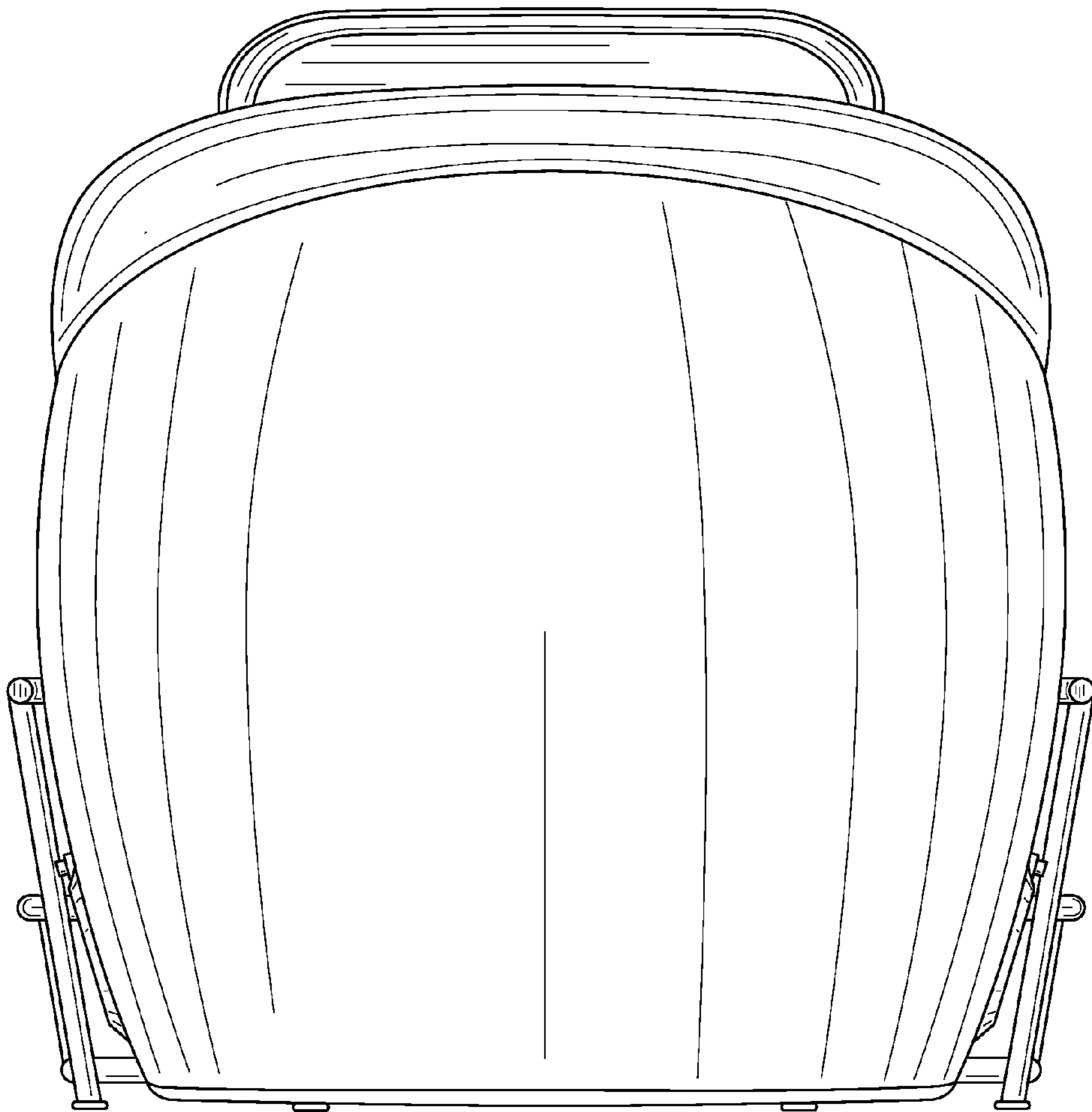


FIG. 3

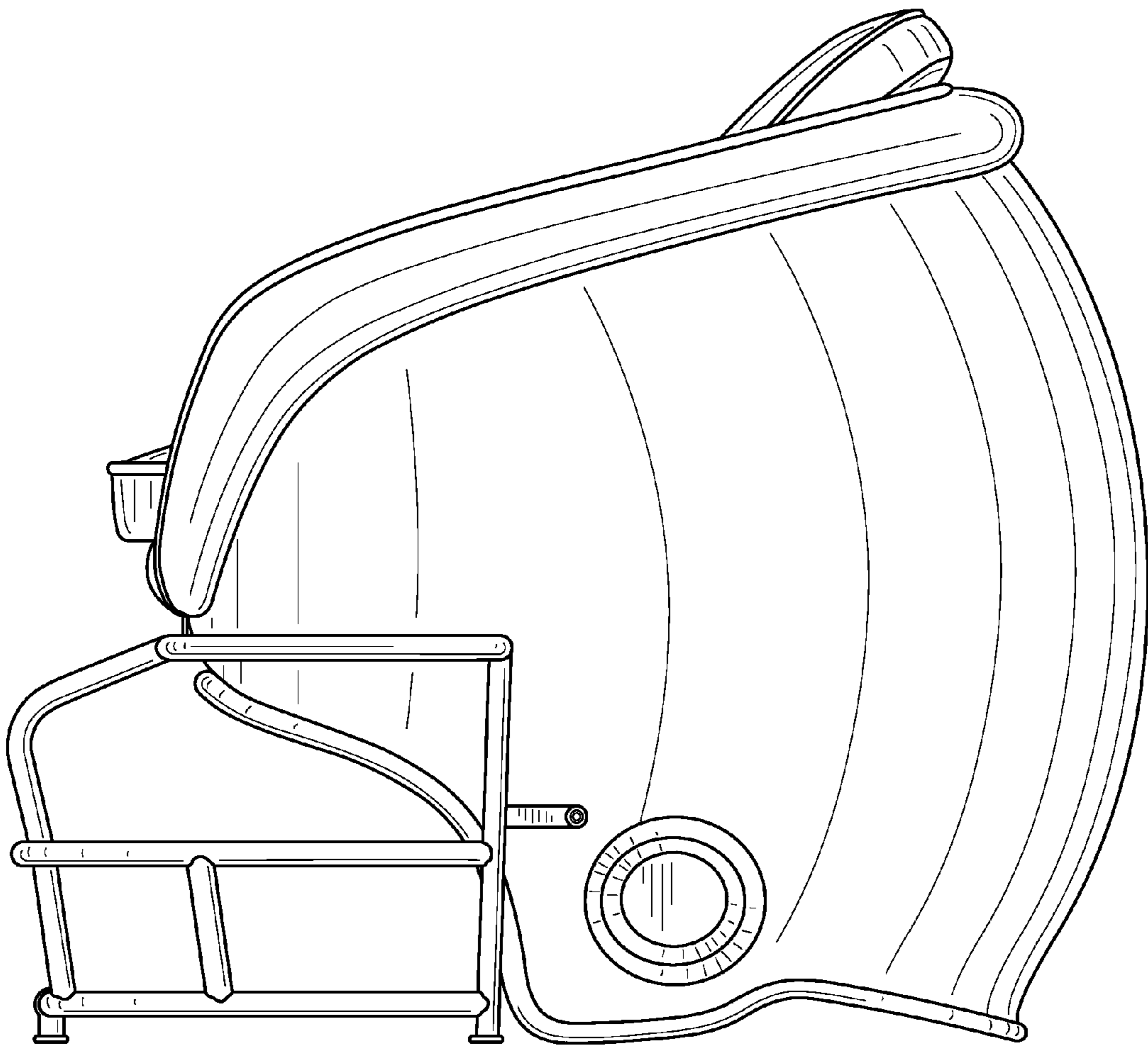


FIG. 4

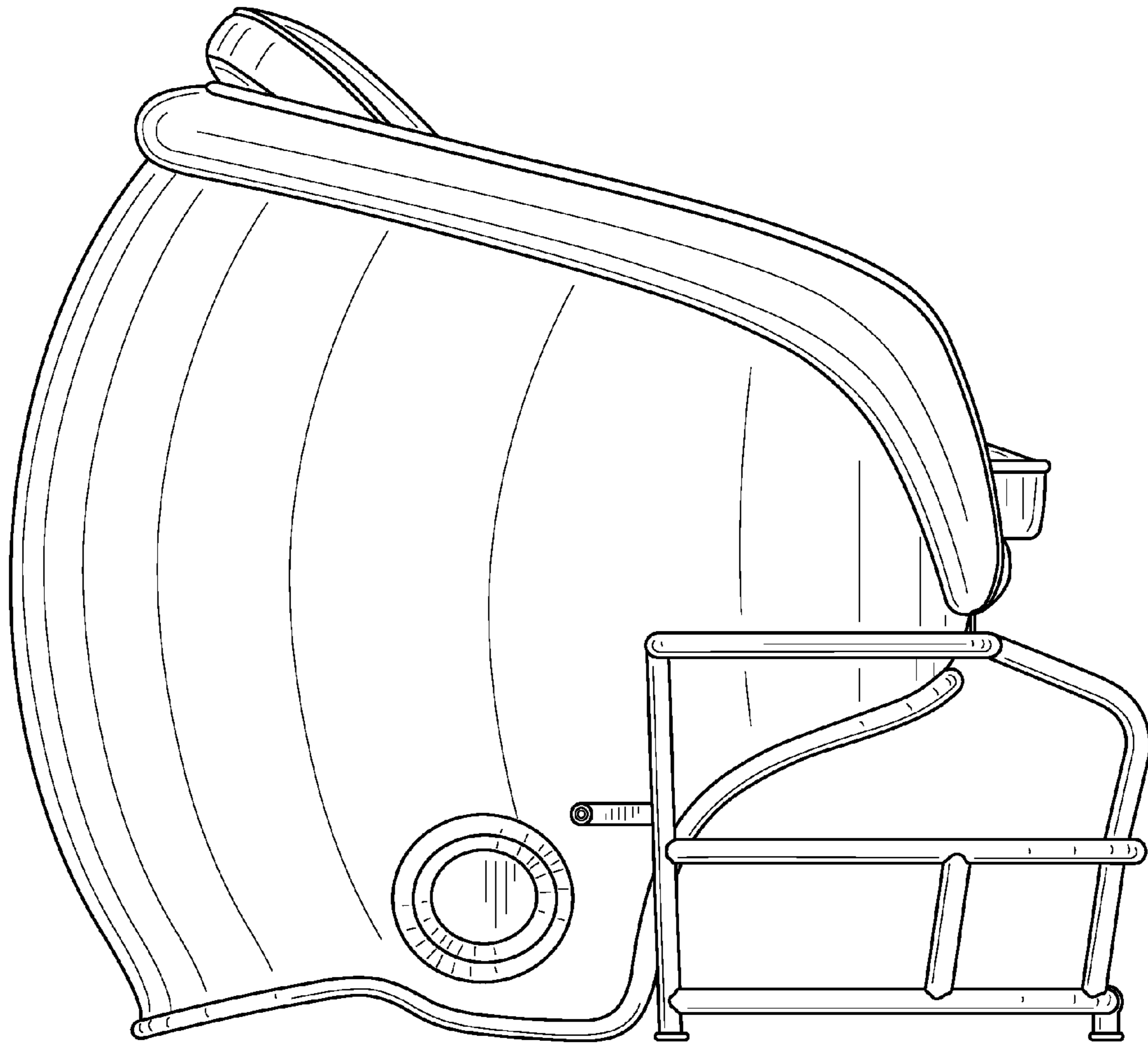


FIG. 5

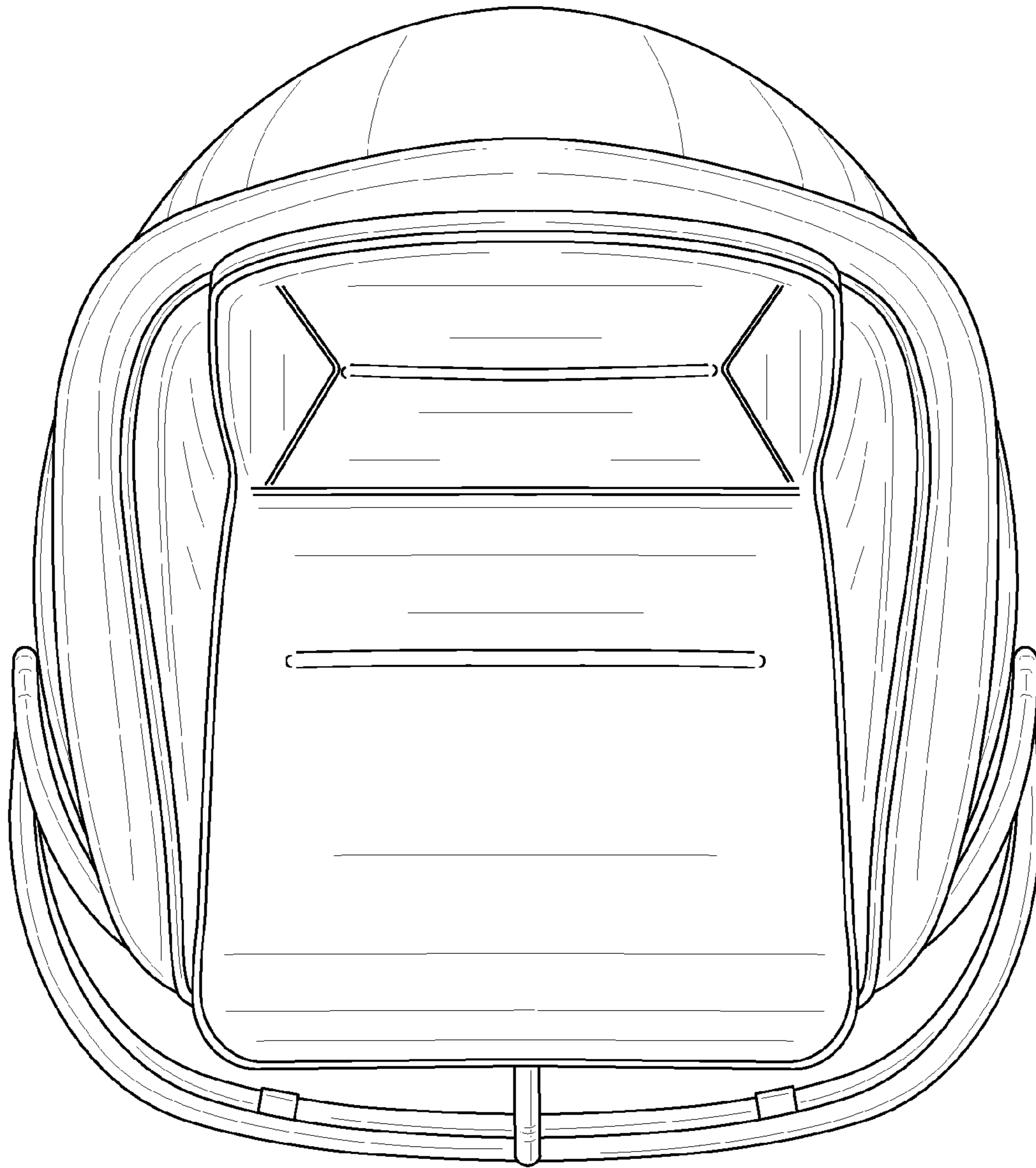


FIG. 6

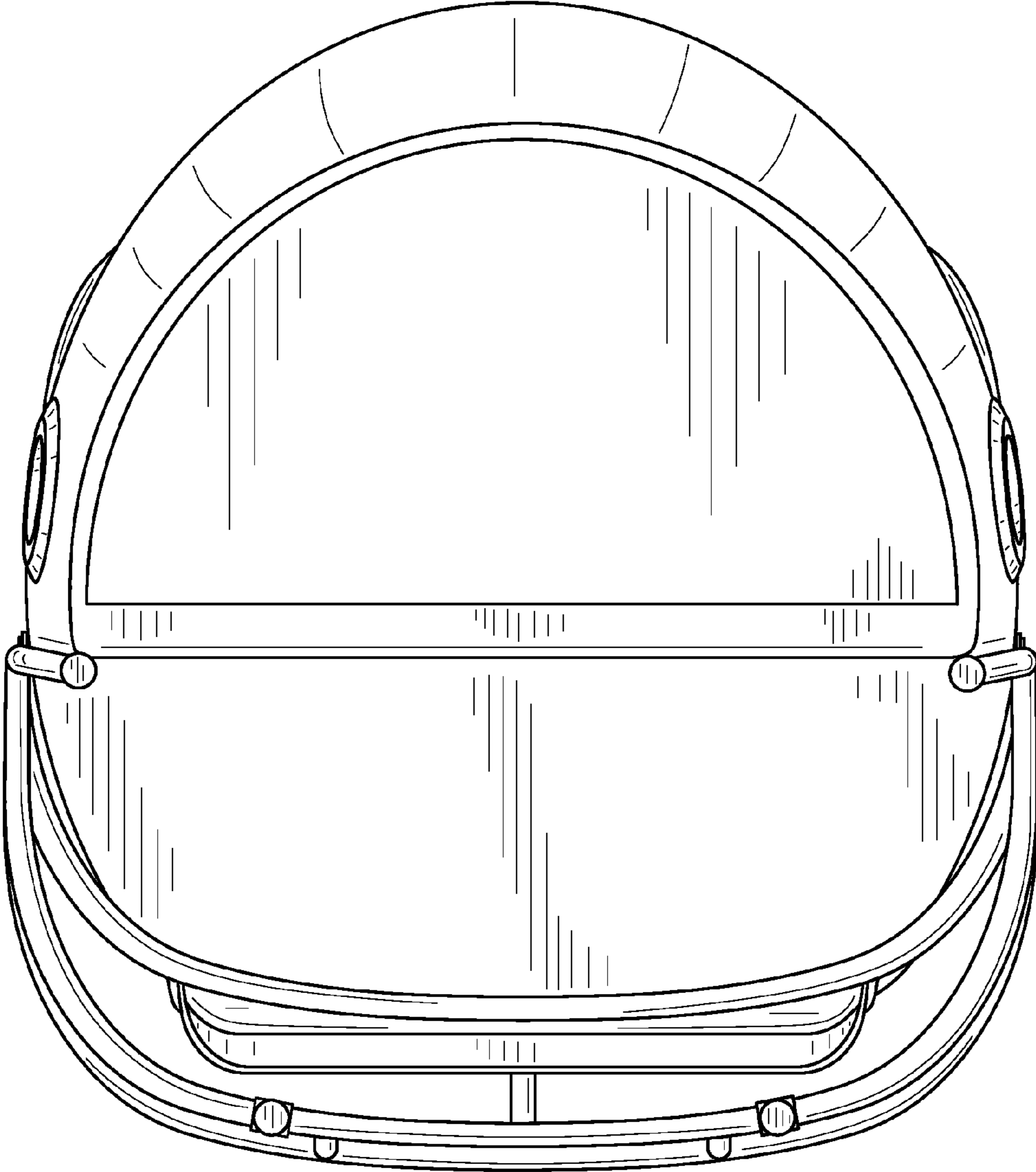


FIG. 7