

US00D662720S

(12) **United States Design Patent**
Gillett et al.

(10) **Patent No.:** **US D662,720 S**

(45) **Date of Patent:** **** Jul. 3, 2012**

(54) **BOOSTER SEAT**

(75) Inventors: **Michael A. Gillett**, Reinholds, PA (US);
Sharon A. Gillett, Reinholds, PA (US)

(73) Assignee: **Wonderland Nurserygoods Company Limited**, Hong Kong (HK)

(**) Term: **14 Years**

(21) Appl. No.: **29/414,501**

(22) Filed: **Feb. 29, 2012**

(51) **LOC (9) Cl.** **06-01**

(52) **U.S. Cl.** **D6/333**

(58) **Field of Classification Search** D6/333-336,
D6/339-341, 344, 381, 491, 500-502; 297/250.1,
297/255, 256.15; 5/94, 98.2, 103-104, 655,
5/655.3; D12/129-130, 133; D21/419; 280/30-31
See application file for complete search history.

(56) **References Cited**

U.S. PATENT DOCUMENTS

D262,242 S *	12/1981	Molnar	D6/333
D360,307 S *	7/1995	Kain	D6/333
D383,316 S *	9/1997	Kain	D6/333
D461,646 S *	8/2002	Kain	D6/333
D529,319 S *	10/2006	Shibata et al.	D6/502

D560,375 S *	1/2008	Grohs	D6/333
D626,758 S *	11/2010	Hartenstine et al.	D6/339
D630,448 S *	1/2011	Xu et al.	D6/333
D646,066 S *	10/2011	Debevec et al.	D6/333
D656,749 S *	4/2012	Bergkvist	D6/333

* cited by examiner

Primary Examiner — Caron D Veynar

Assistant Examiner — Abraham Bahta

(74) *Attorney, Agent, or Firm* — Bacon & Thomas, PLLC

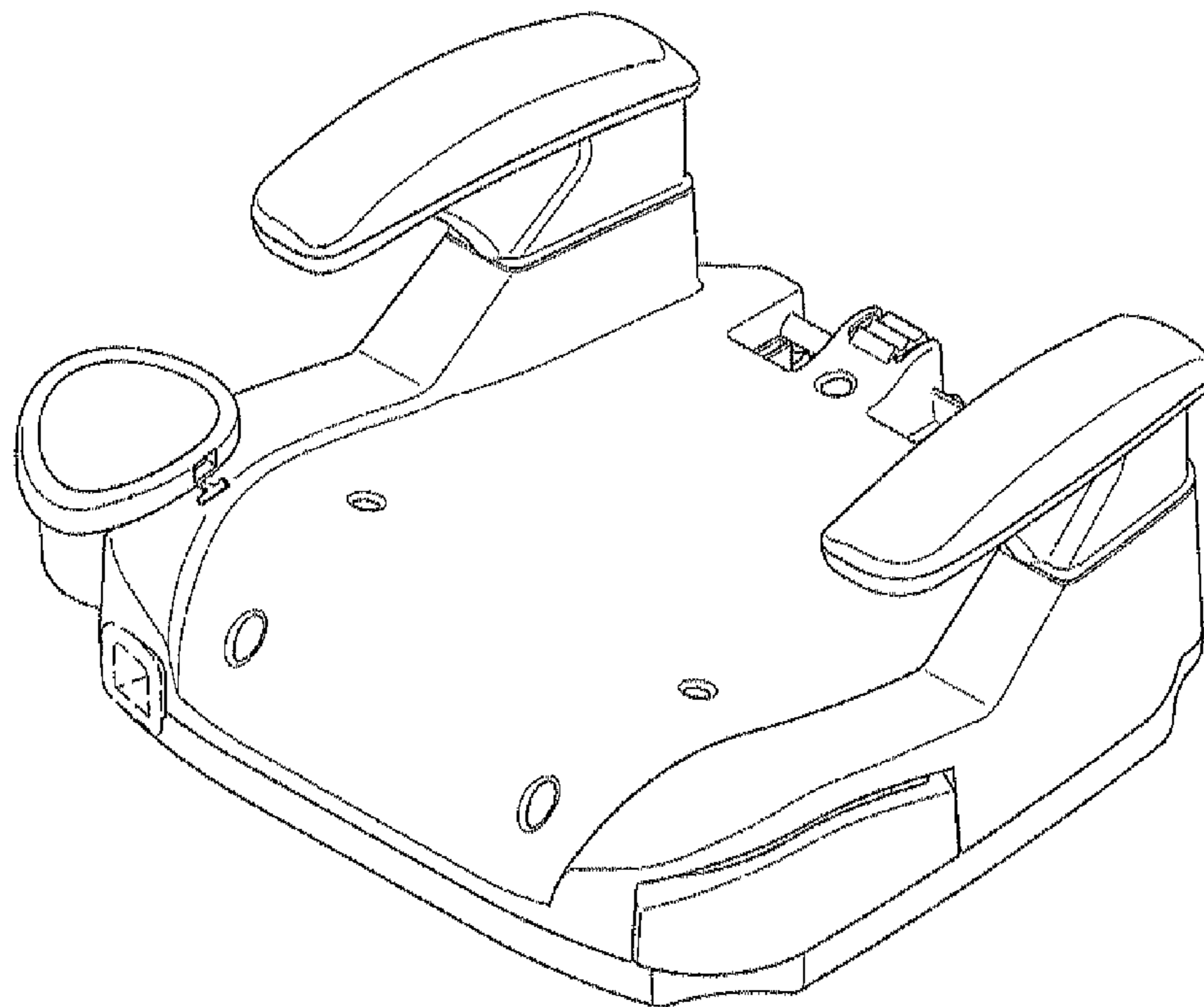
(57) **CLAIM**

The ornamental design for the booster seat, as shown and described.

DESCRIPTION

FIG. 1 is a perspective view of a booster seat in accordance with our new design;
FIG. 2 is a front view of FIG. 1;
FIG. 3 is a rear view of FIG. 1;
FIG. 4 is a top view of FIG. 1;
FIG. 5 is a bottom view of FIG. 1;
FIG. 6 is a left side view of FIG. 1; and,
FIG. 7 is a right side view of FIG. 1.
Portions in broken lines in FIGS. 1-7 are for illustrative purposes only and form no part of claimed design.

1 Claim, 4 Drawing Sheets



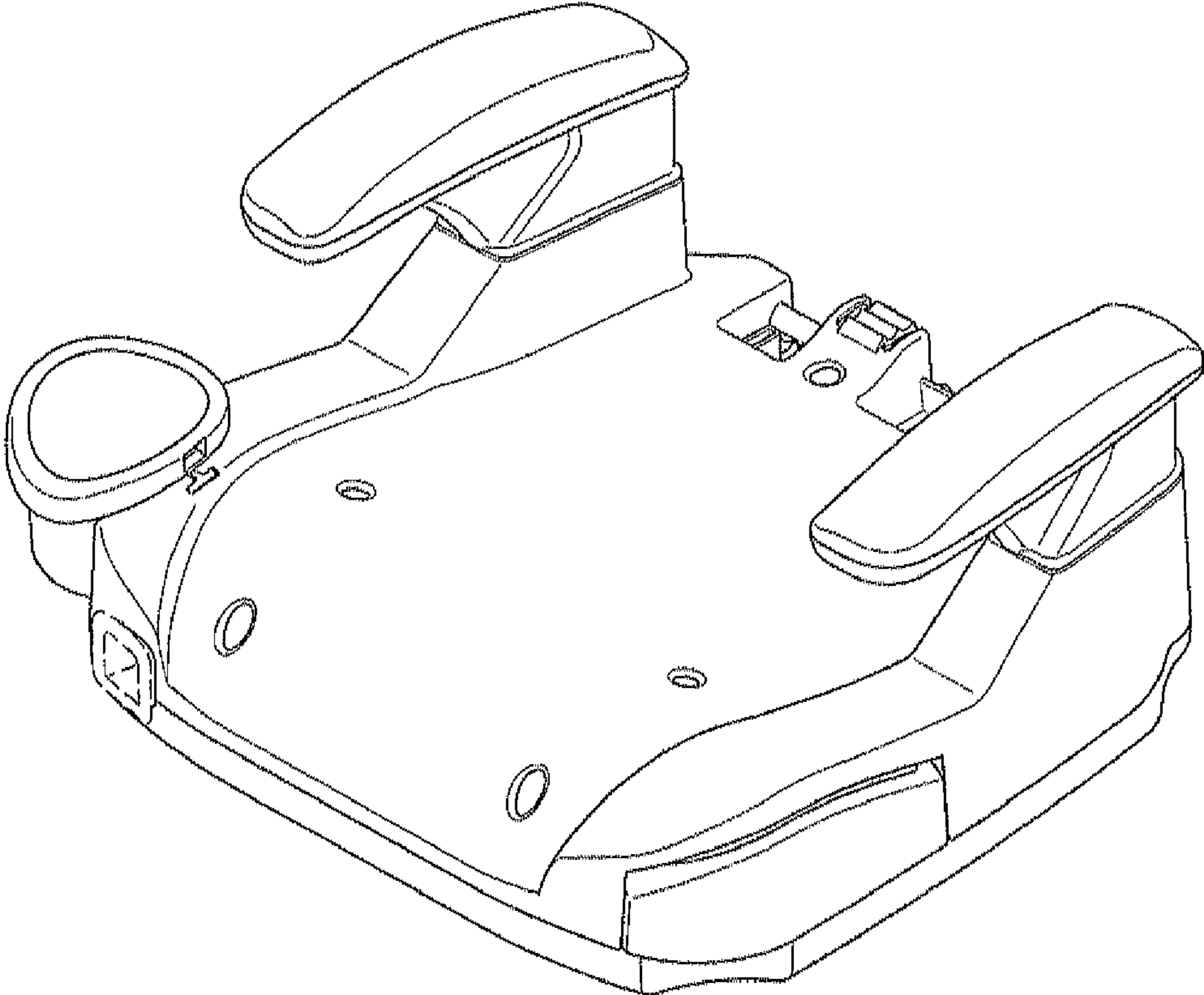


FIG. 1

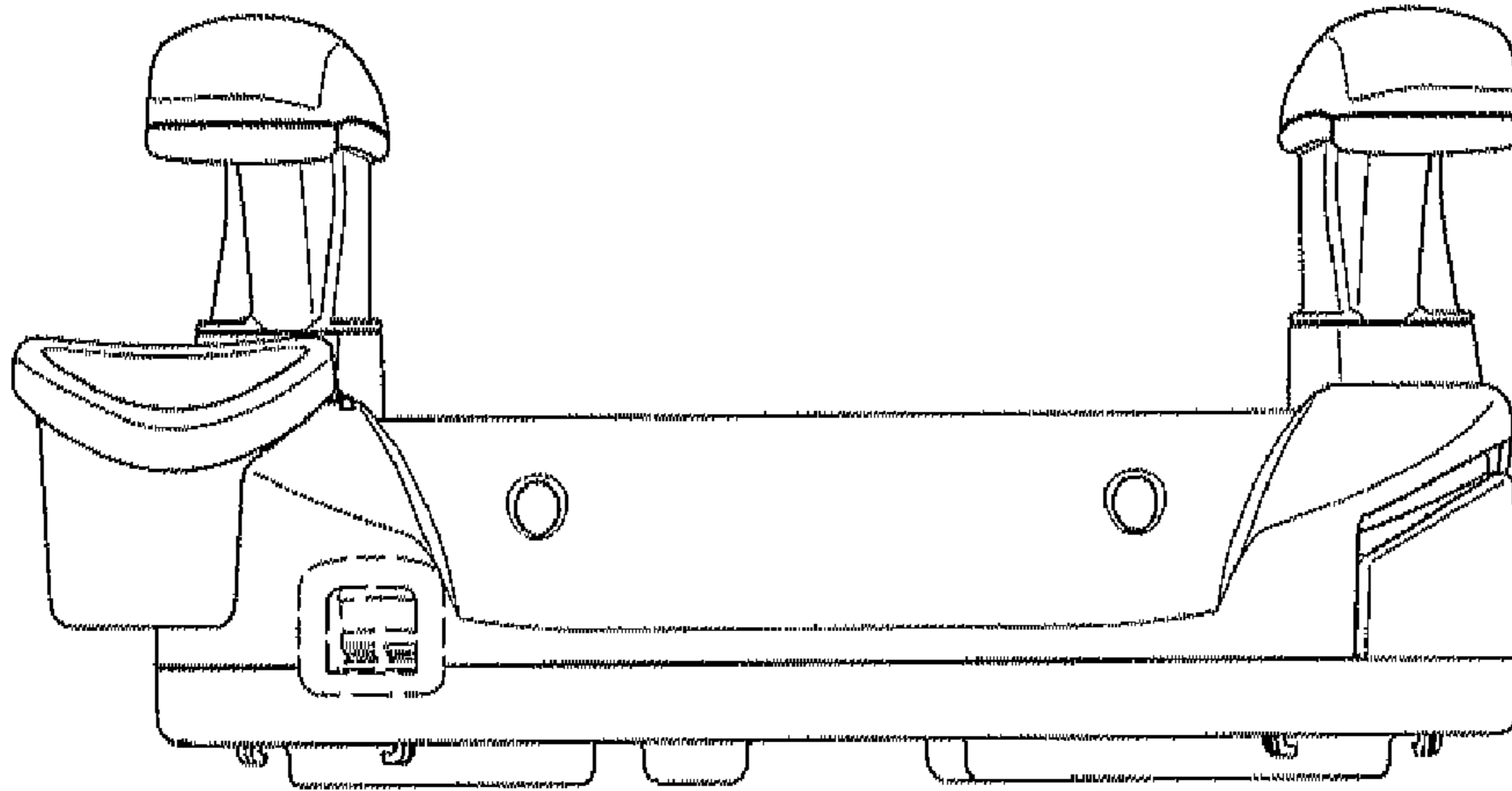


FIG. 2

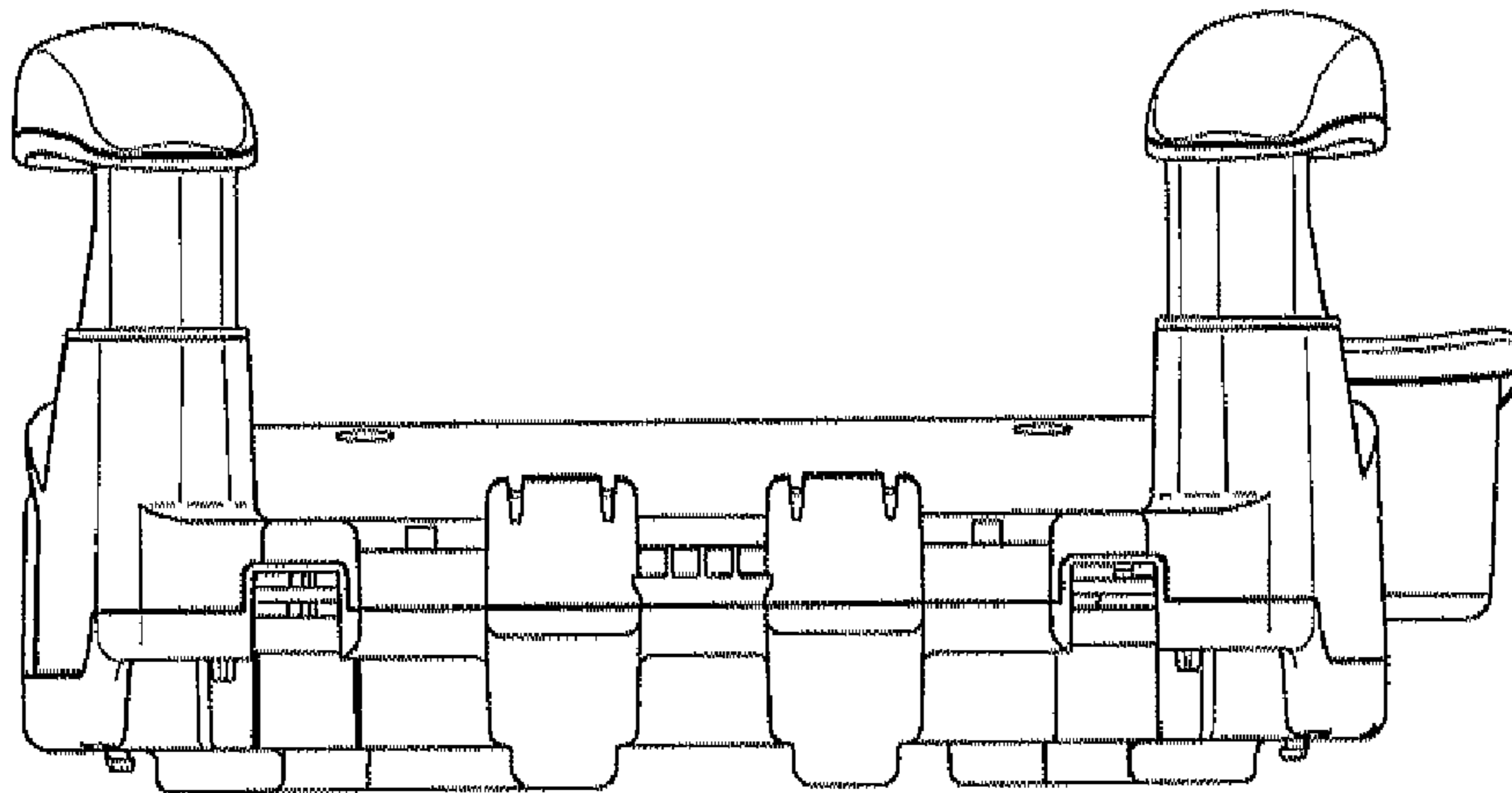


FIG. 3

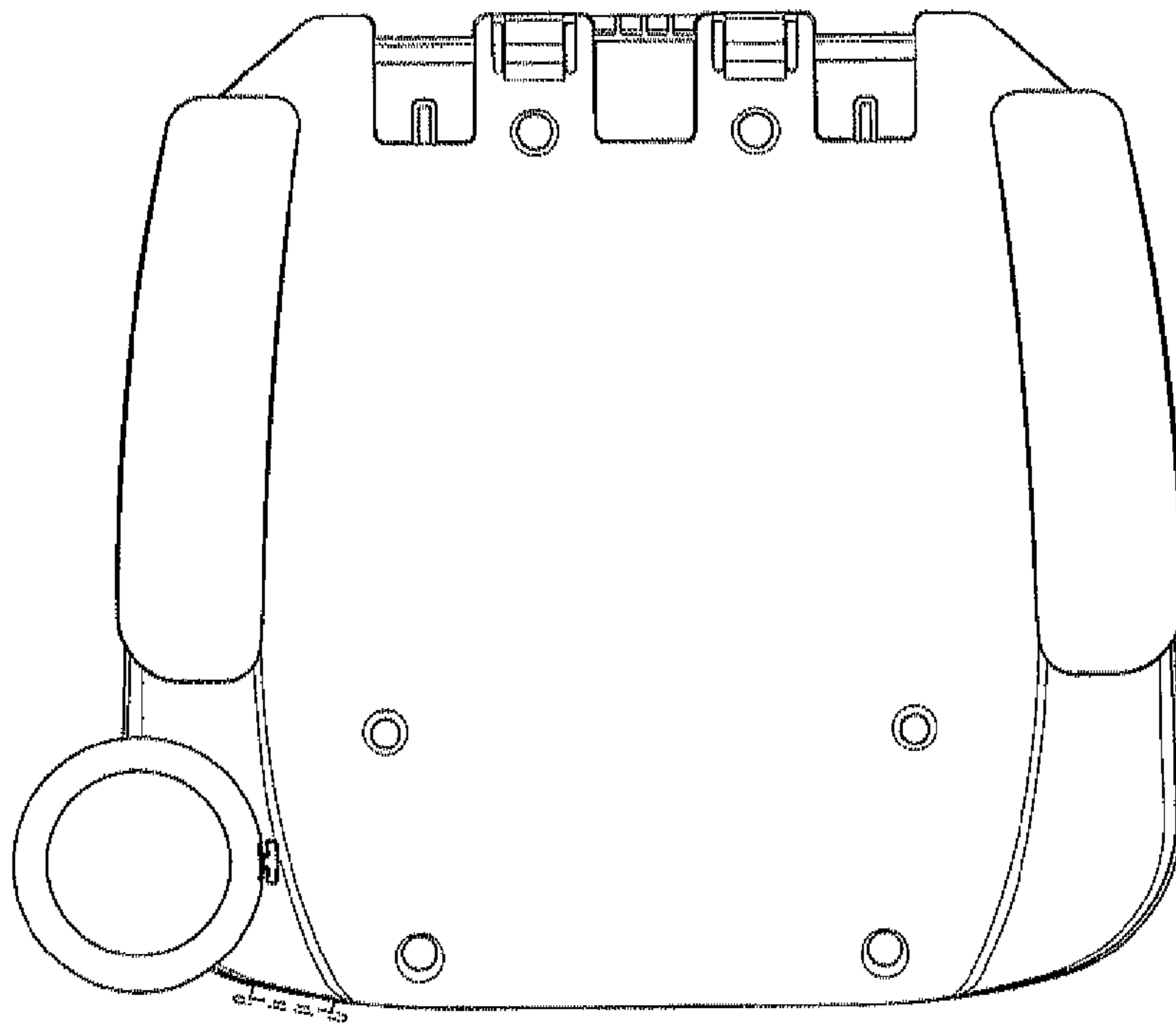


FIG. 4

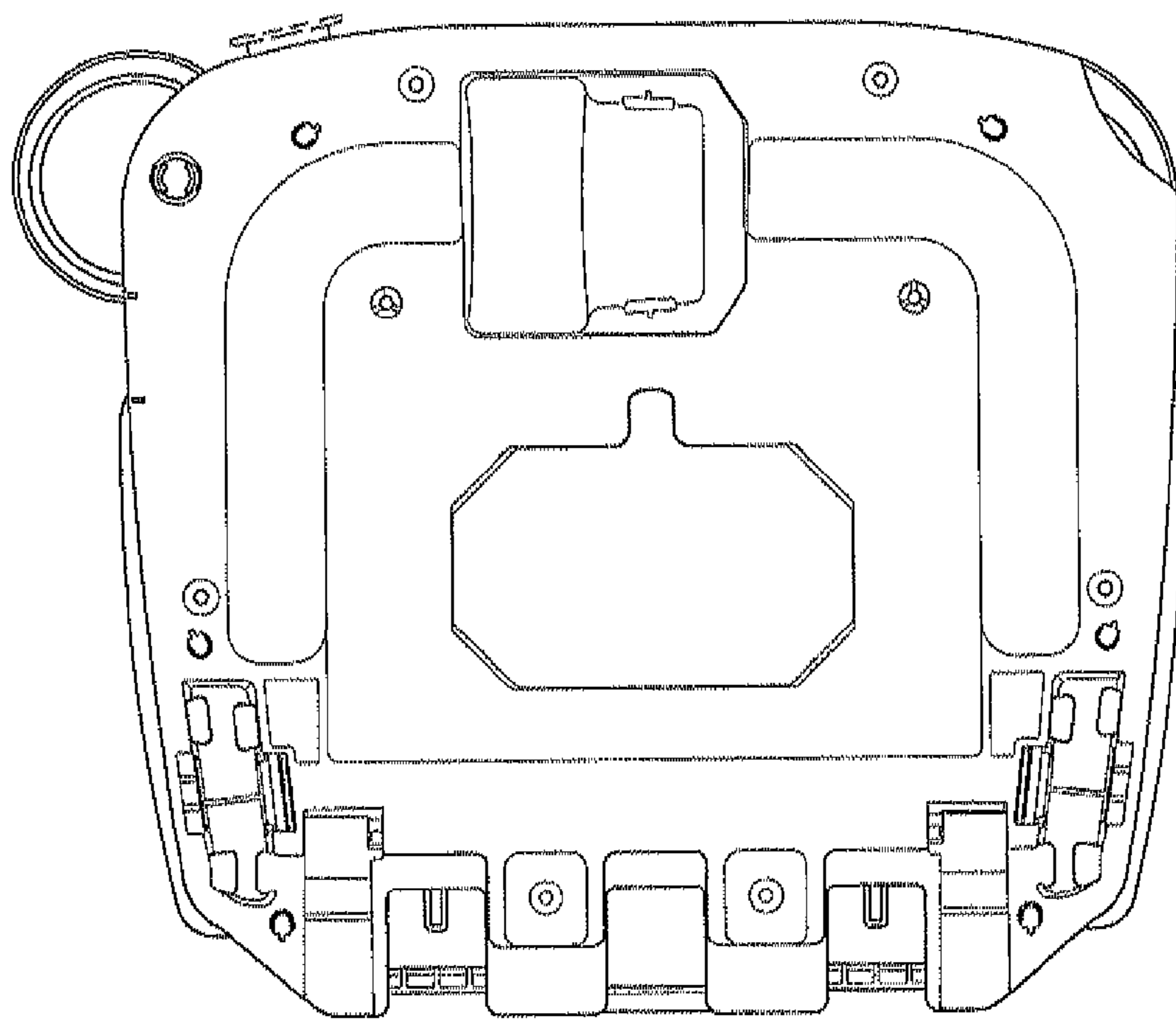


FIG. 5

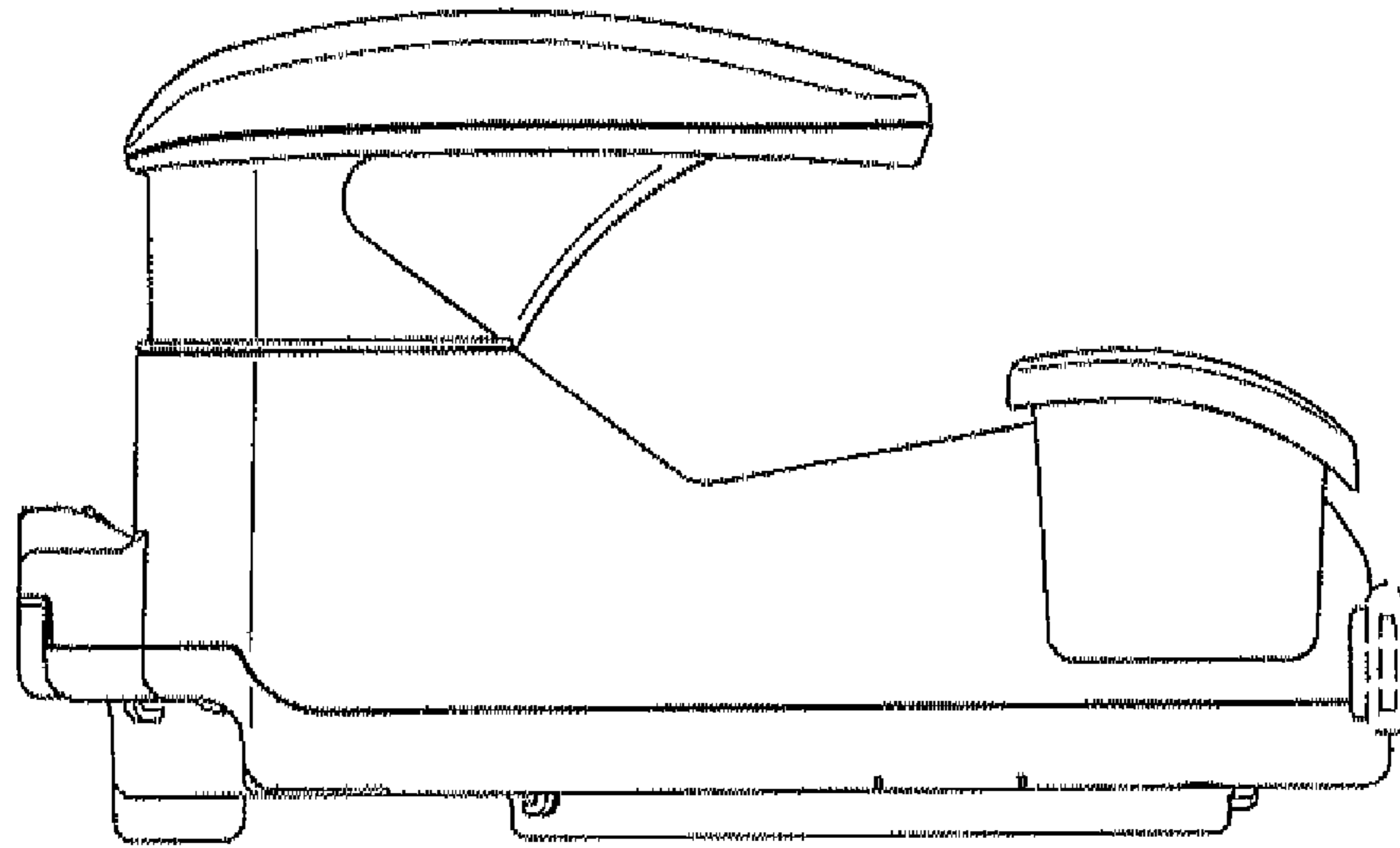


FIG. 6

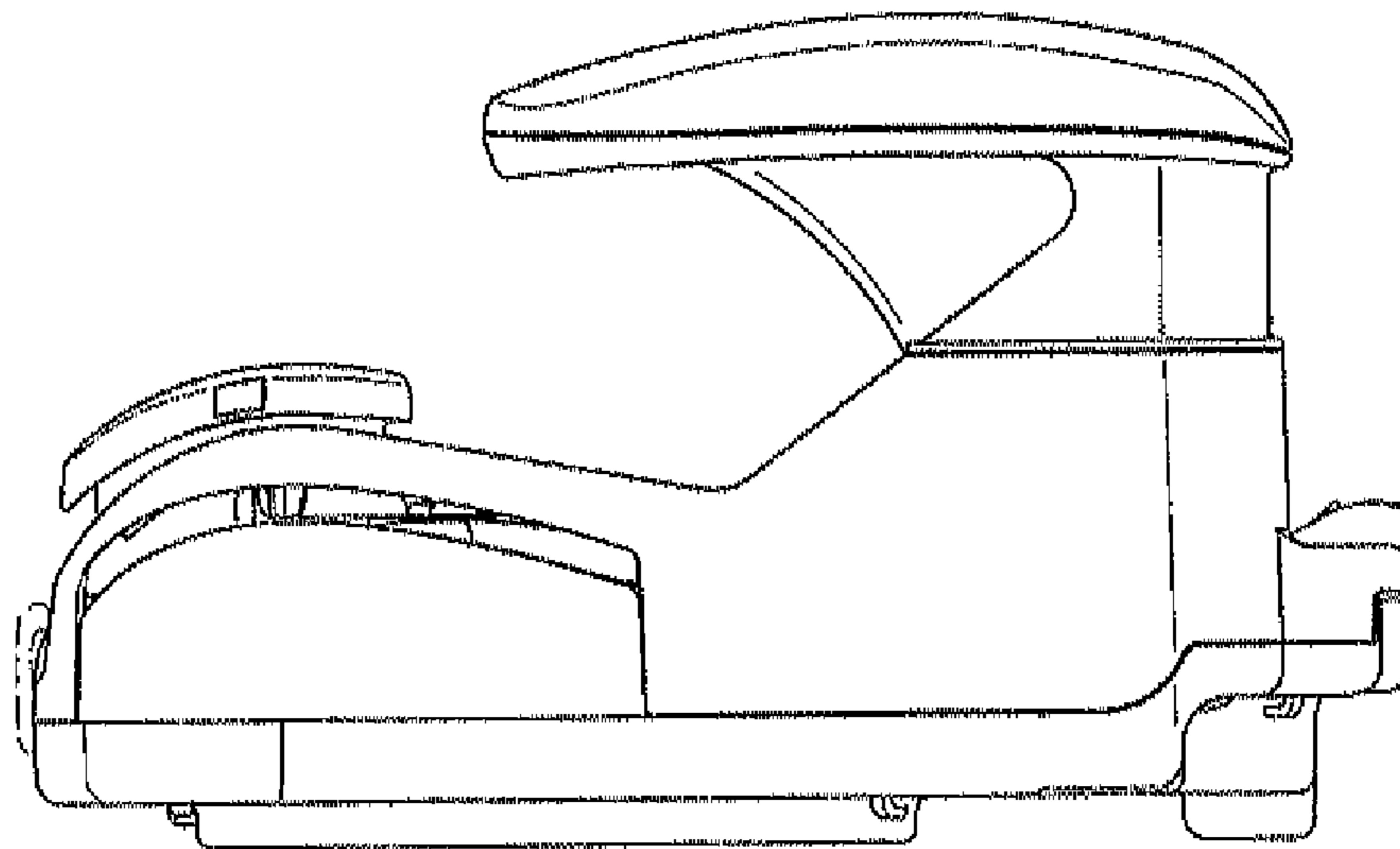


FIG. 7