

US00D662717S

(12) **United States Design Patent**
Brady

(10) **Patent No.:** **US D662,717 S**

(45) **Date of Patent:** **** Jul. 3, 2012**

(54) **CLOTHES HANGER**

(75) Inventor: **Mark Todd Brady**, Eagle Lake, FL (US)

(73) Assignee: **Mark T. Brady**, Lakeland, FL (US)

(**) Term: **14 Years**

(21) Appl. No.: **29/391,577**

(22) Filed: **May 10, 2011**

(51) **LOC (9) Cl.** **06-08**

(52) **U.S. Cl.** **D6/318**

(58) **Field of Classification Search** D6/315-328;
211/13.1, 86.01, 119.01; 223/85-98
See application file for complete search history.

(56) **References Cited**

U.S. PATENT DOCUMENTS

2,656,077	A *	10/1953	Gensky et al.	223/91
2,810,500	A *	10/1957	Wingate	223/89
2,875,932	A *	3/1959	Scott	223/91
D201,855	S *	8/1965	Gingher	D6/319
4,673,114	A *	6/1987	Douglas	223/89
4,714,183	A *	12/1987	Tontarelli	223/91

D411,374	S *	6/1999	Kilian et al.	D6/317
D471,723	S *	3/2003	Laguette	D6/319
D501,093	S *	1/2005	Barre et al.	D6/319
D507,705	S *	7/2005	Abdi et al.	D6/319
D591,055	S *	4/2009	Abdi et al.	D6/317
D644,845	S *	9/2011	Brady	D6/319

* cited by examiner

Primary Examiner — Prabhakar Deshmukh

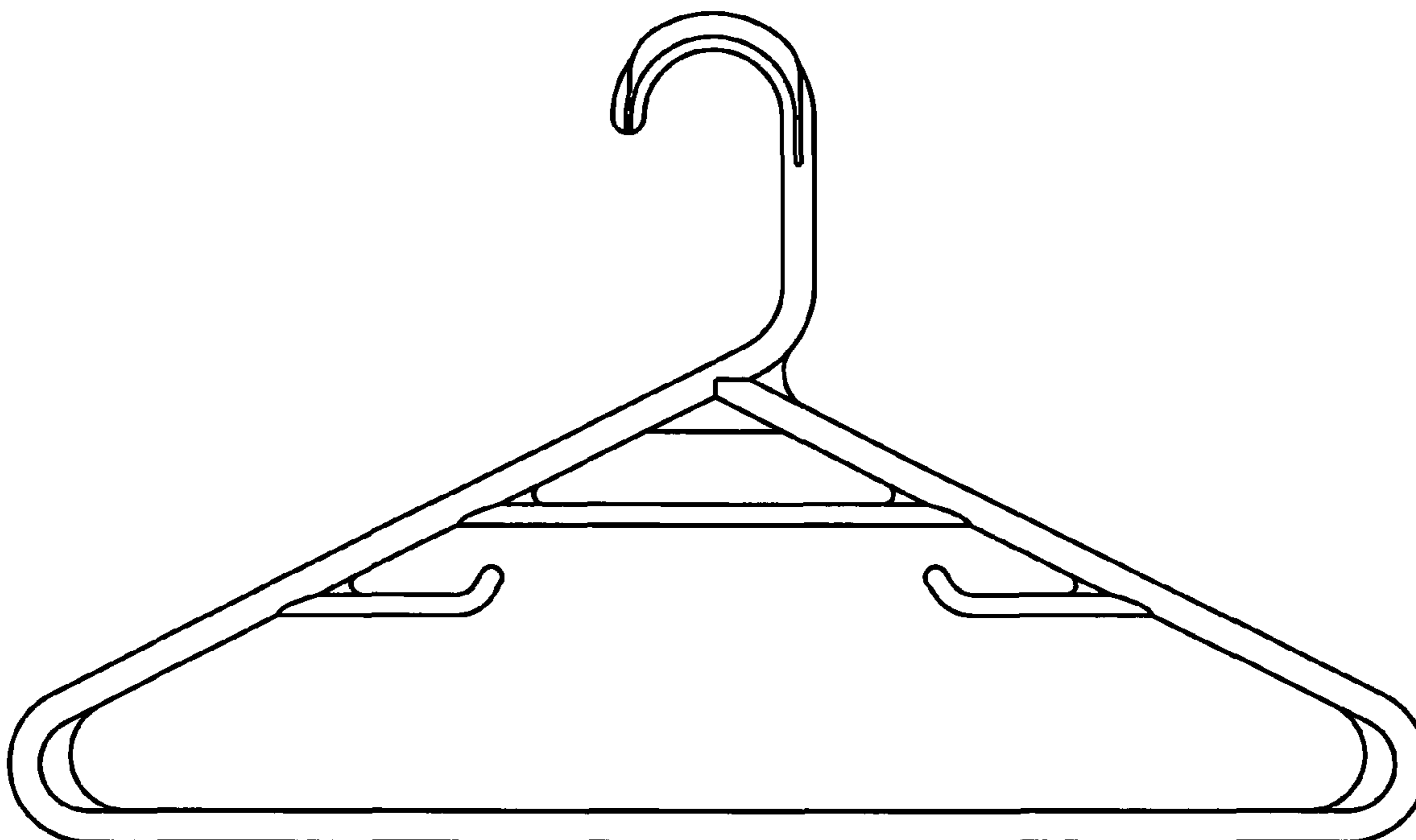
(57) **CLAIM**

The ornamental design for a clothes hanger, as shown and described.

DESCRIPTION

FIG. 1 is a front elevational view of a clothes hanger showing my new design;
FIG. 2 is a rear elevational view thereof;
FIG. 3 is a left side elevational view thereof;
FIG. 4 is a right side elevational view thereof;
FIG. 5 is a top plan view thereof;
FIG. 6 is a bottom plan view thereof;
FIG. 7 is perspective view thereof; and,
FIG. 8 is another perspective view thereof.

1 Claim, 4 Drawing Sheets



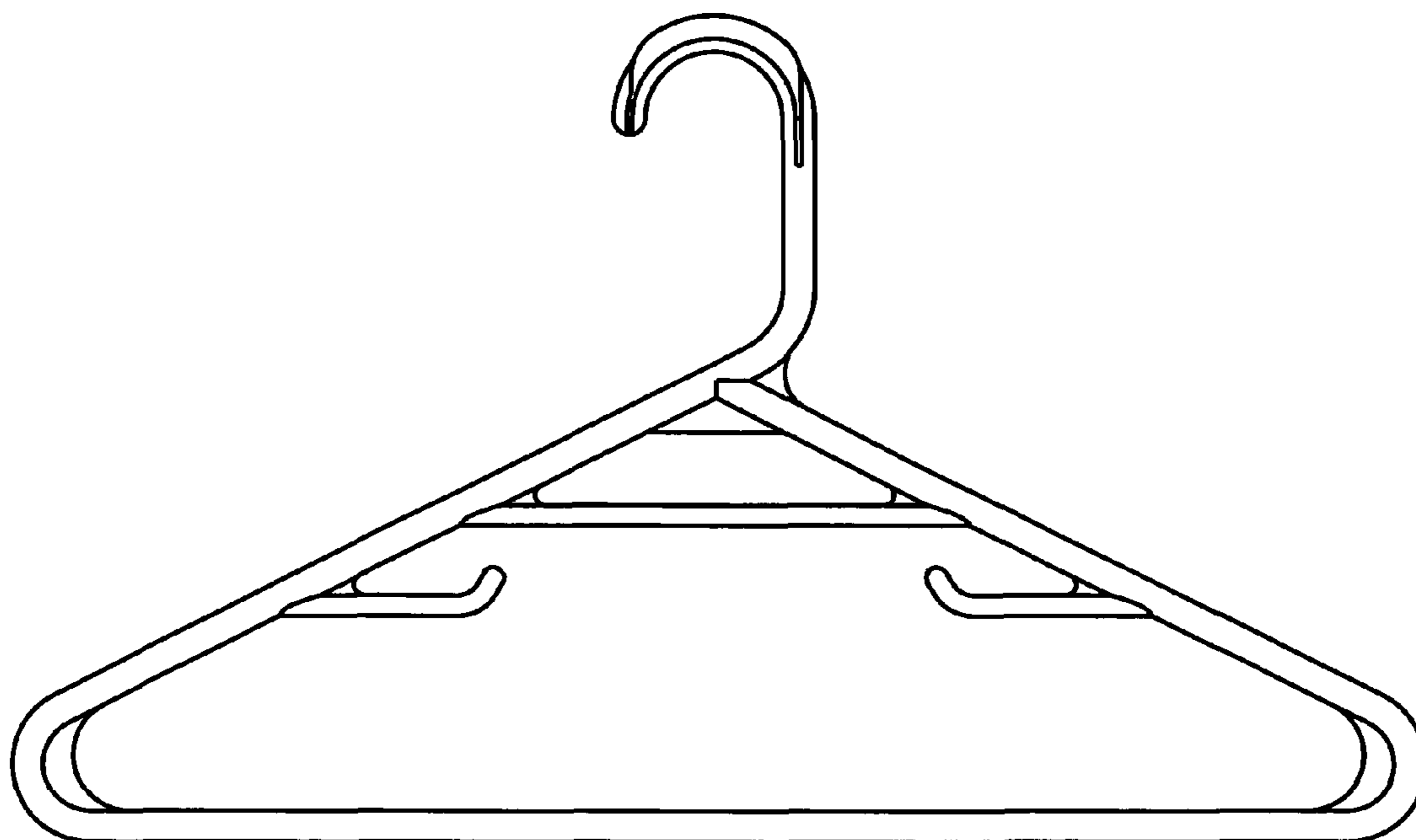


Fig 1

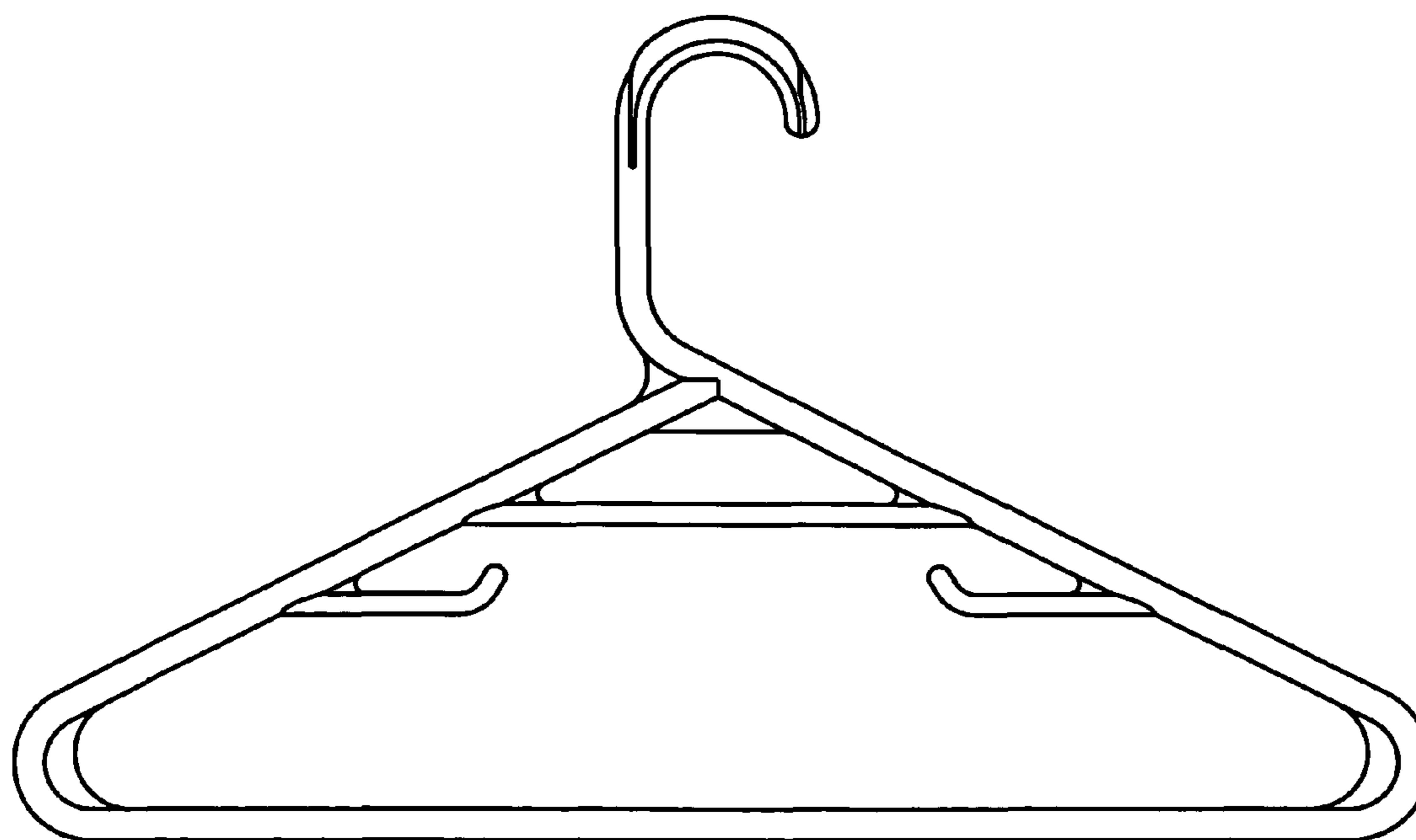


Fig 2

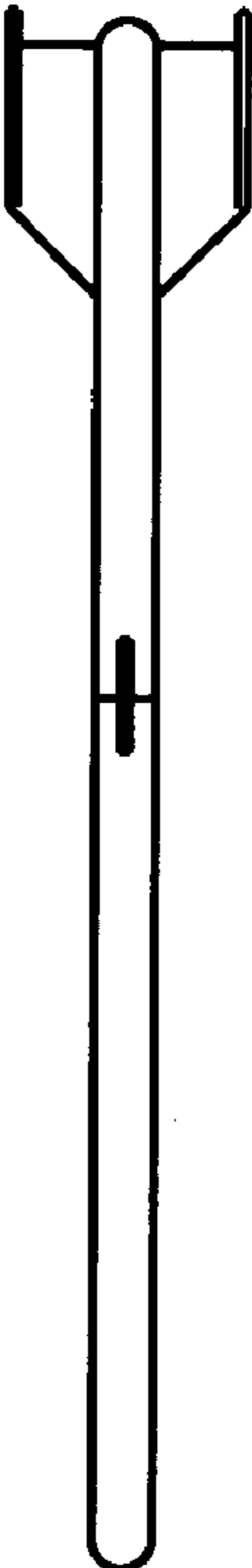


Fig 3

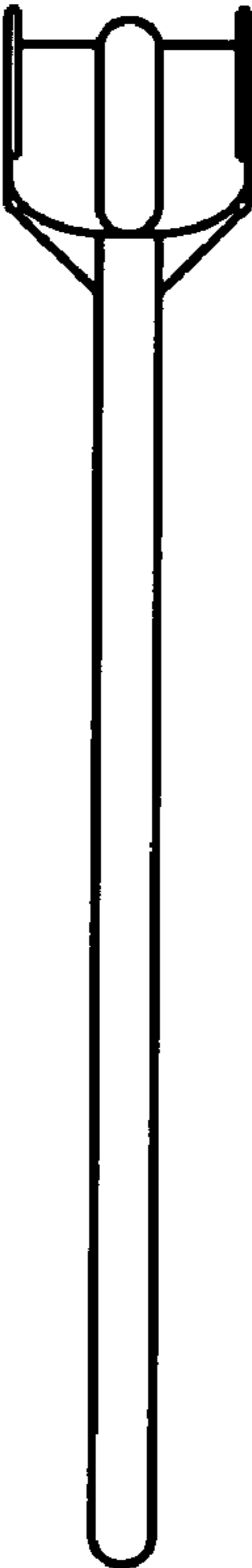


Fig 4

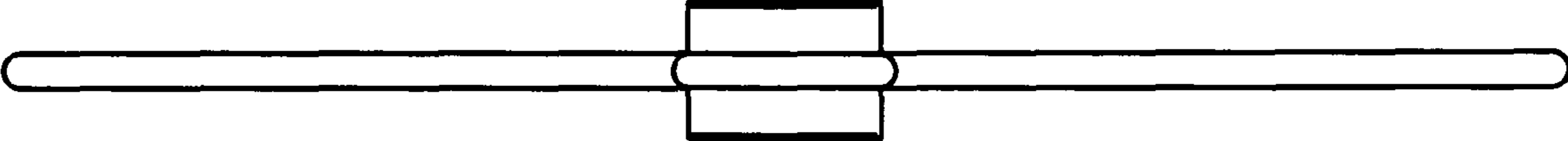


Fig 5



Fig 6

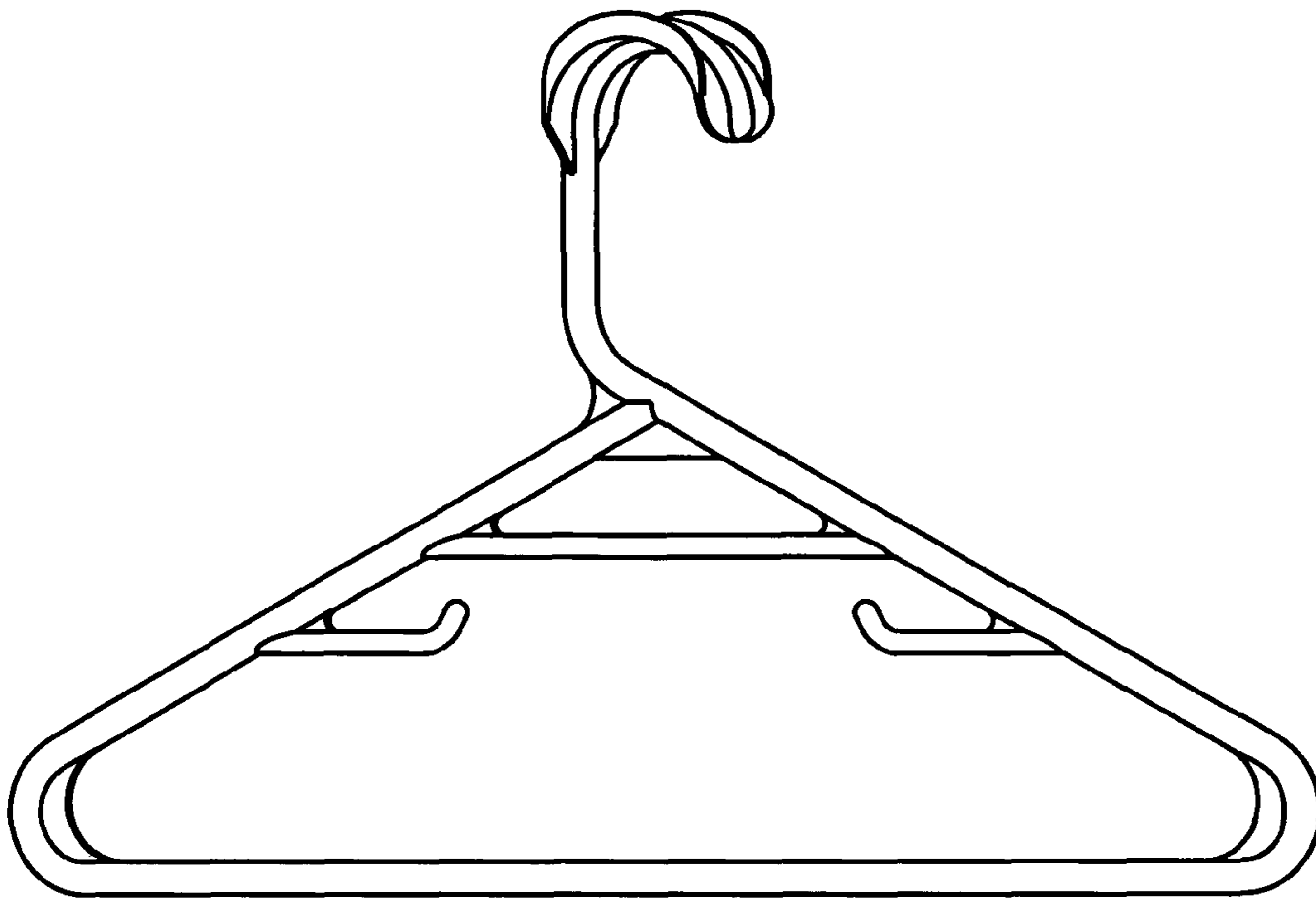


Fig 7

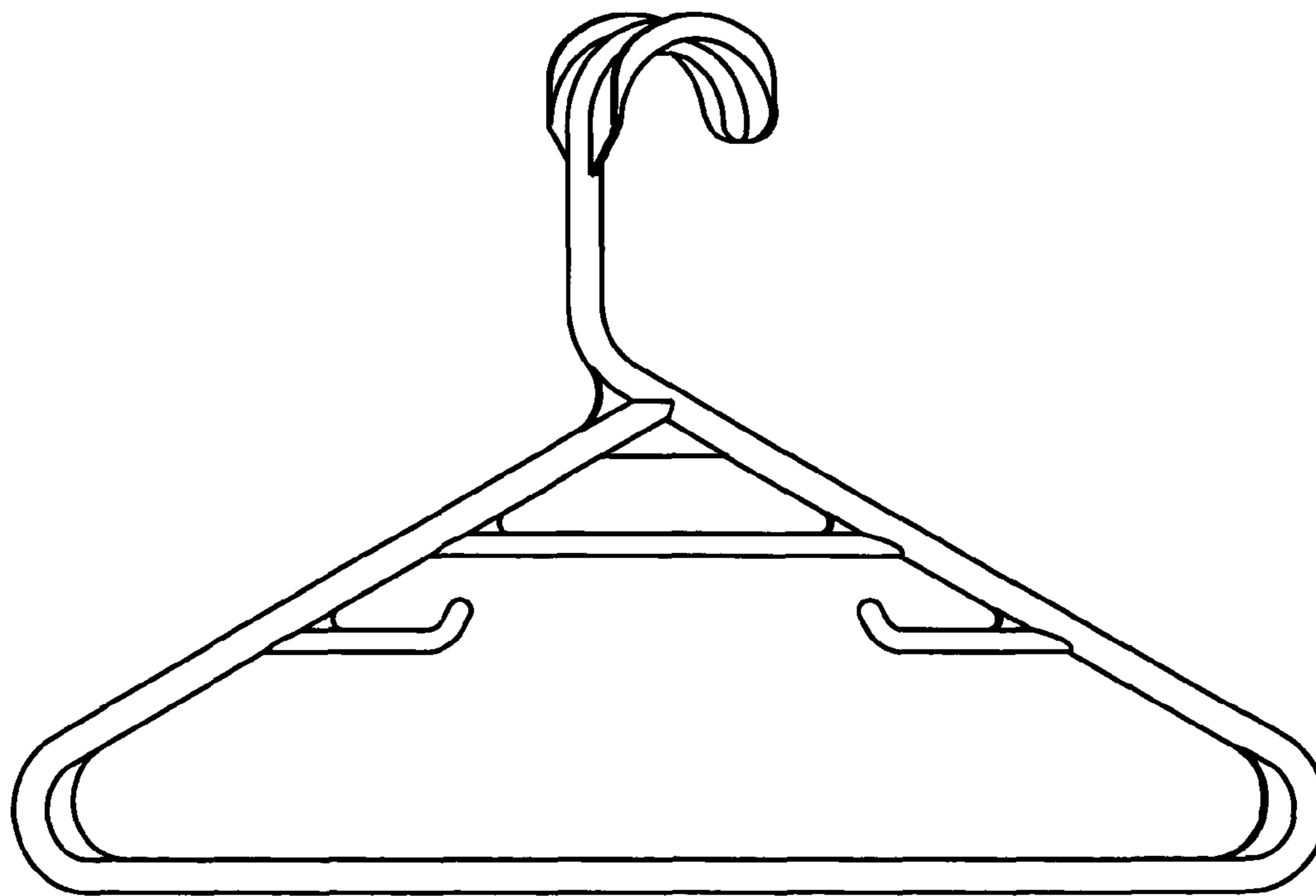


Fig 8