



US00D662714S

(12) **United States Design Patent**  
**Fraiman**

(10) **Patent No.:** **US D662,714 S**  
(45) **Date of Patent:** **\*\* Jul. 3, 2012**

(54) **TOTE BAG**

(75) Inventor: **Zvika Fraiman**, Havazelet Hasharon (IL)

(73) Assignee: **The Stanley Works Israel Ltd.**, Rosh Ha' Ayin (IL)

(\*\*) Term: **14 Years**

(21) Appl. No.: **29/390,725**

(22) Filed: **Apr. 28, 2011**

(51) **LOC (9) Cl.** ..... **03-01**

(52) **U.S. Cl.** ..... **D3/315**

(58) **Field of Classification Search** ..... D3/304,  
D3/218, 226, 230, 232, 243, 245, 246, 247,  
D3/249, 272, 273, 275, 276, 283–285, 289,  
D3/290, 299, 303, 315, 294–296, 903; 206/6.1,  
206/235, 457, 349, 373, 5, 38, 380, 579,  
206/581; 224/607, 682

See application file for complete search history.

(56) **References Cited**

**U.S. PATENT DOCUMENTS**

6,571,998 B2 \* 6/2003 Godshaw et al. .... 224/607  
7,311,200 B2 \* 12/2007 Godshaw et al. .... 206/373  
D608,096 S \* 1/2010 Noble ..... D3/318

D610,808 S \* 3/2010 Kaddar ..... D3/276  
D613,507 S \* 4/2010 Brouard ..... D3/315  
D635,769 S \* 4/2011 Sosnovsky ..... D3/304  
2005/0189388 A1 \* 9/2005 Godshaw et al. .... 224/607  
2006/0027475 A1 \* 2/2006 Gleason et al. .... 206/373  
2008/0179370 A1 \* 7/2008 Williams ..... 224/682

\* cited by examiner

*Primary Examiner* — Ian Simmons

*Assistant Examiner* — Charles Hanson

(74) *Attorney, Agent, or Firm* — Pillsbury Winthrop Shaw Pittman LLP

(57) **CLAIM**

The ornamental design for a tote bag, as shown and described.

**DESCRIPTION**

FIG. 1 is a perspective view of a tote bag according to my design;

FIG. 2 is a front view thereof;

FIG. 3 is a rear view thereof;

FIG. 4 is a left side view thereof;

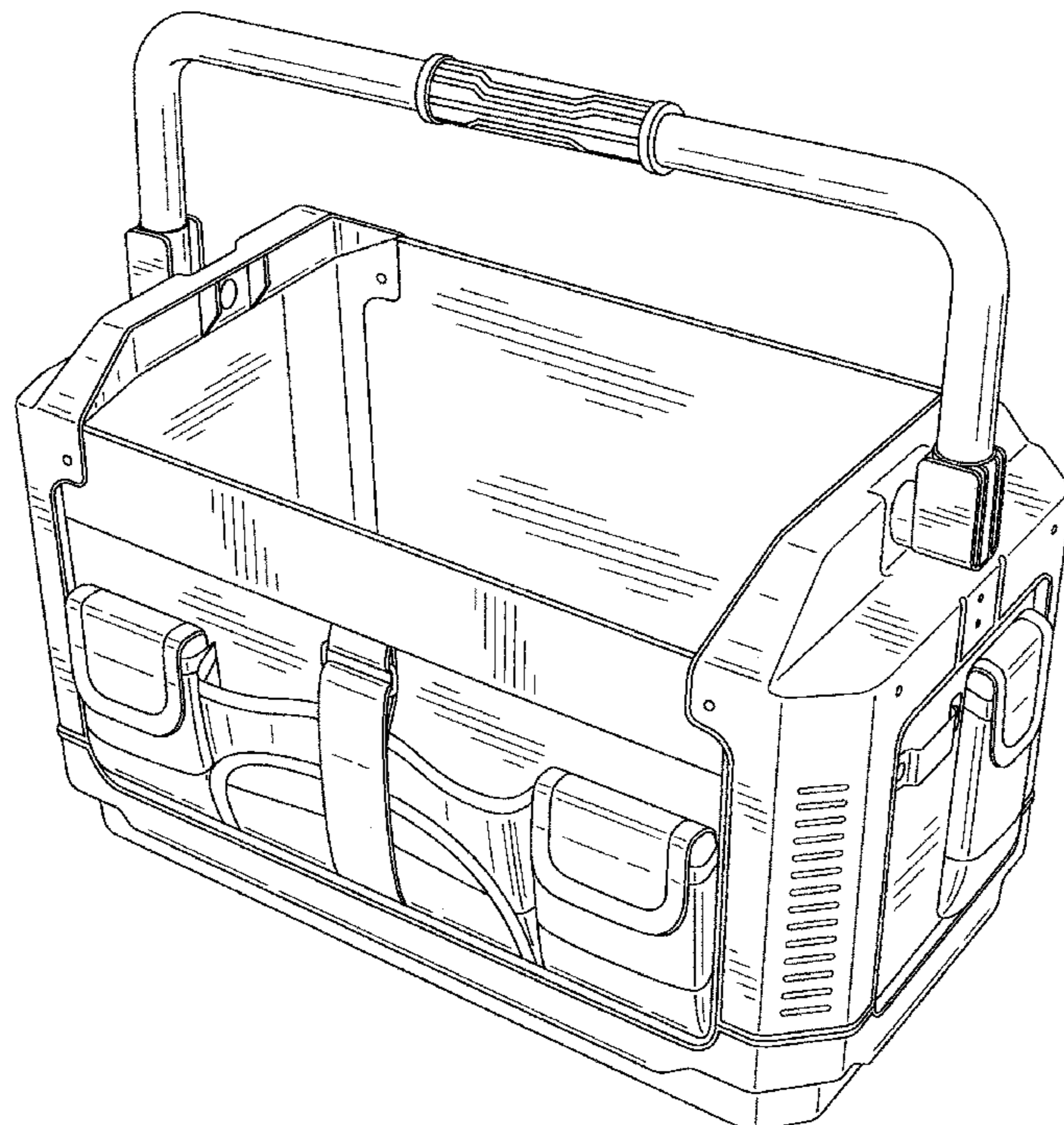
FIG. 5 is a right side view thereof;

FIG. 6 is a top plan view thereof; and,

FIG. 7 is a bottom plan view thereof.

Where included, broken lines showing environment or structure are for illustrative purposes only and form no part of the claimed design.

**1 Claim, 6 Drawing Sheets**



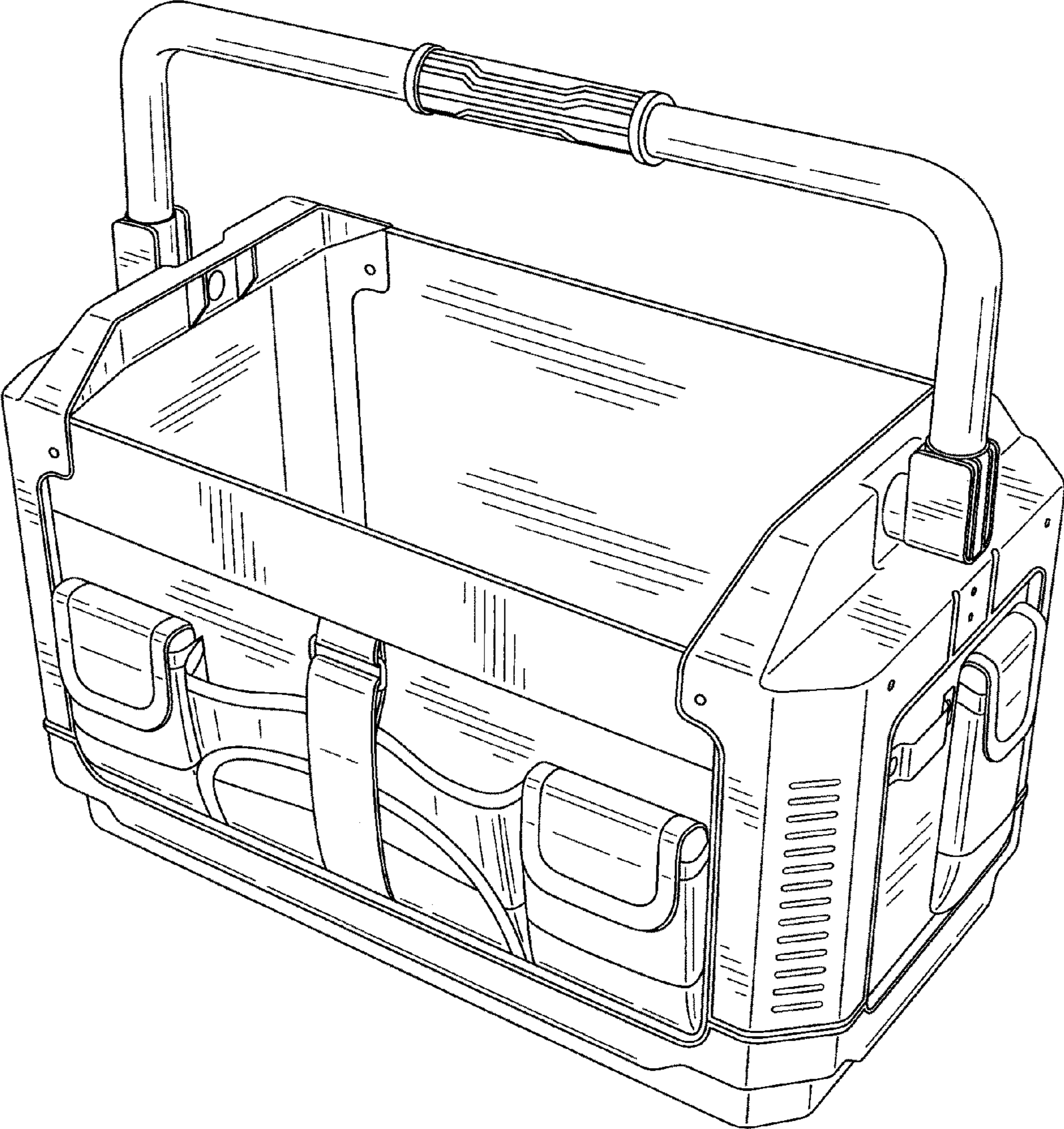


FIG. 1

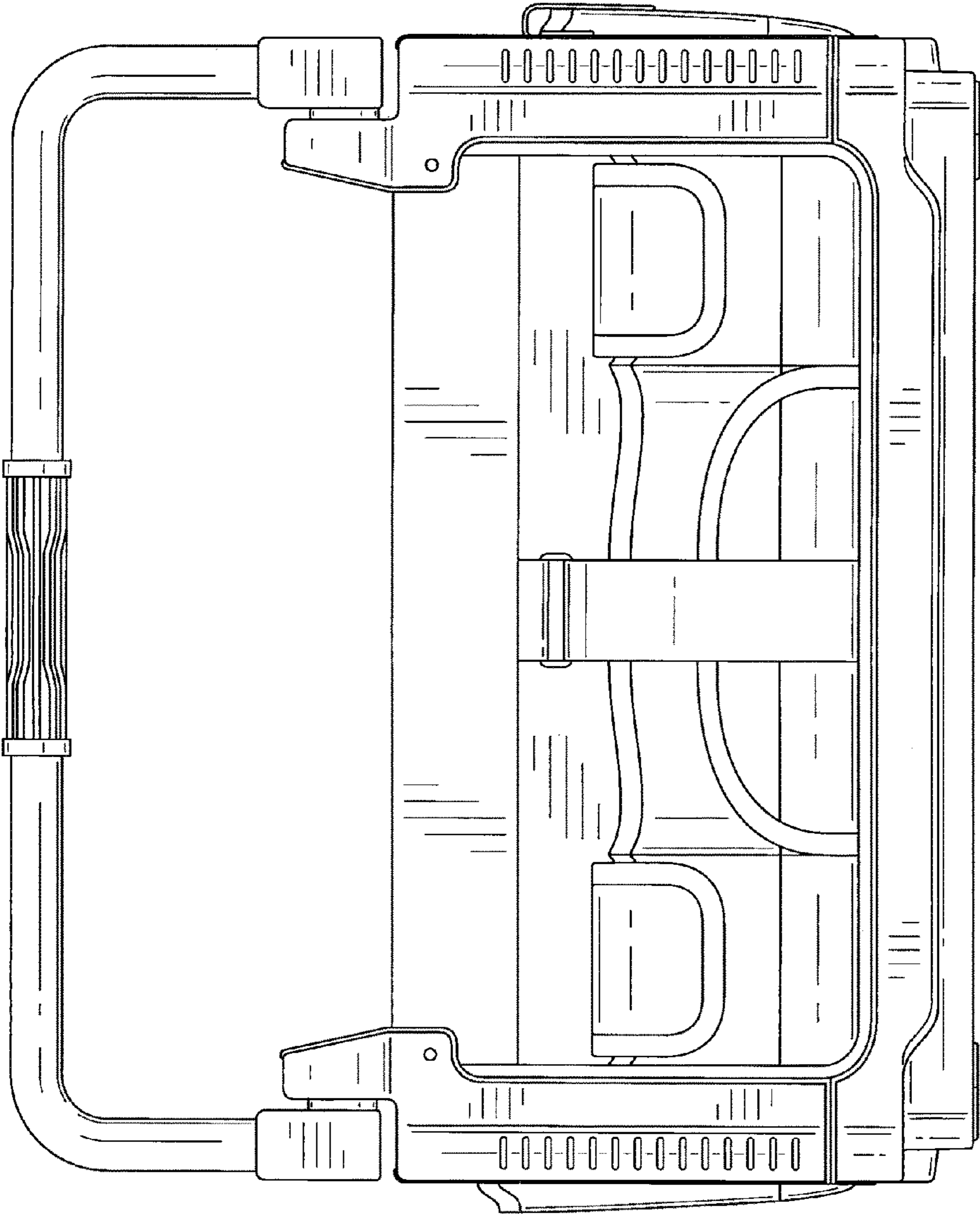


FIG. 2

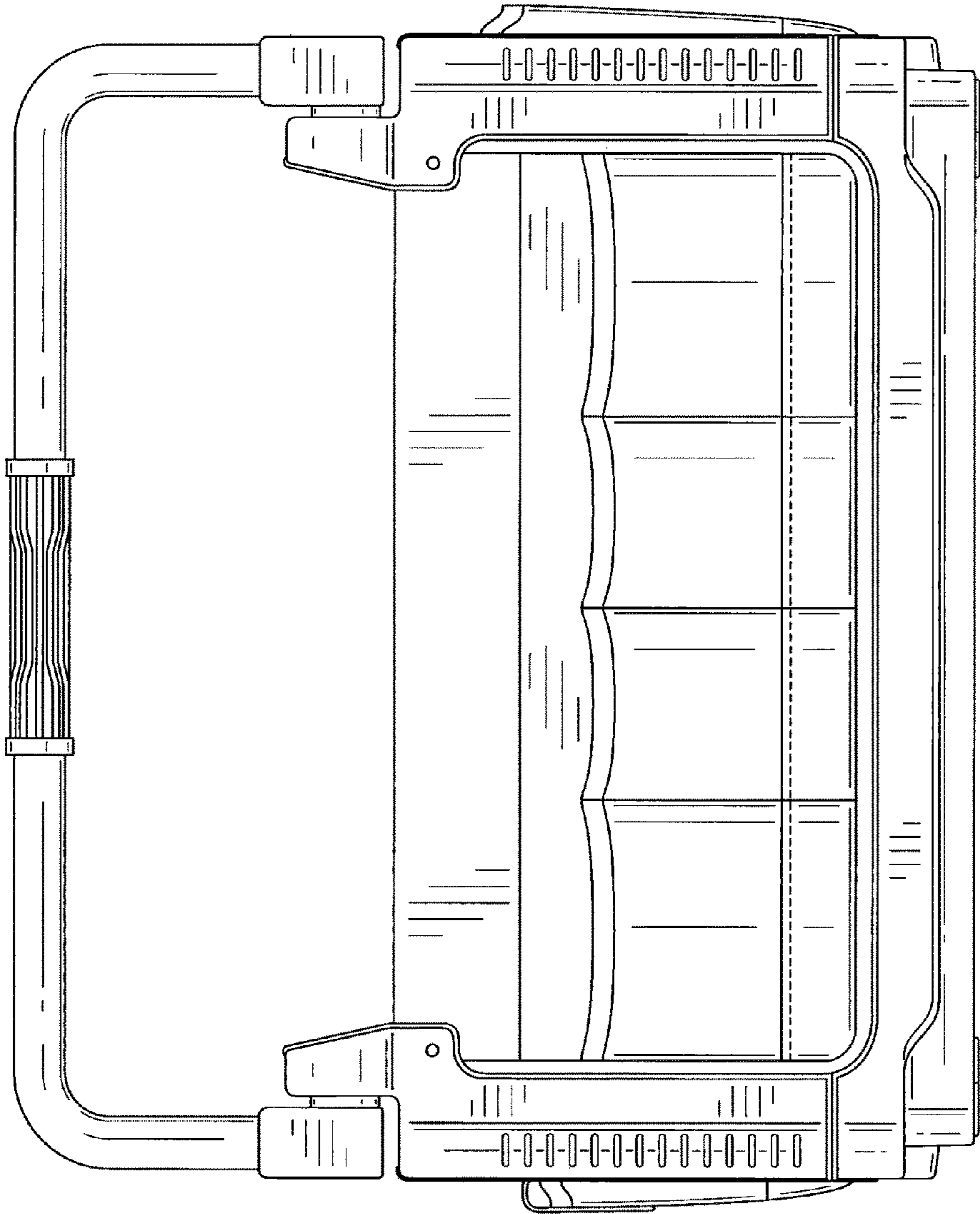


FIG. 3

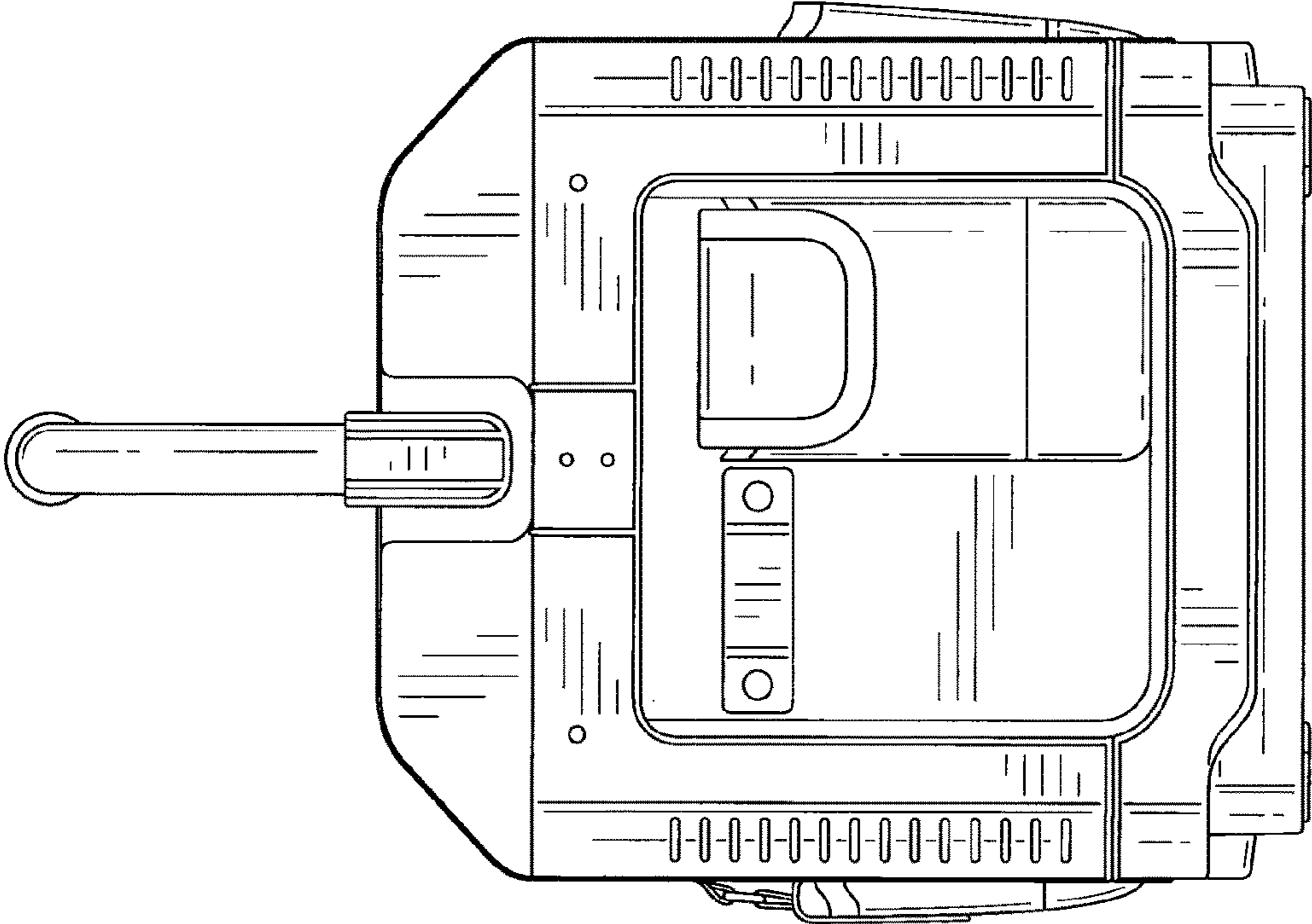


FIG. 5

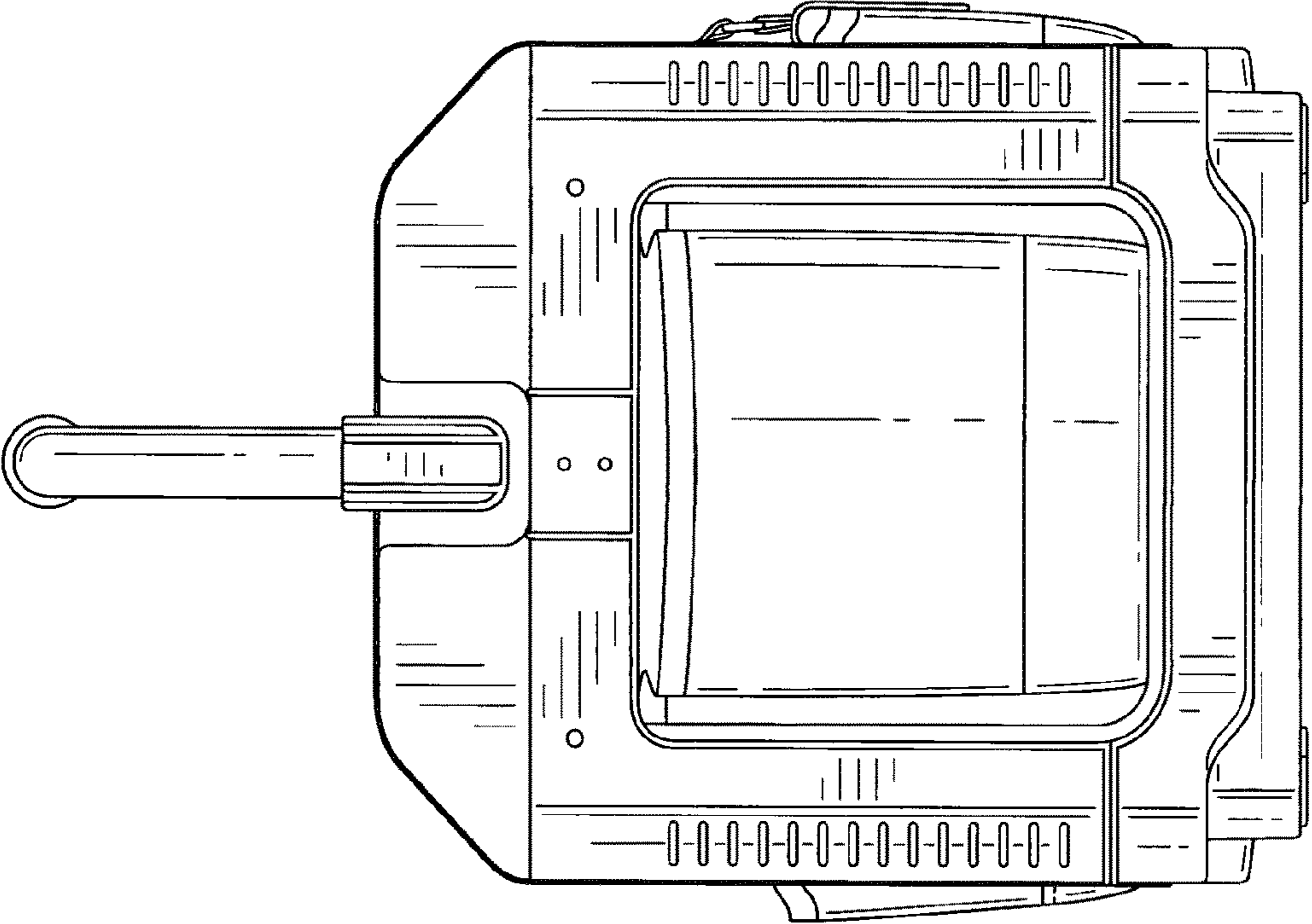


FIG. 4

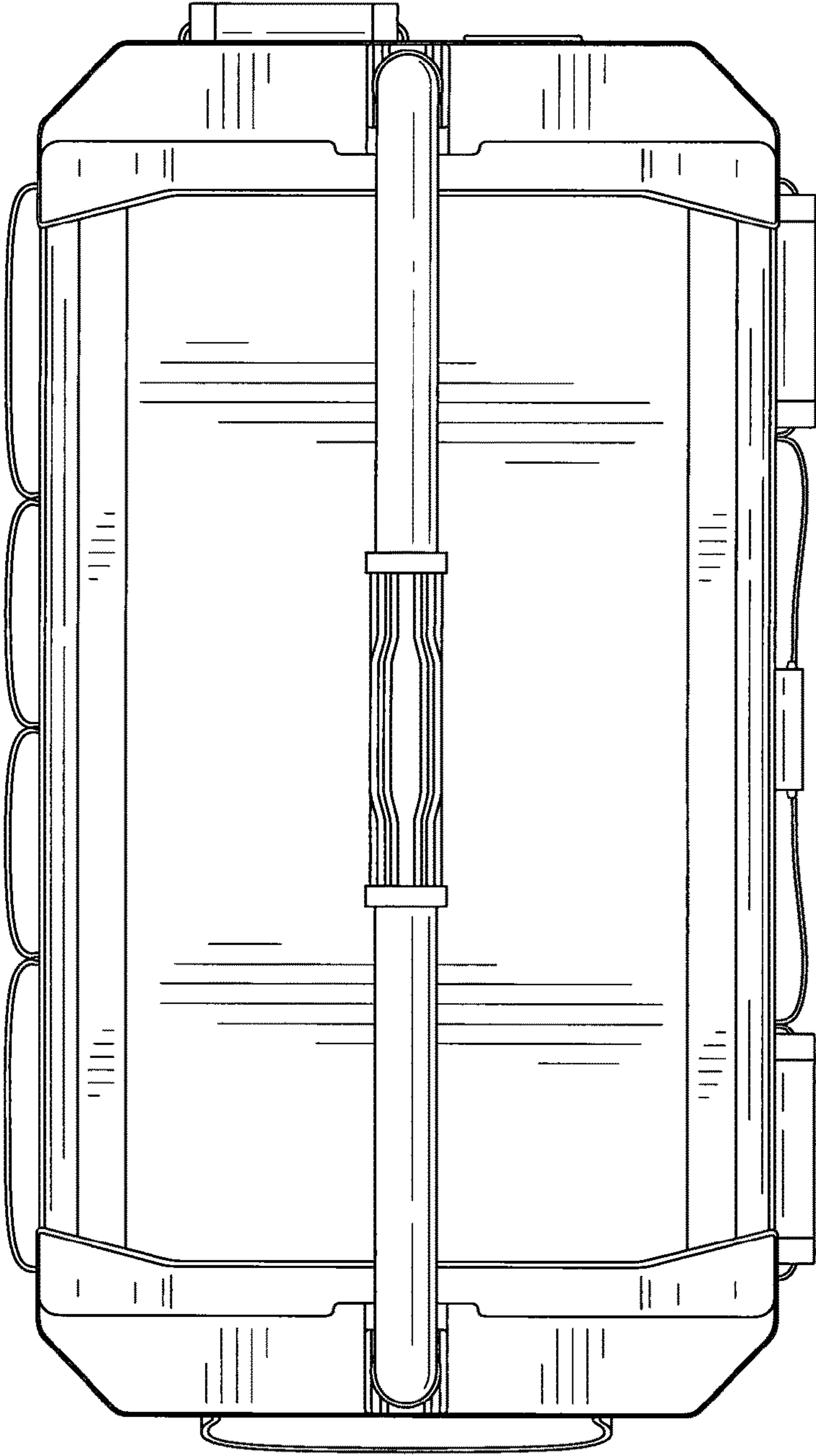


FIG. 6

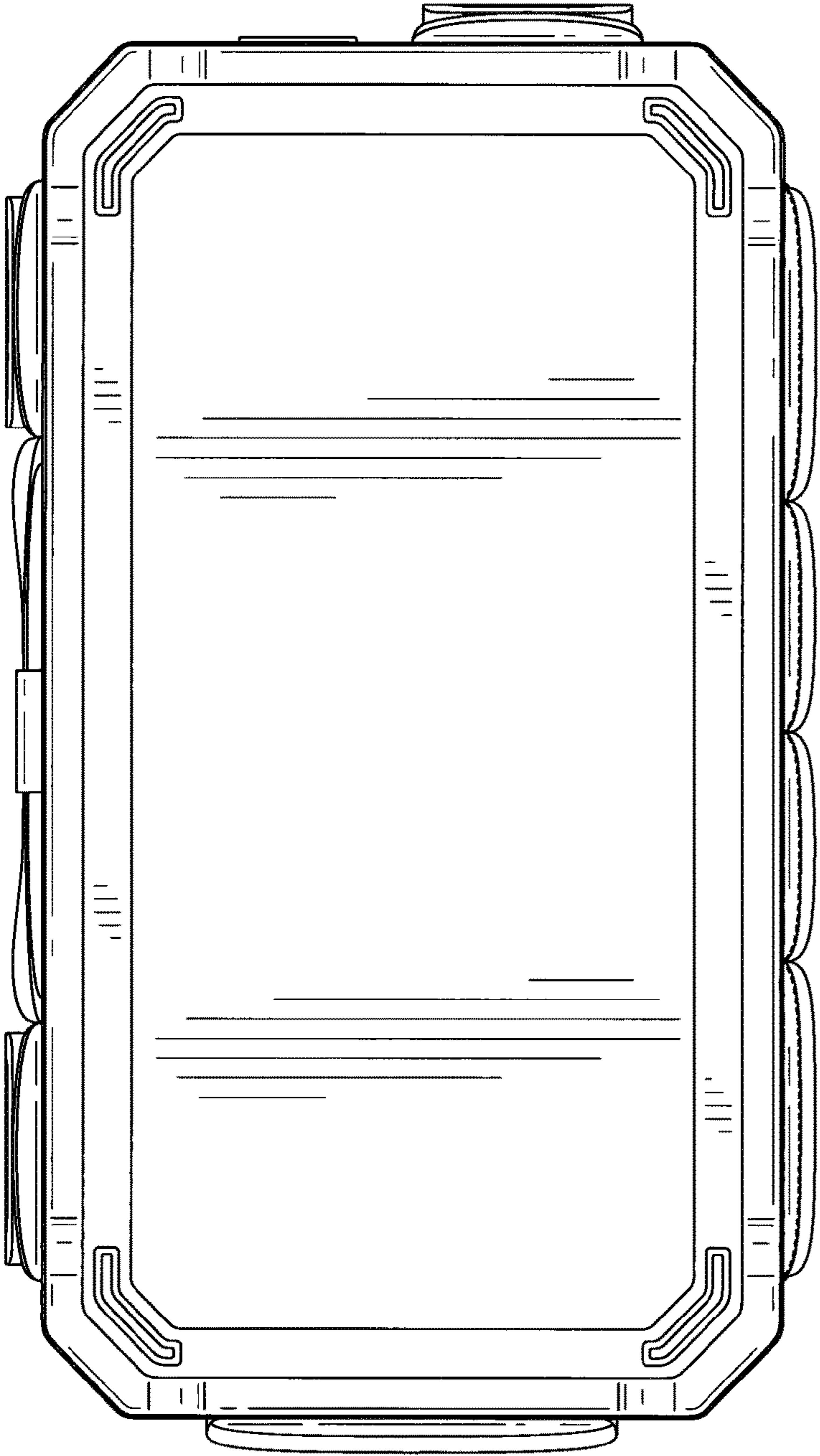


FIG. 7